



SECTION	PAGE
PROGRAM GUIDE . . . . .	3 -8
APPLICATION GUIDE . . . . .	9-217
UNIVERSAL FIT BUYER'S GUIDE . . . . .	219-220
DIRECT FIT BUYER'S GUIDE . . . . .	221-280
TOOLS & ACCESSORIES . . . . .	281-283

## INDEX OF ABBREVIATIONS

Abbreviation	Description	Abbreviation	Description
2WD	Two Wheel Drive	Fr.	From
4WD	Four Wheel Drive	GVW	Gross Vehicle Weight
A/C	Air Conditioning	LH	Left-hand drive
ABS	Anti-lock Braking System	M/T	Manual Transmission
AWD	All Wheel Drive	No.	Number
A/T	Automatic Transmission	P/S	Power Steering
Bosch F.I.	Bosch Fuel Injection	Prod.	Production
Cat.	Catalytic Converter	RH	Right-hand drive
CEE	Central & Eastern Europe	S.W.	Station Wagon
Ch.	Chassis	VIN	Vehicle Identification Number
Cyl	Cylinder	VVC	Variable Valve Control
Eng.	Engine	Weber F.I.	Weber Fuel Injection
EGR	Exhaust Gas Recirculation	w/	With
EES	Exhaust Emission Standard	w/o	Without

OUR CATALOGS HAVE BEEN CAREFULLY COMPILED & CHECKED WITH VEHICLE MANUFACTURER'S PARTS INFORMATION. THESE CATALOGS ARE ISSUED FOR YOUR CONVENIENCE, AS AN AID TO SALES. NO RESPONSIBILITY CAN BE ASSUMED SHOULD SOME REFERENCE PROVE TO BE INACCURATE. ALL MANUFACTURER'S NAMES, NUMBERS, SYMBOLS & DESCRIPTIONS ARE USED FOR REFERENCE ONLY. IT IS ALSO NOT IMPLIED THAT ANY PART LISTED IS THE DIRECT PRODUCT OF THE O.E.M. MANUFACTURER.



Walker

Walker

Walker



Direct Fit Part Number	Description	Number Wires	Length mm	Universal Part Number	Direct Fit Part Number	Description	Number Wires	Length mm	Universal Part Number
250-21000	Universal	1	210	No Univ.	250-24019	Heated	4	375	250-24000
250-21001	Unheated	1	460	250-21000	250-24020	Heated	4	300	No Univ.
250-21007	Unheated	1	775	250-21000	250-24021	Heated	4	1425	No Univ.
250-21009	Unheated	1	480	250-21000	250-24024	Heated	4	630	No Univ.
250-21013	Unheated	1	270	250-21000	250-24026	Heated	4	985	No Univ.
250-21028	Unheated	1	400	250-21000	250-24034	Heated	4	760	No Univ.
250-21031	Unheated	1	410	250-21000	250-24038	Heated	4	350	No Univ.
250-21037	Unheated	1	480	250-21000	250-24044	Heated	4	640	No Univ.
250-21038	Unheated	1	320	250-21000	250-24049	Heated	4	325	250-24400
250-21053	Unheated	1	325	250-21050	250-24052	Heated	4	530	250-24050
250-21061	Unheated	1	450	250-21000	250-24060	Heated	4	520	250-24200
250-21066	Unheated	1	750	No Univ.	250-24066	Heated	4	625	No Univ.
250-22003	Unheated	2	480	250-22000	250-24067	Heated	4	480	No Univ.
250-22008	Unheated	2	600	250-22000	250-24070	Heated	4	765	250-24400
250-22014	Unheated	2	505	250-22000	250-24074	Heated	4	300	250-24400
250-22052	Unheated	2	425	250-22050	250-24075	Heated	4	1290	250-24400
250-22058	Unheated	2	300	250-22000	250-24076	Heated	4	600	250-24400
250-22060	Unheated	2	390	250-22000	250-24077	Heated	4	375	250-24400
250-22063	Unheated	2	375	250-22000	250-24078	Heated	4	400	250-24400
250-22076	Unheated	2	325	No Univ.	250-24079	Heated	4	465	250-24400
250-23000	Universal	3	210	No Univ.	250-24080	Heated	4	465	250-24400
250-23003	Heated	3	325	No Univ.	250-24081	Heated	4	310	250-24400
250-23004	Heated	3	390	250-23000	250-24082	Heated	4	910	250-24400
250-23005	Heated	3	325	No Univ.	250-24083	Heated	4	630	No Univ.
250-23011	Heated	3	325	250-23000	250-24086	Heated	4	380	250-24400
250-23019	Heated	3	985	No Univ.	250-24087	Heated	4	425	250-24000
250-23023	Heated	3	580	No Univ.	250-24093	Heated	4	580	No Univ.
250-23028	Heated	3	710	No Univ.	250-24099	Heated	4	425	No Univ.
250-23032	Heated	3	505	No Univ.	250-24100	Heated	4	460	250-24200
250-23048	Heated	3	1215	No Univ.	250-24101	Heated	4	1265	No Univ.
250-23067	Heated	3	325	No Univ.	250-24102	Heated	4	910	No Univ.
250-23075	Heated	3	275	No Univ.	250-24103	Heated	4	300	No Univ.
250-23079	Heated	3	1100	No Univ.	250-24106	Heated	4	580	250-24200
250-23083	Heated	3	460	250-23000	250-24107	Heated	4	350	250-24200
250-23084	Heated	3	370	250-23000	250-24109	Heated	4	505	No Univ.
250-23087	Heated	3	600	No Univ.	250-24113	Heated	4	400	No Univ.
250-23088	Heated	3	450	No Univ.	250-24115	Heated	4	300	250-24200
250-23089	Heated	3	450	No Univ.	250-24117	Heated	4	450	250-24200
250-23091	Heated	3	400	250-23000	250-24119	Heated	4	985	No Univ.
250-23093	Heated	3	1850	No Univ.	250-24121	Heated	4	650	No Univ.
250-23102	Heated	3	800	No Univ.	250-24123	Heated	4	740	250-24200
250-23103	Heated	3	175	No Univ.	250-24125	Heated	4	555	No Univ.
250-23104	Heated	3	755	No Univ.	250-24127	Heated	4	500	250-24400
250-23106	Heated	3	885	No Univ.	250-24128	Heated	4	810	250-24400
250-23109	Heated	3	935	No Univ.	250-24132	Heated	4	1140	No Univ.
250-23113	Heated	3	425	No Univ.	250-24133	Heated	4	890	No Univ.
250-23121	Heated	3	390	No Univ.	250-24134	Heated	4	480	No Univ.
250-23122	Heated	3	915	No Univ.	250-24135	Heated	4	740	No Univ.
250-23126	Heated	3	575	250-23000	250-24137	Heated	4	800	250-24200
250-23129	Heated	3	260	No Univ.	250-24138	Heated	4	730	250-24000
250-23131	Heated	3	500	No Univ.	250-24140	Heated	4	275	No Univ.
250-23133	Heated	3	680	No Univ.	250-24141	Heated	4	620	No Univ.
250-23135	Heated	3	940	No Univ.	250-24143	Heated	4	820	No Univ.
250-23138	Heated	3	920	250-23000	250-24144	Heated	4	600	No Univ.
250-23141	Heated	3	420	No Univ.	250-24145	Heated	4	1695	No Univ.
250-23143	Heated	3	810	No Univ.	250-24146	Heated	4	1140	No Univ.
250-23146	Heated	3	1225	250-23000	250-24147	Heated	4	740	No Univ.
250-23505	Heated	3	480	No Univ.	250-24153	Heated	4	555	250-24250
250-23521	Heated	3	485	No Univ.	250-24154	Heated	4	410	250-24250
250-23816	Heated	3	985	No Univ.	250-24155	Heated	4	655	250-24250
250-23828	Heated	3	375	250-23000	250-24157	Heated	4	275	No Univ.
250-24000	Universal	4	210	No Univ.	250-24163	Heated	4	1100	No Univ.
250-24001	Heated	4	400	250-24400	250-24169	Heated	4	275	No Univ.
250-24002	Heated	4	490	250-24400	250-24172	Heated	4	810	250-24000
250-24003	Heated	4	605	250-24400	250-24177	Heated	4	1750	No Univ.
250-24004	Heated	4	300	250-24400	250-24178	Heated	4	540	No Univ.
250-24009	Heated	4	220	250-24400	250-24180	Heated	4	980	No Univ.
250-24011	Heated	4	300	No Univ.	250-24189	Heated	4	605	250-24200
250-24012	Heated	4	375	250-24000	250-24190	Heated	4	300	No Univ.
250-24015	Heated	4	375	250-24400	250-24193	Heated	4	605	No Univ.
250-24017	Heated	4	555	No Univ.	250-24194	Heated	4	885	No Univ.
250-24018	Heated	4	375	No Univ.	250-24198	Heated	4	1165	No Univ.



Direct Fit Part Number	Description	Number Wires	Length mm	Universal Part Number	Direct Fit Part Number	Description	Number Wires	Length mm	Universal Part Number
250-24202	Heated	4	550	250-24000	250-24349	Heated	4	375	No Univ.
250-24220	Heated	4	240	No Univ.	250-24353	Heated	4	1045	No Univ.
250-24224	Heated	4	550	No Univ.	250-24354	Heated	4	760	250-24200
250-24225	Heated	4	480	No Univ.	250-24355	Heated	4	430	No Univ.
250-24226	Heated	4	705	No Univ.	250-24356	Heated	4	425	No Univ.
250-24229	Heated	4	325	No Univ.	250-24360	Heated	4	350	No Univ.
250-24230	Heated	4	475	No Univ.	250-24368	Heated	4	575	No Univ.
250-24231	Heated	4	385	No Univ.	250-24372	Heated	4	350	No Univ.
250-24232	Heated	4	610	No Univ.	250-24373	Heated	4	445	No Univ.
250-24233	Heated	4	470	No Univ.	250-24374	Heated	4	600	No Univ.
250-24234	Heated	4	325	No Univ.	250-24376	Heated	4	610	250-24400
250-24235	Heated	4	675	No Univ.	250-24380	Heated	4	360	No Univ.
250-24236	Heated	4	800	No Univ.	250-24381	Heated	4	575	No Univ.
250-24239	Heated	4	585	No Univ.	250-24382	Heated	4	1495	No Univ.
250-24240	Heated	4	725	No Univ.	250-24383	Heated	4	820	No Univ.
250-24242	Heated	4	780	No Univ.	250-24384	Heated	4	440	No Univ.
250-24243	Heated	4	550	250-24200	250-24387	Heated	4	630	No Univ.
250-24244	Heated	4	1125	250-24200	250-24388	Heated	4	535	No Univ.
250-24248	Heated	4	400	No Univ.	250-24389	Heated	4	310	250-24200
250-24249	Heated	4	350	No Univ.	250-24390	Heated	4	740	No Univ.
250-24251	Heated	4	460	No Univ.	250-24391	Heated	4	650	No Univ.
250-24252	Heated	4	650	No Univ.	250-24392	Heated	4	990	No Univ.
250-24253	Heated	4	400	No Univ.	250-24393	Heated	4	400	No Univ.
250-24254	Heated	4	300	No Univ.	250-24394	Heated	4	870	No Univ.
250-24255	Heated	4	450	No Univ.	250-24395	Heated	4	620	No Univ.
250-24256	Heated	4	465	No Univ.	250-24397	Heated	4	560	250-24000
250-24257	Heated	4	465	No Univ.	250-24398	Heated	4	320	No Univ.
250-24258	Heated	4	300	No Univ.	250-24400	Universal	4	210	No Univ.
250-24259	Heated	4	460	No Univ.	250-24401	Heated	4	740	No Univ.
250-24260	Heated	4	300	No Univ.	250-24403	Heated	4	480	No Univ.
250-24265	Heated	4	430	No Univ.	250-24407	Heated	4	605	No Univ.
250-24267	Heated	4	460	250-24200	250-24408	Heated	4	810	No Univ.
250-24269	Heated	4	400	250-24200	250-24409	Heated	4	770	No Univ.
250-24273	Heated	4	310	No Univ.	250-24410	Heated	4	1640	No Univ.
250-24274	Heated	4	550	No Univ.	250-24411	Heated	4	660	No Univ.
250-24275	Heated	4	1425	250-24000	250-24412	Heated	4	460	No Univ.
250-24276	Heated	4	465	No Univ.	250-24413	Heated	4	325	No Univ.
250-24277	Heated	4	510	250-24250	250-24414	Heated	4	1690	No Univ.
250-24280	Heated	4	325	No Univ.	250-24415	Heated	4	890	No Univ.
250-24283	Heated	4	375	No Univ.	250-24417	Heated	4	1440	No Univ.
250-24284	Heated	4	920	No Univ.	250-24418	Heated	4	1005	No Univ.
250-24285	Heated	4	900	No Univ.	250-24419	Heated	4	610	No Univ.
250-24286	Heated	4	1005	No Univ.	250-24420	Heated	4	360	No Univ.
250-24290	Heated	4	455	No Univ.	250-24422	Heated	4	450	No Univ.
250-24294	Heated	4	385	No Univ.	250-24423	Heated	4	260	No Univ.
250-24295	Heated	4	465	No Univ.	250-24425	Heated	4	1265	No Univ.
250-24298	Heated	4	490	250-24200	250-24427	Heated	4	1530	No Univ.
250-24301	Heated	4	400	No Univ.	250-24428	Heated	4	970	No Univ.
250-24302	Heated	4	500	No Univ.	250-24429	Heated	4	540	No Univ.
250-24305	Heated	4	480	250-24200	250-24430	Heated	4	1620	No Univ.
250-24307	Heated	4	665	No Univ.	250-24431	Heated	4	700	No Univ.
250-24308	Heated	4	375	No Univ.	250-24432	Heated	4	940	No Univ.
250-24312	Heated	4	270	No Univ.	250-24434	Heated	4	360	No Univ.
250-24314	Heated	4	305	No Univ.	250-24435	Heated	4	1220	No Univ.
250-24315	Heated	4	520	250-24400	250-24437	Heated	4	365	No Univ.
250-24316	Heated	4	305	No Univ.	250-24438	Heated	4	220	No Univ.
250-24317	Heated	4	460	No Univ.	250-24439	Heated	4	550	No Univ.
250-24319	Heated	4	305	No Univ.	250-24440	Heated	4	700	No Univ.
250-24321	Heated	4	1100	250-24200	250-24444	Heated	4	900	No Univ.
250-24332	Heated	4	375	No Univ.	250-24445	Heated	4	820	No Univ.
250-24333	Heated	4	610	No Univ.	250-24446	Heated	4	600	No Univ.
250-24334	Heated	4	1250	250-24200	250-24447	Heated	4	550	No Univ.
250-24335	Heated	4	635	250-24200	250-24448	Heated	4	380	No Univ.
250-24336	Heated	4	725	No Univ.	250-24449	Heated	4	1215	No Univ.
250-24338	Heated	4	400	250-24200	250-24450	Heated	4	530	No Univ.
250-24339	Heated	4	450	250-24200	250-24451	Heated	4	910	No Univ.
250-24340	Heated	4	320	250-24000	250-24452	Heated	4	370	No Univ.
250-24341	Heated	4	400	No Univ.	250-24453	Heated	4	470	No Univ.
250-24342	Heated	4	425	No Univ.	250-24455	Heated	4	475	No Univ.
250-24343	Heated	4	480	No Univ.	250-24457	Heated	4	360	No Univ.
250-24345	Heated	4	320	No Univ.	250-24460	Heated	4	475	No Univ.
250-24346	Heated	4	500	No Univ.	250-24461	Heated	4	460	No Univ.





Direct Fit Part Number	Description	Number Wires	Length mm	Universal Part Number	Direct Fit Part Number	Description	Number Wires	Length mm	Universal Part Number
250-24462	Heated	4	525	No Univ.	250-24591	Heated	4	780	No Univ.
250-24463	Heated	4	590	No Univ.	250-24592	Heated	4	300	No Univ.
250-24464	Heated	4	425	No Univ.	250-24593	Heated	4	330	No Univ.
250-24465	Heated	4	500	No Univ.	250-24594	Heated	4	660	No Univ.
250-24466	Heated	4	750	No Univ.	250-24595	Heated	4	1170	No Univ.
250-24468	Heated	4	900	No Univ.	250-24596	Heated	4	1850	No Univ.
250-24469	Heated	4	470	No Univ.	250-24598	Heated	4	975	No Univ.
250-24470	Heated	4	420	250-24400	250-24601	Heated	4	860	No Univ.
250-24473	Heated	4	350	No Univ.	250-24605	Heated	4	330	No Univ.
250-24474	Heated	4	1230	No Univ.	250-24609	Heated	4	325	No Univ.
250-24475	Heated	4	620	No Univ.	250-24610	Heated	4	480	No Univ.
250-24476	Heated	4	1070	No Univ.	250-24611	Heated	4	350	No Univ.
250-24478	Heated	4	1120	No Univ.	250-24613	Heated	4	750	No Univ.
250-24479	Heated	4	550	No Univ.	250-24614	Heated	4	850	250-24400
250-24482	Heated	4	875	No Univ.	250-24616	Heated	4	1720	250-24000
250-24483	Heated	4	760	No Univ.	250-24617	Heated	4	1140	250-24000
250-24484	Heated	4	620	No Univ.	250-24620	Heated	4	340	No Univ.
250-24485	Heated	4	400	No Univ.	250-24621	Heated	4	475	No Univ.
250-24486	Heated	4	540	No Univ.	250-24623	Heated	4	680	No Univ.
250-24487	Heated	4	400	250-24400	250-24631	Heated	4	725	No Univ.
250-24488	Heated	4	580	No Univ.	250-24632	Heated	4	1165	No Univ.
250-24489	Heated	4	350	No Univ.	250-24633	Heated	4	700	No Univ.
250-24490	Heated	4	425	250-24200	250-24638	Heated	4	450	No Univ.
250-24491	Heated	4	380	No Univ.	250-24641	Heated	4	1020	No Univ.
250-24492	Heated	4	550	No Univ.	250-24647	Heated	4	400	No Univ.
250-24493	Heated	4	1500	No Univ.	250-24648	Heated	4	575	No Univ.
250-24494	Heated	4	900	No Univ.	250-24649	Heated	4	520	No Univ.
250-24495	Heated	4	465	No Univ.	250-24650	Heated	4	260	No Univ.
250-24496	Heated	4	470	No Univ.	250-24651	Heated	4	320	No Univ.
250-24497	Heated	4	420	No Univ.	250-24652	Heated	4	680	No Univ.
250-24498	Heated	4	580	No Univ.	250-24653	Heated	4	550	No Univ.
250-24499	Heated	4	620	No Univ.	250-24654	Heated	4	480	No Univ.
250-24501	Heated	4	500	No Univ.	250-24656	Heated	4	400	No Univ.
250-24510	Heated	4	1390	No Univ.	250-24657	Heated	4	1140	No Univ.
250-24512	Heated	4	530	No Univ.	250-24658	Heated	4	730	No Univ.
250-24516	Heated	4	400	250-24882	250-24659	Heated	4	1210	No Univ.
250-24517	Heated	4	410	No Univ.	250-24660	Heated	4	460	No Univ.
250-24518	Heated	4	640	No Univ.	250-24661	Heated	4	800	No Univ.
250-24524	Heated	4	985	No Univ.	250-24662	Heated	4	460	No Univ.
250-24526	Heated	4	1060	No Univ.	250-24665	Heated	4	400	No Univ.
250-24527	Heated	4	1240	No Univ.	250-24666	Heated	4	820	No Univ.
250-24530	Heated	4	1170	No Univ.	250-24667	Heated	4	300	No Univ.
250-24531	Heated	4	630	No Univ.	250-24669	Heated	4	1000	No Univ.
250-24533	Heated	4	500	No Univ.	250-24670	Heated	4	1000	No Univ.
250-24534	Heated	4	650	No Univ.	250-24671	Heated	4	800	No Univ.
250-24535	Heated	4	680	No Univ.	250-24672	Heated	4	800	No Univ.
250-24536	Heated	4	400	No Univ.	250-24674	Heated	4	450	No Univ.
250-24538	Heated	4	620	No Univ.	250-24675	Heated	4	475	No Univ.
250-24541	Heated	4	760	No Univ.	250-24678	Heated	4	460	No Univ.
250-24542	Heated	4	890	No Univ.	250-24679	Heated	4	480	No Univ.
250-24543	Heated	4	1055	No Univ.	250-24680	Heated	4	325	No Univ.
250-24546	Heated	4	650	No Univ.	250-24682	Heated	4	775	No Univ.
250-24547	Heated	4	550	No Univ.	250-24684	Heated	4	550	No Univ.
250-24549	Heated	4	280	No Univ.	250-24685	Heated	4	1130	No Univ.
250-24552	Heated	4	735	No Univ.	250-24686	Heated	4	500	No Univ.
250-24555	Heated	4	1020	No Univ.	250-24687	Heated	4	480	No Univ.
250-24558	Heated	4	730	No Univ.	250-24688	Heated	4	750	No Univ.
250-24560	Heated	4	505	No Univ.	250-24689	Heated	4	1900	No Univ.
250-24563	Heated	4	1500	No Univ.	250-24690	Heated	4	1900	No Univ.
250-24564	Heated	4	400	No Univ.	250-24692	Heated	4	470	No Univ.
250-24568	Heated	4	470	No Univ.	250-24693	Heated	4	580	No Univ.
250-24569	Heated	4	730	No Univ.	250-24695	Heated	4	630	No Univ.
250-24570	Heated	4	770	No Univ.	250-24696	Heated	4	2030	No Univ.
250-24573	Heated	4	300	No Univ.	250-24697	Heated	4	1700	No Univ.
250-24574	Heated	4	1720	No Univ.	250-24698	Heated	4	500	No Univ.
250-24577	Heated	4	1080	No Univ.	250-24699	Heated	4	525	No Univ.
250-24578	Heated	4	270	No Univ.	250-24701	Heated	4	450	250-24200
250-24582	Heated	4	1000	No Univ.	250-24703	Heated	4	430	No Univ.
250-24584	Heated	4	330	No Univ.	250-24704	Heated	4	420	No Univ.
250-24585	Heated	4	470	No Univ.	250-24705	Heated	4	1190	No Univ.
250-24589	Heated	4	980	No Univ.	250-24706	Heated	4	630	No Univ.
250-24590	Heated	4	540	No Univ.	250-24707	Heated	4	750	No Univ.



Direct Fit Part Number	Description	Number Wires	Length mm	Universal Part Number	Direct Fit Part Number	Description	Number Wires	Length mm	Universal Part Number
250-24708	Heated	4	400	No Univ.	250-24817	Heated	4	735	No Univ.
250-24709	Heated	4	900	No Univ.	250-24818	Heated	4	860	No Univ.
250-24711	Heated	4	600	No Univ.	250-24820	Heated	4	915	No Univ.
250-24713	Heated	4	600	No Univ.	250-24823	Heated	4	1080	No Univ.
250-24714	Heated	4	250	No Univ.	250-24829	Heated	4	480	No Univ.
250-24715	Heated	4	925	No Univ.	250-24830	Heated	4	325	No Univ.
250-24717	Heated	4	1300	No Univ.	250-24836	Heated	4	350	No Univ.
250-24718	Heated	4	775	No Univ.	250-24837	Heated	4	650	No Univ.
250-24719	Heated	4	575	No Univ.	250-24839	Heated	4	800	No Univ.
250-24721	Heated	4	400	No Univ.	250-24840	Heated	4	925	No Univ.
250-24722	Heated	4	825	No Univ.	250-24841	Heated	4	350	No Univ.
250-24724	Heated	4	1350	No Univ.	250-24842	Heated	4	725	No Univ.
250-24725	Heated	4	450	No Univ.	250-24843	Heated	4	1225	No Univ.
250-24726	Heated	4	1325	No Univ.	250-25001	Wide Band	5	425	No Univ.
250-24728	Heated	4	675	No Univ.	250-25002	Wide Band	5	600	No Univ.
250-24729	Heated	4	975	No Univ.	250-25003	Wide Band	5	900	No Univ.
250-24730	Heated	4	500	No Univ.	250-25004	Wide Band	5	1450	No Univ.
250-24731	Heated	4	1275	No Univ.	250-25005	Wide Band	5	600	No Univ.
250-24733	Heated	4	750	No Univ.	250-25006	Wide Band	5	1200	No Univ.
250-24734	Heated	4	1100	No Univ.	250-25007	Wide Band	5	850	No Univ.
250-24736	Heated	4	400	No Univ.	250-25008	Wide Band	5	1500	No Univ.
250-24739	Heated	4	475	No Univ.	250-25009	Wide Band	5	780	No Univ.
250-24740	Heated	4	850	No Univ.	250-25010	Wide Band	5	565	No Univ.
250-24741	Heated	4	475	No Univ.	250-25011	Wide Band	5	1310	No Univ.
250-24742	Heated	4	925	No Univ.	250-25015	Wide Band	5	850	No Univ.
250-24743	Heated	4	800	No Univ.	250-25017	Wide Band	5	600	No Univ.
250-24744	Heated	4	800	No Univ.	250-25018	Wide Band	5	1525	No Univ.
250-24745	Heated	4	675	No Univ.	250-25019	Wide Band	5	525	No Univ.
250-24746	Heated	4	350	No Univ.	250-25020	Wide Band	5	1775	No Univ.
250-24748	Heated	4	1250	No Univ.	250-25021	Wide Band	5	1900	No Univ.
250-24749	Heated	4	280	No Univ.	250-25025	Wide Band	5	475	No Univ.
250-24750	Heated	4	525	No Univ.	250-25026	Wide Band	5	900	No Univ.
250-24751	Heated	4	925	No Univ.	250-25027	Wide Band	5	925	No Univ.
250-24752	Heated	4	725	No Univ.	250-25029	Wide Band	5	500	No Univ.
250-24753	Heated	4	500	No Univ.	250-25030	Wide Band	5	475	No Univ.
250-24755	Heated	4	975	No Univ.	250-25031	Wide Band	5	1450	No Univ.
250-24756	Heated	4	750	No Univ.	250-25032	Wide Band	5	1275	No Univ.
250-24757	Heated	4	400	No Univ.	250-25033	Wide Band	5	900	No Univ.
250-24758	Heated	4	700	No Univ.	250-25034	Wide Band	5	400	No Univ.
250-24759	Heated	4	400	No Univ.	250-25035	Wide Band	5	725	No Univ.
250-24760	Heated	4	675	No Univ.	250-25036	Wide Band	5	1025	No Univ.
250-24761	Heated	4	750	No Univ.	250-25037	Wide Band	5	1325	No Univ.
250-24762	Heated	4	1175	No Univ.	250-25038	Wide Band	5	400	No Univ.
250-24763	Heated	4	700	No Univ.	250-25039	Wide Band	5	725	No Univ.
250-24764	Heated	4	675	No Univ.	250-25040	Wide Band	5	750	No Univ.
250-24766	Heated	4	500	No Univ.	250-25042	Wide Band	5	450	No Univ.
250-24767	Heated	4	850	No Univ.	250-25043	Wide Band	5	550	No Univ.
250-24768	Heated	4	525	No Univ.	250-25044	Wide Band	5	700	No Univ.
250-24770	Heated	4	250	No Univ.	250-25045	Wide Band	5	825	No Univ.
250-24771	Heated	4	300	No Univ.	250-25046	Wide Band	5	1050	No Univ.
250-24773	Heated	4	325	No Univ.	250-25047	Wide Band	5	1200	No Univ.
250-24775	Heated	4	625	No Univ.	250-25048	Wide Band	5	1300	No Univ.
250-24776	Heated	4	475	No Univ.	250-25053	Wide Band	5	1050	No Univ.
250-24777	Heated	4	480	No Univ.	250-25041	Wide Band	5	1325	No Univ.
250-24778	Heated	4	350	No Univ.	250-25054	Wide Band	5	1000	No Univ.
250-24781	Heated	4	275	No Univ.	250-25055	Wide Band	5	425	No Univ.
250-24783	Heated	4	650	No Univ.	250-25056	Wide Band	5	300	No Univ.
250-24784	Heated	4	550	No Univ.	250-54002	Air Fuel	4	520	No Univ.
250-24785	Heated	4	550	No Univ.	250-54003	Air Fuel	4	450	No Univ.
250-24786	Heated	4	350	No Univ.	250-54004	Air Fuel	4	790	No Univ.
250-24789	Heated	4	475	No Univ.	250-54005	Air Fuel	4	335	No Univ.
250-24790	Heated	4	575	No Univ.	250-54006	Air Fuel	4	400	No Univ.
250-24792	Heated	4	575	No Univ.	250-54007	Air Fuel	4	510	No Univ.
250-24793	Heated	4	525	No Univ.	250-54008	Air Fuel	4	240	No Univ.
250-24794	Heated	4	475	No Univ.	250-54009	Air Fuel	4	630	No Univ.
250-24797	Heated	4	500	No Univ.	250-54010	Air Fuel	4	525	No Univ.
250-24798	Heated	4	600	No Univ.	250-54011	Air Fuel	4	560	No Univ.
250-24803	Heated	4	825	No Univ.	250-54013	Air Fuel	4	350	No Univ.
250-24804	Heated	4	520	No Univ.	250-54014	Air Fuel	4	425	No Univ.
250-24806	Heated	4	705	No Univ.	250-54015	Air Fuel	4	380	No Univ.
250-24810	Heated	4	990	No Univ.	250-54018	Air Fuel	4	450	No Univ.
250-24814	Heated	4	530	No Univ.	250-54022	Air Fuel	4	610	No Univ.



Direct Fit Part Number	Description	Number Wires	Length mm	Universal Part Number	Direct Fit Part Number	Description	Number Wires	Length mm	Universal Part Number
250-54023	Air Fuel	4	525	No Univ.					
250-54025	Air Fuel	4	960	No Univ.					
250-54026	Air Fuel	4	630	No Univ.					
250-54027	Air Fuel	4	575	No Univ.					
250-54028	Air Fuel	4	475	No Univ.					
250-54029	Air Fuel	4	460	No Univ.					
250-54031	Air Fuel	4	550	No Univ.					
250-54032	Air Fuel	4	325	No Univ.					
250-54034	Air Fuel	4	400	No Univ.					
250-54035	Air Fuel	4	375	No Univ.					
250-54036	Air Fuel	4	350	No Univ.					
250-54037	Air Fuel	4	400	No Univ.					
250-54038	Air Fuel	4	350	No Univ.					
250-54039	Air Fuel	4	625	No Univ.					
250-54040	Air Fuel	4	425	No Univ.					
250-54041	Air Fuel	4	275	No Univ.					
250-54051	Air Fuel	4	310	No Univ.					
250-54052	Air Fuel	4	420	No Univ.					
250-54054	Air Fuel	4	350	No Univ.					
250-54055	Air Fuel	4	350	No Univ.					





Walker

Walker

Walker



Model / Liter	Body Code	Engine kW	Engine Code	Application Identifier Engine or Chassis	Year From → To	Position	Walker Direct Fit
<b>ACURA</b>							
<b>MDX</b>							
3.5		179			01.01 -> 12.02	Pre cat	250-24346
		194			01.01 -> 12.02	Post cat	250-24601
					01.03 -> 12.06	Pre cat Front	250-25001
					01.03 -> 12.06	Pre cat Rear	250-25001
					01.03 -> 12.06	Post cat Front	250-24346
					01.03 -> 12.06	Post cat Rear	250-24391
<b>RDX</b>							
2.3		179	K23A1		01.07 -> 12.08	Pre cat	250-54038
			K23A1		01.07 -> 12.08	Post cat	250-24785
<b>RSX</b>							
2.0		119		A/T	01.02 -> 12.04	Pre cat	250-54014
				A/T	01.02 -> 12.04	Post cat	250-24429
				M/T	01.02 -> 12.04	Pre cat	250-54013
				M/T	01.02 -> 12.04	Post cat	250-24429
					01.05 -> 12.06	Pre cat	250-54023
					01.05 -> 12.06	Post cat	250-24446
2.3			K23A1		01.07 -> 12.08	Pre cat	250-54038
			K23A1		01.07 -> 12.08	Post cat	250-24785
<b>SLX</b>							
3.2		142	6VD1		01.96 -> 12.97	Pre cat Front	250-24012
			6VD1		01.96 -> 12.97	Pre cat Rear	250-24012
<b>ALFA ROMEO</b>							
<b>145</b>							
1.4 i.e.	930	66	AR33501		09.94 -> 12.96		250-23816
1.4 i.e. 16V T.S.	930	76	AR33503	To Ch. No. 3148498	12.96 -> 01.01		250-24119
			AR33503	Fr. Ch. No. 3174687, To Ch. No. 3174687	12.96 -> 01.01		250-24524
			AR33503	Fr. Ch. No. 3174687	12.96 -> 01.01		250-24705
1.6 i.e.	930	76	AR33201	To Ch. No. 3014142	10.94 -> 12.96		250-24119
			AR33201	Fr. Ch. No. 3014142	10.94 -> 12.96		250-24000
1.6 i.e. 16V T.S.	930	88	AR67601	To Ch. No. 3174687	12.96 -> 01.01		250-24524
			AR67601	Fr. Ch. No. 3174687	12.96 -> 01.01		250-24705
			AR32102		12.96 -> 01.01		250-24705
1.7 i.e. 16V	930	95	AR33401		10.94 -> 12.96		250-24119
1.8 i.e. 16V	930	106	AR32201		06.98 -> 04.99		250-24705
1.8 i.e. 16V T.S.	930	103	AR67106		12.96 -> 12.98		250-24119
2.0 16V Quadrifoglio	930	114	AR32301		06.98 -> 01.01		250-24705
2.0 16V T.S.	930	110	AR67204		11.95 -> 01.01		250-24119
			AR67299		11.95 -> 01.01		250-24119
<b>146</b>							
1.4 i.e.	930	66	AR33501		12.94 -> 12.96		250-23816
1.4 i.e. 16V T.S.	930	76	AR33503	To Ch. No. 0129332	12.96 -> 01.01		250-24119
			AR33503	Fr. Ch. No. 0129332, To Ch. No. 0165088	11.96 -> 01.01		250-24524
			AR33503	Fr. Ch. No. 0165088	02.98 -> 01.01		250-24705
1.6 i.e. 16V T.S.	930	88	AR67601	To Ch. No. 0165088	12.96 -> 01.01		250-24524
			AR67601	Fr. Ch. No. 0165088	11.96 -> 01.01		250-24705
1.7 i.e. 16V	930	95	AR33401		12.94 -> 12.96		250-24119
1.8 i.e. 16V T.S.	930	103	AR67106		12.96 -> 01.01		250-24119
	930	106	AR32201		06.98 -> 01.01		250-24705
2.0 16V Quadrifoglio	930	114	AR32301		06.98 -> 01.01		250-24705
2.0 16V T.S.	930	110	AR67204		03.96 -> 01.01		250-24119
<b>147</b>							
1.6 16V T.S. ECO	937	77	AR37203		01.01 ->	Pre cat	250-24564
			AR37203		01.01 ->	Post cat	250-24695
1.6 16V T.S.	937	88	AR32104		01.01 ->	Pre cat Left	250-24695
			AR32104		01.01 ->	Pre cat Right	250-24695
			AR32104		01.01 ->	Post cat	• 250-24696
2.0 16V T.S.	937	110	AR32310		01.01 ->	Pre cat Left	250-24695
			AR32310		01.01 ->	Pre cat Right	250-24695
			AR32310		01.01 ->	Post cat	• 250-24696
3.2 GTA	937	184	932A_		02.03 -> 09.04	Pre cat Left	250-24564
			932A_		02.03 -> 09.04	Pre cat Right	250-24119
			932A_		02.03 -> 09.05	Post cat Left	250-24696
			932A_		02.03 -> 09.06	Post cat Right	250-24696
<b>155</b>							
1.6 16V T.S.	167	88	AR67601		05.96 -> 08.97		250-24119
1.7 T.S.	167	83	AR67103		04.93 -> 04.96		250-24132
1.7 T.S. 16V	167	103	AR67106		05.96 -> 08.97		250-24119





Model / Liter	Body Code	kW	Engine Code	Application Identifier Engine or Chassis	Year From→ To	Position	Walker Direct Fit
<b>ALFA ROMEO (cont'd)</b>							
<b>155 (cont'd)</b>							
2.0 16V T.S.	167	110	AR67204 AR67299		03.95 -> 08.97 03.95 -> 08.97		250-24119 250-24119
2.0 16V Turbo Q4	167	140	AR67203		03.95 -> 08.97		250-23048
2.5 TD	167	92	VM31B		03.95 -> 08.97		250-23048
2.5 V6	167	120	AR67303		03.95 -> 08.97		250-24132
<b>156</b>							
1.6 16V T.S.	932	88	AR32104 AR32104 AR32104 AR67601 AR67610 AR32102	To Ch. No. 0012329 Fr. Ch. No. 0023373 Fr. Ch. No. 0023373	09.00 -> 09.05 09.00 -> 09.05 09.00 -> 09.05 09.97 -> 09.05 09.97 -> 03.03 09.97 -> 03.03	Pre cat Left Pre cat Right Post cat	250-24695 250-24695 • 250-24696 250-24530 250-24705 250-24705
1.8 16V T.S.	932	103	AR32205 AR32205 AR32205		10.00 -> 09.05 10.00 -> 09.05 10.00 -> 09.05	Pre cat Left Pre cat Right Post cat	250-24695 250-24695 • 250-24696 250-24705
2.0 16V T.S.	932	106	AR32201		09.97 -> 10.00		250-24705
2.0 16V T.S.	932	110	AR32310 AR32310 AR32310		10.00 -> 03.02 10.00 -> 03.02 10.00 -> 03.02	Pre cat Left Pre cat Right Post cat	250-24695 250-24695 • 250-24696 250-24705
2.0 JTS	932	114	AR32301		09.97 -> 10.00		250-24705
2.0 JTS	932	122	937A1_ 937A1_ 937A1_ 937A1_		03.02 -> 05.05 03.02 -> 05.05 03.02 -> 09.05 03.02 -> 09.05	Pre cat Left Pre cat Right Post cat Left Post cat Right	250-25005 250-25005 250-24695 250-24695
2.5 V6 24V	932	140	AR32401	A/T	02.99 -> 10.00		250-24695
	932	141	AR32405 AR32405 AR32405 AR32405	M/T	09.97 -> 10.00 10.00 -> 09.05 10.00 -> 09.05 10.00 -> 09.05	Pre cat Left Pre cat Right Post cat Left Post cat Right	250-24705 250-24695 250-24119 250-24696 250-24696
3.2 GTA	932	184	932A_ 932A_ 932A_ 932A_		03.02 -> 09.05 03.02 -> 09.05 03.02 -> 09.05 03.02 -> 09.05	Pre cat Left Pre cat Right Post cat Left Post cat Right	250-24695 250-24119 250-24696 250-24696
<b>156 Sportwagon</b>							
1.6 16V T.S.	932	88	AR32104 AR32104 AR32104 AR67601 AR67601	To Ch. No. 0012329 Fr. Ch. No. 0023373	09.00 -> 05.06 09.00 -> 05.06 09.00 -> 05.06 05.00 -> 05.06 05.00 -> 03.03	Pre cat Left Pre cat Right Post cat	250-24695 250-24695 • 250-24696 250-24530 250-24705
1.8 16V T.S.	932	103	AR32205 AR32205 AR32205		10.00 -> 05.06 10.00 -> 05.06 10.00 -> 05.06	Pre cat Left Pre cat Right Post cat	250-24695 250-24695 • 250-24696 250-24705
2.0 16V T.S.	932	106	AR32201		05.00 -> 10.00		250-24705
2.0 16V T.S.	932	110	AR32310 AR32310 AR32310		10.00 -> 03.02 10.00 -> 03.02 10.00 -> 03.02	Pre cat Left Pre cat Right Post cat	250-24695 250-24695 • 250-24696 250-24705
2.0 JTS	932	114	AR32301		05.00 -> 10.00		250-24705
2.0 JTS	932	122	937A1_ 937A1_ 937A1_ 937A1_		03.02 -> 05.05 03.02 -> 05.05 03.02 -> 05.06 03.02 -> 05.06	Pre cat Left Pre cat Right Post cat Left Post cat Right	250-25005 250-25005 250-24695 250-24695
2.5 V6 24V	932	140	AR32401	A/T	05.00 -> 10.00		250-24695
	932	141	AR32405 AR32405 AR32405 AR32405	M/T	05.00 -> 10.00 10.00 -> 05.06 10.00 -> 05.06 10.00 -> 05.06	Pre cat Left Pre cat Right Post cat Left Post cat Right	250-24705 250-24695 250-24119 250-24696 250-24696
3.2 GTA	932	184	932A_ 932A_ 932A_ 932A_		03.02 -> 05.06 03.02 -> 05.06 03.02 -> 05.06 03.02 -> 05.06	Pre cat Left Pre cat Right Post cat Left Post cat Right	250-24695 250-24119 250-24696 250-24696
<b>164</b>							
2.0 T.S.	164	106	AR64103 AR64103		09.92 -> 09.98 10.96 -> 09.98		250-24132 250-24530
2.0 V6 Turbo	164	148	AR64102		09.92 -> 09.98		250-23048
3.0 24V	164	155	AR64306 AR66302 AR66301		07.94 -> 09.98 07.94 -> 09.98 09.92 -> 09.98		250-24145 250-24145 250-24132



Model / Liter	Body Code	Engine kW	Engine Code	Application Identifier Engine or Chassis	Year From→To	Position	Walker Direct Fit
<b>ALFA ROMEO (cont'd)</b>							
<b>164 (cont'd)</b>							
3.0 24V Q4	164	170	AR64308		02.94 -> 09.98		250-24132
			AR64307		02.94 -> 09.98		250-24132
	164	171	AR64304		09.92 -> 09.98		250-24132
3.0 V6	164	132	AR66303		09.92 -> 12.96		250-24132
			AR64305		09.92 -> 12.96		250-24132
		132	AR66303		12.96 -> 09.98		250-24530
		132	AR64305		12.96 -> 09.98		250-24530
<b>166</b>							
2.0 T.S.	936	110	AR36301		10.03 -> 04.06	Pre cat	250-25005
			AR36301		10.03 -> 09.03	Post cat	250-24695
	936	114	AR34103		10.98 -> 10.00		250-24705
2.0 V6	936	151	AR34102		09.98 -> 09.03		250-24705
2.5 V6 24V	936	138	AR36201		10.00 ->	Pre cat Cyl 1-3	250-24119
			AR36201		10.00 ->	Pre cat Cyl 4-6	250-24564
	936	140	AR34201		10.98 -> 10.00		250-24705
3.0 V6 24V	936	162	AR36101		10.00 ->	Pre cat Cyl 1-3	250-24119
			AR36101		10.00 ->	Pre cat Cyl 4-6	250-24564
	936	166	AR34301		10.98 -> 10.00		250-24705
3.2 V6 24V	936	176	936A_		10.03 ->	Pre cat Cyl 1-3	250-24119
			936A_		10.03 ->	Pre cat Cyl 4-6	250-24564
<b>GT</b>							
1.8 TS		103	AR32205		01.04 ->	Pre cat	250-24695
			AR32205		01.04 ->	Post cat	250-24696
2.0 JTS		121	932 A2_ 937 A1_		11.03 -> 05.05	Pre cat Left	250-25005
			932 A2_ 937 A1_		11.03 -> 05.05	Pre cat Right	250-25005
			932 A2_ 937 A1_		11.03 ->	Post cat Left	250-24695
			932 A2_ 937 A1_		11.03 ->	Post cat Right	250-24695
3.2 GTA		176	936A_		11.03 ->	Pre cat Left	250-24564
			936A_		11.03 ->	Pre cat Right	250-24119
			936A_		11.03 ->	Post cat Left	250-24696
			936A_		11.03 ->	Post cat Right	250-24696
<b>GTV</b>							
1.8 16V	916C_	106	AR32201		05.98 ->		250-24705
2.0 T.S. 16V	916C_	110	AR16201		06.95 -> 08.00		250-24530
			AR32310		08.00 -> 02.03	Pre cat Left	250-24695
			AR32310		08.00 -> 02.03	Pre cat Right	250-24695
			AR32310		08.00 -> 02.03	Post cat	250-24705
	916C_	114	AR32301		05.98 -> 02.03		250-24705
2.0 JTS	916C_	121	927A1_		04.03 ->	Pre cat Left	250-25005
	916C_	121	937A1_		04.03 ->	Pre cat Right	250-25005
			937A1_		04.03 ->	Post cat Left	250-24695
			937A1_		04.03 ->	Post cat Right	250-24695
			AR32310		04.03 ->	Pre cat Left	250-24695
			AR32310		04.03 ->	Pre cat Right	250-24695
			AR32310		04.03 ->	Post cat	250-24705
2.0 V6 Turbo	916C_	148	AR16202	Fr. Ch. No. 6003388	06.95 -> 02.03		250-23106
			AR16202	To Ch. No. 6003388	06.95 -> 02.03		250-23048
3.0 V6 24V	916C_	160	AR16105		10.00 -> 02.03	Pre cat Left	250-24564
			AR16105		10.00 -> 02.03	Pre cat Right	250-24119
			AR16105		10.00 -> 02.03	Post cat Left	250-24696
			AR16105		10.00 -> 02.03	Post cat Right	250-24696
		162	AR16102		02.97 -> 05.98		250-24530
			AR16102		05.98 -> 10.00	Pre cat Left	250-24695
			AR16102		02.97 -> 10.00	Pre cat Right	250-24705
3.2 V6 24V	916C_	176	936A6_		04.03 ->	Pre cat Left	250-24564
			936A6_		04.03 ->	Pre cat Right	250-24119
			936A6_		04.03 ->	Post cat Left	250-24696
			936A6_		04.03 ->	Post cat Right	250-24696
<b>MITO</b>							
1.4		57	843A		09.08 ->	Pre cat	250-24564
			843A		09.08 ->	Post cat	250-24564
1.4 TB		114	199A8_		09.08 ->	Pre cat	250-24564
			199A8_		09.08 ->	Post cat	250-24695
<b>SPIDER</b>							
1.8 16V	916S_	106	AR32201		05.98 -> 02.03		250-24705
2.0 T.S. 16V	916S_	110	AR16201		06.95 -> 05.98		250-24530



Model / Liter	Body Code	kW	Engine Code	Application Identifier Engine or Chassis	Year From→ To	Position	Walker Direct Fit
<b>ALFA ROMEO (cont'd)</b>							
<b>SPIDER (cont'd)</b>							
2.0 T5 16V	916S_	110	AR32310		08.00 -> 04.05	Pre cat Left	250-24695
			AR32310		08.00 -> 04.05	Pre cat Right	250-24695
			AR32310		08.00 -> 04.05	Post cat Left	250-24705
			AR32310		08.00 -> 04.05	Post cat Right	250-24705
2.0 JTS	916S_	114	AR32301		05.98 -> 08.00		250-24705
	916S_	121	937A1_		04.03 -> 04.05	Pre cat Left	250-25005
			937A1_		04.03 -> 04.05	Pre cat Right	250-25005
			937A1_		04.03 -> 04.05	Post cat	• 250-24695
2.0 V6 Turbo	916S_	148	AR16202		05.98 -> 02.03		250-23106
3.0 V6	916S_	141	AR16101		06.95 -> 02.03		250-24530
	916S_	160	AR16105		10.00 -> 02.03	Pre cat Left	250-24564
			AR16105		10.00 -> 02.03	Pre cat Right	250-24119
			AR16105		10.00 -> 02.03	Post cat Left	250-24696
			AR16105		10.00 -> 02.03	Post cat Right	250-24696
3.2 V6 24V	916S_	176	936A_		04.03 -> 04.05	Pre cat Left	250-24564
			936A_		04.03 -> 04.05	Pre cat Right	250-24119
			936A_		04.03 -> 04.05	Post cat Left	250-24696
			936A_		04.03 -> 04.05	Post cat Right	250-24696
<b>ASTON MARTIN</b>							
<b>DB7</b>							
3.2					01.97 -> 12.98		250-23019
6.0		313		2 Req'd	01.00 -> 12.04	Pre cat Left	250-24001
				2 Req'd	01.00 -> 12.04	Pre cat Right	250-24001
					01.00 -> 12.04	Center Left	250-24001
					01.00 -> 12.04	Center Right	250-24001
					01.00 -> 12.04	Post cat Left	250-24001
					01.00 -> 12.04	Post cat Right	250-24001
<b>DB9</b>							
6.0		336		2 Req'd	01.05 -> 12.07	Pre cat Left	250-24001
				2 Req'd	01.05 -> 12.07	Pre cat Right	250-24001
					01.05 -> 12.07	Center Left	250-24001
					01.05 -> 12.07	Center Right	250-24001
					01.05 -> 12.07	Post cat Left	250-24001
					01.05 -> 12.07	Post cat Right	250-24001
<b>VANQUISH</b>							
6.0		343		2 Req'd	01.02 -> 12.06	Pre cat Left	250-24001
				2 Req'd	01.02 -> 12.06	Pre cat Right	250-24001
					01.02 -> 12.06	Center Left	250-24001
					01.02 -> 12.06	Center Right	250-24001
					01.02 -> 12.06	Post cat Left	250-24001
					01.02 -> 12.06	Post cat Right	250-24001
<b>AUDI</b>							
<b>A3</b>							
1.6	8L1	74	AEH		09.96 -> 03.97		250-24534
			AEH	Fr. Ch. No. V-095 001	03.97 -> 07.98		250-24533
			AEH		08.98 -> 08.00		250-24427
			AKL	A/T	08.97 -> 07.98		250-24427
			AKL	M/T	08.97 -> 07.98		250-24534
			AKL		08.98 -> 08.00		250-24734
			APF		08.98 -> 08.00	Pre cat	250-25004
			APF		08.98 -> 08.00	Post cat	250-24431
	8L1	75	AKL		09.00 -> 06.03		250-24427
			AVU		09.00 -> 04.02	Pre cat	250-25004
			AVU		09.00 -> 04.02	Post cat	250-24431
			BFQ		05.02 -> 06.03	Pre cat	250-25004
			BFQ		05.02 -> 06.03	Post cat	250-24431
1.6 FSI	8P1	85	BAG		08.03 -> 05.04		250-25002
			BLF		01.05 ->	Pre cat	250-25034
			BLF		01.05 ->	Post cat	250-24699
			BLP		06.04 -> 12.04		250-25034
1.8	8L1	92	AGN		09.96 -> 05.97		250-24558
			AGN		05.97 -> 06.01		250-24534
			APG		08.98 -> 06.03	Pre cat	250-25003
			APG		08.98 ->	Post cat	250-24431
1.8 Quattro	8L1	92	AGN		08.98 -> 06.99		250-24734



Model / Liter	Body Code	Engine kW	Engine Code	Application Identifier Engine or Chassis	Year From→To	Position	Walker Direct Fit
<b>AUDI (cont'd)</b>							
<b>A3 (cont'd)</b>							
1.8 T	8L1	110	AGU		12.96 -> 07.97		250-24146
			AGU		08.97 -> 06.03		250-24558
			AQA		12.96 -> 07.97	Pre cat	250-24146
			AQA		09.00 -> 06.03	Post cat	250-24734
			ARZ		12.96 -> 07.97	Pre cat	250-24146
			ARZ		07.99 -> 08.00	Post cat	250-24431
			ARZ		09.00 -> 06.03	Post cat	250-24734
			AUM		12.96 -> 07.97		250-24146
			AUM		08.98 -> 08.00		250-24734
			AUM		09.00 -> 06.03		250-25003
	8L1	132	AJQ		12.98 -> 08.00		250-24734
			APP		07.99 -> 05.00	Pre cat	250-24734
			APP		07.99 -> 05.00	Post cat	250-24431
			ARY		09.00 -> 06.01	Pre cat	250-25003
			ARY		09.00 -> 06.01	Post cat	250-24734
			AUQ		09.00 -> 06.03	Pre cat	250-25003
			AUQ		09.00 -> 06.03	Post cat	250-24734
1.8 T Quattro	8L1	110	ARX, AQA		12.96 -> 08.97		250-24734
			AGU		12.96 -> 08.97		250-24734
			ARX	Fr. Ch. No. W-000 001	08.97 -> 07.98		250-24558
			AQA	Fr. Ch. No. W-000 001	08.97 -> 07.98		250-24558
			AGU	Fr. Ch. No. W-000 001	08.97 -> 07.98		250-24558
			ARX		09.00 -> 06.03	Pre cat	250-25003
			ARX		09.00 -> 06.03	Post cat	250-24494
	8L1	132	AJQ		11.98 -> 08.00		250-24734
			AJQ, ARY		09.00 -> 06.03	Pre cat	250-25003
			ARY		09.00 -> 06.03	Post cat	250-24494
1.8 TFSI	8P1	118	BZB		06.07 -> 06.08	Pre cat	250-24671
1.9 TDI	8P1	77	BLS		10.05 ->	Post cat	250-25035
2.0 FSI	8P1	110	AXW, BLR		05.03 -> 05.06	Pre cat	250-25033
			AXW, BLR		05.03 -> 11.06	Post cat	250-24734
			BLX, BLY		05.03 -> 05.06	Pre cat	250-25033
			BLX, BLY		05.03 -> 11.06	Post cat	250-24734
			BMB, BVY		05.03 -> 05.06	Pre cat	250-25033
			BMB, BVY		05.03 -> 11.06	Post cat	250-24734
			BVZ		05.03 -> 05.06	Pre cat	250-25033
			BVZ		05.03 -> 11.06	Post cat	250-24734
2.0 TDI	8P1	103	BMM		06.05 ->	Post cat	250-25035
2.0 TDI Quattro	8P1	103	BMM		01.06 ->	Post cat	250-25035
2.0 TFSI	8P1	147	AXX		09.05 ->	Pre cat	250-25035
			AXX		09.04 -> 10.05	Post cat	250-24699
			BWA		09.04 -> 10.05	Pre cat	250-25035
			BWA		09.05 -> 06.08	Post cat	250-24699
2.0 TFSI Quattro	8P1	147	AXX		10.05 ->	Pre cat	250-25035
			AXX		09.04 -> 10.05	Post cat	250-24699
			BWA		09.05 ->	Pre cat	250-25035
			BWA		09.05 ->	Post cat	250-24699
3.2 V6 Quattro	8P1	184	BUB		11.05 ->	Pre cat	Left 250-25026
			BUB		11.05 ->	Pre cat	Right 250-25035
			BUB		11.05 ->	Post cat	Left 250-24671
			BUB		11.05 ->	Post cat	Right 250-24699
S3 Quattro	8L1	154	AMK, AUL		09.00 -> 04.02	Pre cat	250-25002
			AMK, AUL		09.00 -> 12.00	Post cat	250-24432
			AMK, AUL		12.00 ->	Post cat	250-24494
			APY		03.99 -> 09.00	Pre cat	250-24495
			APY, AUL		03.99 -> 09.00	Post cat	250-24431
			AUL		09.99 -> 08.00	Pre cat	250-24495
	8L1	165	BAM		10.01 ->	Pre cat	250-25002
			BAM		10.01 ->	Post cat	250-24494
	8P1	195	BHZ		11.06 ->		250-25035
<b>A3 Cabriolet</b>							
1.8 TFSI		118	BZB		04.08 ->	Pre cat	250-25035
			BZB		04.08 ->	Post cat	250-24699
1.9 TDI		77	BLS		04.08 ->	Post cat	250-25035
2.0 TFSI		147	CAW		04.08 ->	Pre cat	250-25035
			CAW		04.08 ->	Post cat	250-24699





Model / Liter	Body Code	kW	Engine Code	Application Identifier Engine or Chassis	Year From→ To	Position	Walker Direct Fit
<b>AUDI (cont'd)</b>							
<b>A3 Sportback</b>							
1.6 FSI	8PA	85	BLF		01.05 -> 09.07	Pre cat	250-25034
			BLF		01.05 -> 09.07	Post cat	250-24699
			BLP		09.04 -> 12.04		250-25034
1.8 TFSI	8PA	118	BZB		06.07 -> 06.08		250-24671
1.9 TDI	8PA	77	BLS	A/T	06.06 ->	Post cat	250-25035
			BLS	M/T	10.05 ->	Post cat	250-25035
2.0 TDI	8PA	103	BMM		06.05 ->	Post cat	250-25035
2.0 TDI Quattro			BMM		01.06 ->	Post cat	250-25035
2.0 FSI	8PA	110	BLR		01.05 -> 10.05	Pre cat	250-25033
			BLR		01.05 -> 10.05	Post cat	250-24734
			BLX, BMB		09.04 -> 01.05	Pre cat	250-25033
			BLX, BMB		09.04 -> 01.05	Post cat	250-24734
			BVY		11.05 -> 07.06	Pre cat	250-25033
			BVY		11.05 -> 07.06	Post cat	250-24734
2.0 TFSI	8PA	147	AXX		09.04 -> 12.05	Pre cat	250-25035
			AXX		09.04 -> 12.05	Post cat	250-24699
			BWA		09.04 -> 06.08	Pre cat	250-25035
			BWA		09.04 -> 06.08	Post cat	250-24699
			CAW	A/T	10.07 -> 06.08		250-24671
2.0 TFSI Quattro	8PA	147	AXX		09.04 -> 10.05	Pre cat	250-25035
			AXX		09.04 -> 10.05	Post cat	250-24699
			BWA		09.05 ->	Pre cat	250-25035
			BWA		09.04 -> 06.08	Post cat	250-24699
3.2 V6 Quattro	8PA	184	BMJ		09.04 -> 10.05	Pre cat Left	250-25026
			BMJ		09.04 -> 10.05	Pre cat Right	250-25035
			BMJ		09.04 -> 10.05	Post cat Left	250-24671
			BMJ		09.04 -> 10.05	Post cat Right	250-24699
			BUB		11.05 ->	Pre cat Left	250-25026
			BUB		11.05 ->	Pre cat Right	250-25035
			BUB		11.05 ->	Post cat Left	250-24671
			BUB		11.05 ->	Post cat Right	250-24699
<b>A4</b>							
1.6	8D2, B5	74	ADP, AHL		01.95 -> 07.00		250-24555
			ARM		01.95 -> 07.00		250-24555
			ANA		07.99 -> 07.00	Pre cat	250-24577
			ANA		07.99 -> 07.00	Post cat	250-24431
	8EC	75	ALZ		11.04 ->	Pre cat	250-24494
			ALZ		11.04 ->	Post cat	250-24577
	8E2, B6	75	ALZ		12.00 -> 12.04	Pre cat	250-24577
			ALZ		12.00 -> 04.02	Post cat	250-24431
			ALZ		05.02 -> 12.04	Post cat	250-24494
1.8	8D2, B5	85	AFY		04.95 -> 12.98		250-24555
			AFY		02.99 -> 11.00		250-24427
	8D2, B5	92	ADR		01.95 -> 12.98		250-24555
			ADR		02.99 -> 04.99		250-24427
			APT		04.99 -> 11.00		250-24427
			ARG		02.99 -> 11.00		250-24427
1.8 Quattro	8D2, B5	92	ADR		01.95 -> 12.98		250-24555
			ADR		02.99 -> 04.99		250-24427
	8D2, B5	85	AFY		07.95 -> 12.98		250-24555
			AFY		02.99 -> 10.00		250-24427
	8D2, B5	92	APT		02.99 -> 10.00		250-24427
			ARG		02.99 -> 06.00		250-24427
1.8 T	8D2, B5	110	AEB		01.95 -> 07.96		250-24414
			AEB		07.96 -> 07.97		250-24146
			AEB		08.97 -> 07.98		250-24417
			ANB, APU		02.99 -> 11.00	Pre cat	250-24427
			ANB		02.99 -> 07.99	Post cat	250-24432
			APU		02.99 -> 11.00		250-24417
			AVJ		12.00 -> 06.02	Pre cat	250-25004
			AVJ		12.00 -> 06.02	Post cat	250-24432
	8EC	120	BFB		11.04 ->	Pre cat	250-25004
			BFB		11.04 ->	Post cat	250-24432
	8E2, B6	120	BFM		11.02 -> 12.04		250-25004
	8E2, B6	125	AMB		07.01 -> 06.02	Pre cat	250-25004
			AMB		07.01 -> 06.02	Post cat	250-24432
	8D2, B5	132	AJL		12.97 -> 11.00		250-24417
			ANB		05.99 -> 11.00	Pre cat	250-24427
			ANB		05.99 -> 11.00	Post cat	250-24432





Model / Liter	Body Code	Engine kW	Engine Code	Application Identifier Engine or Chassis	Year From→To	Position	Walker Direct Fit
<b>AUDI (cont'd)</b>							
<b>A4 (cont'd)</b>							
1.8 T	8E2, B6	140	BEX		11.02 -> 12.04	Pre cat	250-25004
			BEX		11.02 -> 12.04	Post cat	250-24432
1.8 T Quattro	8D2, B5	110	AEB, ARK		01.95 -> 07.96		250-24414
			ANB, APU		01.95 -> 07.96		250-24414
			AWT		01.95 -> 07.96		250-24414
			AEB, ARK	Fr. Ch. No. V-000 001	07.96 -> 07.97		250-24146
			AEB, ARK	To Ch. No. V-400 000	07.96 -> 07.97		250-24146
			ANB, APU	Fr. Ch. No. V-000 001	07.96 -> 07.97		250-24146
			ANB, APU	To Ch. No. V-400 000	07.96 -> 07.97		250-24146
			AWT	Fr. Ch. No. V-000 001	07.96 -> 07.97		250-24146
			AWT	To Ch. No. V-400 000	07.96 -> 07.97		250-24146
			AEB		08.97 -> 12.98		250-24417
			APU		02.99 -> 10.00		250-24417
			AEB, ARK		02.99 -> 10.00	Pre cat	250-24427
			ANB, APU		02.99 -> 10.00	Pre cat	250-24427
			AWT		02.99 -> 10.00	Pre cat	250-24427
			ANB		07.99 -> 06.00	Post cat	250-24432
			AWT		06.00 -> 10.00	Pre cat	250-25004
			AWT		06.00 -> 10.00	Post cat	250-24432
	8E2, B6	110	AVJ		12.00 -> 06.02	Pre cat	250-25004
			AVJ		12.00 -> 06.02	Post cat	250-24432
	8E2, B6	120	BFB		07.02 -> 12.04	Pre cat	250-25004
			BFB		07.02 -> 12.04	Post cat	250-24432
	8EC	120	BFB		11.04 ->	Pre cat	250-25004
			BFB		11.04 ->	Post cat	250-24432
	8E2, B6	125	AMB		07.01 -> 12.04	Pre cat	250-25004
			AMB		07.01 -> 12.04	Post cat	250-24432
	8D2, B5	132	AJL		12.97 -> 10.00		250-24417
	8E2, B6	140	BEX		11.02 -> 12.04	Pre cat	250-25004
			BEX		11.02 -> 12.04	Post cat	250-24432
1.8 TFSI	8K2	88	CDH		09.08 ->		250-25025
	8K2	118	CABB		06.08 ->		250-25025
1.8 TFSI Quattro	8K2	118	CDHB		09.08 ->		250-25025
2.0	8E2, B6	96	ALT		12.00 -> 12.04	Pre cat	250-25004
			ALT		12.00 -> 12.04	Post cat	250-24432
	8EC	96	ALT		11.04 ->	Pre cat	250-25004
			ALT		11.04 ->	Post cat	250-24432
2.0 FSI	8E2, B6	110	AWA		07.02 -> 12.04	Pre cat	250-25004
			AWA		07.02 -> 12.04	Post cat	250-24432
2.0 TFSI	8K2	132	CAEA, CDNB		06.08 ->		250-25025
	8EC	147	BGB		11.04 -> 08.05	Pre cat	250-25031
			BGB		11.04 -> 08.05	Post cat	250-24671
			BWE		09.05 ->	Pre cat	250-25031
			BWE		09.05 ->	Post cat	250-24671
	8K2	155	CDNC		06.08 ->		250-25025
	8EC	162	BUL		06.05 ->	Pre cat	250-25031
			BUL		06.05 ->	Post cat	250-24671
2.0 TFSI Quattro	8EC	147	BGB		11.04 -> 08.05	Pre cat	250-25031
			BGB		11.04 -> 08.05	Post cat	250-24671
			BWE		09.05 ->	Pre cat	250-25031
			BWE		11.04 -> 09.05	Post cat	250-24671
	8K2	155	CAEB, CDNC		06.08 ->		250-25025
	8EC	162	BUL		06.05 ->	Pre cat	250-25031
	8EC	162	BUL		06.05 ->	Post cat	250-24671
2.4	8D2, B5	120	AJG		08.97 -> 07.98	Pre cat	250-24719
			AJG		08.97 -> 07.98	Pre cat	Right
	8E2, B6	120	AMM		09.01 -> 12.04	Pre cat	Left
			AMM		09.01 -> 12.04	Pre cat	Right
			AMM		09.01 -> 12.04	Post cat	Left
			AMM		09.01 -> 12.04	Post cat	Right
	8D2, B5	120	APZ		02.99 -> 11.00	Pre cat	Left
			APZ		02.99 -> 11.00	Pre cat	Right
	8D2, B5	121	AFM		03.97 -> 07.97	Pre cat	Left
			AFM		03.97 -> 07.97	Pre cat	Right
			AGA		08.97 -> 07.98	Pre cat	Left
			AGA		08.97 -> 07.98	Pre cat	Right
			APS, ARJ		02.99 -> 11.00	Pre cat	Left
			APS, ARJ		02.99 -> 11.00	Pre cat	Right



Model / Liter	Body Code	kW	Engine Code	Application Identifier Engine or Chassis	Year From→ To	Position	Walker Direct Fit				
<b>AUDI (cont'd)</b>											
<b>A4 (cont'd)</b>											
2.4	8E2, B6	125	BDV		09.01 -> 12.04	Pre cat	Left	250-24494			
			BDV		09.01 -> 12.04	Pre cat	Right	250-24494			
			BDV		09.01 -> 12.04	Post cat	Left	250-24432			
			BDV		09.01 -> 12.04	Post cat	Right	250-24432			
2.4 Quattro	8D2, B5	120	APZ		02.99 -> 06.00	Pre cat	Left	250-24395			
			APZ		02.99 -> 06.00	Pre cat	Right	250-24395			
			APZ		08.97 -> 07.98	Post cat	Left	250-24719			
			APZ		08.97 -> 07.98	Post cat	Right	250-24719			
			8D2, B5	121	AGA, ALF		08.97 -> 07.98	Pre cat	Left	250-24719	
					AGA, ALF		08.97 -> 07.98	Pre cat	Right	250-24719	
	AML				07.99 -> 11.00	Pre cat	Left	250-24395			
	AML				07.99 -> 11.00	Pre cat	Right	250-24395			
	AML, ARJ				07.99 -> 11.00	Post cat	Left	250-24414			
	AGA, ALF				07.99 -> 11.00	Post cat	Left	250-24414			
	2.6	8D2, B5	110	ABC		01.95 -> 07.98	Pre cat	Left	250-23113		
				ABC		01.95 -> 07.98	Pre cat	Right	250-23113		
ACZ					01.96 -> 07.97	Pre cat	Left	250-23113			
ACZ					01.96 -> 07.97	Pre cat	Right	250-23113			
2.6 Quattro				8D2, B5	110	ABC		01.95 -> 07.98	Pre cat	Left	250-23113
						ABC		01.95 -> 07.98	Pre cat	Right	250-23113
						ACZ		04.95 -> 12.98	Pre cat	Left	250-23113
						ACZ		04.95 -> 12.98	Pre cat	Right	250-23113
2.8				8D2, B5	128	AAH		09.95 -> 07.97	Pre cat	Left	250-23113
						AAH		09.95 -> 07.97	Pre cat	Right	250-23113
						8D2, B5	142	ACK		10.96 -> 12.98	Pre cat
				ACK				10.96 -> 12.98	Pre cat	Right	250-24719
	ALG		08.97 -> 07.98	Pre cat	Left			250-24719			
	2.8 Quattro	8D2, B5	128	ALG		08.97 -> 07.98	Pre cat	Right	250-24719		
APR					01.99 -> 11.00	Pre cat	Left	250-24395			
APR					01.99 -> 11.00	Pre cat	Right	250-24395			
8D2, B5		142	AAH		01.95 -> 07.97	Pre cat	Left	250-23113			
			AAH		01.95 -> 07.97	Pre cat	Right	250-23113			
			ACK, ALG		08.97 -> 07.98	Pre cat	Left	250-24719			
3.0	8EC	160	ACK, ALG		08.97 -> 07.98	Pre cat	Right	250-24719			
			AMX		07.99 -> 10.00	Pre cat	Left	250-24395			
			AMX		07.99 -> 10.00	Pre cat	Right	250-24395			
			AMX		07.99 -> 10.00	Post cat	Left	250-24414			
			AMX		07.99 -> 10.00	Post cat	Right	250-24414			
			APR, AOD		02.99 -> 06.00	Pre cat	Left	250-24395			
	8E2, B6	160	APR, AOD		02.99 -> 06.00	Pre cat	Right	250-24395			
			BBJ		03.05 -> 05.06	Post cat	Left	250-25003			
			BBJ		03.05 -> 05.06	Post cat	Right	250-25003			
			BBJ		03.05 -> 05.06	Pre cat	Left	250-24427			
			BBJ		03.05 -> 05.06	Pre cat	Right	250-24493			
			BBJ		04.01 -> 12.04	Pre cat	Left	250-25003			
8E2, B6	162	162	BBJ		04.01 -> 12.04	Pre cat	Right	250-25003			
			BBJ		04.01 -> 12.04	Post cat	Left	250-24427			
			BBJ		04.01 -> 12.04	Post cat	Right	250-24493			
			ASN		11.00 -> 12.04	Pre cat	Left	250-25003			
			ASN		11.00 -> 12.04	Pre cat	Right	250-25003			
			ASN		12.00 -> 12.04	Post cat	Left	250-24493			
	BBJ	162	162	ASN		12.00 -> 12.04	Post cat	Right	250-24493		
				AVK		11.00 -> 12.04	Pre cat	Left	250-25003		
				AVK		11.00 -> 12.04	Pre cat	Right	250-25003		
				AVK		11.00 -> 12.04	Post cat	Left	250-24427		
				AVK		11.00 -> 12.04	Post cat	Right	250-24432		
				BBJ		06.03 -> 12.04	Pre cat	Left	250-25003		
BBJ	162	162	BBJ		06.03 -> 12.04	Pre cat	Right	250-25003			
			BBJ		06.03 -> 12.04	Post cat	Left	250-24427			
			BBJ		06.03 -> 12.04	Post cat	Right	250-24493			



Model / Liter	Body Code	kW	Engine Code	Application Identifier Engine or Chassis	Year From→To	Position	Walker Direct Fit		
<b>AUDI (cont'd)</b>									
<b>A4 (cont'd)</b>									
3.0 Quattro	8E2, B6	160	BBJ		04.01 -> 05.06	Pre cat	Left	250-25003	
			BBJ		04.01 -> 05.06	Pre cat	Right	250-25003	
			BBJ		04.01 -> 05.06	Post cat	Left	250-24493	
	8E2, B6	162	BBJ		04.01 -> 05.06	Post cat	Right	250-24493	
			ASN		11.00 -> 12.04	Pre cat	Left	250-25003	
			ASN		11.00 -> 12.04	Pre cat	Right	250-25003	
			ASN		12.00 -> 12.04	Post cat	Left	250-24493	
			ASN		12.00 -> 12.04	Post cat	Right	250-24493	
			AVK		11.00 -> 12.04	Pre cat	Left	250-25003	
			AVK		11.00 -> 12.04	Pre cat	Right	250-25003	
			AVK		11.00 -> 12.04	Post cat	Left	250-24427	
			AVK		11.00 -> 12.04	Post cat	Right	250-24432	
	BBJ			BBJ		07.01 -> 12.04	Pre cat	Left	250-25003
				BBJ		07.01 -> 12.04	Pre cat	Right	250-25003
				BBJ		07.01 -> 12.04	Post cat	Left	250-24493
BBJ					07.01 -> 12.04	Post cat	Right	250-24493	
BBJ					07.01 -> 12.04	Pre cat	Left	250-25017	
BBJ					07.01 -> 12.04	Pre cat	Right	250-25017	
3.2 FSI	8EC	188	AUK		01.05 ->	Pre cat	Left	250-25017	
			AUK		01.05 ->	Pre cat	Right	250-25017	
			AUK		01.05 ->	Post cat	Left	250-24670	
			AUK		01.05 ->	Post cat	Right	250-24669	
3.2 FSI Quattro	8EC	188	AUK, BKH		01.05 ->	Pre cat	Left	250-25017	
			AUK, BKH		01.05 ->	Pre cat	Right	250-25017	
			AUK, BKH		01.05 ->	Post cat	Left	250-24670	
			AUK, BKH		01.05 ->	Post cat	Right	250-24669	
8K2	195		CALA		11.07 ->	Pre cat	Left	250-25017	
			CALA		11.07 ->	Pre cat	Right	250-25017	
			CALA		11.07 ->	Post cat	Left	250-24753	
			CALA		11.07 ->	Post cat	Right	250-24753	
RS4 Quattro	8EC	309	BNS		11.05 -> 06.08	Pre cat	Cyl 1-4	250-25039	
			BNS		11.05 -> 06.08	Pre cat	Cyl 5-8	250-25027	
			BNS		11.05 -> 06.08	Post cat	Cyl 1-4	250-24699	
			BNS		11.05 -> 06.08	Post cat	Cyl 5-8	250-24671	
S4 Quattro	8D2, B5	195	AGB, AZB		10.97 -> 11.00	Pre cat	Left	250-24395	
			AGB, AZB		10.97 -> 11.00	Pre cat	Right	250-24395	
			AGB, AZB		02.99 -> 10.00	Post cat	Left	250-24414	
			AGB, AZB		02.99 -> 10.00	Post cat	Right	250-24414	
	8EC	253	BBK		11.04 ->	Pre cat	Left	250-25002	
			BBK		11.04 ->	Pre cat	Right	250-25002	
			BBK		11.04 ->	Post cat	Left	250-24493	
			BBK		11.04 ->	Post cat	Right	250-24493	
			BBK		03.03 -> 12.04	Pre cat	Left	250-25002	
			BBK		03.03 -> 12.04	Pre cat	Right	250-25002	
8E2, B6	253	BBK		03.03 -> 12.04	Post cat	Left	250-24493		
		BBK		03.03 -> 12.04	Post cat	Right	250-24493		
<b>A4 Avant</b>									
1.6	8D5, B5	74	ADP, AHL, ARM		03.96 -> 07.00			250-24555	
			ADP, AHL, ARM		07.99 -> 07.99			250-24577	
			ANA		07.99 -> 07.99	Post cat		250-24431	
	8ED	75	ALZ		11.04 ->	Pre cat		250-24494	
			ALZ		11.04 ->	Post cat		250-24577	
	8E5, B6	75	ALZ		09.01 -> 12.04	Pre cat		250-24577	
			ALZ		09.01 -> 04.02	Post cat		250-24431	
			ALZ		05.02 -> 12.04	Post cat		250-24494	
			AFY		07.95 -> 12.98			250-24555	
			AFY		02.99 -> 09.01			250-24427	
8D5, B5	85	ADR		02.96 -> 12.98			250-24555		
		ADR		01.99 -> 04.99			250-24427		
		APT		04.99 -> 09.01			250-24427		
		ARG		02.99 -> 09.01			250-24427		
		AFY		07.95 -> 12.98			250-24555		
		AFY		02.99 -> 09.01			250-24427		
8D5, B5	92	APT		04.99 -> 09.01			250-24427		
		ARG		02.99 -> 09.01			250-24427		
		ADR		12.98 -> 09.01			250-24555		
		ADR		02.99 -> 04.99			250-24427		
		CDH		06.08 ->			250-25025		



Model / Liter	Body Code	kW	Engine Code	Application Identifier Engine or Chassis	Year From→ To	Position	Walker Direct Fit			
<b>AUDI (cont'd)</b>										
<b>A4 Avant (cont'd)</b>										
1.8 T	8E5, B6	110	AVJ		09.01 -> 06.02	Pre cat	250-25004			
			AVJ		09.01 -> 06.02	Post cat	250-24432			
			AEB, ANB		03.96 -> 07.96		250-24414			
			APU, ARK		03.96 -> 07.96		250-24414			
			AWT		03.96 -> 07.96		250-24414			
			APU		01.99 -> 09.01		250-24417			
			ANB		05.99 -> 09.01		250-24427			
			ANB		05.99 -> 09.01		250-24432			
			AEB		07.96 -> 07.97		250-24146			
			AEB		08.97 -> 07.98		250-24417			
			8E5, B6	120	BFB		07.02 -> 12.04	Pre cat	250-25004	
					BFB		07.02 -> 12.04	Post cat	250-24432	
			8ED	120	BFB		11.04 ->	Pre cat	250-25004	
					BFB		11.04 ->	Post cat	250-24432	
			8D5, B5	132	AJL		02.99 -> 09.01		250-24417	
AEB		12.97 -> 09.01				250-24146				
AEB	Fr. Ch. No. W-000 001	12.97 -> 07.98				250-24417				
8E5, B6	140	BEX		11.02 -> 12.04	Pre cat	250-25004				
		BEX		11.02 -> 12.04	Post cat	250-24432				
1.8 T Quattro	8D5, B5	110	AEB, ARK		02.96 -> 07.96		250-24414			
			ANB, APU		02.96 -> 07.96		250-24414			
			AWT		02.96 -> 07.96		250-24414			
			AEB, ARK	Fr. Ch. No. V-000 001	07.96 -> 07.97		250-24146			
			AEB, ARK	To Ch. No. V-400 000	07.96 -> 07.97		250-24146			
			ANB, APU	Fr. Ch. No. V-000 001	07.96 -> 07.97		250-24146			
			ANB, APU	To Ch. No. V-400 000	07.96 -> 07.97		250-24146			
			AWT	Fr. Ch. No. V-000 001	07.96 -> 07.97		250-24146			
			AWT	To Ch. No. V-400 000	07.96 -> 07.97		250-24146			
			AEB		08.97 -> 12.98		250-24417			
			APU		02.99 -> 09.01		250-24417			
			APU		02.99 -> 09.01		250-24427			
			ANB		07.99 -> 09.01		250-24427			
			ANB		07.99 -> 09.01		250-24432			
			AVJ		09.01 -> 06.02		250-25004			
			AVJ		09.01 -> 06.02		250-24432			
			8E5, B6	120	BFB		07.02 -> 12.04	Pre cat	250-25004	
					BFB		07.02 -> 12.04	Post cat	250-24432	
			8ED	120	BFB		11.04 ->	Pre cat	250-25004	
					BFB		11.04 ->	Post cat	250-24432	
			8E5, B6	125	AMB		09.01 -> 12.04	Pre cat	250-25004	
					AMB		09.01 -> 12.04	Post cat	250-24432	
			8D5, B5	132	AJL		12.97 -> 09.01		250-24417	
			8E5, B6	140	BEX		11.02 -> 12.04	Pre cat	250-25004	
					BEX		11.02 -> 12.04	Post cat	250-24432	
1.8 TFSI	8K5	118	CDH		06.08 ->		250-25025			
1.8 TFSI Quattro	8K5	118	CDHB		09.08 ->		250-25025			
2.0	8E5, B6	96	ALT		09.01 -> 12.04	Pre cat	250-25004			
			ALT		09.01 -> 12.04	Post cat	250-24432			
			ALT		11.04 ->	Pre cat	250-25004			
8ED	96	ALT		11.04 ->	Post cat	250-24432				
2.0 FSI	8E5, B6	110	AWA		07.02 -> 12.04	Pre cat	250-25004			
			AWA		07.02 -> 12.04	Post cat	250-24432			
2.0 TFSI	8K5	132	CDNB		06.08 ->		250-25025			
			BGB		11.04 -> 08.05	Pre cat	250-25031			
			BGB		11.04 -> 08.05	Post cat	250-24671			
			BWE		09.05 ->	Pre cat	250-25031			
			BWE		09.05 ->	Post cat	250-24671			
			8K5	155	CDNC		06.08 ->	Pre cat	250-25025	
			8ED	162	BUL		02.06 ->	Pre cat	250-25031	
					BUL		02.06 ->	Post cat	250-24671	
			2.0 TFSI Quattro	8ED	147	BGB		11.04 -> 08.05	Pre cat	250-25031
						BGB		11.04 -> 08.05	Post cat	250-24671
BUL		02.06 ->				Pre cat	250-25031			
BUL		02.06 ->				Post cat	250-24671			
BWE		09.05 ->				Pre cat	250-25031			
BWE		09.05 ->				Post cat	250-24671			
2.4	8D5, B5	110	AFM		07.95 -> 07.97	Pre cat	Left 250-23113			
			AFM		07.95 -> 07.97	Pre cat	Right 250-23113			





Model / Liter	Body Code	Engine kW	Engine Code	Application Identifier Engine or Chassis	Year From→To	Position	Walker Direct Fit			
<b>AUDI (cont'd)</b>										
<b>A4 Avant (cont'd)</b>										
2.4	8D5, B5	120	APZ		02.99 -> 09.01	Pre cat	Left	250-24395		
			APZ		02.99 -> 09.01	Pre cat	Right	250-24395		
			AMM		09.01 -> 12.04	Pre cat	Left	250-24494		
		AMM		09.01 -> 12.04	Pre cat	Right	250-24494			
		AMM		09.01 -> 12.04	Post cat	Left	250-24432			
		AMM		09.01 -> 12.04	Post cat	Right	250-24432			
	8D5, B5	121	ALF		08.97 -> 07.98	Pre cat	Left	250-24719		
			ALF		08.97 -> 07.98	Pre cat	Right	250-24719		
			APS, ARJ		02.99 -> 09.01	Pre cat	Left	250-24395		
		APS, ARJ		02.99 -> 09.01	Pre cat	Right	250-24395			
		8E5, B6	125	BDV		09.01 -> 12.04	Pre cat	Left	250-24494	
				BDV		09.01 -> 12.04	Pre cat	Right	250-24494	
BDV				09.01 -> 12.04	Post cat	Left	250-24432			
2.4 Quattro	8D5, B5	120	APZ		02.99 -> 09.01	Pre cat	Left	250-24395		
			APZ		02.99 -> 09.01	Pre cat	Right	250-24395		
			APZ		08.97 -> 07.98	Pre cat	Left	250-24719		
		APZ		08.97 -> 07.98	Pre cat	Right	250-24719			
		8D5, B5	121	APS, ARJ		02.99 -> 09.01	Pre cat	Left	250-24395	
				APS, ARJ		02.99 -> 09.01	Pre cat	Right	250-24395	
	AML				07.99 -> 09.01	Pre cat	Left	250-24395		
	AML			07.99 -> 09.01	Pre cat	Right	250-24395			
	AML			07.99 -> 09.01	Post cat	Left	250-24414			
	AML			07.99 -> 09.01	Post cat	Right	250-24414			
	2.6	8D5, B5	102	ACZ		01.96 -> 07.97	Pre cat	Left	250-23113	
				ACZ		01.96 -> 07.97	Pre cat	Right	250-23113	
8D5, B5			110	ACZ		02.96 -> 07.97	Pre cat	Left	250-23113	
		ABC			02.96 -> 07.98	Pre cat	Left	250-23113		
		ABC			02.96 -> 07.98	Pre cat	Right	250-23113		
2.6 Quattro		8D5, B5	110	ABC		02.96 -> 07.98	Pre cat	Left	250-23113	
	ABC				02.96 -> 07.98	Pre cat	Right	250-23113		
2.8	8D5, B5	128	AAH		03.96 -> 09.96			250-23113		
			8D5, B5	142	APR, AOD		01.99 -> 09.01	Pre cat	Left	250-24395
	APR, AOD				01.99 -> 09.01	Pre cat	Right	250-24395		
	2.8 Quattro	8D5, B5	128	ACK		10.96 -> 07.97	Pre cat	Left	250-24719	
ACK					10.96 -> 07.97	Pre cat	Right	250-24719		
2.8 Quattro	8D5, B5	128	AAH		01.96 -> 09.96	Pre cat		250-23113		
			8D5, B5	142	ACK		10.96 -> 07.98	Pre cat	Left	250-24719
					ACK		10.96 -> 07.98	Pre cat	Right	250-24719
		ALG		08.97 -> 07.98	Pre cat	Left	250-24719			
		ALG		08.97 -> 07.98	Pre cat	Right	250-24719			
		AMX		07.99 -> 09.01	Pre cat	Left	250-24395			
	8D5, B5	142	AMX		07.99 -> 09.01	Pre cat	Right	250-24395		
			AMX		06.00 -> 09.01	Post cat	Left	250-24414		
			AMX		06.00 -> 09.01	Post cat	Right	250-24414		
		APR, AOD		02.99 -> 09.01	Pre cat	Left	250-24395			
		APR, AOD		02.99 -> 09.01	Pre cat	Right	250-24395			
		3.0	8E5, B6	160	BBJ		09.01 -> 12.04	Pre cat	Left	250-25003
BBJ					09.01 -> 12.04	Pre cat	Right	250-25003		
BBJ					09.01 -> 04.02	Post cat	Left	250-24493		
BBJ	Fr. Ch. No. 2-400 000				09.01 -> 04.02	Post cat	Left	250-24427		
BBJ					05.02 -> 12.04	Post cat	Left	250-24427		
BBJ					09.01 -> 12.04	Post cat	Right	250-24493		
8ED	160		BBJ		11.04 -> 02.06	Pre cat	Left	250-25003		
			BBJ		11.04 -> 02.06	Pre cat	Right	250-25003		
			BBJ		11.04 -> 02.06	Post cat	Left	250-24427		
			BBJ		11.04 -> 02.06	Post cat	Right	250-24493		
			8E5, B6	162	ASN		09.01 -> 12.04	Pre cat	Left	250-25003
					ASN		09.01 -> 12.04	Pre cat	Right	250-25003
ASN	A/T	09.01 -> 04.02			Post cat	Left	250-24427			
ASN	M/T	09.01 -> 04.02	Post cat	Left	250-24493					
ASN	Fr. Ch. No. 3-000 001	05.02 -> 05.03	Post cat	Left	250-24427					
ASN		09.01 -> 12.04	Post cat	Right	250-24493					





Model / Liter	Body Code	kW	Engine Code	Application Identifier Engine or Chassis	Year From→ To	Position	Walker Direct Fit
<b>AUDI (cont'd)</b>							
<b>A4 Avant (cont'd)</b>							
3.0 Quattro	8E5, B6	160	BBJ		09.01 -> 05.06	Pre cat Left	250-25003
			BBJ		09.01 -> 05.06	Pre cat Right	250-25003
			BBJ	A/T	09.01 -> 05.03	Post cat Left	250-24427
			BBJ	M/T	09.01 -> 05.03	Post cat Left	250-24493
			BBJ	Fr. Ch. No. 4-000 001	06.03 -> 12.04	Post cat Left	250-24427
			BBJ		09.01 -> 12.04	Post cat Right	250-24493
	8E5, B6	162	ASN		09.01 -> 12.04	Pre cat Left	250-25003
			ASN		09.01 -> 12.04	Pre cat Right	250-25003
			ASN	A/T	09.01 -> 04.02	Post cat Left	250-24427
			ASN		09.01 -> 12.04	Post cat Left	250-24493
			ASN		09.01 -> 12.04	Post cat Right	250-24493
			AVK		09.01 -> 12.04	Pre cat Left	250-25003
			AVK		09.01 -> 12.04	Pre cat Right	250-25003
			AVK		09.01 -> 06.02	Post cat Left	250-24432
			AVK		09.01 -> 06.02	Post cat Right	250-24432
			BBJ		09.01 -> 12.04	Pre cat Left	250-25003
			BBJ		09.01 -> 12.04	Pre cat Right	250-25003
			BBJ		05.02 -> 12.04	Post cat Left	250-24493
			BBJ		09.01 -> 12.04	Post cat Right	250-24493
3.2 FSI	8ED	188	AUK		01.05 ->	Pre cat Left	250-25017
			AUK		01.05 ->	Pre cat Right	250-25017
			AUK		01.05 ->	Post cat Left	250-24670
			AUK		01.05 ->	Post cat Right	250-24669
3.2 FSI Quattro	8ED	188	AUK		01.05 ->	Pre cat Left	250-25017
			AUK		01.05 ->	Pre cat Right	250-25017
			AUK		01.05 ->	Post cat Left	250-24670
			AUK		01.05 ->	Post cat Right	250-24669
	8K5	195	CALA		04.08 ->	Pre cat	250-25017
			CALA		04.08 ->	Post cat	250-24753
RS4 Quattro	8D5, B5	280	ASJ		06.00 -> 10.00	Pre cat Left	250-24395
	8D5, B5	280	ASJ		06.00 -> 10.00	Pre cat Right	250-24395
	8D5, B5	280	ASJ		06.00 -> 10.00	Post cat Left	250-24414
	8D5, B5	280	ASJ		06.00 -> 10.00	Post cat Right	250-24414
	8D5, B5	280	AZR		11.00 -> 09.01	Pre cat Left	250-24395
	8D5, B5	280	AZR		11.00 -> 09.01	Pre cat Right	250-24395
	8D5, B5	280	AZR		11.00 -> 09.01	Post cat Left	250-24414
	8D5, B5	280	AZR		11.00 -> 09.01	Post cat Right	250-24414
	8ED	309	BNS		11.05 -> 06.08	Pre cat Cyl 1-4	250-25039
			BNS		11.05 -> 06.08	Pre cat Cyl 5-8	250-25027
			BNS		11.05 -> 06.08	Post cat Cyl 1-4	250-24699
			BNS		11.05 -> 06.08	Post cat Cyl 5-8	250-24671
S4 Quattro	8D5, B5	195	AGB, AZB		10.97 -> 09.01	Pre cat Left	250-24395
			AGB, AZB		10.97 -> 09.01	Pre cat Right	250-24395
			AGB, AZB		02.99 -> 09.01	Post cat Left	250-24414
			AGB, AZB		02.99 -> 09.01	Post cat Right	250-24414
	8E5, B6	253	BBK		03.03 -> 12.04	Pre cat Left	250-25002
			BBK		03.03 -> 12.04	Pre cat Right	250-25002
			BBK		03.03 -> 12.04	Post cat Left	250-24493
			BBK		03.03 -> 12.04	Post cat Right	250-24493
	8ED	253	BBK		11.04 ->	Pre cat Left	250-25002
			BBK		11.04 ->	Pre cat Right	250-25002
			BBK		11.04 ->	Post cat Left	250-24493
			BBK		11.04 ->	Post cat Right	250-24493
<b>A4 Convertible</b>							
1.8 T	8H7, 8HE	120	BFB		07.02 -> 12.05	Pre cat	250-25004
			BFB		07.02 -> 12.05	Post cat	250-24432
1.8 T Quattro	8H7, 8HE	120	BFB		06.03 ->	Pre cat	250-25004
			BFB		06.03 -> 12.05	Post cat	250-24432
2.0	8H7, 8HE	96	ALT		11.04 ->	Pre cat	250-25004
			ALT		11.04 -> 12.05	Post cat	250-24432
2.0 TFSI	8H7, 8HE	147	BWE		01.06 ->	Pre cat	250-25031
			BWE		01.06 ->	Post cat	250-24671
2.4	8H7, 8HE	120	AMM		04.02 ->	Pre cat Left	250-24494
			AMM		04.02 ->	Pre cat Right	250-24494
			AMM		04.02 ->	Post cat Left	250-24432
			AMM		04.02 ->	Post cat Right	250-24432



Model / Liter	Body Code	Engine kW	Engine Code	Application Identifier Engine or Chassis	Year From→To	Position	Walker Direct Fit
<b>AUDI (cont'd)</b>							
<b>A4 Convertible (cont'd)</b>							
2.4	8H7, 8HE	125	BDV		04.02 ->	Pre cat Left	250-24494
			BDV		04.02 ->	Pre cat Right	250-24494
			BDV		04.02 ->	Post cat Left	250-24432
			BDV		04.02 ->	Post cat Right	250-24432
3.0	8H7, 8HE	162	ASN, BBJ		04.02 -> 12.05	Pre cat Left	250-25003
			ASN, BBJ		04.02 -> 12.05	Pre cat Right	250-25003
			ASN, BBJ		04.02 -> 12.05	Post cat Left	250-24427
			ASN, BBJ		04.02 -> 12.05	Post cat Right	250-24493
3.0 Quattro	8H7, 8HE	162	ASN		06.03 -> 12.05	Pre cat Left	250-25003
			ASN		06.03 -> 12.05	Pre cat Right	250-25003
			ASN	A/T	06.03 -> 12.05	Post cat Right	250-24493
			ASN	M/T	06.03 -> 12.05	Post cat Left	250-24427
			ASN		06.03 -> 12.05	Post cat Right	250-24493
3.2 FSI Quattro	8H7, 8HE	188	AUK		01.06 ->	Pre cat Left	250-25017
			AUK		01.06 ->	Pre cat Right	250-25017
			AUK		01.06 ->	Post cat Left	250-24670
			AUK		01.06 ->	Post cat Right	250-24669
3.2 FSI	8H7, 8HE	188	AUK		01.06 ->	Pre cat Left	250-25017
			AUK		01.06 ->	Pre cat Right	250-25017
			AUK		01.06 ->	Post cat Left	250-24670
			AUK		01.06 ->	Post cat Right	250-24669
S4 Quattro	8H7, 8HE	253	BBK		03.04 ->	Pre cat Left	250-25002
			BBK		03.04 ->	Pre cat Right	250-25002
			BBK		03.04 ->	Post cat Left	250-24493
			BBK		03.04 ->	Post cat Right	250-24493
RS4 Quattro	8H7, 8HE	309	BNS		06.06 ->	Pre cat Cyl 1-4	250-25039
			BNS		06.06 ->	Post cat Cyl 5-8	250-24699
			BNS		06.06 ->	Pre cat Cyl 1-4	250-25027
			BNS		06.06 ->	Post cat Cyl 5-8	250-24671
<b>A5</b>							
2.0 TFSI		155	CDNC		06.08 ->		250-25025
2.0 TFSI Quattro		155	CDNC		06.08 ->		250-25025
3.2 FSI		195	CALA		06.07 ->	Pre cat Left	250-25017
			CALA		06.07 ->	Pre cat Right	250-25017
			CALA		06.07 ->	Post cat Left	250-24753
			CALA		06.07 ->	Post cat Right	250-24753
3.2 FSI Quattro		195	CAL		06.07 ->	Pre cat Left	250-25017
			CAL		06.07 ->	Pre cat Right	250-25017
			CAL		06.07 ->	Post cat Left	250-24753
			CAL		06.07 ->	Post cat Right	250-24753
S5 Quattro		260	CAU		06.07 ->	Pre cat Left	250-25038
			CAU		06.07 ->	Pre cat Right	250-25038
			CAU		06.07 ->	Post cat Left	250-24692
			CAU		06.07 ->	Post cat Right	250-24692
<b>A6</b>							
1.8	4B, C5	85	AFY		05.97 -> 10.98		250-24555
			AFY		10.98 -> 08.00		250-24427
	4A, C4	92	ADR		07.96 -> 10.97		250-24547
			AJP		10.98 -> 04.99		250-24427
			AJP		09.99 -> 01.05		250-24555
			ANQ		12.97 -> 10.98		250-24555
			AQE, ARH		01.99 -> 05.01		250-24427
1.8 Quattro	4A, C4	92	ADR		12.95 -> 10.97		250-24547
1.8 T	4B, C5	110	AEB		04.97 -> 01.99		250-24417
			ANB		01.99 -> 05.01	Pre cat	250-24427
			ANB		01.99 -> 05.01	Post cat	250-24432
			APU		01.99 -> 05.99		250-24427
			ARK		11.98 -> 05.01		250-24427
			AWT		05.00 -> 05.04	Pre cat	250-25004
			AWT		05.00 -> 05.04	Post cat	250-24432
	4B, C5	132	AJL		12.97 -> 05.01		250-24417
1.8 T Quattro	4B, C5	110	AEB		04.97 -> 01.99		250-24417
			ANB		01.99 -> 05.01	Pre cat	250-24427
			ANB		01.99 -> 05.01	Post cat	250-24432
			APU		11.98 -> 05.01		250-24427
			ARK		01.99 -> 05.99		250-24427
			AEB, ARK		05.00 -> 05.04		250-25004
			ANB, APU		05.00 -> 05.04		250-25004



Model / Liter	Body Code	kW	Engine Code	Application Identifier Engine or Chassis	Year From→ To	Position	Walker Direct Fit
<b>AUDI (cont'd)</b>							
<b>A6 (cont'd)</b>							
1.8 T Quattro	4B, C5	110	AWT		05.00 -> 05.04	Pre cat	250-25004
			AWT		05.00 -> 05.04	Post cat	250-24432
	4B, C5	132	AJL		12.97 -> 05.01		250-24417
2.0	4A, C4	74	AAE	w/ Cat.	07.95 -> 06.96		250-23032
			AAE	w/o Cat.	07.95 -> 06.96		250-23019
	4A, C4	85	ABK		07.94 -> 10.97		250-23048
	4B, C5	96	ALT		08.01 -> 05.04	Pre cat	250-25004
			ALT		08.01 -> 05.04	Post cat	250-24432
2.0 16V	4A, C4	103	ACE		07.94 -> 10.97		250-23048
2.0 16V Quattro	4A, C4	103	ACE		07.94 -> 10.97		250-23048
2.0 TFSI	4F2	125	BPJ		06.05 ->	Pre cat	250-25031
			BPJ		06.05 ->	Post cat	250-24671
2.3	4A, C4	98	AAR		07.94 -> 12.95		250-23048
2.3 Quattro	4A, C4	98	AAR		08.94 -> 12.95		250-23048
2.4	4B, C5	100	ARN, ASM		07.98 -> 12.98	Pre cat Left	250-24719
			ARN, ASM		07.98 -> 12.98	Pre cat Right	250-24719
			ARN, ASM		07.98 -> 01.05	Post cat	• 250-24414
			ALW		07.98 -> 12.98	Pre cat Left	250-24719
			ALW		07.98 -> 12.98	Pre cat Right	250-24719
			ALW	Fr. Ch. No. X-.067 801	12.98 -> 01.99	Pre cat Left	250-24395
			ALW	Fr. Ch. No. X-.067 801	12.98 -> 01.99	Pre cat Right	250-24395
			ALW		07.98 -> 01.05	Post cat	• 250-24414
			ARN		01.99 -> 05.01	Pre cat Left	250-24395
			ARN		01.99 -> 05.01	Pre cat Right	250-24395
			ASM		06.00 -> 05.01	Pre cat Left	250-24395
			ASM		06.00 -> 05.01	Pre cat Right	250-24395
			ASM		06.00 -> 05.01	Post cat Left	250-24414
			ASM		06.00 -> 05.01	Post cat Right	250-24414
			ASM		06.01 -> 05.04	Pre cat Left	250-24494
			ASM		06.01 -> 05.04	Pre cat Right	250-24494
			ASM		06.01 -> 05.04	Post cat Left	250-24493
			ASM		06.01 -> 05.04	Post cat Right	250-24493
	4B, C5	115	APC		04.98 -> 12.98	Pre cat Left	250-24719
			APC		04.98 -> 12.98	Pre cat Right	250-24719
			APC	Fr. Ch. No. X-067 801	12.98 -> 05.01	Pre cat Left	250-24395
			APC	Fr. Ch. No. X-067 801	12.98 -> 05.01	Pre cat Right	250-24395
	4B, C5	120	AJG		02.97 -> 01.05	Pre cat Left	250-24719
			AJG		02.97 -> 01.05	Pre cat Right	250-24719
			AJG		04.97 -> 12.98	Pre cat Left	250-24719
			AJG		04.97 -> 12.98	Pre cat Right	250-24719
			AJG	Fr. Ch. No. X-067 801	12.98 -> 01.99	Pre cat Left	250-24395
			AJG	Fr. Ch. No. X-067 801	12.98 -> 01.99	Pre cat Right	250-24395
			AMM		06.01 -> 05.04	Pre cat Left	250-24494
			AMM		06.01 -> 05.04	Pre cat Right	250-24494
			AMM		06.01 -> 05.04	Post cat Left	250-24493
			AMM		06.01 -> 05.04	Post cat Right	250-24493
			APZ		11.98 -> 12.98		250-24719
			APZ		12.98 -> 05.01	Pre cat Left	250-24395
			APZ		12.98 -> 05.01	Pre cat Right	250-24395
	4B, C5	121	AFM		02.97 -> 03.97		250-23028
			AGA		04.97 -> 07.98	Pre cat Left	250-24719
			AGA		04.97 -> 07.98	Pre cat Right	250-24719
			AGA, ALF		12.98 -> 01.99	Pre cat Left	250-24395
			AGA, ALF		12.98 -> 01.99	Pre cat Right	250-24395
			AGA, ALF		06.00 -> 01.05	Post cat Left	250-24414
			AGA, ALF		06.00 -> 01.05	Post cat Right	250-24414
			ALF		06.97 -> 12.98	Pre cat Left	250-24719
			ALF		06.97 -> 12.98	Pre cat Right	250-24719
			AML		06.00 -> 05.01	Pre cat Left	250-24395
			AML		06.00 -> 05.01	Pre cat Right	250-24395
			AML, ARJ		06.00 -> 01.05	Post cat Left	250-24414
			AML, ARJ		06.00 -> 01.05	Post cat Right	250-24414
			APS		06.00 -> 01.05	Post cat Left	250-24414
			APS		06.00 -> 01.05	Post cat Right	250-24414
			APS, ARJ		11.98 -> 12.98	Pre cat Left	250-24719
			APS, ARJ		11.98 -> 12.98	Pre cat Right	250-24719
			APS	Fr. Ch. No. X-067 801	12.98 -> 05.01	Pre cat Left	250-24395
			APS	Fr. Ch. No. X-067 801	12.98 -> 05.01	Pre cat Right	250-24395



Model / Liter	Body Code	Engine kW	Engine Code	Application Identifier Engine or Chassis	Year From→ To	Position	Walker Direct Fit	
<b>AUDI (cont'd)</b>								
<b>A6 (cont'd)</b>								
2.4	4B, C5	121	ARJ		01.99 -> 05.01	Pre cat	Left	250-24395
			ARJ		01.99 -> 05.01	Pre cat	Right	250-24395
	4B, C5	125	AMM		08.01 -> 01.05	Pre cat	Left	250-24395
			AMM		08.01 -> 01.05	Pre cat	Right	250-24395
			AMM		08.01 -> 01.05	Post cat	Left	250-24414
			AMM		08.01 -> 01.05	Post cat	Right	250-24414
			BDV		08.01 -> 05.04	Pre cat	Left	250-24494
			BDV		08.01 -> 05.04	Pre cat	Right	250-24494
			BDV		08.01 -> 05.04	Post cat	Left	250-24493
	4F2	130	BDW		05.04 ->	Pre cat	Left	250-25017
			BDW		05.04 ->	Pre cat	Right	250-25017
			BDW		05.04 ->	Post cat	Left	250-24669
			BDW		05.04 ->	Post cat	Right	250-24670
2.4 Quattro	4B, C5	115	APC		08.98 -> 12.98	Pre cat	Left	250-24719
			APC		08.98 -> 12.98	Pre cat	Right	250-24719
			APC		12.98 -> 07.99	Pre cat	Left	250-24395
	4B, C5	120	AJG		12.98 -> 07.99	Pre cat	Right	250-24395
			AJG		05.97 -> 12.98	Pre cat	Left	250-24719
			AJG		05.97 -> 12.98	Pre cat	Right	250-24719
			APZ		11.98 -> 12.98	Pre cat	Left	250-24719
	4B, C5	121	APZ		11.98 -> 12.98	Pre cat	Right	250-24719
			AJG, APZ	Fr. Ch. No. X-067 801	12.98 -> 05.01	Pre cat	Left	250-24395
			AJG, APZ	Fr. Ch. No. X-067 801	12.98 -> 05.01	Pre cat	Right	250-24395
			AGA		04.97 -> 12.98	Pre cat	Left	250-24719
			AGA		04.97 -> 12.98	Pre cat	Right	250-24719
			AGA, ALF	Fr. Ch. No. X-067 801	12.98 -> 01.99	Pre cat	Left	250-24395
AGA, ALF			Fr. Ch. No. X-067 801	12.98 -> 01.99	Pre cat	Right	250-24395	
ALF				06.97 -> 12.98	Pre cat	Left	250-24719	
ALF				06.97 -> 12.98	Pre cat	Right	250-24719	
AML				06.00 -> 05.01	Pre cat	Left	250-24395	
4B, C5	125	AML		06.00 -> 05.01	Pre cat	Right	250-24395	
		AML, ARJ		06.00 -> 05.01	Post cat	Left	250-24414	
		AML, ARJ		06.00 -> 05.01	Post cat	Right	250-24414	
		AGA, ALF		06.00 -> 05.01	Post cat	Left	250-24414	
		AGA, ALF		06.00 -> 05.01	Post cat	Right	250-24414	
		APS		06.00 -> 05.01	Post cat	Right	250-24414	
		APS		06.00 -> 05.01	Post cat	Right	250-24414	
		APS, ARJ		11.98 -> 12.98	Pre cat	Left	250-24719	
		APS, ARJ		11.98 -> 12.98	Pre cat	Right	250-24719	
		APS, ARJ	Fr. Ch. No. X-067 801	12.98 -> 05.01	Pre cat	Left	250-24395	
		APS, ARJ	Fr. Ch. No. X-067 801	12.98 -> 05.01	Pre cat	Right	250-24395	
		BDV		08.01 -> 05.04	Pre cat	Left	250-24494	
		BDV		08.01 -> 05.04	Pre cat	Right	250-24494	
BDV		08.01 -> 05.04	Post cat	Left	250-24493			
4F2	130	BDW		08.01 -> 05.04	Post cat	Right	250-24493	
		BDW		01.05 ->	Pre cat	Left	250-25017	
		BDW		01.05 ->	Pre cat	Right	250-25017	
		BDW		01.05 ->	Post cat	Left	250-24669	
2.6	4A, C4	102	ACZ		06.94 -> 10.97			250-23032
			ABC		07.94 -> 10.97			250-23032
2.6 Quattro	4A, C4	110	ABC		07.94 -> 03.97			250-23028
2.7 T	4B, C5	169	AJK		02.99 -> 05.01	Pre cat	Left	250-24395
			AJK		02.99 -> 05.01	Pre cat	Right	250-24395
2.7 T Quattro	4B, C5	169	AJK		03.98 -> 07.98	Pre cat	Left	250-24719
			AJK		03.98 -> 07.98	Pre cat	Right	250-24719
			AJK		02.99 -> 05.01	Pre cat	Left	250-24395
			AJK		02.99 -> 05.01	Pre cat	Right	250-24395
			ARE		08.01 -> 06.02	Pre cat	Left	250-24494
	4B, C5	184	ARE		08.01 -> 06.02	Pre cat	Right	250-24494
			ARE		08.01 -> 06.02	Post cat	Left	250-24493
			ARE		08.01 -> 06.02	Post cat	Right	250-24493
			BES		07.02 -> 05.04	Pre cat	Left	250-24494
			BES		07.02 -> 05.04	Pre cat	Right	250-24494
2.8	4A, C4	128	BES		07.02 -> 05.04	Post cat	Left	250-24493
			BES		07.02 -> 05.04	Post cat	Right	250-24493
			AAH		07.95 -> 10.97			250-23028
			AEJ		07.94 -> 10.97			250-23028





Model / Liter	Body Code	kW	Engine Code	Application Identifier Engine or Chassis	Year From→ To	Position	Walker Direct Fit	
<b>AUDI (cont'd)</b>								
<b>A6 (cont'd)</b>								
2.8	4B, C5	132	AGE		10.97 -> 07.98	Pre cat	Left	250-24719
			AGE		10.97 -> 07.98	Pre cat	Right	250-24719
			AGE	Fr. Ch. No. X-067 801	10.97 -> 07.98	Pre cat	Left	250-24395
			AGE	Fr. Ch. No. X-067 801	10.97 -> 07.98	Pre cat	Right	250-24395
	4B, C5	140	APR		07.99 -> 01.05	Pre cat	Left	250-24395
			APR		07.99 -> 01.05	Pre cat	Right	250-24395
			ATX		07.99 -> 05.01	Pre cat	Left	250-24395
			ATX		07.99 -> 05.01	Pre cat	Right	250-24395
	4B, C5	142	ACK		04.97 -> 01.05	Pre cat	Left	250-24719
			ACK		04.97 -> 01.05	Pre cat	Right	250-24719
			ACK	Fr. Ch. No. X-067 801	12.98 -> 01.99	Pre cat	Left	250-24395
			ACK	Fr. Ch. No. X-067 801	12.98 -> 01.99	Pre cat	Right	250-24395
			ALG		08.98 -> 01.05	Pre cat	Left	250-24719
			ALG		08.98 -> 01.05	Pre cat	Right	250-24719
			ALG	Fr. Ch. No. X-067 801	12.98 -> 01.99	Pre cat	Left	250-24395
			ALG	Fr. Ch. No. X-067 801	12.98 -> 01.99	Pre cat	Right	250-24395
			AMX		06.00 -> 05.01	Pre cat	Left	250-24395
			AMX		06.00 -> 05.01	Pre cat	Right	250-24395
			AMX		06.00 -> 05.01	Post cat	Left	250-24414
			AMX		06.00 -> 05.01	Post cat	Right	250-24414
			APR, AOD		11.98 -> 12.98	Pre cat	Left	250-24719
			APR, AOD		11.98 -> 12.98	Pre cat	Right	250-24719
			APR		12.98 -> 05.01	Pre cat	Left	250-24395
			APR		12.98 -> 05.01	Pre cat	Right	250-24395
			AOD		12.98 -> 05.01	Pre cat	Left	250-24395
			AOD		12.98 -> 05.01	Pre cat	Right	250-24395
2.8 FSI	4F2	154	BDX		11.06 -> 09.08	Pre cat	Left	250-25017
			BDX		11.06 -> 09.08	Pre cat	Right	250-25017
			BDX		11.06 -> 09.08	Post cat	Left	250-24669
			BDX		11.06 -> 09.08	Post cat	Right	250-24670
2.8 FSI Quattro	4F2	154	BDX		06.07 -> 09.08	Pre cat	Left	250-25017
			BDX		06.07 -> 09.08	Pre cat	Right	250-25017
			BDX		06.07 -> 09.08	Post cat	Left	250-24669
			BDX		06.07 -> 09.08	Post cat	Right	250-24670
2.8 Quattro	4A, C4	128	AAH		07.94 -> 10.97			250-23028
			AEJ		07.95 -> 10.97			250-23028
	4B, C5	132	AGE		04.98 -> 12.98	Pre cat	Left	250-24719
			AGE		04.98 -> 12.98	Pre cat	Right	250-24719
			AGE	Fr. Ch. No. X067801	01.98 -> 04.00	Pre cat	Left	250-24395
			AGE	Fr. Ch. No. X067801	01.98 -> 04.00	Pre cat	Right	250-24395
	4B, C5	140	ATX		07.99 -> 05.01	Pre cat	Left	250-24395
			ATX		07.99 -> 05.01	Pre cat	Right	250-24395
	4A, C4	142	ACK		12.95 -> 10.97	Pre cat		250-24719
			ACK		04.97 -> 12.98	Pre cat	Left	250-24719
			ACK		04.97 -> 12.98	Pre cat	Right	250-24719
			ACK	Fr. Ch. No. X-067 801	12.98 -> 12.98	Pre cat	Left	250-24395
			ACK	Fr. Ch. No. X-067 801	12.98 -> 12.98	Pre cat	Right	250-24395
			ALG		06.97 -> 01.99	Pre cat	Left	250-24719
			ALG		06.97 -> 01.99	Pre cat	Right	250-24719
			AMX		06.00 -> 05.01	Pre cat	Left	250-24395
			AMX		06.00 -> 05.01	Pre cat	Right	250-24395
			APR		01.99 -> 05.01	Pre cat	Left	250-24395
			APR		01.99 -> 05.01	Pre cat	Right	250-24395
			AOD	Fr. Ch. No. X-067 800	11.98 -> 12.98	Pre cat	Left	250-24719
			AOD	Fr. Ch. No. X-067 800	11.98 -> 12.98	Pre cat	Right	250-24719
			AOD		01.99 -> 05.01	Pre cat	Left	250-24395
			AOD		01.99 -> 05.01	Pre cat	Right	250-24395
			AOD		01.99 -> 05.01	Pre cat	Left	250-24414
			AOD		01.99 -> 05.01	Pre cat	Right	250-24414
2.8 Quattro	4B, C5	142	ACK, APR		06.00 -> 05.01	Post cat	Left	250-24414
			ACK, APR		06.00 -> 05.01	Post cat	Right	250-24414
			ALG, AOD		06.00 -> 05.01	Post cat	Left	250-24414
			ALG, AOD		06.00 -> 05.01	Post cat	Right	250-24414
			AMX		06.00 -> 05.01	Post cat	Left	250-24414
			AMX		06.00 -> 05.01	Post cat	Right	250-24414
3.0	4B, C5	162	ASN		08.01 -> 05.04	Pre cat	Left	250-25003
			ASN		08.01 -> 05.04	Pre cat	Right	250-25003
			ASN		08.01 -> 05.04	Post cat	Left	250-24493
			ASN		08.01 -> 05.04	Post cat	Right	250-24493





Model / Liter	Body Code	Engine kW	Engine Code	Application Identifier Engine or Chassis	Year From→To	Position	Walker Direct Fit	
<b>AUDI (cont'd)</b>								
<b>A6 (cont'd)</b>								
3.0 Quattro	4F2	160	BBJ		05.04 -> 05.04	Pre cat	Left	250-25003
			BBJ		05.04 -> 05.04	Pre cat	Right	250-25003
			BBJ		05.04 -> 05.04	Post cat	Left	250-24493
			BBJ		05.04 -> 05.04	Post cat	Right	250-24493
			BBJ	A/T	05.04 -> 05.06	Post cat	Left	250-24672
	4B, C5	162	ASN		05.04 -> 05.06	Post cat	Right	250-24671
			ASN		08.01 -> 05.04	Pre cat	Left	250-25003
			ASN		08.01 -> 05.04	Pre cat	Right	250-25003
			ASN		08.01 -> 05.04	Post cat	Left	250-24493
			ASN		08.01 -> 05.04	Post cat	Right	250-24493
3.2 FSI	4F2	188	AUK, BKH		05.04 ->	Pre cat	Left	250-25017
			AUK, BKH		05.04 ->	Pre cat	Right	250-25017
			AUK, BKH		05.04 ->	Post cat	Left	250-24669
			AUK, BKH		05.04 ->	Post cat	Right	250-24670
3.2 FSI Quattro	4F2	188	AUK, BKH		05.04 ->	Pre cat	Left	250-25017
			AUK, BKH		05.04 ->	Pre cat	Right	250-25017
			AUK, BKH		07.04 ->	Post cat	Left	250-24669
			AUK, BKH		05.04 ->	Post cat	Right	250-24670
4.2 Quattro	4B, C5	220	ARS		04.99 -> 05.01	Pre cat	Left	250-24395
			ARS		04.99 -> 05.01	Pre cat	Right	250-24395
			ASG		06.00 -> 05.04	Pre cat	Left	250-24395
			ASG		06.00 -> 05.04	Pre cat	Right	250-24395
			ASG		06.01 -> 05.04	Post cat	Left	250-24414
	4F2	246	AWN, ARS		06.01 -> 05.04	Post cat	Right	250-24414
			AWN, ARS		11.98 -> 01.05	Pre cat	Left	250-24395
			AWN, ARS		11.98 -> 01.05	Pre cat	Right	250-24395
			BAT		05.04 ->	Pre cat	Left	250-25019
			BAT		05.04 ->	Pre cat	Right	250-25019
4.2 FSI Quattro	4F2	257	BAT		05.04 ->	Post cat	Left	250-24671
			BAT		05.04 ->	Post cat	Right	250-24672
			BVJ		06.06 ->	Pre cat	Left	250-25019
			BVJ		06.06 ->	Pre cat	Right	250-25019
RS6	4B, C5	331	BVJ		06.06 ->	Post cat	Left	250-24671
			BVJ		06.06 ->	Post cat	Right	250-24672
			BCY		07.02 -> 04.04	Pre cat	Left	250-24394
			BCY		07.02 -> 04.04	Pre cat	Right	250-24394
S6 4.2 Quattro	4A, C4	213	BCY		07.02 -> 04.04	Post cat	Left	250-24414
			BCY		07.02 -> 04.04	Post cat	Right	250-24414
S6 Plus Quattro	4A, C4	240	AEC		07.94 -> 10.97		250-23048	
			AHK		06.96 -> 10.97	Pre cat	Left	250-24417
S6 Quattro	4B, C5	250	AHK		06.96 -> 10.97	Pre cat	Right	250-24417
			ANK, AQJ		09.00 -> 05.01	Pre cat	Left	250-24395
			ANK, AQJ		09.00 -> 05.01	Pre cat	Right	250-24395
			ANK, AQJ		09.00 -> 05.01	Post cat	Left	250-24414
			ANK, AQJ		09.00 -> 05.01	Post cat	Right	250-24414
	4F2	320	BXA		09.00 -> 05.01	Post cat	Right	250-24414
			BXA		06.06 ->	Pre cat	Cyl 1-3	250-25038
			BXA		06.06 ->	Pre cat	Cyl 4, 5	250-25015
			BXA		06.06 ->	Pre cat	Cyl 6-8	250-25030
			BXA		06.06 ->	Pre cat	Cyl 9, 10	250-25027
S6 Turbo Quattro	4A, C4	169	BXA		06.06 ->	Post cat	Cyl 1-3	250-24692
			BXA		06.06 ->	Post cat	Cyl 4, 5	250-24699
			BXA		06.06 ->	Post cat	Cyl 6-8	250-24672
			BXA		06.06 ->	Post cat	Cyl 9, 10	250-24767
			AAN	w/ Cat. w/o Cat.	06.94 -> 10.97		250-23048	
AAN		07.94 -> 10.97		250-23019				
<b>A6 Allroad</b>								
3.2 FSI Quattro	4FH	188	AUK		05.06 ->	Pre cat	Left	250-25017
			AUK		05.06 ->	Pre cat	Right	250-25017
			AUK		05.06 ->	Post cat	Left	250-24669
			AUK		05.06 ->	Post cat	Right	250-24670
4.2 FSI Quattro	4FH	257	BVJ		05.06 ->	Pre cat	Left	250-25019
			BVJ		05.06 ->	Pre cat	Right	250-25019
			BVJ		05.06 ->	Post cat	Left	250-24671
			BVJ		05.06 ->	Post cat	Right	250-24672
<b>A6 Avant</b>								
1.8	4B, C5	85	AFY		02.98 -> 10.98		250-24555	
	4A, C4	92	ADR	Fr. Ch. No. X-036 901	10.98 -> 05.01		250-24427	
					12.95 -> 10.97		250-24547	



Model / Liter	Body Code	kW	Engine Code	Application Identifier Engine or Chassis	Year From→ To	Position	Walker Direct Fit
<b>AUDI (cont'd)</b>							
<b>A6 Avant (cont'd)</b>							
1.8	4A, C4	92	AJP	Fr. Ch. No. X-036 901	02.98 -> 10.98		250-24555
			AJP		10.98 -> 04.99		250-24427
			AQE, ARH		01.99 -> 05.01		250-24427
1.8 Quattro	4A, C4	92	ADR		12.95 -> 09.97		250-24547
	4B, C5	110	ANB		01.99 -> 05.01	Pre cat	250-24427
			ANB		01.99 -> 05.01	Post cat	250-24432
			ARK		01.99 -> 04.99		250-24427
			AEB, ARK		02.98 -> 01.99		250-24417
			AEB, ARK		05.00 -> 01.05	Pre cat	250-25004
			AEB, ARK		05.00 -> 01.05	Post cat	250-24432
			ANB, APU		02.98 -> 01.99		250-24417
			ANB, APU		05.00 -> 01.05	Pre cat	250-25004
			ANB, APU		05.00 -> 01.05	Post cat	250-24432
			AWT		02.98 -> 01.99		250-24417
			AWT		05.00 -> 01.05	Pre cat	250-25004
			AWT		05.00 -> 01.05	Post cat	250-24432
	4B, C5	132	AJL		02.98 -> 05.01		250-24417
1.8 T	4B, C5	110	AEB		02.98 -> 01.99		250-24417
			AEB, ANB		05.00 -> 01.05		250-25004
			APU, ARK		05.00 -> 01.05		250-25004
			AWT		05.00 -> 01.05		250-25004
			AJL		02.98 -> 07.98		250-24417
			APU		11.98 -> 05.01		250-24427
			ARK		01.99 -> 05.99	Pre cat	250-24427
			AWT		05.00 -> 01.05	Post cat	250-24432
			ANB		01.99 -> 05.01	Pre cat	250-24427
			ANB		01.99 -> 05.01	Post cat	250-24432
	4B, C5	132	AJL		04.99 -> 05.01		250-24417
2.0	4A, C4	74	AAE		06.94 -> 08.96		250-23019
	4A, C4	85	ABK		07.94 -> 06.96		250-23048
	4B, C5	96	ALT		08.01 -> 01.05	Pre cat	250-25004
			ALT		08.01 -> 01.05	Post cat	250-24432
2.0 16V	4A, C4	103	ACE		07.94 -> 09.97		250-23048
2.0 16V Quattro	4A, C4	103	ACE		07.94 -> 09.97		250-23048
2.0 TFSI	4F5	125	BPJ		06.05 ->	Pre cat	250-25031
			BPJ		06.05 ->	Post cat	250-24671
2.3	4A, C4	98	AAR		07.94 -> 12.95		250-23048
2.3 Quattro	4A, C4	98	AAR		08.94 -> 12.95		250-23048
2.4	4B, C5	100	ARN, ASM		07.98 -> 12.98	Pre cat Left	250-24719
			ALW		07.98 -> 12.98	Pre cat Left	250-24719
			ARN, ASM		07.98 -> 12.98	Pre cat Right	250-24719
			ALW		07.98 -> 12.98	Pre cat Right	250-24719
			ALW	Fr. Ch. No. X-067 801	12.98 -> 01.99	Pre cat Left	250-24395
			ALW	Fr. Ch. No. X-067 801	12.98 -> 01.99	Pre cat Right	250-24395
			ARN		01.99 -> 05.01	Pre cat Left	250-24395
			ARN		01.99 -> 05.01	Pre cat Right	250-24395
			ARN, ASM		06.00 -> 05.01	Post cat Left	250-24414
			ALW		06.00 -> 05.01	Post cat Left	250-24414
			ARN, ASM		06.00 -> 05.01	Post cat Right	250-24414
			ALW		06.00 -> 05.01	Post cat Right	250-24414
			ASM		06.00 -> 05.01	Pre cat Left	250-24395
			ASM		06.00 -> 05.01	Pre cat Right	250-24395
			ARN, ASM		06.01 -> 01.05	Pre cat Left	250-24494
			ALW		06.01 -> 01.05	Pre cat Left	250-24494
			ARN, ASM		06.01 -> 01.05	Pre cat Right	250-24494
			ALW		06.01 -> 01.05	Pre cat Right	250-24494
			ARN, ASM		06.01 -> 01.05	Post cat Left	250-24493
			ALW		06.01 -> 01.05	Post cat Left	250-24493
			ARN, ASM		06.01 -> 01.05	Post cat Right	250-24493
			ALW		06.01 -> 01.05	Post cat Right	250-24493
	4A, C4	110	AFM		07.96 -> 09.97		250-23028
	4B, C5	115	APC		04.98 -> 12.98	Pre cat Left	250-24719
			APC		04.98 -> 12.98	Pre cat Right	250-24719
			APC	Fr. Ch. No. X-067 801	12.98 -> 05.01	Pre cat Left	250-24395
			APC	Fr. Ch. No. X-067 801	12.98 -> 05.01	Pre cat Right	250-24395
			AJG		02.98 -> 07.98	Pre cat Left	250-24719
	4B, C5	120	AJG		02.98 -> 07.98	Pre cat Right	250-24719
			AJG	Fr. Ch. No. X-067 801	12.98 -> 01.99	Pre cat Left	250-24395
			AJG	Fr. Ch. No. X-067 801	12.98 -> 01.99	Pre cat Right	250-24395



Model / Liter	Body Code	Engine kW	Engine Code	Application Identifier Engine or Chassis	Year From→To	Position	Walker Direct Fit			
<b>AUDI (cont'd)</b>										
<b>A6 Avant (cont'd)</b>										
2.4	4B, C5	120	AMM		06.00 -> 05.01	Pre cat Left	250-24395			
			AMM		06.00 -> 05.01	Pre cat Right	250-24395			
			AMM		06.00 -> 05.01	Post cat Left	250-24414			
			AMM		06.00 -> 05.01	Post cat Right	250-24414			
			AMM		06.01 -> 01.05	Pre cat Left	250-24494			
			AMM		06.01 -> 01.05	Pre cat Right	250-24494			
			AMM		06.01 -> 01.05	Post cat Left	250-24493			
			AMM		06.01 -> 01.05	Post cat Right	250-24493			
			APZ		12.98 -> 05.01	Pre cat Left	250-24395			
			APZ		12.98 -> 05.01	Pre cat Right	250-24395			
4B, C5	121	121	AGA		12.97 -> 12.98	Pre cat Left	250-24719			
			AGA		12.97 -> 12.98	Pre cat Right	250-24719			
			AGA	Fr. Ch. No. X-067 801	12.98 -> 01.99	Pre cat Left	250-24395			
			AGA	Fr. Ch. No. X-067 801	12.98 -> 01.99	Pre cat Right	250-24395			
			AGA, ALF		06.00 -> 05.01	Post cat Left	250-24414			
			AGA, ALF		06.00 -> 05.01	Post cat Right	250-24414			
			ALF	Fr. Ch. No. X-067 800	02.98 -> 12.98	Pre cat Left	250-24719			
			ALF	Fr. Ch. No. X-067 800	02.98 -> 12.98	Pre cat Right	250-24719			
			AML, ARJ		06.00 -> 05.01	Post cat Left	250-24414			
			AML, ARJ		06.00 -> 05.01	Post cat Right	250-24414			
			APS, ARJ	To Ch. No. X-067 800	11.98 -> 12.98	Pre cat Left	250-24719			
			APS, ARJ	To Ch. No. X-067 800	11.98 -> 12.98	Pre cat Right	250-24719			
			APS	Fr. Ch. No. X-067 801	12.98 -> 05.01	Pre cat Left	250-24395			
			APS	Fr. Ch. No. X-067 801	12.98 -> 05.01	Pre cat Right	250-24395			
			APS		06.00 -> 05.01	Post cat Left	250-24414			
			APS		06.00 -> 05.01	Post cat Right	250-24414			
			4B, C5	125	125	BDV		08.01 -> 01.05	Pre cat Left	250-24494
						BDV		08.01 -> 01.05	Pre cat Right	250-24494
BDV		08.01 -> 01.05				Post cat Left	250-24493			
BDV		08.01 -> 01.05				Post cat Right	250-24493			
4F5	130	130				BDW		03.05 ->	Pre cat Left	250-25017
						BDW		03.05 ->	Pre cat Right	250-25017
2.4 Quattro	4B, C5	115	APC		08.98 -> 12.98	Pre cat Left	250-24719			
			APC		08.98 -> 12.98	Pre cat Right	250-24719			
			APC	Fr. Ch. No. X-067 801	12.98 -> 05.01	Pre cat Left	250-24395			
			APC	Fr. Ch. No. X-067 801	12.98 -> 05.01	Pre cat Right	250-24395			
	4B, C5	120	120	AJG		02.98 -> 12.98	Pre cat Left	250-24719		
				AJG		02.98 -> 12.98	Pre cat Right	250-24719		
				APZ		11.98 -> 12.98	Pre cat Left	250-24719		
				APZ		11.98 -> 12.98	Pre cat Right	250-24719		
	4B, C5	121	121	AJG, APZ	Fr. Ch. No. X-067 801	12.98 -> 05.01	Pre cat Left	250-24395		
				AJG, APZ	Fr. Ch. No. X-067 801	12.98 -> 05.01	Pre cat Right	250-24395		
				AGA		02.98 -> 12.98	Pre cat Left	250-24719		
				AGA		02.98 -> 12.98	Pre cat Right	250-24719		
4B, C5	125	125	ALF		02.98 -> 12.98	Pre cat Left	250-24719			
			ALF		02.98 -> 12.98	Pre cat Right	250-24719			
			AGA, ALF	Fr. Ch. No. X-067 801	12.98 -> 01.99	Pre cat Left	250-24395			
			AGA, ALF	Fr. Ch. No. X-067 801	12.98 -> 01.99	Pre cat Right	250-24395			
			AML		06.00 -> 05.01	Pre cat Left	250-24395			
			AML		06.00 -> 05.01	Pre cat Right	250-24395			
			AML		06.00 -> 05.01	Post cat Left	250-24414			
			AML		06.00 -> 05.01	Post cat Right	250-24414			
			APS, ARJ		11.98 -> 12.98	Pre cat Left	250-24719			
			APS, ARJ		11.98 -> 12.98	Pre cat Right	250-24719			
			APS, ARJ	Fr. Ch. No. X-067 801	12.98 -> 05.01	Pre cat Left	250-24395			
			APS, ARJ	Fr. Ch. No. X-067 801	12.98 -> 05.01	Pre cat Right	250-24395			
			ARJ		01.99 -> 05.01	Pre cat Left	250-24395			
			ARJ		01.99 -> 05.01	Pre cat Right	250-24395			
4B, C5	125	125	BDV		08.01 -> 01.05	Pre cat Left	250-24494			
			BDV		08.01 -> 01.05	Pre cat Right	250-24494			
			BDV		08.01 -> 01.05	Post cat Left	250-24493			
			BDV		08.01 -> 01.05	Post cat Right	250-24493			
4F5	130	130	BDW		03.05 ->	Pre cat Left	250-25017			
			BDW		03.05 ->	Pre cat Right	250-25017			
			BDW		03.05 ->	Post cat Cyl 1-3	250-24669			
			BDW		03.05 ->	Post cat Cyl 4-6	250-24670			



Model / Liter	Body Code	kW	Engine Code	Application Identifier Engine or Chassis	Year From→ To	Position	Walker Direct Fit
<b>AUDI (cont'd)</b>							
<b>A6 Avant (cont'd)</b>							
2.6	4A, C4	102	ACZ		06.94 -> 07.95		250-23032
	4A, C4	110	ABC		07.94 -> 09.97		250-23032
2.6 Quattro	4A, C4	110	ABC		07.94 -> 09.97		250-23028
2.7 T	4B, C5	169	AJK		02.99 -> 05.01	Pre cat Left	250-24395
			AJK		02.99 -> 05.01	Pre cat Right	250-24395
			AZA		09.00 -> 05.01	Pre cat Left	250-24395
			AZA		09.00 -> 05.01	Pre cat Right	250-24395
			AZA		09.00 -> 05.01	Post cat Left	250-24414
			AZA		09.00 -> 05.01	Post cat Right	250-24414
2.7 T Quattro	4B, C5	169	AJK		02.99 -> 05.01	Pre cat Left	250-24395
			AJK		02.99 -> 05.01	Pre cat Right	250-24395
			AJK, AZA		03.98 -> 07.98	Pre cat Left	250-24719
			AJK, AZA		03.98 -> 07.98	Pre cat Right	250-24719
			AZA		09.00 -> 05.01	Pre cat Left	250-24395
			AZA		09.00 -> 05.01	Pre cat Right	250-24395
			AJK, AZA		09.00 -> 05.01	Post cat Left	250-24414
			AJK, AZA		09.00 -> 05.01	Post cat Right	250-24414
	4B, C5	184	ARE		08.01 -> 06.02	Pre cat Left	250-24494
			ARE		08.01 -> 06.02	Pre cat Right	250-24494
			ARE		08.01 -> 06.02	Post cat Left	250-24493
			ARE		08.01 -> 06.02	Post cat Right	250-24493
			BES		08.01 -> 01.05	Pre cat Left	250-24494
			BES		08.01 -> 01.05	Pre cat Right	250-24494
			BES		08.01 -> 01.05	Post cat Left	250-24493
			BES		08.01 -> 01.05	Post cat Right	250-24493
2.8	4A, C4	128	AAH		07.94 -> 09.97		250-23028
			AEJ		07.95 -> 09.97		250-23028
	4B, C5	132	AGE		02.98 -> 07.98	Pre cat Left	250-24719
			AGE		02.98 -> 07.98	Pre cat Right	250-24719
			AGE	Fr. Ch. No. X-067 801	12.97 -> 07.98	Pre cat Left	250-24395
			AGE	Fr. Ch. No. X-067 801	12.97 -> 07.98	Pre cat Right	250-24395
	4B, C5	140	ATX		07.99 -> 05.01	Pre cat Left	250-24395
			ATX		07.99 -> 05.01	Pre cat Right	250-24395
	4B, C5	142	ACK		02.98 -> 07.98	Pre cat Left	250-24719
			ACK		02.98 -> 07.98	Pre cat Right	250-24719
			ACK, ALG		02.98 -> 12.98	Pre cat Left	250-24719
			ACK, ALG		02.98 -> 12.98	Pre cat Right	250-24719
			ACK, ALG	Fr. Ch. No. X-067 801	12.98 -> 01.99	Pre cat Left	250-24395
			ACK, ALG	Fr. Ch. No. X-067 801	12.98 -> 01.99	Pre cat Right	250-24395
			AMX		06.00 -> 05.01	Pre cat Left	250-24395
			AMX		06.00 -> 05.01	Pre cat Right	250-24395
			AMX		06.00 -> 05.01	Post cat Left	250-24414
			AMX		06.00 -> 05.01	Post cat Right	250-24414
			APR, AOD		11.98 -> 12.98	Pre cat Left	250-24719
			APR, AOD		11.98 -> 12.98	Pre cat Right	250-24719
			APR, AOD	Fr. Ch. No. X-067 801	12.98 -> 05.01	Pre cat Left	250-24395
			APR, AOD	Fr. Ch. No. X-067 801	12.98 -> 05.01	Pre cat Right	250-24395
			ACK, APR		12.97 -> 01.05	Post cat Left	250-24414
			ALG, AOD		12.97 -> 01.05	Post cat Left	250-24414
			AMX		12.97 -> 01.05	Post cat Left	250-24414
			ACK, APR		12.97 -> 01.05	Post cat Right	250-24414
			ALG, AOD		12.97 -> 01.05	Post cat Right	250-24414
			AMX		12.97 -> 01.05	Post cat Right	250-24414
2.8 FSI	4F5	140	CCDA		10.08 ->	Pre cat Left	250-25017
			CCDA		10.08 ->	Pre cat Right	250-25017
			CCDA		10.08 ->	Post cat Left	250-24669
			CCDA		10.08 ->	Post cat Right	250-24670
	4F5	154	BDX		11.06 -> 09.08	Pre cat Left	250-25017
			BDX		11.06 -> 09.08	Pre cat Right	250-25017
			BDX		11.06 -> 09.08	Post cat Left	250-24669
			BDX		11.06 -> 09.08	Post cat Right	250-24670
	4F5	162	CCEA		10.08 ->	Pre cat Left	250-25017
			CCEA		10.08 ->	Pre cat Right	250-25017
			CCEA		10.08 ->	Post cat Left	250-24669
			CCEA		10.08 ->	Post cat Right	250-24670
2.8 FSI Quattro	4F5	140	CCDA		10.08 ->	Pre cat Left	250-25017
			CCDA		10.08 ->	Pre cat Right	250-25017
			CCDA		10.08 ->	Post cat Left	250-24669
			CCDA		10.08 ->	Post cat Right	250-24670





Model / Liter	Body Code	kW	Engine Code	Application Identifier Engine or Chassis	Year From→To	Position	Walker Direct Fit
<b>AUDI (cont'd)</b>							
<b>A6 Avant (cont'd)</b>							
2.8 FSI Quattro	4F5	154	BDX		06.07 -> 09.08	Pre cat Left	250-25017
			BDX		06.07 -> 09.08	Pre cat Right	250-25017
			BDX		06.07 -> 09.08	Post cat Left	250-24669
			BDX		06.07 -> 09.08	Post cat Right	250-24670
	4F5	162	CCEA		10.08 ->	Pre cat Left	250-25017
			CCEA		10.08 ->	Pre cat Right	250-25017
			CCEA		10.08 ->	Post cat Left	250-24669
			CCEA		10.08 ->	Post cat Right	250-24670
2.8 Quattro	4A, C4	128	AAH		07.94 -> 09.97		250-23028
			AEJ		07.95 -> 09.97		250-23028
	4A, C4	142	ACK		12.95 -> 09.97		250-24719
			ACK	Fr. Ch. No. X-067 801	02.98 -> 12.98	Pre cat Left	250-24395
			ACK	Fr. Ch. No. X-067 801	02.98 -> 12.98	Pre cat Right	250-24395
			ACK, ALG		02.98 -> 12.98	Pre cat Left	250-24719
			ACK, ALG		02.98 -> 12.98	Pre cat Right	250-24719
			ALG	Fr. Ch. No. X-067 801	12.98 -> 01.99	Pre cat Left	250-24395
			ALG	Fr. Ch. No. X-067 801	12.98 -> 01.99	Pre cat Right	250-24395
			AMX		06.00 -> 05.01	Pre cat Left	250-24395
			AMX		06.00 -> 05.01	Pre cat Right	250-24395
			AMX		06.00 -> 05.01	Post cat Left	250-24414
			AMX		06.00 -> 05.01	Post cat Right	250-24414
			APR		01.99 -> 05.01	Pre cat Left	250-24395
			APR		01.99 -> 05.01	Pre cat Right	250-24395
			AQD		11.98 -> 12.98	Pre cat Left	250-24719
			AQD		11.98 -> 12.98	Pre cat Right	250-24719
			AQD	Fr. Ch. No. X-067 801	12.98 -> 07.99	Pre cat Left	250-24395
			AQD	Fr. Ch. No. X-067 801	12.98 -> 07.99	Pre cat Right	250-24395
3.0	4B, C5	162	ASN		08.01 -> 01.05	Pre cat Left	250-25003
			ASN		08.01 -> 01.05	Pre cat Right	250-25003
			ASN		08.01 -> 01.05	Post cat Left	250-24493
			ASN		08.01 -> 01.05	Post cat Right	250-24493
3.0 Quattro	4F5	160	BBJ	A/T	03.05 -> 04.05	Pre cat Left	250-25003
			BBJ	A/T	03.05 -> 04.05	Pre cat Right	250-25003
			BBJ	A/T	03.05 -> 05.06	Post cat Left	250-24672
			BBJ	A/T	03.05 -> 05.06	Post cat Right	250-24671
			BBJ	M/T	03.05 -> 04.05	Pre cat Left	250-25003
			BBJ	M/T	03.05 -> 04.05	Pre cat Right	250-25003
			BBJ	M/T	03.05 -> 04.05	Post cat Left	250-24493
			BBJ	M/T	03.05 -> 04.05	Post cat Right	250-24493
	4B, C5	162	ASN		08.01 -> 01.05	Pre cat Left	250-25003
			ASN		08.01 -> 01.05	Pre cat Right	250-25003
			ASN		08.01 -> 01.05	Post cat Left	250-24493
			ASN		08.01 -> 01.05	Post cat Right	250-24493
3.2 FSI	4F5	188	AUK		03.05 ->	Pre cat Left	250-25017
			AUK		03.05 ->	Pre cat Right	250-25017
			AUK		03.05 ->	Post cat Left	250-24669
			AUK		03.05 ->	Post cat Right	250-24670
3.2 FSI Quattro	4F5	188	AUK		03.05 ->	Pre cat Left	250-25017
			AUK		03.05 ->	Pre cat Right	250-25017
			AUK		03.05 ->	Post cat Left	250-24669
			AUK		03.05 ->	Post cat Right	250-24670
4.2 Quattro	4B, C5	220	ARS, ASG		11.98 -> 01.05	Pre cat Left	250-24395
			ARS, ASG		06.01 -> 01.05	Pre cat Right	250-24395
			ARS, ASG		06.01 -> 01.05	Post cat Left	250-24414
			ARS, ASG		06.01 -> 01.05	Post cat Right	250-24414
			AWN		11.98 -> 01.05	Pre cat Left	250-24395
			AWN		06.01 -> 01.05	Pre cat Right	250-24395
			AWN		06.01 -> 01.05	Post cat Left	250-24414
			AWN		06.01 -> 01.05	Post cat Right	250-24414
	4F5	246	BAT		03.05 ->	Pre cat Left	250-25019
			BAT		03.05 ->	Pre cat Right	250-25019
			BAT		03.05 ->	Post cat Left	250-24671
			BAT		03.05 ->	Post cat Right	250-24672
4.2 FSI Quattro	4F5	257	BVJ		06.06 ->	Pre cat Left	250-25019
			BVJ		06.06 ->	Pre cat Right	250-25019
			BVJ		06.06 ->	Post cat Left	250-24671
			BVJ		06.06 ->	Post cat Right	250-24672



Model / Liter	Body Code	kW	Engine Code	Application Identifier Engine or Chassis	Year From→ To	Position	Walker Direct Fit
<b>AUDI (cont'd)</b>							
<b>A6 Avant (cont'd)</b>							
RS6	4B, C5	331	BCY BCY BCY BCY		07.02 -> 09.04 07.02 -> 09.04 07.02 -> 09.04 07.02 -> 09.04	Pre cat Left Pre cat Right Post cat Left Post cat Right	250-24394 250-24394 250-24414 250-24414
RS6 plus	4B, C5	353	BRV BRV BRV BRV		04.04 -> 09.04 04.04 -> 09.04 04.04 -> 09.04 04.04 -> 09.04	Pre cat Left Pre cat Right Post cat Left Post cat Right	250-24394 250-24394 250-24414 250-24414
S6 Quattro	4B, C5	250	ANK ANK ANK ANK AQJ AQJ ANK, AQJ ANK, AQJ		06.01 -> 01.05 06.01 -> 01.05 09.00 -> 01.05 09.00 -> 01.05 09.99 -> 05.01 09.99 -> 05.01 09.00 -> 05.01 09.00 -> 05.01	Pre cat Left Pre cat Right Post cat Left Post cat Right Pre cat Left Pre cat Right Post cat Left Post cat Right	250-24395 250-24395 250-24414 250-24414 250-24395 250-24395 250-24414 250-24414
	4F5	320	BXA BXA BXA BXA BXA BXA BXA BXA BXA		06.06 -> 06.06 -> 06.06 -> 06.06 -> 06.06 -> 06.06 -> 06.06 -> 06.06 -> 06.06 ->	Pre cat Cyl 1-3 Pre cat Cyl 4, 5 Pre cat Cyl 6-8 Pre cat Cyl 9, 10 Post cat Cyl 1-3 Post cat Cyl 4, 5 Post cat Cyl 6-8 Post cat Cyl 9, 10	250-25038 250-25015 250-25030 250-25027 250-24692 250-24699 250-24672 250-24767
S6 Turbo Quattro	4A, C4	169	AAN AAN AAN	RH drive Only w/o Cat.	07.94 -> 07.97 07.94 -> 07.97 07.94 -> 07.97		250-23102 250-23048 250-23019
<b>A8</b>							
2.8	4D2, 4D8	120	AEJ AEJ		07.95 -> 03.96 07.95 -> 03.96	Pre cat Left Pre cat Right	250-23028 250-23028
	4D2, 4D8	128	AAH AAH		06.94 -> 03.96 06.94 -> 03.96	Pre cat Left Pre cat Right	250-23028 250-23028
	4D2, 4D8	142	ACK, ALG ACK, ALG AMX AMX AMX AMX APR, AQD APR, AQD APR, AQD APR, AQD		04.96 -> 12.98 04.96 -> 12.98 05.00 -> 09.02 05.00 -> 09.02 05.00 -> 09.02 05.00 -> 09.02 10.98 -> 02.01 10.98 -> 02.01 10.98 -> 02.01 10.98 -> 02.01	Pre cat Left Pre cat Right Pre cat Left Pre cat Right Pre cat Left Pre cat Right Post cat Left Post cat Right Pre cat Left Pre cat Right Post cat Left Post cat Right	250-24719 250-24719 250-24395 250-24395 250-24414 250-24414 250-24395 250-24395 250-24414 250-24414
2.8 Quattro	4D2, 4D8	120	AEJ AEJ		07.95 -> 03.96 07.95 -> 03.96	Pre cat Left Pre cat Right	250-23028 250-23028
	4D2, 4D8	128	AAH AAH		06.94 -> 03.96 06.94 -> 03.96	Pre cat Left Pre cat Right	250-23028 250-23028
	4D2, 4D8	142	ACK, ALG ACK, ALG AMX AMX AMX AMX APR, AQD APR, AQD APR, AQD APR, AQD		04.96 -> 12.98 04.96 -> 12.98 05.00 -> 09.02 05.00 -> 09.02 05.00 -> 09.02 05.00 -> 09.02 10.98 -> 02.01 10.98 -> 02.01 10.98 -> 02.01 10.98 -> 02.01	Pre cat Left Pre cat Right Pre cat Left Pre cat Right Post cat Left Post cat Right Pre cat Left Pre cat Right Post cat Left Post cat Right	250-24719 250-24719 250-24395 250-24395 250-24414 250-24414 250-24395 250-24395 250-24414 250-24414
3.0	4E_	160	BBJ BBJ BBJ BBJ		07.03 -> 07.03 -> 07.03 -> 07.03 ->	Pre cat Left Pre cat Right Post cat Left Post cat Right	250-25008 250-25004 250-24432 250-24432
	4E_	162	ASN ASN ASN ASN		08.03 -> 08.03 -> 08.03 -> 08.03 ->	Pre cat Left Pre cat Right Post cat Left Post cat Right	250-25008 250-25004 250-24432 250-24432
3.0 Long Quattro	4E_	160	BBJ BBJ BBJ BBJ		11.03 -> 05.04 11.03 -> 05.04 11.03 -> 05.04 11.03 -> 05.04	Pre cat Left Pre cat Right Post cat Left Post cat Right	250-25008 250-25004 250-24432 250-24432



Model / Liter	Body Code	kW	Engine Code	Application Identifier Engine or Chassis	Year From→To	Position	Walker Direct Fit	
<b>AUDI (cont'd)</b>								
<b>A8 (cont'd)</b>								
3.0 Long Quattro	4E_	162	ASN		08.03 -> 11.03	Pre cat	Left	250-25008
			ASN		11.03 -> 05.05	Pre cat	Right	250-25004
			ASN		11.03 -> 05.05	Post cat	Left	250-24432
			ASN		11.03 -> 05.05	Post cat	Right	250-24432
3.0 TDI Quattro	4E_	155	BNG		11.03 -> 10.07	Post cat	250-25026	
	4E_	171	ASB		01.04 -> 10.07	Post cat	250-25026	
3.7	4D2, 4D8	169	AEW, AKJ		07.95 -> 12.98	Pre cat	Left	250-24147
			AEW, AKJ		07.95 -> 12.98	Pre cat	Right	250-24147
			AKC, AOG		11.98 -> 09.02	Pre cat	Left	250-24393
			AKC, AOG		11.98 -> 09.02	Pre cat	Right	250-24393
3.7 Quattro	4D2, 4D8	169	AKC, AOG		05.00 -> 09.02	Post cat	Left	250-24430
			AKC, AOG		05.00 -> 09.02	Post cat	Right	250-24430
			AEW, AKJ		04.97 -> 11.98	Pre cat	Left	250-24147
			AEW, AKJ		04.97 -> 11.98	Pre cat	Right	250-24147
3.7 Quattro	4D2, 4D8	191	AKC, AOG		11.98 -> 09.02	Pre cat	Left	250-24393
			AKC, AOG		11.98 -> 09.02	Pre cat	Right	250-24393
			AKC, AOG		05.00 -> 09.02	Post cat	Left	250-24430
			AKC, AOG		05.00 -> 09.02	Post cat	Right	250-24430
3.7 Quattro	4E_	206	BFL		11.02 ->	Pre cat	Left	250-25008
			BFL		11.02 ->	Pre cat	Right	250-25004
			BFL		11.02 ->	Post cat	Left	250-24432
			BFL		11.02 ->	Post cat	Right	250-24494
4.2 Quattro	4D2, 4D8	175	ARU		02.99 -> 04.00	Pre cat	Left	250-24393
			ARU		02.99 -> 04.00	Pre cat	Right	250-24393
			ARU		02.99 -> 04.00	Post cat	Left	250-24430
			ARU		02.99 -> 04.00	Post cat	Right	250-24430
	4D2, 4D8	180	AEM		06.94 -> 07.96	Pre cat	Left	250-24147
			AEM		06.94 -> 07.96	Pre cat	Right	250-24147
	4D2, 4D8	210	AGH		07.95 -> 09.98	Pre cat	Left	250-24147
			AGH		07.95 -> 09.98	Pre cat	Right	250-24147
	4D2, 4D8	220	ABZ, AKG		10.98 -> 11.98	Pre cat	Left	250-24393
			ABZ, AKG		10.98 -> 11.98	Pre cat	Right	250-24393
			ABZ, AKG	Fr. Ch. No. 4D..X..005001	03.94 -> 11.98	Pre cat	Left	250-24147
			ABZ, AKG	Fr. Ch. No. 4D..X..005002	03.94 -> 11.98	Pre cat	Right	250-24147
4D2, 4D8	228	ABZ		11.98 -> 12.98	Pre cat	Left	250-24147	
		ABZ		11.98 -> 12.98	Pre cat	Right	250-24147	
		AQF, AUW		11.98 -> 09.02	Pre cat	Left	250-24393	
		AQF, AUW		11.98 -> 09.02	Pre cat	Right	250-24393	
		AQF, AUW		05.00 -> 09.02	Post cat	Left	250-24430	
		AQF, AUW		05.00 -> 09.02	Post cat	Right	250-24430	
		AUX		11.98 -> 09.02	Pre cat	Left	250-24393	
		AUX		11.98 -> 09.02	Pre cat	Right	250-24393	
4E_	246	AUX		05.00 -> 09.02	Post cat	Left	250-24430	
		AUX		05.00 -> 09.02	Post cat	Right	250-24430	
		BFM		11.02 -> 05.06	Pre cat	Left	250-25008	
		BFM		11.02 -> 05.06	Pre cat	Right	250-25004	
4.2 FSI Quattro	4E_	257	BFM		11.02 -> 05.06	Post cat	Left	250-24432
			BFM		11.02 -> 05.06	Post cat	Right	250-24494
			BVJ		06.06 -> 10.07	Pre cat	Cyl 1-4	250-25039
			BVJ		06.06 -> 10.07	Pre cat	Cyl 5-8	250-25027
6.0 W12 Quattro	4E_	331	BVJ		06.06 -> 10.07	Post cat	Cyl 1-4	250-24672
			BVJ		06.06 -> 10.07	Post cat	Cyl 5-8	250-24671
			BHT, BTE		02.04 -> 09.07	Pre cat	Cyl 1-3	250-25002
			BHT, BTE		02.04 -> 09.07	Pre cat	Cyl 4-6	250-25007
S 8 Quattro	4D2, 4D8	250	BHT, BTE		02.04 -> 10.07	Pre cat	Cyl 7-9	250-25021
			BHT, BTE		02.04 -> 10.07	Pre cat	Cyl 10-12	250-25020
			BHT, BTE		02.04 ->	Post cat	Cyl 1-3	250-24427
			BHT, BTE		02.04 ->	Post cat	Cyl 4-6	250-24689
			BHT, BTE		02.04 ->	Post cat	Cyl 7-9	250-24689
			BHT, BTE		02.04 ->	Post cat	Cyl 10-12	250-24689
			AHC, AKH		07.96 -> 12.98	Pre cat	Left	250-24147
			AHC, AKH		07.96 -> 12.98	Pre cat	Right	250-24147
S 8 Quattro	4D2, 4D8	265	AQH, AVP		06.99 -> 09.02	Pre cat	Left	250-24393
			AQH, AVP		06.99 -> 09.02	Pre cat	Right	250-24393
			AQH, AVP		09.00 -> 09.02	Post cat	Left	250-24394
			AQH, AVP		09.00 -> 09.02	Post cat	Right	250-24394



Model / Liter	Body Code	kW	Engine Code	Application Identifier Engine or Chassis	Year From→ To	Position	Walker Direct Fit
<b>AUDI (cont'd)</b>							
<b>A8 (cont'd)</b>							
S 8 Quattro	4E_	331	BSM		06.06 -> 10.07	Pre cat Cyl 1-3	250-25015
			BSM		06.06 -> 10.07	Pre cat Cyl 4, 5	250-25032
			BSM		06.06 -> 10.07	Pre cat Cyl 6-8	250-25030
			BSM		06.06 -> 10.07	Pre cat Cyl 9, 10	250-25041
			BSM		06.06 -> 10.07	Post cat Cyl 1-5	250-24699
			BSM		06.06 -> 10.07	Post cat Cyl 6-10	250-24692
<b>ALLROAD</b>							
2.7 T Quattro	4BH	184	ARE, BES		05.00 -> 06.01	Pre cat Left	250-24395
			ARE, BES		05.00 -> 06.01	Pre cat Right	250-24395
			ARE, BES		05.00 -> 06.01	Post cat Left	250-24414
			ARE, BES		05.00 -> 06.01	Post cat Right	250-24414
			ARE, BES	Fr. Ch. No. 2-000 001	07.01 -> 06.02	Pre cat Left	250-24494
			ARE, BES	Fr. Ch. No. 2-000 001	07.01 -> 06.02	Pre cat Right	250-24494
			ARE, BES	Fr. Ch. No. 2-000 001	07.01 -> 06.02	Post cat Left	250-24493
4.2 V8 Quattro	4BH	220	ARE, BES	Fr. Ch. No. 2-000 001	07.01 -> 06.02	Post cat Right	250-24493
			BAS		09.02 -> 08.05	Pre cat Left	250-25002
			BAS		09.02 -> 08.05	Pre cat Right	250-25002
			BAS		09.02 -> 08.05	Post cat Left	250-24493
			BAS		09.02 -> 08.05	Post cat Right	250-24493
<b>CABRIOLET</b>							
1.8	8G7, B4	92	ADR		01.97 -> 08.00		250-24555
2.0 E	8G7, B4	85	ABK	w/ Cat.	01.93 -> 07.98		250-23048
			ABK	w/ Cat.	01.93 -> 07.98		250-23019
2.0 16V	8G7, B4	103	ACE		06.95 -> 07.96		250-23048
2.6	8G7, B4	110	ABC		01.94 -> 08.00	Pre cat Left	250-23032
			ABC		01.94 -> 08.00	Pre cat Right	250-23032
2.8	8G7, B4	128	AAH		11.92 -> 08.00	Pre cat Left	250-23028
			AAH		11.92 -> 08.00	Pre cat Right	250-23028
<b>COUPE</b>							
2.0	89, 8B	82	3A	w/ Cat.	03.90 -> 07.90		250-23048
			3A	w/o Cat.	03.90 -> 07.90		250-23019
	89, 8B	85	ABK	w/ Cat.	08.91 -> 01.96		250-23048
			ABK	w/o Cat.	08.91 -> 01.96		250-23019
	89, 8B	103	ACE		08.92 -> 03.95		250-23048
2.6	89, 8B	110	ABC	w/ Cat.	08.92 -> 12.95		250-23032
			ABC	w/o Cat.	08.92 -> 01.96		250-23028
2.6 Quattro			ABC	Fr. Ch. No. S-000 545	08.94 -> 05.95		250-23028
2.8			AAH	Fr. Ch. No. P-000 001	08.92 -> 03.95		250-23028
			AAH		07.94 -> 03.95		250-23028
2.8 Quattro			AAH	Fr. Ch. No. P-004 501	01.93 -> 05.95		250-23028
S2 Quattro	89, 8B	169	ABY	w/ Cat.	10.92 -> 05.95		250-23048
			ABY	w/o Cat.	10.92 -> 05.95		250-23019
<b>Q7</b>							
3.6 FSI		206	BHK		08.06 ->	Pre cat Left	250-25034
			BHK		08.06 ->	Pre cat Right	250-25025
			BHK		08.06 ->	Post cat Left	250-24699
			BHK		08.06 ->	Post cat Right	250-24671
4.2 FSI		257	BAR		03.06 ->	Pre cat Left	250-25003
			BAR		03.06 ->	Pre cat Right	250-25008
			BAR		03.06 ->	Post cat Left	250-24717
			BAR		03.06 ->	Post cat Right	250-24726
<b>R8</b>							
4.2 Quattro		309	BYH		04.07 ->	Pre cat Cyl 1-4	250-25015
			BYH		04.07 ->	Pre cat Cyl 5-8	250-25027
			BYH		04.07 ->	Post cat Cyl 1-4	250-24762
			BYH		04.07 ->	Post cat Cyl 5-8	250-24671
<b>RS6</b>							
4.2			BCY		01.03 -> 12.04	Pre cat Left	250-24394
			BCY		01.03 -> 12.04	Pre cat Right	250-24394
			BCY		01.03 -> 12.04	Post cat Left	250-24414
			BCY		01.03 -> 12.04	Post cat Right	250-24414
<b>S5</b>							
4.2			CAU		01.08 -> 12.08	Pre cat Left	250-25015
			CAU		01.08 -> 12.08	Pre cat Right	250-25015
			CAU		01.08 -> 12.08	Post cat Left	250-24692
			CAU		01.08 -> 12.08	Post cat Right	250-24692
<b>S6</b>							
2.2			AAN		01.95 -> 12.95		250-23102





Model / Liter	Body Code	Engine kW	Engine Code	Application Identifier Engine or Chassis	Year From→ To	Position	Walker Direct Fit
<b>AUDI (cont'd)</b>							
<b>S6 (cont'd)</b>							
4.2			BBD		01.02 -> 12.03	Pre cat Left	250-24395
			BBD		01.02 -> 12.03	Pre cat Right	250-24395
5.2			BBD		01.02 -> 12.03	Post cat Left	250-24414
			BBD		01.02 -> 12.03	Post cat Right	250-24414
5.2			BXA		01.07 -> 12.07	Pre cat Cyl 1-3	250-25038
			BXA		01.07 -> 12.07	Pre cat Cyl 4, 5	250-25015
			BXA		01.07 -> 12.07	Pre cat Cyl 6-8	250-25030
			BXA		01.07 -> 12.07	Pre cat Cyl 9, 10	250-25027
			BXA		01.07 -> 12.07	Post cat Cyl 1-3	250-24692
			BXA		01.07 -> 12.07	Post cat Cyl 4, 5	250-24699
			BXA		01.07 -> 12.07	Post cat Cyl 6-8	250-24672
			BXA		01.07 -> 12.07	Post cat Cyl 9, 10	250-24767
			BXA		01.08 -> 12.08	Pre cat Cyl 1-3	250-25025
			BXA		01.08 -> 12.08	Pre cat Cyl 4, 5	250-25026
			BXA		01.08 -> 12.08	Pre cat Cyl 6-8	250-25025
			BXA		01.08 -> 12.08	Pre cat Cyl 9, 10	250-25040
			BXA		01.08 -> 12.08	Post cat Cyl 1-3	250-24692
			BXA		01.08 -> 12.08	Post cat Cyl 4, 5	250-24699
			BXA		01.08 -> 12.08	Post cat Cyl 6-8	250-24672
		BXA		01.08 -> 12.08	Post cat Cyl 9, 10	250-24767	
<b>S8</b>							
4.2			AYS		01.01 -> 12.03	Pre cat Left	250-24393
			AYS		01.01 -> 12.03	Pre cat Right	250-24393
5.2			AYS		01.01 -> 12.03	Post cat Left	250-24394
			AYS		01.01 -> 12.03	Post cat Right	250-24394
			BSM		01.07 -> 12.07	Pre cat Cyl 1-3	250-25019
			BSM		01.07 -> 12.07	Pre cat Cyl 4, 5	250-25032
			BSM		01.07 -> 12.07	Pre cat Cyl 6-8	250-25030
			BSM		01.07 -> 12.07	Pre cat Cyl 9, 10	250-25041
			BSM		01.07 -> 12.07	Post cat Cyl 1-3	250-24699
			BSM		01.07 -> 12.07	Post cat Cyl 4, 5	250-24699
		BSM		01.07 -> 12.07	Post cat Cyl 6-8	250-24692	
		BSM		01.07 -> 12.07	Post cat Cyl 9, 10	250-24692	
<b>TT</b>							
1.8 T	8N3	110	AUM		09.02 -> 06.06	Pre cat	250-25003
			AUM		09.02 -> 06.06	Post cat	250-24734
	8N3	120	BVP		09.05 -> 06.06	Pre cat	250-25003
			BVP		09.05 -> 06.06	Post cat	250-24734
	8N3	132	AJQ		11.99 -> 08.00		250-24734
			AUQ		09.00 -> 06.06	Pre cat	250-25003
			AUQ		09.00 -> 06.06	Post cat	250-24734
			BVR		09.05 -> 06.06	Pre cat	250-25003
	8N3	140	BVR		09.05 -> 06.06	Post cat	250-24734
			AJQ		06.05 -> 06.06		250-24734
1.8 T Quattro	8N3	132	ARY		09.00 -> 08.02	Pre cat	250-25003
			ARY		09.00 -> 05.05	Post cat	250-24494
			AUQ		06.05 -> 06.06	Pre cat	250-25003
			AUQ		10.98 -> 08.00	Post cat	250-24734
	8N3	140	BVR		09.05 -> 06.06	Pre cat	250-25003
			BVR		09.05 -> 06.06	Post cat	250-24494
			APX, BAM		10.98 -> 09.00	Pre cat	250-24495
			APX, BAM		10.98 -> 09.00	Post cat	250-24494
	8N3	165	AMU		10.98 -> 09.00	Pre cat	250-24495
			AMU		10.98 -> 09.00	Post cat	250-24494
			APX, BAM		09.00 ->	Pre cat	250-25002
			APX, BAM		09.00 ->	Post cat	250-24432
			AMU		09.00 ->	Pre cat	250-25002
			AMU		09.00 ->	Post cat	250-24432
8N3	176	BFV		03.05 ->	Pre cat	250-25002	
		BFV		03.05 ->	Post cat	250-24494	
2.0 TFSI	8J3	147	BWA		10.06 ->	Pre cat	250-25035
			BWA		10.06 ->	Post cat	250-24762
2.0 TFSI Quattro	8J3	200	CDL		06.08 ->	Pre cat	250-25035
			CDL		06.08 ->	Post cat	250-24762
3.2 V6 Quattro	8J3	184	BUB		10.06 ->	Pre cat Left	250-25026
			BUB		10.06 ->	Pre cat Right	250-25035
			BUB		10.06 ->	Post cat Left	250-24755
			BUB		10.06 ->	Post cat Right	250-24762



Model / Liter	Body Code	kW	Engine Code	Application Identifier Engine or Chassis	Year From→ To	Position	Walker Direct Fit
<b>AUDI (cont'd)</b>							
<b>TT (cont'd)</b>							
3.2 VR6 Quattro	8N3	184	BHE, BPF		07.03 -> 06.06	Pre cat Left	250-25004
			BHE, BPF		07.03 -> 06.06	Pre cat Right	250-25008
			BHE, BPF		07.03 -> 06.06	Post cat Left	250-24432
			BHE, BPF		07.03 -> 06.06	Post cat Right	250-24494
<b>TT Roadster</b>							
1.8 T	8N9	110	AUM		01.01 -> 06.06	Pre cat	250-25003
			AUM		01.01 -> 06.06	Post cat	250-24734
	8N9	120	BVP		09.05 -> 06.06	Pre cat	250-25003
			BVP		09.05 -> 06.06	Post cat	250-24734
	8N9	132	AJQ		10.99 -> 08.00		250-24734
			APP		10.99 -> 10.01	Pre cat	250-24734
			APP		10.99 -> 10.01	Post cat	250-24431
			AUQ		09.00 -> 06.06	Pre cat	250-25003
			AUQ		09.00 -> 06.06	Post cat	250-24734
	8N9	140	BVR		09.05 -> 06.06	Pre cat	250-25003
			BVR		09.05 -> 06.06	Post cat	250-24734
1.8 T Quattro	8N9	132	AJQ		02.00 -> 08.00	Pre cat	250-24734
			ARY		09.00 -> 05.05	Pre cat	250-25003
			ARY		09.00 -> 05.05	Post cat	250-24494
			AUQ		06.05 -> 06.06	Pre cat	250-25003
			AUQ		06.05 -> 06.06	Post cat	250-24734
	8N9	140	BVR		09.05 -> 06.06	Pre cat	250-25003
			BVR		06.06 ->	Post cat	250-24494
	8N9	165	APX		10.98 -> 08.01	Pre cat	250-24495
			BAM		09.00 -> 06.06	Pre cat	250-25002
			BAM		09.00 -> 01.01	Post cat	250-24432
			BAM	Fr. Ch. No. 1-034 001	01.01 -> 06.06	Post cat	250-24494
2.0 TFSI	8J9	147	BWA		02.07 ->	Pre cat	250-25035
			BWA		02.07 ->	Post cat	250-24762
2.0 TFSI Quattro	8J9	200	CDL		06.08 ->	Pre cat	250-25035
			CDL		06.08 ->	Post cat	250-24762
3.2 V6 Quattro	8J9	184	BUB		03.07 ->	Pre cat Left	250-25026
			BUB		03.07 ->	Pre cat Right	250-25035
			BUB		03.07 ->	Post cat Left	250-24755
			BUB		03.07 ->	Post cat Right	250-24762
3.2 VR6 Quattro	8N9	184	BHE, BPF		07.03 -> 06.06	Pre cat Left	250-25004
			BHE, BPF		07.03 -> 06.06	Pre cat Right	250-25008
			BHE, BPF		07.03 -> 06.06	Post cat Left	250-24432
			BHE, BPF		07.03 -> 06.06	Post cat Right	250-24494
<b>BMW</b>							
<b>SERIES 1 ( E81, E87 )</b>							
<b>116i</b>							
	E81, E87	85	N45B16A		03.07 -> 08.07		250-25044
<b>118d</b>							
	E81, E87	90	M47D20U2		09.04 -> 12.06	Post cat	250-25042
<b>120d</b>							
	E81, E87	120	M47D20TU2		09.04 -> 12.06	Post cat	250-25042
<b>130i</b>							
	E81, E87	195	N52B30A		09.05 -> 11.05	Pre cat Cyl 1-3	250-25042
			N52B30A		09.05 -> 11.05	Pre cat Cyl 4-6	250-25046
			N52B30A		09.05 -> 11.05	Post cat Cyl 1-3	250-24713
			N52B30A		09.05 -> 11.05	Post cat Cyl 4-6	250-24465
			N52B30A		12.05 -> 12.06	Pre cat Cyl 1-3	250-25018
			N52B30A		12.05 -> 12.06	Pre cat Cyl 4-6	250-25046
			N52B30A		12.05 -> 12.06	Post cat Cyl 1-3	250-24713
			N52B30A		12.05 -> 12.06	Post cat Cyl 4-6	250-24465
	E81, E87	195	N52B30O1		03.07 ->	Pre cat Cyl 1-3	250-25018
			N52B30O1		03.07 ->	Pre cat Cyl 4-6	250-25046
			N52B30O1		03.07 ->	Post cat Cyl 1-3	250-24713
			N52B30O1		03.07 ->	Post cat Cyl 4-6	250-24465
<b>SERIES 1 ( E82 )</b>							
<b>125i Coupe</b>							
	E82	160	N52B30U1		03.08 ->	Pre cat Cyl 1-3	250-25018
			N52B30U1		03.08 ->	Pre cat Cyl 4-6	250-25046
			N52B30U1		03.08 ->	Post cat Cyl 1-3	250-24713
			N52B30U1		03.08 ->	Post cat Cyl 4-6	250-24465



Model / Liter	Body Code	Engine kW	Engine Code	Application Identifier Engine or Chassis	Year From → To	Position	Walker Direct Fit
<b>BMW (cont'd)</b>							
<b>SERIES 1 ( E82 ) (cont'd)</b>							
<b>135i Coupe</b>							
	E82	225	N54B3000		10.07 ->	Pre cat Cyl 1-3	250-25018
			N54B3000		10.07 ->	Pre cat Cyl 4-6	250-25047
			N54B3000		10.07 ->	Post cat Cyl 1-3	250-24713
			N54B3000		10.07 ->	Post cat Cyl 4-6	250-24465
<b>SERIES 1 ( E88 )</b>							
<b>125i Cabriolet</b>							
	E88	160	N52B30U1		03.08 ->	Pre cat Cyl 1-3	250-25018
			N52B30U1		03.08 ->	Pre cat Cyl 4-6	250-25046
			N52B30U1		03.08 ->	Post cat Cyl 1-3	250-24713
			N52B30U1		03.08 ->	Post cat Cyl 4-6	250-24465
<b>135i Cabriolet</b>							
	E88	225	N54B3000		03.08 ->	Pre cat Cyl 1-3	250-25018
			N54B3000		03.08 ->	Pre cat Cyl 4-6	250-25047
			N54B3000		03.08 ->	Post cat Cyl 1-3	250-24713
			N54B3000		03.08 ->	Post cat Cyl 4-6	250-24465
<b>SERIES 3 ( E36 )</b>							
<b>316i</b>							
1.6	E36	75	M43B16		09.95 -> 01.96		250-24381
			M43B16		01.96 -> 02.98		250-24380
<b>316i Compact</b>							
1.6	E36	75	M43B16		09.95 -> 01.96		250-24381
			M43B16		01.96 -> 08.00		250-24380
1.9	E36	77	M43B19E46		01.99 -> 08.00	Pre cat	250-24611
			M43B19E46		01.99 -> 08.00	Post cat	250-24390
<b>316i Coupe</b>							
1.6	E36	75	M43B16		09.95 -> 01.96		250-24381
			M43B16		01.96 -> 04.99		250-24380
<b>316i Touring</b>							
1.6	E36	75	M43B16		07.96 -> 09.99		250-24380
<b>316g Compact</b>							
1.6	E36	75			12.95 -> 08.00		250-24381
<b>318i</b>							
1.8	E36	85	M43B18		09.95 -> 01.96		250-24381
			M43B18		01.96 -> 02.98		250-24380
<b>318i Cabriolet</b>							
1.8	E36	85	M43B18		09.95 -> 01.96		250-24381
			M43B18		01.96 -> 04.99		250-24380
<b>318i Touring</b>							
1.8	E36	85	M43B18		07.95 -> 09.95		250-24024
			M43B18		09.95 -> 01.96		250-24381
			M43B18		01.96 -> 09.99		250-24380
<b>318is</b>							
1.9	E36	103	M44B19		12.95 -> 02.98		250-24611
<b>318is Coupe</b>							
1.9	E36	103	M44B19		07.96 -> 04.99		250-24611
<b>318is Compact</b>							
1.9	E36	103	M44B19		01.96 -> 08.00		250-24611
<b>320i</b>							
2.0	E36	110	M52B20		09.95 -> 02.98	Cyl 1-3	250-24810
			M52B20		09.95 -> 02.98	Cyl 4-6	250-24810
<b>320i Cabriolet</b>							
2.0	E36	110	M52B20		09.95 -> 04.99	Cyl 1-3	250-24810
			M52B20		09.95 -> 04.99	Cyl 4-6	250-24810
<b>320i Coupe</b>							
2.0	E36	110	M52B20		09.95 -> 04.99	Cyl 1-3	250-24810
			M52B20		09.95 -> 04.99	Cyl 4-6	250-24810
<b>320i Touring</b>							
2.0	E36	110	M52B (206S3) Vanos		09.95 -> 09.99	Cyl 1-3	250-24810
			M52B (206S3) Vanos		09.95 -> 09.99	Cyl 4-6	250-24810
<b>323i</b>							
2.5	E36	125	M52B25 (Vanos)		09.95 -> 02.98	Cyl 1-3	250-24810
			M52B25 (Vanos)		09.95 -> 02.98	Cyl 4-6	250-24810
<b>323i Cabriolet</b>							
2.5	E36	125	M52B25 (Vanos)		09.95 -> 04.99	Cyl 1-3	250-24810
			M52B25 (Vanos)		09.95 -> 04.99	Cyl 4-6	250-24810



Model / Liter	Body Code	kW	Engine Code	Application Identifier Engine or Chassis	Year From→ To	Position	Walker Direct Fit	
<b>BMW (cont'd)</b>								
<b>SERIES 3 ( E36 ) (cont'd)</b>								
<b>323i Coupe</b>								
2.5	E36	125	M52B25 (Vanos)		09.95 -> 04.99 09.95 -> 04.99	Cyl 1-3 Cyl 4-6	250-24810 250-24810	
<b>323i Touring</b>								
2.5	E36	125	M52B25 (Vanos) M52B25 (Vanos)		07.96 -> 09.99 07.96 -> 09.99	Cyl 1-3 Cyl 4-6	250-24810 250-24810	
<b>323 ti Compact</b>								
2.5	E36	125	M52B25 (Vanos); Euro 3 (D3) M52B25 (Vanos); Euro 3 (D3) M52B25 (Vanos) M52B25 (Vanos) M52B25 (Vanos); Euro 3 (D3) M52B25 (Vanos); Euro 3 (D3) M52B25 (Vanos); Euro 3 (D3) M52B25 (Vanos); Euro 3 (D3)		08.97 -> 01.99 08.97 -> 01.99 01.99 -> 08.00 01.99 -> 08.00 01.99 -> 08.00 01.99 -> 08.00 01.99 -> 08.00 01.99 -> 08.00	Pre cat Pre cat Pre cat Pre cat Pre cat Pre cat Post cat Post cat	Cyl 1-3 Cyl 4-6 Cyl 1-3 Cyl 4-6 Cyl 1-3 Cyl 4-6 Cyl 1-3 Cyl 4-6	250-24810 250-24810 250-24810 250-24810 250-24516 250-24516 250-24810 250-24810
<b>325i</b>								
2.5	E36	141	M50B25 (Vanos); A/T M50B25 (Vanos); M/T		12.00 -> 07.95 12.00 -> 04.95		250-24605 250-24024	
<b>325i Cabriolet</b>								
2.5	E36	141	M50B25 M50B25	A/T M/T	03.93 -> 03.95 03.93 -> 03.95		250-24605 250-24024	
<b>325i Coupe</b>								
2.5	E36	141	M50B25 (Vanos); A/T M50B25 (Vanos); M/T		03.92 -> 07.95 03.92 -> 07.95		250-24605 250-24024	
<b>328i</b>								
2.8	E36	142	M52B28 M52B28		09.95 -> 02.98 09.95 -> 02.98	Cyl 1-3 Cyl 4-6	250-24810 250-24810	
<b>328i Cabriolet</b>								
2.8	E36	142	M52B28 M52B28		09.95 -> 04.99 09.95 -> 04.99	Cyl 1-3 Cyl 4-6	250-24810 250-24810	
<b>328i Coupe</b>								
2.8	E36	142	M52B28 M52B28		09.95 -> 04.99 09.95 -> 04.99	Cyl 1-3 Cyl 4-6	250-24810 250-24810	
<b>328i Touring</b>								
2.8	E36	142	M52B28 M52B28		09.95 -> 09.99 09.95 -> 09.99	Cyl 1-3 Cyl 4-6	250-24810 250-24810	
<b>M3</b>								
3.2	E36	236	S50B32 S50B32		09.95 -> 02.98 09.95 -> 02.98	Cyl 1-3 Cyl 4-6	250-24478 250-24589	
<b>M3 Cabriolet</b>								
3.2	E36	236	S50B32 S50B32		10.95 -> 04.99 10.95 -> 04.99	Cyl 1-3 Cyl 4-6	250-24478 250-24589	
<b>M3 Coupe</b>								
3.2	E36	236	S50B32 S50B32		10.95 -> 04.99 10.95 -> 04.99	Cyl 1-3 Cyl 4-6	250-24478 250-24589	
<b>SERIES 3 ( E46 )</b>								
<b>316Ci Coupe</b>								
1.6	E46	77	M43B16 (16 4 E3) M43B16 (16 4 E3)		04.00 -> 09.02 04.00 -> 09.02	Pre cat Post cat	250-24611 250-24390	
<b>316i</b>								
1.8	E46	85	N42B18, N46B18A; Euro 2, Euro 3 (D3) N42B18, N46B18A; Euro 4 (D4) N42B18, N46B18A; Euro 4 (D4)		02.02 -> 02.05 02.02 -> 02.05 02.02 -> 02.05	Pre cat Pre cat Post cat	250-25002 250-25002 250-24638	
1.9	E46	77	M43B19 M43B19		09.98 -> 02.05 09.98 -> 02.05	Pre cat Post cat	250-24611 250-24390	
1.9	E46	77	M43B16 (16 4 E3) M43B16 (16 4 E3)		04.00 -> 09.02 04.00 -> 09.02	Pre cat Post cat	250-24611 250-24390	
<b>316i Touring</b>								
1.8	E46	85	N42B18VVT Euro 2, Euro 3 (D3) N42B18VVT Euro 4 (D4) N42B18VVT Euro 4 (D4)		03.02 -> 12.02 03.02 -> 12.02 03.02 -> 12.02	Pre cat Pre cat Post cat	250-25002 250-25002 250-24638	
1.8	E46	85	N42B18, N46B18A; Euro 2, Euro 3 (D3) N42B18, N46B18A; Euro 4 (D4) N42B18, N46B18A; Euro 4 (D4)		01.03 -> 02.05 01.03 -> 02.05 01.03 -> 02.05	Pre cat Pre cat Post cat	250-25002 250-25002 250-24638	
<b>316ti Compact</b>								
1.8	E46	85	N42B18, N46B18A; Euro 2, Euro 3 (D3) N42B18, N46B18A; Euro 4 (D4) N42B18, N46B18A; Euro 4 (D4)		06.01 -> 02.05 06.01 -> 02.05 06.01 -> 02.05	Pre cat Pre cat Post cat	250-25002 250-25002 250-24638	





Model / Liter	Body Code	Engine kW	Engine Code	Application Identifier Engine or Chassis	Year From→To	Position	Walker Direct Fit
<b>BMW (cont'd)</b>							
<b>SERIES 3 ( E46 ) (cont'd)</b>							
<b>318Ci Cabriolet</b>							
2.0	E46	105	N42B20	Euro 2, Euro 3 (D3)	09.01 ->	Pre cat	250-25002
			N42B20	Euro 4 (D4)	09.01 ->	Pre cat	250-25002
			N42B20	Euro 4 (D4)	09.01 ->	Post cat	250-24638
		110	N46B20B		02.05 ->	Pre cat	250-25002
			N46B20B	Euro 4 (D4)	02.05 ->	Pre cat Cyl 1-3	250-25002
			N46B20B	Euro 4 (D4)	02.05 ->	Pre cat Cyl 4-6	250-25002
			N46B20B	Euro 4 (D4)	02.05 ->	Post cat Cyl 1-3	250-24638
			N46B20B	Euro 4 (D4)	02.05 ->	Post cat Cyl 4-6	250-24638
<b>318Ci Coupe</b>							
2.0	E46	87	M43B19E46		11.99 -> 09.01	Pre cat	250-24611
			M43B19E46		11.99 -> 09.01	Post cat	250-24390
		105	N42B20	Euro 2, Euro 3 (D3)	01.03 -> 03.04	Pre cat	250-25002
			N42B20	Euro 4 (D4)	01.03 -> 03.04	Pre cat	250-25002
			N42B20	Euro 4 (D4)	01.03 -> 03.04	Post cat	250-24638
<b>318d Touring</b>							
1.8	E46	85	M47D20TUUL		01.04 -> 02.05	Pre cat	250-25043
<b>318i</b>							
1.9	E46	87	M43B19		03.98 -> 09.01	Pre cat	250-24611
			M43B19		03.98 -> 09.01	Post cat	250-24390
2.0	E46	105	N42B20, N46B20A;	Euro 2, Euro 3 (D3)	09.01 -> 02.05	Pre cat	250-25002
			N42B20, N46B20A;	Euro 4 (D4)	09.01 -> 02.05	Pre cat	250-25002
			N42B20, N46B20A;	Euro 4 (D4)	09.01 -> 02.05	Post cat	250-24638
<b>318i Touring</b>							
1.9	E46	87	M43B19		10.99 -> 09.01	Pre cat	250-24611
			M43B19		10.99 -> 09.01	Post cat	250-24390
2.0	E46	105	N42B20, N46B20A;	Euro 2, Euro 3 (D3)	09.01 -> 02.05	Pre cat	250-25002
			N42B20, N46B20A;	Euro 4 (D4)	09.01 -> 02.05	Pre cat	250-25002
			N42B20, N46B20A;	Euro 4 (D4)	09.01 -> 02.05	Post cat	250-24638
<b>318td</b>							
1.8	E46	85	M47D20TUUL		01.04 -> 12.04	Pre cat	250-25043
<b>318ti</b>							
2.0	E46	105	N42B20, N46B20A;	Euro 2, Euro 3 (D3)	09.01 -> 02.05	Pre cat	250-25002
			N42B20, N46B20A;	Euro 4 (D4)	09.01 -> 02.05	Pre cat	250-25002
			N42B20, N46B20A		09.01 -> 02.05	Post cat	250-24638
<b>320Cd Cabriolet</b>							
2.0	E46	110	M47D20TU		02.05 -> 07.06	Post cat	250-25043
<b>320Cd Coupe</b>							
2.0	E46	110	M47D20TU		01.04 -> 05.06	Post cat	250-25043
<b>320Ci Cabriolet</b>							
2.0	E46	125	M54B22		09.00 ->	Pre cat Cyl 1-3	250-24611
			M54B22		09.00 ->	Pre cat Cyl 4-6	250-24611
			M54B22		09.00 ->	Post cat Cyl 1-3	250-24392
			M54B22		09.00 ->	Post cat Cyl 4-6	250-24392
			M54B22	RH drive Only	09.00 ->	Pre cat Cyl 1-3	250-24411
			M54B22	RH drive Only	09.00 ->	Pre cat Cyl 4-6	250-24589
			M54B22	RH drive Only	09.00 ->	Post cat Cyl 1-3	250-24392
			M54B22	RH drive Only	09.00 ->	Post cat Cyl 4-6	250-24392
<b>320Ci Coupe</b>							
2.2	E46	125	M54B22		09.00 -> 12.02	Pre cat Cyl 1-3	250-24611
			M54B22		09.00 -> 12.02	Pre cat Cyl 4-6	250-24611
			M54B22		09.00 -> 12.02	Post cat Cyl 1-3	250-24392
			M54B22		09.00 -> 12.02	Post cat Cyl 4-6	250-24392
			M54B22	RH drive Only	09.00 -> 12.02	Pre cat Cyl 1-3	250-24411
			M54B22	RH drive Only	09.00 -> 12.02	Pre cat Cyl 4-6	250-24589
			M54B22	RH drive Only	09.00 -> 12.02	Post cat Cyl 1-3	250-24392
			M54B22	RH drive Only	09.00 -> 12.02	Post cat Cyl 4-6	250-24392
			M54B22	Euro 4 (D4)	01.03 -> 05.06	Pre cat Cyl 1-3	250-24611
			M54B22	Euro 4 (D4)	01.03 -> 05.06	Pre cat Cyl 4-6	250-24611
			M54B22	Euro 4 (D4)	01.03 ->	Post cat Cyl 1-3	250-24392
			M54B22	Euro 4 (D4)	01.03 ->	Post cat Cyl 4-6	250-24392
			M54B22	RH drive Only; Euro 4 (D4)	01.03 -> 05.06	Pre cat Cyl 1-3	250-24411
			M54B22	RH drive Only; Euro 4 (D4)	01.03 -> 05.06	Pre cat Cyl 4-6	250-24589
			M54B22	RH drive Only; Euro 4 (D4)	01.03 ->	Post cat Cyl 1-3	250-24392
			M54B22	RH drive Only; Euro 4 (D4)	01.03 ->	Post cat Cyl 4-6	250-24392
<b>320d</b>							
2.0	E46	110	M47D20TU	Euro 4 (D4)	01.04 -> 02.05		250-25043



Model / Liter	Body Code	Engine kW	Engine Code	Application Identifier Engine or Chassis	Year From→ To	Position	Walker Direct Fit
<b>BMW (cont'd)</b>							
<b>SERIES 3 ( E46 ) (cont'd)</b>							
<b>320d Touring</b>							
2.0	E46	110	M47D20TU	Euro 4 (D4)	01.04 -> 02.05		250-25043
<b>320i</b>							
2.0	E46	110	M52B (206S3) Vanos		03.98 -> 09.00	Pre cat Cyl 1-3	250-24611
			M52B (206S3) Vanos		03.98 -> 09.00	Pre cat Cyl 4-6	250-24611
			M52B (206S3) Vanos		03.98 -> 09.00	Post cat Cyl 1-3	250-24392
			M52B (206S3) Vanos		03.98 -> 09.00	Post cat Cyl 4-6	250-24392
2.2	E46	125	M54B22		09.01 -> 02.05	Pre cat Cyl 1-3	250-24611
			M54B22		09.01 -> 02.05	Pre cat Cyl 4-6	250-24611
			M54B22		09.01 -> 02.05	Post cat Cyl 1-3	250-24392
			M54B22		09.01 -> 02.05	Post cat Cyl 4-6	250-24392
			M54B22	RH drive Only	09.01 -> 02.05	Pre cat Cyl 1-3	250-24411
			M54B22	RH drive Only	09.01 -> 02.05	Pre cat Cyl 4-6	250-24589
			M54B22	RH drive Only	09.01 -> 02.05	Post cat Cyl 1-3	250-24392
			M54B22	RH drive Only	09.01 -> 02.05	Post cat Cyl 4-6	250-24392
<b>320i Touring</b>							
2.0	E46	110	M52B20	Euro 3 (D3)	10.99 -> 09.00	Pre cat Cyl 1-3	250-24611
			M52B20	Euro 3 (D3)	10.99 -> 09.00	Pre cat Cyl 4-6	250-24611
			M52B20	Euro 3 (D3)	10.99 -> 09.00	Post cat Cyl 1-3	250-24392
			M52B20	Euro 3 (D3)	10.99 -> 09.00	Post cat Cyl 4-6	250-24392
2.2	E46	125	M54B22		09.01 -> 12.02	Pre cat Cyl 1-3	250-24611
			M54B22		09.01 -> 12.02	Pre cat Cyl 4-6	250-24611
			M54B22		09.01 -> 12.02	Post cat Cyl 1-3	250-24392
			M54B22		09.01 -> 12.02	Post cat Cyl 4-6	250-24392
			M54B22	RH drive Only	09.01 -> 12.02	Pre cat Cyl 1-3	250-24411
			M54B22	RH drive Only	09.01 -> 12.02	Pre cat Cyl 4-6	250-24589
			M54B22	RH drive Only	09.01 -> 12.02	Post cat Cyl 1-3	250-24392
			M54B22	RH drive Only	09.01 -> 12.02	Post cat Cyl 4-6	250-24392
			M54B22	Euro 4 (D4)	01.03 -> 02.05	Pre cat Cyl 1-3	250-24611
			M54B22	Euro 4 (D4)	01.03 -> 02.05	Pre cat Cyl 4-6	250-24611
			M54B22	Euro 4 (D4)	01.03 -> 02.05	Post cat Cyl 1-3	250-24392
			M54B22	Euro 4 (D4)	01.03 -> 02.05	Post cat Cyl 4-6	250-24392
			M54B22	RH drive Only; Euro 4 (D4)	01.03 -> 02.05	Pre cat Cyl 1-3	250-24411
			M54B22	RH drive Only; Euro 4 (D4)	01.03 -> 02.05	Pre cat Cyl 4-6	250-24589
			M54B22	RH drive Only; Euro 4 (D4)	01.03 -> 02.05	Post cat Cyl 1-3	250-24392
			M54B22	RH drive Only; Euro 4 (D4)	01.03 -> 02.05	Post cat Cyl 4-6	250-24392
<b>320td Compact</b>							
2.0	E46	110	M47D20TU		01.04 -> 12.04	Post cat	250-25043
<b>323Ci Cabriolet</b>							
2.5	E46	125	M52B25 (Vanos); LH drive Only; Euro 3 (D3)		04.00 -> 09.00	Pre cat Cyl 1-3	250-24611
			M52B25 (Vanos); LH drive Only; Euro 3 (D3)		04.00 -> 09.00	Pre cat Cyl 4-6	250-24611
			M52B25 (Vanos); LH drive Only; Euro 3 (D3)		04.00 -> 09.00	Post cat Cyl 1-3	250-24392
			M52B25 (Vanos); LH drive Only; Euro 3 (D3)		04.00 -> 09.00	Post cat Cyl 4-6	250-24392
			M52B25 (Vanos); RH drive Only; Euro 3 (D3)		04.00 -> 09.00	Pre cat Cyl 1-3	250-24589
			M52B25 (Vanos); RH drive Only; Euro 3 (D3)		04.00 -> 09.00	Pre cat Cyl 4-6	250-24589
			M52B25 (Vanos); RH drive Only; Euro 3 (D3)		04.00 -> 09.00	Post cat Cyl 1-3	250-24390
			M52B25 (Vanos); RH drive Only; Euro 3 (D3)		04.00 -> 09.00	Post cat Cyl 4-6	250-24390
<b>323Ci Coupe</b>							
2.5	E46	125	M52B25 (Vanos); LH drive Only; Euro 3 (D3)		04.99 -> 09.00	Pre cat Cyl 1-3	250-24611
			M52B25 (Vanos); LH drive Only; Euro 3 (D3)		04.99 -> 09.00	Pre cat Cyl 4-6	250-24611
			M52B25 (Vanos); LH drive Only; Euro 3 (D3)		04.99 -> 09.00	Post cat Cyl 1-3	250-24392
			M52B25 (Vanos); LH drive Only; Euro 3 (D3)		04.99 -> 09.00	Post cat Cyl 4-6	250-24392
			M52B25 (Vanos); RH drive Only; Euro 3 (D3)		06.99 -> 09.00	Pre cat Cyl 1-3	250-24589
			M52B25 (Vanos); RH drive Only; Euro 3 (D3)		06.99 -> 09.00	Pre cat Cyl 4-6	250-24589
			M52B25 (Vanos); RH drive Only; Euro 3 (D3)		06.99 -> 09.00	Post cat Cyl 1-3	250-24390
			M52B25 (Vanos); RH drive Only; Euro 3 (D3)		06.99 -> 09.00	Post cat Cyl 4-6	250-24390
<b>323i</b>							
2.5	E46	125	M52B25 (Vanos); LH drive Only		03.98 -> 09.00	Pre cat Cyl 1-3	250-24611
			M52B25 (Vanos); LH drive Only		03.98 -> 09.00	Pre cat Cyl 4-6	250-24611
			M52B25 (Vanos); LH drive Only		03.98 -> 09.00	Post cat Cyl 1-3	250-24392
			M52B25 (Vanos); LH drive Only		03.98 -> 09.00	Post cat Cyl 4-6	250-24392
			M52B25 (Vanos); RH drive Only		03.98 -> 09.00	Pre cat Cyl 1-3	250-24589
			M52B25 (Vanos); RH drive Only		03.98 -> 09.00	Pre cat Cyl 4-6	250-24390
			M52B25 (Vanos); RH drive Only		03.98 -> 09.00	Post cat Cyl 1-3	250-24589
			M52B25 (Vanos); RH drive Only		03.98 -> 09.00	Post cat Cyl 4-6	250-24390



Model / Liter	Body Code	Engine kW	Engine Code	Application Identifier Engine or Chassis	Year From→To	Position	Walker Direct Fit
<b>BMW (cont'd)</b>							
<b>SERIES 3 ( E46 ) (cont'd)</b>							
<b>325Ci Cabriolet</b>							
2.5	E46	141	M54B25		09.00 ->	Pre cat Cyl 1-3	250-24611
			M54B25		09.00 ->	Pre cat Cyl 4-6	250-24611
			M54B25		09.00 ->	Post cat Cyl 1-3	250-24392
			M54B25		09.00 ->	Post cat Cyl 4-6	250-24392
			M54B25	RH drive Only	09.00 -> 09.01	Pre cat Cyl 1-3	250-24411
			M54B25	RH drive Only	09.00 -> 09.01	Pre cat Cyl 4-6	250-24589
			M54B25	RH drive Only	09.00 -> 09.01	Post cat Cyl 1-3	250-24392
			M54B25	RH drive Only	09.00 -> 09.01	Post cat Cyl 4-6	250-24392
<b>325Ci Coupe</b>							
2.5	E46	141	M54B25		09.00 -> 12.02	Pre cat Cyl 1-3	250-24611
			M54B25		09.00 -> 12.02	Pre cat Cyl 4-6	250-24611
			M54B25		09.00 -> 12.02	Post cat Cyl 1-3	250-24392
			M54B25		09.00 -> 12.02	Post cat Cyl 4-6	250-24392
			M54B25	RH drive Only	09.00 -> 12.02	Pre cat Cyl 1-3	250-24411
			M54B25	RH drive Only	09.00 -> 12.02	Pre cat Cyl 4-6	250-24589
			M54B25	RH drive Only	09.00 -> 12.02	Post cat Cyl 1-3	250-24392
			M54B25	RH drive Only	09.00 -> 12.02	Post cat Cyl 4-6	250-24392
2.5	E46	141	M54256S5		01.03 -> 05.06	Pre cat Cyl 1-3	250-24611
			M54256S5		01.03 -> 05.06	Pre cat Cyl 4-6	250-24611
			M54256S5		01.03 -> 05.06	Post cat Cyl 1-3	250-24392
			M54256S5		01.03 -> 05.06	Post cat Cyl 4-6	250-24392
			M54256S5	RH drive Only	01.03 -> 05.06	Pre cat Cyl 1-3	250-24411
			M54256S5	RH drive Only	01.03 -> 05.06	Pre cat Cyl 4-6	250-24589
			M54256S5	RH drive Only	01.03 -> 05.06	Post cat Cyl 1-3	250-24392
			M54256S5	RH drive Only	01.03 -> 05.06	Post cat Cyl 4-6	250-24392
<b>325i</b>							
2.5	E46	141	M54B25		09.01 -> 02.05	Pre cat Cyl 1-3	250-24611
			M54B25		09.01 -> 02.05	Pre cat Cyl 4-6	250-24611
			M54B25		09.01 -> 02.05	Post cat Cyl 1-3	250-24392
			M54B25		09.01 -> 02.05	Post cat Cyl 4-6	250-24392
			M54B25	RH drive Only	09.01 -> 02.05	Pre cat Cyl 1-3	250-24411
			M54B25	RH drive Only	09.01 -> 02.05	Pre cat Cyl 4-6	250-24589
			M54B25	RH drive Only	09.01 -> 02.05	Post cat Cyl 1-3	250-24392
			M54B25	RH drive Only	09.01 -> 02.05	Post cat Cyl 4-6	250-24392
<b>325i Touring</b>							
2.5	E46	141	M54B25		09.01 -> 02.05	Pre cat Cyl 1-3	250-24611
			M54B25		09.01 -> 02.05	Pre cat Cyl 4-6	250-24611
			M54B25		09.01 -> 02.05	Post cat Cyl 1-3	250-24392
			M54B25		09.01 -> 02.05	Post cat Cyl 4-6	250-24392
			M54B25	RH drive Only	09.01 -> 02.05	Pre cat Cyl 1-3	250-24411
			M54B25	RH drive Only	09.01 -> 02.05	Pre cat Cyl 4-6	250-24589
			M54B25	RH drive Only	09.01 -> 02.05	Post cat Cyl 1-3	250-24392
			M54B25	RH drive Only	09.01 -> 02.05	Post cat Cyl 4-6	250-24392
<b>325ti Compact</b>							
2.5	E46	141	M54B25		06.01 -> 02.05	Pre cat Cyl 1-3	250-24611
			M54B25		06.01 -> 02.05	Pre cat Cyl 4-6	250-24611
			M54B25		06.01 -> 02.05	Post cat Cyl 1-3	250-24392
			M54B25		06.01 -> 02.05	Post cat Cyl 4-6	250-24392
			M54B25	RH drive Only	06.01 -> 02.05	Pre cat Cyl 1-3	250-24411
			M54B25	RH drive Only	06.01 -> 02.05	Pre cat Cyl 4-6	250-24589
			M54B25	RH drive Only	06.01 -> 02.05	Post cat Cyl 1-3	250-24392
			M54B25	RH drive Only	06.01 -> 02.05	Post cat Cyl 4-6	250-24392
<b>325xi</b>							
2.5	E46	141	M54B25		09.01 -> 02.05	Pre cat Cyl 1-3	250-24611
			M54B25		09.01 -> 02.05	Pre cat Cyl 4-6	250-24611
			M54B25		09.01 -> 02.05	Post cat Cyl 1-3	250-24392
			M54B25		09.01 -> 02.05	Post cat Cyl 4-6	250-24392
<b>325xi Touring</b>							
2.5	E46	141	M54B25		09.01 -> 12.02	Pre cat Cyl 1-3	250-24611
			M54B25		09.01 -> 12.02	Pre cat Cyl 4-6	250-24611
			M54B25		09.01 -> 12.02	Post cat Cyl 1-3	250-24392
			M54B25		09.01 -> 12.02	Post cat Cyl 4-6	250-24392
2.5	E46	141	M54256S5		01.03 -> 02.05	Pre cat Cyl 1-3	250-24611
			M54256S5		01.03 -> 02.05	Pre cat Cyl 4-6	250-24611
			M54256S5		01.03 -> 02.05	Post cat Cyl 1-3	250-24392
			M54256S5		01.03 -> 02.05	Post cat Cyl 4-6	250-24392





Model / Liter	Body Code	Engine kW	Engine Code	Application Identifier Engine or Chassis	Year From→ To	Position	Walker Direct Fit
<b>BMW (cont'd)</b>							
<b>SERIES 3 ( E46 ) (cont'd)</b>							
<b>328Ci Coupe</b>							
2.8	E46	142	M52B28	Euro 3 (D3)	04.99 -> 06.00	Pre cat Cyl 1-3	250-24611
			M52B28	Euro 3 (D3)	04.99 -> 06.00	Pre cat Cyl 4-6	250-24611
			M52B28	Euro 3 (D3)	04.99 -> 06.00	Post cat Cyl 1-3	250-24392
			M52B28	Euro 3 (D3)	04.99 -> 06.00	Post cat Cyl 4-6	250-24392
			M52B28	RH drive Only; Euro 3 (D3)	06.99 -> 06.00	Pre cat Cyl 1-3	250-24589
			M52B28	RH drive Only; Euro 3 (D3)	06.99 -> 06.00	Pre cat Cyl 4-6	250-24589
			M52B28	RH drive Only; Euro 3 (D3)	06.99 -> 06.00	Post cat Cyl 1-3	250-24390
			M52B28	RH drive Only; Euro 3 (D3)	06.99 -> 06.00	Post cat Cyl 4-6	250-24390
<b>328i</b>							
2.8	E46	142	M52B28		03.98 -> 06.00	Pre cat Cyl 1-3	250-24611
			M52B28		03.98 -> 06.00	Pre cat Cyl 4-6	250-24611
			M52B28		03.98 -> 06.00	Post cat Cyl 1-3	250-24392
			M52B28		03.98 -> 06.00	Post cat Cyl 4-6	250-24392
			M52B28	RH drive Only	03.98 -> 06.00	Pre cat Cyl 1-3	250-24589
			M52B28	RH drive Only	03.98 -> 06.00	Pre cat Cyl 4-6	250-24589
			M52B28	RH drive Only	03.98 -> 06.00	Post cat Cyl 1-3	250-24390
			M52B28	RH drive Only	03.98 -> 06.00	Post cat Cyl 4-6	250-24390
<b>328Ci Touring</b>							
2.8	E46	142	M52B28	Euro 3 (D3)	10.99 -> 06.00	Pre cat Cyl 1-3	250-24611
			M52B28	Euro 3 (D3)	10.99 -> 06.00	Pre cat Cyl 4-6	250-24611
			M52B28	Euro 3 (D3)	10.99 -> 06.00	Post cat Cyl 1-3	250-24392
			M52B28	Euro 3 (D3)	10.99 -> 06.00	Post cat Cyl 4-6	250-24392
			M52B28	RH drive Only; Euro 3 (D3)	10.99 -> 06.00	Pre cat Cyl 1-3	250-24589
			M52B28	RH drive Only; Euro 3 (D3)	10.99 -> 06.00	Pre cat Cyl 4-6	250-24589
			M52B28	RH drive Only; Euro 3 (D3)	10.99 -> 06.00	Post cat Cyl 1-3	250-24390
			M52B28	RH drive Only; Euro 3 (D3)	10.99 -> 06.00	Post cat Cyl 4-6	250-24390
<b>330Cd</b>							
3.0	E46	150	M57D30TU		07.03 -> 05.06	Post cat	250-25043
<b>330Ci Cabriolet</b>							
3.0	E46	170	M54B30		07.00 ->	Pre cat Cyl 1-3	250-24611
			M54B30		07.00 ->	Pre cat Cyl 4-6	250-24611
			M54B30		07.00 ->	Post cat Cyl 1-3	250-24392
			M54B30		07.00 ->	Post cat Cyl 4-6	250-24392
			M54B30	RH drive Only	07.00 -> 09.00	Pre cat Cyl 1-3	250-24589
			M54B30	RH drive Only	07.00 -> 09.00	Pre cat Cyl 4-6	250-24589
			M54B30	RH drive Only	07.00 -> 09.00	Post cat Cyl 1-3	250-24390
			M54B30	RH drive Only	07.00 -> 09.00	Post cat Cyl 4-6	250-24390
			M54B30	RH drive Only	09.00 ->	Pre cat Cyl 1-3	250-24411
			M54B30	RH drive Only	09.00 ->	Pre cat Cyl 4-6	250-24589
			M54B30	RH drive Only	09.00 ->	Post cat Cyl 1-3	250-24390
			M54B30	RH drive Only	09.00 ->	Post cat Cyl 4-6	250-24390
<b>330d</b>							
3.0	E46	150	M57D30204		03.03 -> 02.05	Post cat	250-25043
<b>330d Touring</b>							
3.0	E46	150	M57D30TU		03.03 -> 02.05	Post cat	250-25043
<b>330i</b>							
3.0	E46	170	M54B30		08.00 -> 02.05	Pre cat Cyl 1-3	250-24611
			M54B30		08.00 -> 02.05	Pre cat Cyl 4-6	250-24611
			M54B30		08.00 -> 02.05	Post cat Cyl 1-3	250-24392
			M54B30		08.00 -> 02.05	Post cat Cyl 4-6	250-24392
			M54B30	RH drive Only	09.01 -> 02.05	Pre cat Cyl 1-3	250-24411
			M54B30	RH drive Only	09.01 -> 02.05	Pre cat Cyl 4-6	250-24589
			M54B30	RH drive Only	09.01 -> 02.05	Post cat Cyl 1-3	250-24390
			M54B30	RH drive Only	09.01 -> 02.05	Post cat Cyl 4-6	250-24390
<b>330i Touring</b>							
3.0	E46	170	M54B30		08.00 -> 12.02	Pre cat Cyl 1-3	250-24611
			M54B30		08.00 -> 12.02	Pre cat Cyl 4-6	250-24611
			M54B30		08.00 -> 12.02	Post cat Cyl 1-3	250-24392
			M54B30		08.00 -> 12.02	Post cat Cyl 4-6	250-24392
			M54B30	RH drive Only	08.00 -> 09.00	Pre cat Cyl 1-3	250-24589
			M54B30	RH drive Only	08.00 -> 09.00	Pre cat Cyl 4-6	250-24589
			M54B30	RH drive Only	08.00 -> 09.00	Post cat Cyl 1-3	250-24390
			M54B30	RH drive Only	08.00 -> 09.00	Post cat Cyl 4-6	250-24390
			M54B30	RH drive Only	09.00 -> 12.02	Pre cat Cyl 1-3	250-24411
			M54B30	RH drive Only	09.00 -> 12.02	Pre cat Cyl 4-6	250-24589
			M54B30	RH drive Only	09.00 -> 12.02	Post cat Cyl 1-3	250-24390
			M54B30	RH drive Only	09.00 -> 12.02	Post cat Cyl 4-6	250-24390





Model / Liter	Body Code	Engine kW	Engine Code	Application Identifier Engine or Chassis	Year From→To	Position	Walker Direct Fit
<b>BMW (cont'd)</b>							
<b>SERIES 3 ( E46 ) (cont'd)</b>							
<b>330i Touring (cont'd)</b>							
3.0	E46	170	M54306S3		01.03 -> 02.05	Pre cat Cyl 1-3	250-24611
			M54306S3		01.03 -> 02.05	Pre cat Cyl 4-6	250-24611
			M54306S3		01.03 -> 02.05	Post cat Cyl 1-3	250-24392
			M54306S3		01.03 -> 02.05	Post cat Cyl 4-6	250-24392
3.0	E46	170	M54B30		01.03 -> 02.05	Pre cat Cyl 1-3	250-24611
			M54B30		01.03 -> 02.05	Pre cat Cyl 4-6	250-24611
			M54B30		01.03 -> 02.05	Post cat Cyl 1-3	250-24392
			M54B30		01.03 -> 02.05	Post cat Cyl 4-6	250-24392
			M54B30	RH drive Only	01.03 -> 02.05	Pre cat Cyl 1-3	250-24411
			M54B30	RH drive Only	01.03 -> 02.05	Pre cat Cyl 4-6	250-24589
			M54B30	RH drive Only	01.03 -> 02.05	Post cat Cyl 1-3	250-24392
			M54B30	RH drive Only	01.03 -> 02.05	Post cat Cyl 4-6	250-24392
<b>330xd</b>							
3.0	E46	150	M57D30204		03.03 -> 02.05	Post cat	250-25043
<b>330xd Touring</b>							
3.0	E46	150	M57D30TU		03.03 -> 02.05	Post cat	250-25043
<b>330xi</b>							
3.0	E46	170	M54B30231		08.00 -> 02.05	Pre cat Left	250-24611
			M54B30231		08.00 -> 02.05	Pre cat Right	250-24611
			M54B30231		08.00 -> 02.05	Post cat Left	250-24392
			M54B30231		08.00 -> 02.05	Post cat Right	250-24392
<b>330xi Coupe</b>							
3.0	E46	170	M54B30		06.00 ->	Pre cat Cyl 1-3	250-24611
			M54B30		06.00 ->	Pre cat Cyl 4-6	250-24611
			M54B30		06.00 ->	Post cat Cyl 1-3	250-24392
			M54B30		06.00 ->	Post cat Cyl 4-6	250-24392
			M54B30	RH drive Only	06.00 -> 09.00	Pre cat Cyl 1-3	250-24589
			M54B30	RH drive Only	06.00 -> 09.00	Pre cat Cyl 4-6	250-24589
			M54B30	RH drive Only	06.00 -> 09.00	Post cat Cyl 1-3	250-24390
			M54B30	RH drive Only	06.00 -> 09.00	Post cat Cyl 4-6	250-24390
			M54B30	RH drive Only	09.00 -> 12.02	Pre cat Cyl 1-3	250-24411
			M54B30	RH drive Only	09.00 -> 12.02	Pre cat Cyl 4-6	250-24589
			M54B30	RH drive Only	09.00 -> 12.02	Post cat Cyl 1-3	250-24390
			M54B30	RH drive Only	09.00 -> 12.02	Post cat Cyl 4-6	250-24390
<b>330xi Touring</b>							
3.0	E46	170	M54B30		08.00 -> 02.05	Pre cat Cyl 1-3	250-24611
			M54B30		08.00 -> 02.05	Pre cat Cyl 4-6	250-24611
			M54B30		08.00 -> 02.05	Post cat Cyl 1-3	250-24392
			M54B30		08.00 -> 02.05	Post cat Cyl 4-6	250-24392
<b>M3 Cabriolet</b>							
3.2	E46	252	S54B32		09.01 ->	Pre cat Cyl 1-3	250-24445
			S54B32		09.01 ->	Pre cat Cyl 4-6	250-24444
			S54B32		09.01 ->	Post cat Cyl 1-3	250-24143
			S54B32		09.01 ->	Post cat Cyl 4-6	250-24611
<b>M3 Coupe</b>							
3.2	E46	252	S54B32		07.00 -> 09.06	Pre cat Cyl 1-3	250-24445
			S54B32		07.00 -> 09.06	Pre cat Cyl 4-6	250-24444
			S54B32		07.00 -> 09.06	Post cat Cyl 1-3	250-24143
			S54B32		07.00 -> 09.06	Post cat Cyl 4-6	250-24611
<b>M3 CSL Coupe</b>							
3.2	E46	265	S54N326S4		06.03 -> 12.03	Pre cat Cyl 1-3	250-24445
			S54N326S4		06.03 -> 12.03	Pre cat Cyl 4-6	250-24444
			S54N326S4		06.03 -> 12.03	Post cat Cyl 1-3	250-24611
			S54N326S4		06.03 -> 12.03	Post cat Cyl 4-6	250-24143
<b>SERIES 3 ( E90 )</b>							
<b>318d</b>							
2.0	E90	90	M47D20U2		09.05 -> 08.07	Post cat	250-25042
<b>320d</b>							
2.0	E90	120	M47N204D4		03.05 -> 08.07	Post cat	250-25042
<b>325d</b>							
3.0	E90	145	M57D30U2		09.06 ->	Post cat	250-25042
<b>325i</b>							
2.5	E90	160	N52B25 / B25A		03.05 -> 11.05	Pre cat Cyl 1-3	250-25042
			N52B25 / B25A		03.05 -> 11.05	Pre cat Cyl 4-6	250-25042
			N52B25 / B25A		03.05 -> 11.05	Post cat Cyl 1-3	250-24713
			N52B25 / B25A		03.05 -> 11.05	Post cat Cyl 4-6	250-24465



Model / Liter	Body Code	kW	Engine Code	Application Identifier Engine or Chassis	Year From→ To	Position	Walker Direct Fit
<b>BMW (cont'd)</b>							
<b>SERIES 3 ( E90 )</b>							
<b>325i (cont'd)</b>							
2.5	E90	160	N52B25 / B25A		11.05 -> 08.07	Pre cat Cyl 1-3	250-25046
			N52B25 / B25A		11.05 -> 08.07	Pre cat Cyl 4-6	250-25046
			N52B25 / B25A		11.05 -> 08.07	Post cat Cyl 1-3	250-24713
			N52B25 / B25A		11.05 -> 08.07	Post cat Cyl 4-6	250-24465
			N54B25	RH drive Only	09.07 ->	Pre cat Cyl 1-3	250-25018
			N54B25	RH drive Only	09.07 ->	Pre cat Cyl 4-6	250-25046
			N54B25	RH drive Only	09.07 ->	Post cat Cyl 1-3	250-24465
			N54B25	RH drive Only	09.07 ->	Post cat Cyl 4-6	250-24713
2.5	E90	160	N53B25		11.05 -> 08.07	Pre cat Cyl 1-3	250-25018
			N53B25		11.05 -> 08.07	Pre cat Cyl 4-6	250-25046
			N53B25		11.05 -> 08.07	Post cat Cyl 1-3	250-24713
			N53B25		11.05 -> 08.07	Post cat Cyl 4-6	250-24465
<b>325xi</b>							
2.5	E90	160	N52B25 / B25A		09.05 -> 11.05	Pre cat Cyl 1-3	250-25042
			N52B25 / B25A		09.05 -> 11.05	Pre cat Cyl 4-6	250-25042
			N52B25 / B25A		09.05 -> 11.05	Post cat Cyl 1-3	250-24713
			N52B25 / B25A		09.05 -> 11.05	Post cat Cyl 4-6	250-24465
			N52B25 / B25A		11.05 -> 08.07	Pre cat Cyl 1-3	250-25018
			N52B25 / B25A		11.05 -> 08.07	Pre cat Cyl 4-6	250-25046
2.5	E90	160	N53B30		09.05 -> 08.07	Post cat Cyl 1-3	250-24713
			N53B30		09.05 -> 08.07	Post cat Cyl 4-6	250-24465
			N53B30		09.07 ->	Pre cat Cyl 1-3	250-25018
			N53B30		09.07 ->	Pre cat Cyl 4-6	250-25046
			N53B30		09.07 ->	Post cat Cyl 1-3	250-24465
			N53B30		09.07 ->	Post cat Cyl 4-6	250-24713
<b>330d</b>							
3.0	E90	170	M57D30TU2		09.05 ->	Post cat	250-25042
<b>330i</b>							
3.0	E90	190	N52B30		03.05 -> 11.05	Pre cat Cyl 1-3	250-25042
			N52B30		03.05 -> 11.05	Pre cat Cyl 4-6	250-25042
			N52B30		03.05 -> 11.05	Post cat Cyl 1-3	250-24713
			N52B30		03.05 -> 11.05	Post cat Cyl 4-6	250-24465
			N52B30		11.05 -> 08.07	Pre cat Cyl 1-3	250-25018
			N52B30		11.05 -> 08.07	Pre cat Cyl 4-6	250-25046
			N52B30		11.05 -> 08.07	Post cat Cyl 1-3	250-24713
			N52B30		11.05 -> 08.07	Post cat Cyl 4-6	250-24465
3.0	E90	200	N53B30	RH drive Only	09.07 ->	Pre cat Cyl 1-3	250-25018
			N53B30	RH drive Only	09.07 ->	Pre cat Cyl 4-6	250-25046
			N53B30	RH drive Only	09.07 ->	Post cat Cyl 1-3	250-24465
			N53B30	RH drive Only	09.07 ->	Post cat Cyl 4-6	250-24713
<b>330xd</b>							
3.0	E90	170	M57D30TU2		09.05 ->	Post cat	250-25042
<b>330xi</b>							
3.0	E90	190	N52B30		09.05 -> 11.05	Pre cat Cyl 1-3	250-25042
			N52B30		09.05 -> 11.05	Pre cat Cyl 4-6	250-25042
			N52B30		09.05 -> 11.05	Post cat Cyl 1-3	250-24713
			N52B30		09.05 -> 11.05	Post cat Cyl 4-6	250-24465
			N52B30		11.05 -> 08.07	Pre cat Cyl 1-3	250-25018
			N52B30		11.05 -> 08.07	Pre cat Cyl 4-6	250-25018
			N52B30		11.05 -> 08.07	Post cat Cyl 1-3	250-24713
			N52B30		11.05 -> 08.07	Post cat Cyl 4-6	250-24465
3.0	E90	200	N52B30		09.07 ->	Pre cat Cyl 1-3	250-25018
			N52B30		09.07 ->	Pre cat Cyl 4-6	250-25046
			N52B30		09.07 ->	Post cat Cyl 1-3	250-24465
			N52B30		09.07 ->	Post cat Cyl 4-6	250-24713
<b>335i</b>							
3.0	E90	225	N54B30		09.06 ->	Pre cat Cyl 1-3	250-25018
			N54B30		09.06 ->	Pre cat Cyl 4-6	250-25047
			N54B30		09.06 ->	Post cat Cyl 1-3	250-24713
			N54B30		09.06 ->	Post cat Cyl 4-6	250-24465
<b>335xi</b>							
3.0	E90	225	N53B30		09.07 ->	Pre cat Cyl 1-3	250-25018
			N53B30		09.07 ->	Pre cat Cyl 4-6	250-25047
			N53B30		09.07 ->	Post cat Cyl 1-3	250-24713
			N53B30		09.07 ->	Post cat Cyl 4-6	250-24465



Model / Liter	Body Code	Engine kW	Engine Code	Application Identifier Engine or Chassis	Year From→To	Position	Walker Direct Fit
<b>BMW (cont'd)</b>							
<b>SERIES 3 ( E91 )</b>							
<b>318d Touring</b>							
2.0	E91	90	M47D20U2		02.06 -> 08.07	Post cat	250-25042
<b>320d Touring</b>							
2.0	E91	120	M47D20TU2		09.05 -> 08.07	Post cat	250-25042
<b>325d Touring</b>							
2.0	E91	145	M57D30U2		09.06 ->	Post cat	250-25042
<b>325i Touring</b>							
2.5	E91	160	N52B25		09.05 -> 11.05	Pre cat Cyl 1-3	250-25042
			N52B25		09.05 -> 11.05	Pre cat Cyl 4-6	250-25042
			N52B25		09.05 -> 11.05	Post cat Cyl 1-3	250-24713
			N52B25		09.05 -> 11.05	Post cat Cyl 4-6	250-24465
			N52B25		11.05 -> 08.07	Pre cat Cyl 1-3	250-25018
			N52B25		11.05 -> 08.07	Pre cat Cyl 4-6	250-25046
			N52B25		11.05 -> 08.07	Post cat Cyl 1-3	250-24713
			N52B25		11.05 -> 08.07	Post cat Cyl 4-6	250-24465
			N53B25	RH drive Only	09.07 ->	Pre cat Cyl 1-3	250-25018
			N53B25	RH drive Only	09.07 ->	Pre cat Cyl 4-6	250-25046
			N53B25	RH drive Only	09.07 ->	Post cat Cyl 1-3	250-24465
			N53B25	RH drive Only	09.07 ->	Post cat Cyl 4-6	250-24713
<b>325xi Touring</b>							
2.5	E91	160	N52B25		09.05 -> 11.05	Pre cat Cyl 1-3	250-25042
			N52B25		09.05 -> 11.05	Pre cat Cyl 4-6	250-25042
			N52B25		09.05 -> 11.05	Post cat Cyl 1-3	250-24713
			N52B25		09.05 -> 11.05	Post cat Cyl 4-6	250-24465
			N52B25		11.05 -> 08.07	Pre cat Cyl 1-3	250-25018
			N52B25		11.05 -> 08.07	Pre cat Cyl 4-6	250-25046
			N52B25		11.05 -> 08.07	Post cat Cyl 1-3	250-24713
			N52B25		11.05 -> 08.07	Post cat Cyl 4-6	250-24465
			N52B25		09.07 ->	Pre cat Cyl 1-3	250-25018
			N52B25		09.07 ->	Pre cat Cyl 4-6	250-25046
			N53B25		09.07 ->	Post cat Cyl 1-3	250-24465
			N53B25		09.07 ->	Post cat Cyl 4-6	250-24713
<b>330d Touring</b>							
3.0	E91	170	M57D30TU2		09.05 ->	Post cat	250-25042
<b>330i Touring</b>							
3.0	E91	190	N52B30		09.05 -> 11.05	Pre cat Cyl 1-3	250-25042
			N52B30		09.05 -> 11.05	Pre cat Cyl 4-6	250-25042
			N52B30		09.05 -> 11.05	Post cat Cyl 1-3	250-24713
			N52B30		09.05 -> 11.05	Post cat Cyl 4-6	250-24465
			N52B30		11.05 -> 08.07	Pre cat Cyl 1-3	250-25018
			N52B30		11.05 -> 08.07	Pre cat Cyl 4-6	250-25046
			N52B30		11.05 -> 08.07	Post cat Cyl 1-3	250-24713
			N52B30		11.05 -> 08.07	Post cat Cyl 4-6	250-24465
			N53B30	RH drive Only	09.07 ->	Pre cat Cyl 1-3	250-25018
			N53B30	RH drive Only	09.07 ->	Pre cat Cyl 4-6	250-25046
			N53B30	RH drive Only	09.07 ->	Post cat Cyl 1-3	250-24465
			N53B30	RH drive Only	09.07 ->	Post cat Cyl 4-6	250-24713
<b>330xd Touring</b>							
3.0	E91	170	M57D30TU2		09.05 ->	Post cat	250-25042
<b>330xi Touring</b>							
3.0	E91	190	N52B30		09.05 -> 11.05	Pre cat Cyl 1-3	250-25042
			N52B30		09.05 -> 11.05	Pre cat Cyl 4-6	250-25042
			N52B30		09.05 -> 11.05	Post cat Cyl 1-3	250-24713
			N52B30		09.05 -> 11.05	Post cat Cyl 4-6	250-24465
			N52B30		11.05 -> 08.07	Pre cat Cyl 1-3	250-25018
			N52B30		11.05 -> 08.07	Pre cat Cyl 4-6	250-25046
			N52B30		11.05 -> 08.07	Post cat Cyl 1-3	250-24713
			N52B30		11.05 -> 08.07	Post cat Cyl 4-6	250-24465
3.0	E91	200	N53B30		09.07 ->	Pre cat Cyl 1-3	250-25018
			N53B30		09.07 ->	Pre cat Cyl 4-6	250-25046
			N53B30		09.07 ->	Post cat Cyl 1-3	250-24465
			N53B30		09.07 ->	Post cat Cyl 4-6	250-24713
<b>335i Touring</b>							
3.0	E91	225	N54B30		09.06 ->	Pre cat Cyl 1-3	250-25018
			N54B30		09.06 ->	Pre cat Cyl 4-6	250-25047
			N54B30		09.06 ->	Post cat Cyl 1-3	250-24713
			N54B30		09.06 ->	Post cat Cyl 4-6	250-24465



Model / Liter	Body Code	kW	Engine Code	Application Identifier Engine or Chassis	Year From→ To	Position	Walker Direct Fit
<b>BMW (cont'd)</b>							
<b>SERIES 3 ( E91 ) (cont'd)</b>							
<b>335xi Touring</b>							
3.0	E91	225	N53B30		09.07 ->	Pre cat Cyl 1-3	250-25018
			N53B30		09.07 ->	Pre cat Cyl 4-6	250-25047
			N53B30		09.07 ->	Post cat Cyl 1-3	250-24713
			N53B30		09.07 ->	Post cat Cyl 4-6	250-24465
<b>SERIES 3 ( E92 )</b>							
<b>325d</b>							
3.0	E92	145	M57D30U2		03.07 ->	Post cat	250-25042
<b>325i Coupe</b>							
2.5	E92	160	N52B25		09.06 -> 08.07	Pre cat Cyl 1-3	250-25018
			N52B25		09.06 -> 08.07	Pre cat Cyl 4-6	250-25046
			N52B25		09.06 -> 08.07	Post cat Cyl 1-3	250-24713
			N52B25		09.06 -> 08.07	Post cat Cyl 4-6	250-24465
			N53B25	RH drive Only	09.07 ->	Pre cat Cyl 1-3	250-25018
			N53B25	RH drive Only	09.07 ->	Pre cat Cyl 4-6	250-25046
			N53B25	RH drive Only	09.07 ->	Post cat Cyl 1-3	250-24465
			N53B25	RH drive Only	09.07 ->	Post cat Cyl 4-6	250-24713
<b>325xi Coupe</b>							
2.5	E92	160	N52B25		09.06 -> 08.07	Pre cat Cyl 1-3	250-25018
			N52B25		09.06 -> 08.07	Pre cat Cyl 4-6	250-25046
			N52B25		09.06 -> 08.07	Post cat Cyl 1-3	250-24713
			N52B25		09.06 -> 08.07	Post cat Cyl 4-6	250-24465
			N52B25		09.07 ->	Pre cat Cyl 1-3	250-25018
			N52B25		09.07 ->	Pre cat Cyl 4-6	250-25046
			N52B25		09.07 ->	Post cat Cyl 1-3	250-24465
			N52B25		09.07 ->	Post cat Cyl 4-6	250-24713
<b>330d</b>							
3.0	E92	170	M57306D3		09.06 ->	Post cat	250-25042
<b>330i Coupe</b>							
3.0	E92	200	N52B30		09.06 -> 08.07	Pre cat Cyl 1-3	250-25018
			N52B30		09.06 -> 08.07	Pre cat Cyl 4-6	250-25046
			N52B30		09.06 -> 08.07	Post cat Cyl 1-3	250-24465
			N52B30		09.06 -> 08.07	Post cat Cyl 4-6	250-24713
3.0	E92	200	N53B30		09.07 ->	Pre cat Cyl 1-3	250-25018
			N53B30		09.07 ->	Pre cat Cyl 4-6	250-25046
			N53B30		09.07 ->	Post cat Cyl 1-3	250-24465
			N53B30		09.07 ->	Post cat Cyl 4-6	250-24713
<b>330xd Coupe</b>							
3.0	E92	170	M57D30TU2		09.06 ->	Post cat	250-25042
<b>330xi Coupe</b>							
3.0	E92	200	N52B30A		09.06 -> 08.07	Pre cat Cyl 1-3	250-25018
			N52B30A		09.06 -> 08.07	Pre cat Cyl 4-6	250-25046
			N52B30A		09.06 -> 08.07	Post cat Cyl 1-3	250-24713
			N52B30A		09.06 -> 08.07	Post cat Cyl 4-6	250-24465
3.0	E92	200	N53B30		09.07 ->	Pre cat Cyl 1-3	250-25018
			N53B30		09.07 ->	Pre cat Cyl 4-6	250-25046
			N53B30		09.07 ->	Post cat Cyl 1-3	250-24465
			N53B30		09.07 ->	Post cat Cyl 4-6	250-24713
<b>335i Coupe</b>							
3.0	E92	225	N54B30A		09.06 ->	Pre cat Cyl 1-3	250-25018
			N54B30A		09.06 ->	Pre cat Cyl 4-6	250-25047
			N54B30A		09.06 ->	Post cat Cyl 1-3	250-24713
			N54B30A		09.06 ->	Post cat Cyl 4-6	250-24465
<b>335xi Coupe</b>							
3.0	E92	225	N53B30		09.06 ->	Pre cat Cyl 1-3	250-25018
			N53B30		09.06 ->	Pre cat Cyl 4-6	250-25047
			N53B30		09.06 ->	Post cat Cyl 1-3	250-24713
			N53B30		09.06 ->	Post cat Cyl 4-6	250-24465
<b>M3 Coupe</b>							
3.0	E92	309	S65B40		09.07 ->	Pre cat Cyl 1-3	250-25042
			S65B40		09.07 ->	Pre cat Cyl 4-6	250-25042
			S65B40		09.07 ->	Post cat Cyl 1-3	250-24464
			S65B40		09.07 ->	Post cat Cyl 4-6	250-24464
<b>SERIES 3 ( E93 )</b>							
<b>325d Cabriolet</b>							
3.0	E93	145	M57D30U2		03.07 ->	Post cat	250-25042





Model / Liter	Body Code	Engine kW	Engine Code	Application Identifier Engine or Chassis	Year From→ To	Position	Walker Direct Fit
<b>BMW (cont'd)</b>							
<b>SERIES 3 ( E93 )</b>							
<b>325i Cabriolet</b>							
3.0	E93	160	N52B25A		03.07 ->	Pre cat Cyl 1-3	250-25018
			N52B25A		03.07 ->	Pre cat Cyl 4-6	250-25046
			N52B25A		03.07 ->	Post cat Cyl 1-3	250-24713
			N52B25A		03.07 ->	Post cat Cyl 4-6	250-24465
3.0	E93	160	N53B30		03.07 ->	Pre cat Cyl 1-3	250-25018
			N53B30		03.07 ->	Pre cat Cyl 4-6	250-25046
			N53B30		03.07 ->	Post cat Cyl 1-3	250-24465
			N53B30		03.07 ->	Post cat Cyl 4-6	250-24713
<b>330d Cabriolet</b>							
3.0	E93	170	M57D30O2		03.07 ->	Post cat	250-25042
<b>330i Cabriolet</b>							
3.0	E93	200	N53B30		03.07 ->	Pre cat Cyl 1-3	250-25018
			N53B30		03.07 ->	Pre cat Cyl 4-6	250-25046
			N53B30		03.07 ->	Post cat Cyl 1-3	250-24465
			N53B30		03.07 ->	Post cat Cyl 4-6	250-24713
<b>335i Cabriolet</b>							
3.0	E93	225	N54B30		03.07 ->	Pre cat Cyl 1-3	250-25018
			N54B30		03.07 ->	Pre cat Cyl 4-6	250-25047
			N54B30		03.07 ->	Post cat Cyl 1-3	250-24713
			N54B30		03.07 ->	Post cat Cyl 4-6	250-24465
<b>SERIES 5 ( E34 )</b>							
<b>518g Touring</b>							
	E34	85	M43B18		11.95 -> 06.96		250-24613
<b>518i</b>							
	E34	83	M43B18		06.94 -> 09.95		250-24613
	E34	85	M43B18		05.94 -> 09.95		250-24613
<b>518i Touring</b>							
	E34	85	M43B18		09.94 -> 09.96		250-24613
<b>520i</b>							
	E34	95	M20B20	Motronic, Cat.	01.88 -> 07.00		250-24613
<b>520i Touring</b>							
	E34	110	M50B20		06.92 -> 09.96		250-24510
<b>525i</b>							
	E34	125	M20B25	w/ Cat.	02.88 -> 08.00		250-24613
<b>525i Touring</b>							
	E34	141	M50B25		11.91 -> 09.96		250-24021
<b>525i X</b>							
	E34	141	M50B25		02.92 -> 03.96		250-24021
<b>530i</b>							
	E34	138	M30B30	w/ Cat.	01.88 -> 06.00		250-24382
<b>530i V8</b>							
	E34	160	M60B30		06.94 -> 09.95	Pre cat Left	250-24381
			M60B30		06.94 -> 09.95	Pre cat Right	250-24381
<b>530i V8 Touring</b>							
	E34	160	M60B30		06.94 -> 09.96	Pre cat Left	250-24381
			M60B30		06.94 -> 09.96	Pre cat Right	250-24381
<b>540i Touring</b>							
	E34	210	M60B40		06.94 -> 09.96	Pre cat Left	250-24381
			M60B40		06.94 -> 09.96	Pre cat Right	250-24381
<b>540i V8</b>							
	E34	210	M60B40		06.94 -> 09.95	Pre cat Left	250-24381
			M60B40		06.94 -> 09.95	Pre cat Right	250-24381
<b>M5 Touring</b>							
3.8	E34	250	S 38 B 38		09.94 -> 01.97		250-24382
<b>SERIES 5 ( E39 )</b>							
<b>520i</b>							
2.0	E39	100	M52B20	Euro 3 (D3)	07.99 -> 04.03	Pre cat Cyl 1-3	250-24611
			M52B20	Euro 3 (D3)	07.99 -> 04.03	Pre cat Cyl 4-6	250-24611
			M52B20	Euro 3 (D3)	04.99 -> 04.03	Post cat Cyl 1-3	250-24392
			M52B20	Euro 3 (D3)	04.99 -> 04.03	Post cat Cyl 4-6	250-24392
			M52B20	RH drive Only; Euro 3 (D3)	07.99 -> 04.03	Pre cat Cyl 1-3	250-24589
			M52B20	RH drive Only; Euro 3 (D3)	07.99 -> 04.03	Pre cat Cyl 4-6	250-24589
			M52B20	RH drive Only; Euro 3 (D3)	04.99 -> 04.03	Post cat Cyl 1-3	250-24392
			M52B20	RH drive Only; Euro 3 (D3)	04.99 -> 04.03	Post cat Cyl 4-6	250-24392



Model / Liter	Body Code	kW	Engine Code	Application Identifier Engine or Chassis	Year From→ To	Position	Walker Direct Fit
<b>BMW (cont'd)</b>							
<b>SERIES 5 ( E39 ) (cont'd)</b>							
<b>520i (cont'd)</b>							
2.0	E39	110	M52B (206S4), (206S3) Vanos		07.96 -> 09.98	Pre cat Cyl 1-3	250-24810
			M52B (206S4), (206S3) Vanos		07.96 -> 09.98	Pre cat Cyl 4-6	250-24810
			M52B (206S4), (206S3) Vanos		09.98 -> 09.00	Pre cat Cyl 1-3	250-24611
			M52B (206S4), (206S3) Vanos		09.98 -> 09.00	Pre cat Cyl 4-6	250-24611
			M52B (206S4), (206S3) Vanos		09.98 -> 09.00	Post cat Cyl 1-3	250-24392
			M52B (206S4), (206S3) Vanos		09.98 -> 09.00	Post cat Cyl 4-6	250-24392
			M52B (206S4), (206S3) Vanos; RH drive Only		09.98 -> 09.00	Pre cat Cyl 1-3	250-24589
			M52B (206S4), (206S3) Vanos; RH drive Only		09.98 -> 09.00	Pre cat Cyl 4-6	250-24589
			M52B (206S4), (206S3) Vanos; RH drive Only		09.98 -> 09.00	Post cat Cyl 1-3	250-24392
			M52B (206S4), (206S3) Vanos; RH drive Only		09.98 -> 09.00	Post cat Cyl 4-6	250-24392
2.2	E39	125	M54B22		09.00 -> 04.03	Pre cat Cyl 1-3	250-24611
			M54B22		09.00 -> 04.03	Pre cat Cyl 4-6	250-24611
			M54B22		09.00 -> 04.03	Post cat Cyl 1-3	250-24392
			M54B22		09.00 -> 04.03	Post cat Cyl 4-6	250-24392
			M54B22	RH drive Only	09.00 -> 04.03	Pre cat Cyl 1-3	250-24411
			M54B22	RH drive Only	09.00 -> 04.03	Pre cat Cyl 4-6	250-24411
			M54B22	RH drive Only	09.00 -> 04.03	Post cat Cyl 1-3	250-24392
			M54B22	RH drive Only	09.00 -> 04.03	Post cat Cyl 4-6	250-24392
<b>520i Touring</b>							
2.0	E39	100	M52B20	Euro 3 (D3)	07.99 -> 04.04	Pre cat Cyl 1-3	250-24611
			M52B20	Euro 3 (D3)	07.99 -> 04.04	Pre cat Cyl 4-6	250-24611
			M52B20	Euro 3 (D3)	07.99 -> 04.04	Post cat Cyl 1-3	250-24392
			M52B20	Euro 3 (D3)	07.99 -> 04.04	Post cat Cyl 4-6	250-24392
			M52B20	RH drive Only; Euro 3 (D3)	07.99 -> 04.04	Pre cat Cyl 1-3	250-24589
			M52B20	RH drive Only; Euro 3 (D3)	07.99 -> 04.04	Pre cat Cyl 4-6	250-24589
			M52B20	RH drive Only; Euro 3 (D3)	07.99 -> 04.04	Post cat Cyl 1-3	250-24392
			M52B20	RH drive Only; Euro 3 (D3)	07.99 -> 04.04	Post cat Cyl 4-6	250-24392
2.0	E39	110	M52B20		01.97 -> 09.98	Pre cat Cyl 1-3	250-24810
			M52B20		01.97 -> 09.98	Pre cat Cyl 4-6	250-24810
			M52B20		09.98 -> 09.00	Pre cat Cyl 1-3	250-24611
			M52B20		09.98 -> 09.00	Pre cat Cyl 4-6	250-24611
			M52B20		09.98 -> 09.00	Post cat Cyl 1-3	250-24392
			M52B20		09.98 -> 09.00	Post cat Cyl 4-6	250-24392
			M52B20	RH drive Only	09.98 -> 09.00	Pre cat Cyl 1-3	250-24589
			M52B20	RH drive Only	09.98 -> 09.00	Pre cat Cyl 4-6	250-24589
			M52B20	RH drive Only	09.98 -> 09.00	Post cat Cyl 1-3	250-24392
			M52B20	RH drive Only	09.98 -> 09.00	Post cat Cyl 4-6	250-24392
2.2	E39	125	M54B22		09.00 -> 04.04	Pre cat Cyl 1-3	250-24611
			M54B22		09.00 -> 04.04	Pre cat Cyl 4-6	250-24611
			M54B22		09.00 -> 04.04	Post cat Cyl 1-3	250-24392
			M54B22		09.00 -> 04.04	Post cat Cyl 4-6	250-24392
			M54B22	RH drive Only	09.00 -> 04.04	Pre cat Cyl 1-3	250-24411
			M54B22	RH drive Only	09.00 -> 04.04	Pre cat Cyl 4-6	250-24411
			M54B22	RH drive Only	09.00 -> 04.04	Post cat Cyl 1-3	250-24392
			M54B22	RH drive Only	09.00 -> 04.04	Post cat Cyl 4-6	250-24392
<b>523i</b>							
2.5	E39	125	M52B25 (Vanos)		11.95 -> 09.98	Pre cat Cyl 1-3	250-24810
			M52B25 (Vanos)		11.95 -> 09.98	Pre cat Cyl 4-6	250-24810
			M52B25 (Vanos)		09.98 -> 09.00	Pre cat Cyl 1-3	250-24611
			M52B25 (Vanos)		09.98 -> 09.00	Pre cat Cyl 4-6	250-24611
			M52B25 (Vanos)		09.98 -> 09.00	Post cat Cyl 1-3	250-24392
			M52B25 (Vanos)		09.98 -> 09.00	Post cat Cyl 4-6	250-24392
			M52B25 (Vanos); RH drive Only		09.98 -> 09.00	Pre cat Cyl 1-3	250-24589
			M52B25 (Vanos); RH drive Only		09.98 -> 09.00	Pre cat Cyl 4-6	250-24589
			M52B25 (Vanos); RH drive Only		09.98 -> 09.00	Post cat Cyl 1-3	250-24392
			M52B25 (Vanos); RH drive Only		09.98 -> 09.00	Post cat Cyl 4-6	250-24392
<b>523i Touring</b>							
2.5	E39	125	M52B25 (Vanos)		01.97 -> 09.98	Pre cat Cyl 1-3	250-24810
			M52B25 (Vanos)		01.97 -> 09.98	Pre cat Cyl 4-6	250-24810
			M52B25 (Vanos)		09.98 -> 09.00	Pre cat Cyl 1-3	250-24611
			M52B25 (Vanos)		09.98 -> 09.00	Pre cat Cyl 4-6	250-24611
			M52B25 (Vanos)		09.98 -> 09.00	Post cat Cyl 1-3	250-24392
			M52B25 (Vanos)		09.98 -> 09.00	Post cat Cyl 4-6	250-24392
			M52B25 (Vanos); RH drive Only		09.98 -> 09.00	Pre cat Cyl 1-3	250-24589
			M52B25 (Vanos); RH drive Only		09.98 -> 09.00	Pre cat Cyl 4-6	250-24589
			M52B25 (Vanos); RH drive Only		09.98 -> 09.00	Post cat Cyl 1-3	250-24392
			M52B25 (Vanos); RH drive Only		09.98 -> 09.00	Post cat Cyl 4-6	250-24392



Model / Liter	Body Code	Engine kW	Engine Code	Application Identifier Engine or Chassis	Year From→To	Position	Walker Direct Fit
<b>BMW (cont'd)</b>							
<b>SERIES 5 ( E39 ) (cont'd)</b>							
<b>525i</b>							
2.5	E39	141	M54B25		09.00 -> 04.03	Pre cat Cyl 1-3	250-24611
			M54B25		09.00 -> 04.03	Pre cat Cyl 4-6	250-24611
			M54B25		09.00 -> 06.03	Post cat Cyl 1-3	250-24392
			M54B25		09.00 -> 06.03	Post cat Cyl 4-6	250-24392
			M54B25	RH drive Only	09.00 -> 04.03	Pre cat Cyl 1-3	250-24411
			M54B25	RH drive Only	09.00 -> 04.03	Pre cat Cyl 4-6	250-24411
			M54B25	RH drive Only	09.00 -> 06.03	Post cat Cyl 1-3	250-24392
			M54B25	RH drive Only	09.00 -> 06.03	Post cat Cyl 4-6	250-24392
<b>525i Touring</b>							
2.5	E39	141	M54B25		09.00 -> 04.04	Pre cat Cyl 1-3	250-24611
			M54B25		09.00 -> 04.04	Pre cat Cyl 4-6	250-24611
			M54B25		09.00 -> 04.04	Post cat Cyl 1-3	250-24392
			M54B25		09.00 -> 04.04	Post cat Cyl 4-6	250-24392
			M54B25	RH drive Only	09.00 -> 04.04	Pre cat Cyl 1-3	250-24411
			M54B25	RH drive Only	09.00 -> 04.04	Pre cat Cyl 4-6	250-24411
			M54B25	RH drive Only	09.00 -> 04.04	Post cat Cyl 1-3	250-24392
			M54B25	RH drive Only	09.00 -> 04.04	Post cat Cyl 4-6	250-24392
<b>528i</b>							
2.8	E39	142	M52B28		11.95 -> 09.98	Pre cat Cyl 1-3	250-24810
			M52B28		11.95 -> 09.98	Pre cat Cyl 4-6	250-24810
			M52B28		09.98 -> 09.00	Pre cat Cyl 1-3	250-24611
			M52B28		09.98 -> 09.00	Pre cat Cyl 4-6	250-24611
			M52B28		09.98 -> 09.00	Post cat Cyl 1-3	250-24392
			M52B28		09.98 -> 09.00	Post cat Cyl 4-6	250-24392
			M52B28	RH drive Only	09.98 -> 09.00	Pre cat Cyl 1-3	250-24589
			M52B28	RH drive Only	09.98 -> 09.00	Pre cat Cyl 4-6	250-24589
			M52B28	RH drive Only	09.98 -> 09.00	Post cat Cyl 1-3	250-24392
			M52B28	RH drive Only	09.98 -> 09.00	Post cat Cyl 4-6	250-24392
<b>528i Touring</b>							
2.8	E39	142	M52B28	Euro 3 (D3)	01.97 -> 09.98	Pre cat Cyl 1-3	250-24810
			M52B28	Euro 3 (D3)	01.97 -> 09.98	Pre cat Cyl 4-6	250-24810
			M52B28		09.98 -> 09.00	Pre cat Cyl 1-3	250-24611
			M52B28		09.98 -> 09.00	Pre cat Cyl 4-6	250-24611
			M52B28		09.98 -> 09.00	Post cat Cyl 1-3	250-24392
			M52B28		09.98 -> 09.00	Post cat Cyl 4-6	250-24392
			M52B28	RH drive Only	09.98 -> 09.00	Pre cat Cyl 1-3	250-24589
			M52B28	RH drive Only	09.98 -> 09.01	Pre cat Cyl 4-6	250-24589
			M52B28	RH drive Only	09.98 -> 09.00	Post cat Cyl 1-3	250-24392
			M52B28	RH drive Only	09.98 -> 09.00	Post cat Cyl 4-6	250-24392
<b>530i</b>							
3.0	E39	170	M54B30		09.00 -> 04.03	Pre cat Cyl 1-3	250-24611
			M54B30		09.00 -> 04.03	Pre cat Cyl 4-6	250-24611
			M54B30		09.00 -> 04.03	Post cat Cyl 1-3	250-24392
			M54B30		09.00 -> 04.03	Post cat Cyl 4-6	250-24392
			M54B30	RH drive Only	09.00 -> 04.03	Pre cat Cyl 1-3	250-24411
			M54B30	RH drive Only	09.00 -> 04.03	Pre cat Cyl 4-6	250-24411
			M54B30	RH drive Only	09.00 -> 04.03	Post cat Cyl 1-3	250-24392
			M54B30	RH drive Only	09.00 -> 04.03	Post cat Cyl 4-6	250-24392
<b>530i Touring</b>							
3.0	E39	170	M54B30		09.00 -> 04.04	Pre cat Cyl 1-3	250-24611
			M54B30		09.00 -> 04.04	Pre cat Cyl 4-6	250-24611
			M54B30		09.00 -> 04.04	Post cat Cyl 1-3	250-24392
			M54B30		09.00 -> 04.04	Post cat Cyl 4-6	250-24392
			M54B30	RH drive Only	09.00 -> 04.04	Pre cat Cyl 1-3	250-24411
			M54B30	RH drive Only	09.00 -> 04.04	Pre cat Cyl 4-6	250-24411
			M54B30	RH drive Only	09.00 -> 04.04	Post cat Cyl 1-3	250-24392
			M54B30	RH drive Only	09.00 -> 04.04	Post cat Cyl 4-6	250-24392
<b>535i</b>							
3.5	E39	173	M62B35		07.96 -> 03.99	Pre cat Cyl 1-4	250-24611
			M62B35		07.96 -> 03.99	Pre cat Cyl 5-8	250-24611
			M62B35		09.98 -> 03.99	Post cat Cyl 1-4	250-24125
			M62B35		09.98 -> 03.99	Post cat Cyl 5-8	250-24125
3.5	E39	180	M62B35		07.99 -> 04.03	Pre cat Cyl 1-4	250-24611
			M62B35		07.99 -> 04.03	Pre cat Cyl 5-8	250-24611
			M62B35		07.99 -> 04.03	Post cat Cyl 1-4	250-24125
			M62B35		07.99 -> 04.03	Post cat Cyl 5-8	250-24125



Model / Liter	Body Code	kW	Engine Code	Application Identifier Engine or Chassis	Year From→ To	Position	Walker Direct Fit
<b>BMW (cont'd)</b>							
<b>SERIES 5 ( E39 ) (cont'd)</b>							
<b>540i</b>							
4.4	E39	210	M62B44, M62448S2		07.96 -> 04.03	Pre cat Cyl 1-4	250-24611
			M62B44, M62448S2		07.96 -> 04.03	Pre cat Cyl 5-8	250-24611
			M62B44, M62448S2		09.98 -> 04.03	Post cat Cyl 1-4	250-24125
			M62B44, M62448S2		09.98 -> 04.03	Post cat Cyl 5-8	250-24125
<b>540i Touring</b>							
4.4	E39	210	M62B44, M62448S2		01.97 -> 04.04	Pre cat Cyl 1-4	250-24611
			M62B44, M62448S2		01.97 -> 04.04	Pre cat Cyl 5-8	250-24611
			M62B44, M62448S2		09.98 -> 04.04	Post cat Cyl 1-4	250-24125
			M62B44, M62448S2		09.98 -> 04.04	Post cat Cyl 5-8	250-24125
<b>M5</b>							
5.0	E39	294	S62B50		07.99 -> 06.03	Pre cat Cyl 1-4	250-24611
			S62B50		07.99 -> 06.03	Pre cat Cyl 5-8	250-24611
			S62B50		07.99 -> 06.03	Post cat Cyl 1-4	250-24125
			S62B50		07.99 -> 06.03	Post cat Cyl 5-8	250-24125
<b>SERIES 5 ( E60 )</b>							
<b>520d</b>							
2.0	E60	120	M47D20TU2		09.05 -> 12.06	Post cat	250-25042
			M47D2002		01.07 -> 08.07	Post cat	250-25042
<b>520i</b>							
2.2	E60	125	M54B22	Euro 4 (D4)	07.03 -> 03.05	Pre cat Cyl 1-3	250-24611
			M54B22	Euro 4 (D4)	07.03 -> 03.05	Pre cat Cyl 4-6	250-24611
			M54B22	Euro 4 (D4)	07.03 -> 03.05	Post cat Cyl 1-3	250-24392
			M54B22	Euro 4 (D4)	07.03 -> 03.05	Post cat Cyl 4-6	250-24392
			M54B22	RH drive Only; Euro 4 (D4)	07.03 -> 03.05	Pre cat Cyl 1-3	250-24411
			M54B22	RH drive Only; Euro 4 (D4)	07.03 -> 03.05	Pre cat Cyl 4-6	250-24411
			M54B22	RH drive Only; Euro 4 (D4)	07.03 -> 03.05	Post cat Cyl 1-3	250-24392
			M54B22	RH drive Only; Euro 4 (D4)	07.03 -> 03.05	Post cat Cyl 4-6	250-24392
<b>523i</b>							
2.5	E60	130	N52B25UL		07.05 -> 11.05	Pre cat Cyl 1-3	250-25042
			N52B25UL		07.05 -> 11.05	Pre cat Cyl 4-6	250-25042
			N52B25UL		07.05 -> 11.05	Post cat Cyl 1-3	250-24464
			N52B25UL		07.05 -> 11.05	Post cat Cyl 4-6	250-24465
			N52B25UL		11.05 -> 12.06	Pre cat Cyl 1-3	250-25018
			N52B25UL		11.05 -> 12.06	Pre cat Cyl 4-6	250-25046
			N52B25UL		11.05 -> 12.06	Post cat Cyl 1-3	250-24464
			N52B25UL		11.05 -> 12.06	Post cat Cyl 4-6	250-24465
2.5	E60	140	N52B25UL		01.07 ->	Pre cat Cyl 1-3	250-25018
			N52B25A		01.07 ->	Pre cat Cyl 4-6	250-25046
			N52B25A		01.07 ->	Post cat Cyl 1-3	250-24713
			N52B25A		01.07 ->	Post cat Cyl 4-6	250-24466
<b>525d</b>							
2.5	E60	130	M57D25TU		06.04 -> 12.06	Post cat	250-25042
2.5	E60	145	M57D30U2		01.07 ->	Post cat	250-25042
<b>525i</b>							
2.5	E60	141	M54B256S5		09.03 -> 02.05	Pre cat Cyl 1-3	250-24411
			M54B256S5		09.03 -> 02.05	Pre cat Cyl 4-6	250-24611
			M54B256S5		05.04 -> 02.05	Post cat Cyl 1-3	250-24392
			M54B256S5		05.04 -> 02.05	Post cat Cyl 4-6	250-24392
2.5	E60	160	N52B25 / B25A		07.05 -> 11.05	Pre cat Cyl 1-3	250-25042
			N52B25 / B25A		07.05 -> 11.05	Pre cat Cyl 4-6	250-25042
			N52B25 / B25A		07.05 -> 11.05	Post cat Cyl 1-3	250-24464
			N52B25 / B25A		07.05 -> 11.05	Post cat Cyl 4-6	250-24465
			N52B25 / B25A		11.05 -> 12.06	Pre cat Cyl 1-3	250-25018
			N52B25 / B25A		11.05 -> 12.06	Pre cat Cyl 4-6	250-25046
			N52B25 / B25A		11.05 -> 12.06	Post cat Cyl 1-3	250-24464
			N52B25 / B25A		11.05 -> 12.06	Post cat Cyl 4-6	250-24465
			N52B25 / B25A		01.07 ->	Pre cat Cyl 1-3	250-25018
			N52B25 / B25A		01.07 ->	Pre cat Cyl 4-6	250-25046
			N52B25 / B25A		01.07 ->	Post cat Cyl 1-3	250-24713
			N52B25 / B25A		01.07 ->	Post cat Cyl 4-6	250-24466
<b>525xd</b>							
2.5	E60	145	M57D30U2		09.07 ->	Post cat	250-25042
<b>525xi</b>							
2.5	E60	160	N52B25 / B25A		07.05 -> 11.05	Pre cat Cyl 1-3	250-25042
			N52B25 / B25A		07.05 -> 11.05	Pre cat Cyl 4-6	250-25042
			N52B25 / B25A		07.05 -> 11.05	Post cat Cyl 1-3	250-24464
			N52B25 / B25A		07.05 -> 11.05	Post cat Cyl 4-6	250-24465





Model / Liter	Body Code	Engine kW	Engine Code	Application Identifier Engine or Chassis	Year From→To	Position	Walker Direct Fit
<b>BMW (cont'd)</b>							
<b>SERIES 5 ( E60 ) (cont'd)</b>							
<b>525xi (cont'd)</b>							
2.5	E60	160	N52B25		11.05 -> 12.06	Pre cat Cyl 1-3	250-25018
			N52B25		11.05 -> 12.06	Pre cat Cyl 4-6	250-25046
			N52B25		11.05 -> 12.06	Post cat Cyl 1-3	250-24464
			N52B25		11.05 -> 12.06	Post cat Cyl 4-6	250-24465
			N52B25		01.07 ->	Pre cat Cyl 1-3	250-25018
			N52B25		01.07 ->	Pre cat Cyl 4-6	250-25046
			N53B30		01.07 ->	Post cat Cyl 1-3	250-24713
			N53B30		01.07 ->	Post cat Cyl 4-6	250-24466
<b>530d</b>							
3.0	E60	160	M57D30TU		07.03 -> 09.05	Post cat	250-25042
3.0	E60	170	M57D30TU2		09.05 -> 12.06	Post cat	250-25042
3.0	E60	173	M57D30O2		01.07 ->	Post cat	250-25042
<b>530i</b>							
3.0	E60	170	M54B30231		07.03 -> 02.05	Pre cat Cyl 1-3	250-24611
			M54B30231		07.03 -> 02.05	Pre cat Cyl 4-6	250-24611
			M54B30231		07.03 -> 02.05	Post cat Cyl 1-3	250-24392
			M54B30231		07.03 -> 02.05	Post cat Cyl 4-6	250-24392
			M54B30231	RH drive Only	07.03 -> 02.05	Pre cat Cyl 1-3	250-24411
			M54B30231	RH drive Only	07.03 -> 02.05	Pre cat Cyl 4-6	250-24411
			M54B30231	RH drive Only	07.03 -> 02.05	Post cat Cyl 1-3	250-24392
			M54B30231	RH drive Only	07.03 -> 02.05	Post cat Cyl 4-6	250-24392
3.0	E60	190	N52B30		07.05 -> 11.05	Pre cat Cyl 1-3	250-25042
			N52B30		07.05 -> 11.05	Pre cat Cyl 4-6	250-25042
			N52B30		07.05 -> 11.05	Post cat Cyl 1-3	250-24464
			N52B30		07.05 -> 11.05	Post cat Cyl 4-6	250-24465
			N52B30		11.05 -> 12.06	Pre cat Cyl 1-3	250-25018
			N52B30		11.05 -> 12.06	Pre cat Cyl 4-6	250-25046
			N52B30		11.05 -> 12.06	Post cat Cyl 1-3	250-24464
			N52B30		11.05 -> 12.06	Post cat Cyl 4-6	250-24465
3.0	E60	200	N52B30		01.07 ->	Pre cat Cyl 1-3	250-25018
			N52B30		01.07 ->	Pre cat Cyl 4-6	250-25046
			N52B30		01.07 ->	Post cat Cyl 1-3	250-24713
			N52B30		01.07 ->	Post cat Cyl 4-6	250-24466
<b>530xd</b>							
3.0	E60	170	M57D30TU2		09.05 -> 12.06	Post cat	250-25042
3.0	E60	173	M57D30O2		01.07 ->	Post cat	250-25042
<b>530xi</b>							
3.0	E60	190	N52B30		07.05 -> 11.05	Pre cat Cyl 1-3	250-25042
			N52B30		07.05 -> 11.05	Pre cat Cyl 4-6	250-25042
			N52B30		07.05 -> 11.05	Post cat Cyl 1-3	250-24464
			N52B30		07.05 -> 11.05	Post cat Cyl 4-6	250-24465
			N52B30		11.05 -> 12.06	Pre cat Cyl 1-3	250-25018
			N52B30		11.05 -> 12.06	Pre cat Cyl 4-6	250-25046
			N52B30		11.05 -> 12.06	Post cat Cyl 1-3	250-24464
			N52B30		11.05 -> 12.06	Post cat Cyl 4-6	250-24465
3.0	E60	200	N52B30		01.07 ->	Pre cat Cyl 1-3	250-25018
			N52B30		01.07 ->	Pre cat Cyl 4-6	250-25046
			N52B30		01.07 ->	Post cat Cyl 1-3	250-24713
			N52B30		01.07 ->	Post cat Cyl 4-6	250-24466
<b>540i</b>							
4.0	E60	225	N62B40TU	A/T	09.05 -> 12.06	Pre cat Cyl 1-4	250-25044
			N62B40TU	A/T	09.05 -> 12.06	Pre cat Cyl 5-8	250-25044
			N62B40TU	A/T	09.05 -> 12.06	Post cat Cyl 1-4	250-24464
			N62B40TU	A/T	09.05 -> 12.06	Post cat Cyl 5-8	250-24713
			N62B40TU	M/T	09.05 -> 12.06	Pre cat Cyl 1-4	250-25046
			N62B40TU	M/T	09.05 -> 12.06	Pre cat Cyl 5-8	250-25043
			N62B40TU	M/T	09.05 -> 12.06	Post cat Cyl 1-4	250-24464
			N62B40TU	M/T	09.05 -> 12.06	Post cat Cyl 5-8	250-24713
<b>545i</b>							
4.4	E60	245	N62B44	A/T	09.03 -> 09.05	Pre cat Cyl 1-4	250-25003
			N62B44	A/T	09.03 -> 09.05	Pre cat Cyl 5-8	250-25003
			N62B44	A/T	09.03 -> 09.05	Post cat Cyl 1-4	250-24638
			N62B44	A/T	09.03 -> 09.05	Post cat Cyl 5-8	250-24638
			N62B44	M/T	09.03 -> 09.05	Pre cat Cyl 1-4	250-25004
			N62B44	M/T	09.03 -> 09.05	Pre cat Cyl 5-8	250-25002
			N62B44	M/T	09.03 -> 09.05	Post cat Cyl 1-4	250-24638
			N62B44	M/T	09.03 -> 09.05	Post cat Cyl 5-8	250-24638



Model / Liter	Body Code	Engine kW	Engine Code	Application Identifier Engine or Chassis	Year From→ To	Position	Walker Direct Fit
<b>BMW (cont'd)</b>							
<b>SERIES 5 ( E60 ) (cont'd)</b>							
<b>550i</b>							
4.8	E60	270	N62B48TU	A/T	09.05 -> 12.06	Pre cat Cyl 1-4	250-25044
			N62B48TU	A/T	09.05 -> 12.06	Pre cat Cyl 5-8	250-25044
			N62B48TU	A/T	09.05 -> 12.06	Post cat Cyl 1-4	250-24464
			N62B48TU	A/T	09.05 -> 12.06	Post cat Cyl 5-8	250-24713
			N62B48TU	M/T	09.05 -> 12.06	Pre cat Cyl 1-4	250-25046
			N62B48TU	M/T	09.05 -> 12.06	Pre cat Cyl 5-8	250-25043
			N62B48TU	M/T	09.05 -> 12.06	Post cat Cyl 1-4	250-24464
			N62B48TU	M/T	09.05 -> 12.06	Post cat Cyl 5-8	250-24713
<b>M5</b>							
5.0	E60	373	S85B50		12.04 ->	Pre cat Cyl 1-4	250-25044
			S85B50		12.04 ->	Pre cat Cyl 5-8	250-25044
			S85B50		12.04 ->	Post cat Cyl 1-4	250-24638
			S85B50		12.04 ->	Post cat Cyl 5-8	250-24638
<b>SERIES 6 ( E63 )</b>							
<b>630i</b>							
3.0	E63	190	N52B30		09.04 -> 11.05	Pre cat Cyl 1-3	250-25042
			N52B30		09.04 -> 11.05	Pre cat Cyl 4-6	250-25042
			N52B30		09.04 -> 11.05	Post cat Cyl 1-3	250-24713
			N52B30		09.04 -> 11.05	Post cat Cyl 4-6	250-24466
			N52B30		11.05 -> 08.07	Pre cat Cyl 1-3	250-25018
			N52B30		11.05 -> 08.07	Pre cat Cyl 4-6	250-25046
			N52B30		11.05 -> 08.07	Post cat Cyl 1-3	250-24713
			N52B30		11.05 -> 08.07	Post cat Cyl 4-6	250-24466
3.0	E63	200	N52B30		09.07 ->	Pre cat Cyl 1-3	250-25018
			N52B30		09.07 ->	Pre cat Cyl 4-6	250-25046
			N52B30		09.07 ->	Post cat Cyl 1-3	250-24713
			N52B30		09.07 ->	Post cat Cyl 4-6	250-24466
<b>645Ci</b>							
4.4	E63	245	N62B44A, N62B44;	A/T	01.04 -> 08.07	Pre cat Cyl 1-4	250-25003
			N62B44A, N62B44;	A/T	01.04 -> 08.07	Pre cat Cyl 5-8	250-25003
			N62B44A, N62B44;	A/T	01.04 -> 08.07	Post cat Cyl 1-4	250-24638
			N62B44A, N62B44;	A/T	01.04 -> 08.07	Post cat Cyl 5-8	250-24638
			N62B44A, N62B44;	M/T	01.04 -> 08.07	Pre cat Cyl 1-4	250-25004
			N62B44A, N62B44;	M/T	01.04 -> 08.07	Pre cat Cyl 5-8	250-25002
			N62B44A, N62B44;	M/T	01.04 -> 08.07	Post cat Cyl 1-4	250-24638
			N62B44A, N62B44;	M/T	01.04 -> 08.07	Post cat Cyl 5-8	250-24638
<b>650i</b>							
4.8	E63	270	N62B48TU	A/T	07.05 -> 08.07	Pre cat Cyl 1-4	250-25044
			N62B48TU	A/T	07.05 -> 08.07	Pre cat Cyl 5-8	250-25044
			N62B48TU	A/T	07.05 -> 08.07	Post cat Cyl 1-4	250-24464
			N62B48TU	A/T	07.05 -> 08.07	Post cat Cyl 5-8	250-24713
			N62B48TU	M/T	07.05 -> 08.07	Pre cat Cyl 1-4	250-25046
			N62B48TU	M/T	07.05 -> 08.07	Pre cat Cyl 5-8	250-25043
			N62B48TU	M/T	07.05 -> 08.07	Post cat Cyl 1-4	250-24464
			N62B48TU	M/T	07.05 -> 08.07	Post cat Cyl 5-8	250-24713
<b>M6</b>							
5.0	E63	373	S85B50		09.05 ->	Pre cat Cyl 1-4	250-25044
			S85B50		09.05 ->	Pre cat Cyl 5-8	250-25044
			S85B50		09.05 ->	Post cat Cyl 1-4	250-24638
			S85B50		09.05 ->	Post cat Cyl 5-8	250-24638
<b>SERIES 6 ( E64 )</b>							
<b>630i Cabriolet</b>							
3.0	E64	190	N52B30		09.04 -> 11.05	Pre cat Cyl 1-3	250-25042
			N52B30		09.04 -> 11.05	Pre cat Cyl 4-6	250-25042
			N52B30		09.04 -> 11.05	Post cat Cyl 1-3	250-24713
			N52B30		09.04 -> 11.05	Post cat Cyl 4-6	250-24466
			N52B30		11.05 -> 08.07	Pre cat Cyl 1-3	250-25018
			N52B30		11.05 -> 08.07	Pre cat Cyl 4-6	250-25046
			N52B30		11.05 -> 08.07	Post cat Cyl 1-3	250-24713
			N52B30		11.05 -> 08.07	Post cat Cyl 4-6	250-24466
3.0	E64	200	N52B30		09.07 ->	Pre cat Cyl 1-3	250-25018
			N52B30		09.07 ->	Pre cat Cyl 4-6	250-25046
			N52B30		09.07 ->	Post cat Cyl 1-3	250-24466
			N52B30		09.07 ->	Post cat Cyl 4-6	250-24713



Model / Liter	Body Code	Engine kW	Engine Code	Application Identifier Engine or Chassis	Year From→ To	Position	Walker Direct Fit
<b>BMW (cont'd)</b>							
<b>SERIES 6 ( E64 ) (cont'd)</b>							
<b>645Ci Cabriolet</b>							
4.4	E64	245	N62B44	A/T	04.04 -> 08.07	Pre cat Cyl 1-4	250-25003
			N62B44	A/T	04.04 -> 08.07	Pre cat Cyl 5-8	250-25003
			N62B44	A/T	04.04 -> 08.07	Post cat Cyl 1-4	250-24638
			N62B44	A/T	04.04 -> 08.07	Post cat Cyl 5-8	250-24638
			N62B44	M/T	04.04 -> 08.07	Pre cat Cyl 1-4	250-25004
			N62B44	M/T	04.04 -> 08.07	Pre cat Cyl 5-8	250-25002
			N62B44	M/T	04.04 -> 08.07	Post cat Cyl 1-4	250-24638
			N62B44	M/T	04.04 -> 08.07	Post cat Cyl 5-8	250-24638
<b>650i Cabriolet</b>							
4.8	E64	270	N62B48TU	A/T	07.05 -> 08.07	Pre cat Cyl 1-4	250-25044
			N62B48TU	A/T	07.05 -> 08.07	Pre cat Cyl 5-8	250-25044
			N62B48TU	A/T	07.05 -> 08.07	Post cat Cyl 1-4	250-24464
			N62B48TU	A/T	07.05 -> 08.07	Post cat Cyl 5-8	250-24713
			N62B48TU	M/T	07.05 -> 08.07	Pre cat Cyl 1-4	250-25046
			N62B48TU	M/T	07.05 -> 08.07	Pre cat Cyl 5-8	250-25043
			N62B48TU	M/T	07.05 -> 08.07	Post cat Cyl 1-4	250-24464
			N62B48TU	M/T	07.05 -> 08.07	Post cat Cyl 5-8	250-24713
<b>M6 Cabriolet</b>							
5.0	E64	373	S85B50	M/T	09.06 ->	Pre cat Cyl 1-4	250-25044
			S85B50	M/T	09.06 ->	Pre cat Cyl 5-8	250-25044
			S85B50	M/T	09.06 ->	Post cat Cyl 1-4	250-24638
			S85B50	M/T	09.06 ->	Post cat Cyl 5-8	250-24638
<b>SERIES 7 ( E38 )</b>							
<b>728i, iL</b>							
2.8	E38	142	M52B28		08.95 -> 09.98	Pre cat Left	250-24810
			M52B28		08.95 -> 09.98	Pre cat Right	250-24810
			M52B28		09.98 -> 08.01	Pre cat Left	250-24611
			M52B28		09.98 -> 08.01	Pre cat Right	250-24611
			M52B28		09.98 -> 08.01	Post cat Left	250-24392
			M52B28		09.98 -> 08.01	Post cat Right	250-24392
			M52B28	RH drive Only	09.98 -> 08.01	Pre cat Left	250-24589
			M52B28	RH drive Only	09.98 -> 08.01	Pre cat Right	250-24589
			M52B28	RH drive Only	09.98 -> 08.01	Post cat Left	250-24392
			M52B28	RH drive Only	09.98 -> 08.01	Post cat Right	250-24392
<b>735i, iL</b>							
3.5	E38	173	M62B (358S1)		04.96 -> 09.98	Pre cat Cyl 1-4	250-24611
			M62B (358S1)		04.96 -> 09.98	Pre cat Cyl 5-8	250-24611
			M62B (358S1)		09.98 -> 08.01	Post cat Cyl 1-4	250-24125
			M62B (358S1)		09.98 -> 08.01	Post cat Cyl 5-8	250-24125
<b>740i, iL</b>							
4.4	E38	210	M62B44, M62448S2		04.96 -> 08.01	Pre cat Cyl 1-4	250-24611
			M62B44, M62448S2		04.96 -> 08.01	Pre cat Cyl 5-8	250-24611
			M62B44, M62448S2		09.98 -> 08.01	Post cat Cyl 1-4	250-24125
			M62B44, M62448S2		09.98 -> 08.01	Post cat Cyl 5-8	250-24125
<b>SERIES 7 ( E65, E66 )</b>							
<b>730i,Li</b>							
3.0	E65, E66	170	M54B30		09.03 -> 02.05	Pre cat Cyl 1-3	250-24611
			M54B30		09.03 -> 02.05	Pre cat Cyl 4-6	250-24611
			M54B30		09.03 -> 02.05	Post cat Cyl 1-3	250-24392
			M54B30		09.03 -> 02.05	Post cat Cyl 4-6	250-24392
			M54B30	RH drive Only	09.03 -> 02.05	Pre cat Cyl 1-3	250-24411
			M54B30	RH drive Only	09.03 -> 02.05	Pre cat Cyl 4-6	250-24411
			M54B30	RH drive Only	09.03 -> 02.05	Post cat Cyl 1-3	250-24392
			M54B30	RH drive Only	09.03 -> 02.05	Post cat Cyl 4-6	250-24392
3.0	E65, E66	190	N52B30		03.05 -> 11.05	Pre cat Cyl 1-3	250-25042
			N52B30		03.05 -> 11.05	Pre cat Cyl 4-6	250-25042
			N52B30		03.05 -> 11.05	Post cat Cyl 1-3	250-24464
			N52B30		03.05 -> 11.05	Post cat Cyl 4-6	250-24465
			N52B30		11.05 ->	Pre cat Cyl 1-3	250-25018
			N52B30		11.05 ->	Pre cat Cyl 4-6	250-25046
			N52B30		11.05 ->	Post cat Cyl 1-3	250-24464
			N52B30		11.05 ->	Post cat Cyl 4-6	250-24465
<b>730Ld</b>							
3.0	E65, E66	170	M57D30TU2		07.05 ->	Post cat	250-25042



Model / Liter	Body Code	kW	Engine Code	Application Identifier Engine or Chassis	Year From→ To	Position	Walker Direct Fit
<b>BMW (cont'd)</b>							
<b>SERIES 7 ( E65, E66 ) (cont'd)</b>							
<b>735i, Li</b>							
3.6	E65, E66	200	N62B36		11.01 -> 02.05	Pre cat Cyl 1-4	250-25003
			N62B36		11.01 -> 02.05	Pre cat Cyl 5-8	250-25003
			N62B36		11.01 -> 02.05	Post cat Cyl 1-4	250-24638
			N62B36		11.01 -> 02.05	Post cat Cyl 5-8	250-24638
<b>740i, Li</b>							
4.0	E65, E66	225	N62B40TU		07.05 ->	Pre cat Cyl 1-4	250-25044
			N62B40TU		07.05 ->	Pre cat Cyl 5-8	250-25044
			N62B40TU		07.05 ->	Post cat Cyl 1-4	250-24464
			N62B40TU		07.05 ->	Post cat Cyl 5-8	250-24713
<b>745d</b>							
4.4	E65, E66	220	448D1		03.05 -> 08.05	Post cat	250-25043
<b>745i, Li</b>							
4.4	E65, E66	245	N62B44A, N 62 B 44		11.01 -> 02.05	Pre cat Cyl 1-4	250-25003
			N62B44A, N 62 B 44		11.01 -> 02.05	Pre cat Cyl 5-8	250-25003
			N62B44A, N 62 B 44		11.01 -> 02.05	Post cat Cyl 1-4	250-24638
			N62B44A, N 62 B 44		11.01 -> 02.05	Post cat Cyl 5-8	250-24638
<b>750i, Li</b>							
4.8	E65, E66	270	N62B48TU		07.05 ->	Pre cat Cyl 1-4	250-25044
			N62B48TU		07.05 ->	Pre cat Cyl 5-8	250-25044
			N62B48TU		07.05 ->	Post cat Cyl 1-4	250-24464
			N62B48TU		07.05 ->	Post cat Cyl 5-8	250-24713
<b>760i, Li</b>							
6.0	E65, E66	327	N73B60		03.05 -> 09.06	Pre cat Cyl 1-6	250-25003
			N73B60		02.03 -> 09.06	Pre cat Cyl 7-12	250-25003
			N73B60		02.03 -> 09.06	Post cat Cyl 1-6	250-24638
			N73B60		02.03 -> 09.06	Post cat Cyl 7-12	250-24638
			N73B60	RH drive Only	02.03 -> 09.06	Pre cat Cyl 1-6	250-25002
			N73B60	RH drive Only	02.03 -> 09.06	Pre cat Cyl 7-12	250-25003
			N73B60	RH drive Only	02.03 -> 09.06	Post cat Cyl 1-6	250-24638
			N73B60	RH drive Only	02.03 -> 09.06	Post cat Cyl 7-12	250-24638
6.0	E65, E66	327	N73B60A		09.06 ->	Pre cat Cyl 1-6	250-25044
			N73B60A		09.06 ->	Pre cat Cyl 7-12	250-25044
			N73B60A		09.06 ->	Post cat Cyl 1-6	250-24464
			N73B60A		09.06 ->	Post cat Cyl 7-12	250-24464
<b>SERIES 8 ( E31 )</b>							
<b>840Ci</b>							
4.4	E31	210	M62B44		03.96 -> 12.99	Cyl 1-4	250-24611
			M62B44		03.96 -> 12.99	Cyl 5-8	250-24611
<b>840i</b>							
4.0	E31	210	M60B40		04.94 -> 02.96	Cyl 1-4	250-24380
			M60B40		04.94 -> 02.96	Cyl 5-8	250-24380
<b>850Ci</b>							
5.4	E31	240	M73B54		09.94 -> 12.99	Pre cat Cyl 1-6	250-24611
			M73B54		09.94 -> 12.99	Pre cat Cyl 7-12	250-24611
			M73B54		09.94 -> 12.99	Post cat Cyl 1-6	250-24125
			M73B54		09.94 -> 12.99	Post cat Cyl 7-12	250-24125
<b>850CSi</b>							
5.6	E31	280	S70B56		04.93 -> 07.96	Cyl 1-6	250-24024
			S70B56		04.93 -> 07.96	Cyl 7-12	250-24024
<b>ALPINA B7</b>							
4.4			N62B44		01.07 -> 12.07	Pre cat Cyl 1-4	250-25003
			N62B44		01.07 -> 12.07	Pre cat Cyl 5-8	250-25003
			N62B44		01.07 -> 12.07	Post cat Cyl 1-4	250-24638
			N62B44		01.07 -> 12.07	Post cat Cyl 5-8	250-24638
<b>ALPINA ROADSTER</b>							
4.8					01.03 -> 12.03	Pre cat Cyl 1-4	250-24611
					01.03 -> 12.03	Pre cat Cyl 5-8	250-24611
					01.03 -> 12.03	Post cat Cyl 1-4	250-24125
					01.03 -> 12.03	Post cat Cyl 5-8	250-24125
<b>M3</b>							
4.0			S65B40A		01.08 -> 12.08	Pre cat Cyl 1-4	250-25042
			S65B40A		01.08 -> 12.08	Pre cat Cyl 5-8	250-25042
			S65B40A		01.08 -> 12.08	Post cat Cyl 1-4	250-24464
			S65B40A		01.08 -> 12.08	Post cat Cyl 5-8	250-24464





Model / Liter	Body Code	Engine kW	Engine Code	Application Identifier Engine or Chassis	Year From→ To	Position	Walker Direct Fit
<b>BMW (cont'd)</b>							
<b>X3 ( E83 )</b>							
2.0i	E83	110	N46B20B N46B20OL		08.06 -> 09.05 -> 07.06		250-25002 250-25002
2.5i	E83	141	M54256S5		03.04 -> 07.06	Pre cat Cyl 1-3	250-24611
			M54256S5		03.04 -> 07.06	Pre cat Cyl 4-6	250-24611
			M54256S5		03.04 -> 07.06	Post cat Cyl 1-3	250-24392
2.5 si	E83	160	M54256S5		03.04 -> 07.06	Post cat Cyl 4-6	250-24392
			N52B25A		09.06 ->	Pre cat Cyl 1-3	250-25018
			N52B25A		09.06 ->	Pre cat Cyl 4-6	250-25046
			N52B25A		09.06 ->	Post cat Cyl 1-3	250-24713
			N52B25A		09.06 ->	Post cat Cyl 4-6	250-24465
3.0d	E83	150	M57D30-204		01.04 -> 09.05	Post cat	250-25043
3.0d	E83	160	M57D30TU		09.05 -> 07.06	Post cat	250-25042
			M57D30TU		08.06 ->	Post cat	250-25043
3.0i	E83	170	M57D30TU	RH drive Only	09.05 ->	Post cat	250-25042
			M54306S3		01.04 ->	Pre cat Cyl 1-3	250-24611
			M54306S3		01.04 ->	Pre cat Cyl 4-6	250-24611
			M54306S3		01.04 ->	Post cat Cyl 1-3	250-24392
3.0 si	E83	200	M54306S3		01.04 ->	Post cat Cyl 4-6	250-24392
			N52B30A		09.06 ->	Pre cat Cyl 1-3	250-25018
			N52B30A		09.06 ->	Pre cat Cyl 4-6	250-25046
			N52B30A		09.06 ->	Post cat Cyl 1-3	250-24713
			N52B30A		09.06 ->	Post cat Cyl 4-6	250-24465
<b>X5 ( E53 )</b>							
3.0d	E53	160	M57N306D4		12.03 -> 11.06	Post cat	250-25042
3.0i	E53	163	M54306S3		05.00 ->	Pre cat	250-24611
			M54306S3		05.00 ->	Post cat	250-24392
3.0i	E53	170	M54B30		05.00 -> 11.06	Pre cat Cyl 1-3	250-24611
			M54B30		05.00 -> 11.06	Pre cat Cyl 4-6	250-24611
			M54B30		05.00 -> 11.06	Post cat Cyl 1-3	250-24392
			M54B30		05.00 -> 11.06	Post cat Cyl 4-6	250-24392
4.4i	E53	210	M62B44		05.00 -> 08.03	Pre cat Cyl 1-4	250-24611
			M62B44		05.00 -> 08.03	Pre cat Cyl 5-8	250-24611
			M62B44		05.00 -> 08.03	Post cat Cyl 1-4	250-24390
4.4i	E53	235	M62B44		05.00 -> 08.03	Post cat Cyl 5-8	250-24390
			N62B44A		12.03 -> 11.06	Pre cat Cyl 1-4	250-25002
			N62B44A		12.03 -> 11.06	Pre cat Cyl 5-8	250-25003
			N62B44A		12.03 -> 11.06	Post cat Cyl 1-4	250-24638
			N62B44A		12.03 -> 11.06	Post cat Cyl 5-8	250-24657
4.6is	E53	255	M67468S1		02.02 ->	Pre cat Cyl 1-4	250-24611
			M67468S1		02.02 ->	Pre cat Cyl 5-8	250-24611
			M67468S1		02.02 ->	Post cat Cyl 1-4	250-24390
4.8is	E53	265	M67468S1		02.02 ->	Post cat Cyl 5-8	250-24390
			N62B48A		04.04 -> 11.06	Pre cat Cyl 1-4	250-25002
			N62B48A		04.04 -> 11.06	Pre cat Cyl 5-8	250-25003
			N62B48A		04.04 -> 11.06	Post cat Cyl 1-4	250-24638
			N62B48A		04.04 -> 11.06	Post cat Cyl 5-8	250-24657
<b>X5 ( E70 )</b>							
3.0d	E70	173	M57D30O2		02.07 ->	Post cat	250-25042
3.0 si	E70	200	N52B30A		02.07 ->	Pre cat Cyl 1-3	250-25018
			N52B30A		02.07 ->	Pre cat Cyl 4-6	250-25047
			N52B30A		02.07 ->	Post cat Cyl 1-3	250-24713
			N52B30A		02.07 ->	Post cat Cyl 4-6	250-24465
4.8i	E70	261	N62B48O1		02.07 ->	Pre cat Cyl 1-4	250-25044
			N62B48O1		02.07 ->	Pre cat Cyl 5-8	250-25046
			N62B48O1		02.07 ->	Post cat Cyl 1-4	250-24464
			N62B48O1		02.07 ->	Post cat Cyl 5-8	250-24464
<b>X6</b>							
3.0			N54B30A	xDrive35i Model	01.08 -> 12.08	Pre cat Cyl 1-3	250-25048
			N54B30A	xDrive35i Model	01.08 -> 12.08	Pre cat Cyl 4-6	250-25047
			N54B30A	xDrive35i Model	01.08 -> 12.08	Post cat Cyl 1-3	250-24713
			N54B30A	xDrive35i Model	01.08 -> 12.08	Post cat Cyl 4-6	250-24466
<b>Z3</b>							
1.8		85	M43B18		01.96 -> 08.98	Pre cat	250-24380
1.9		85	M43B19	Euro 3 (D3)	06.99 -> 01.03	Pre cat	250-24611
			M43B19	Euro 3 (D3)	06.99 -> 01.03	Post cat	250-24125
1.9		87	M43B19		09.98 -> 01.03	Pre cat	250-24611
			M43B19		09.98 -> 01.03	Post cat	250-24125
1.9		103	M44B19		01.96 -> 03.99	Pre cat	250-24611



Model / Liter	Body Code	kW	Engine Code	Application Identifier Engine or Chassis	Year From→ To	Position	Walker Direct Fit
<b>BMW (cont'd)</b>							
<b>Z3 (cont'd)</b>							
2.0		110	M52B20	Euro 3 (D3)	04.99 -> 01.03	Pre cat Cyl 1-3	250-24611
			M52B20	Euro 3 (D3)	04.99 -> 01.03	Pre cat Cyl 4-6	250-24611
			M52B20	Euro 3 (D3)	04.99 -> 01.03	Post cat Cyl 1-3	250-24392
			M52B20	Euro 3 (D3)	04.99 -> 01.03	Post cat Cyl 4-6	250-24392
			M52B20	RH drive Only; Euro 3 (D3)	06.99 -> 12.00	Pre cat Cyl 1-3	250-24589
			M52B20	RH drive Only; Euro 3 (D3)	06.99 -> 12.00	Pre cat Cyl 4-6	250-24589
			M52B20	RH drive Only; Euro 3 (D3)	06.99 -> 12.00	Post cat Cyl 1-3	250-24390
			M52B20	RH drive Only; Euro 3 (D3)	06.99 -> 12.00	Post cat Cyl 4-6	250-24125
2.2		125	M54B22		08.00 -> 01.03	Pre cat Cyl 1-3	250-24611
			M54B22		08.00 -> 01.03	Pre cat Cyl 4-6	250-24611
			M54B22		08.00 -> 01.03	Post cat Cyl 1-3	250-24392
			M54B22		08.00 -> 01.03	Post cat Cyl 4-6	250-24392
			M54B22	RH drive Only	08.00 -> 01.03	Pre cat Cyl 1-3	250-24411
			M54B22	RH drive Only	08.00 -> 01.03	Pre cat Cyl 4-6	250-24589
			M54B22	RH drive Only	08.00 -> 01.03	Post cat Cyl 1-3	250-24392
			M54B22	RH drive Only	08.00 -> 01.03	Post cat Cyl 4-6	250-24392
2.8		141	M52B28		04.97 -> 09.98	Pre cat	250-24516
			M52B28		09.98 -> 06.00	Pre cat Cyl 1-3	250-24611
			M52B28		09.98 -> 06.00	Pre cat Cyl 4-6	250-24611
			M52B28		09.98 -> 06.00	Post cat Cyl 1-3	250-24392
			M52B28		09.98 -> 06.00	Post cat Cyl 4-6	250-24392
			M52B28	RH drive Only	09.98 -> 06.00	Pre cat Cyl 1-3	250-24589
			M52B28	RH drive Only	09.98 -> 06.00	Pre cat Cyl 4-6	250-24589
			M52B28	RH drive Only	09.98 -> 06.00	Post cat Cyl 1-3	250-24390
			M52B28	RH drive Only	09.98 -> 06.00	Post cat Cyl 4-6	250-24125
3.0		170	M54B30		06.00 -> 01.03	Pre cat Cyl 1-3	250-24611
			M54B30		06.00 -> 01.03	Pre cat Cyl 4-6	250-24611
			M54B30		06.00 -> 01.03	Post cat Cyl 1-3	250-24392
			M54B30		06.00 -> 01.03	Post cat Cyl 4-6	250-24392
			M54B30	RH drive Only	06.00 -> 09.00	Pre cat Cyl 1-3	250-24589
			M54B30	RH drive Only	06.00 -> 09.00	Pre cat Cyl 4-6	250-24589
			M54B30	RH drive Only	06.00 -> 09.00	Post cat Cyl 1-3	250-24392
			M54B30	RH drive Only	06.00 -> 09.00	Post cat Cyl 4-6	250-24392
			M54B30	RH drive Only	09.00 -> 01.03	Pre cat Cyl 1-3	250-24411
			M54B30	RH drive Only	09.00 -> 01.03	Pre cat Cyl 4-6	250-24589
			M54B30	RH drive Only	09.00 -> 01.03	Post cat Cyl 1-3	250-24392
			M54B30	RH drive Only	09.00 -> 01.03	Post cat Cyl 4-6	250-24392
M 3.2		236	S50B32		03.97 -> 04.01	Pre cat Cyl 1-3	250-24143
			S50B32		03.97 -> 04.01	Pre cat Cyl 4-6	250-24445
			S50B32	RH drive Only	03.97 -> 04.01	Pre cat Cyl 1-3	250-24444
			S50B32	RH drive Only	03.97 -> 04.01	Pre cat Cyl 4-6	250-24478
M 3.2		239	S54B32 (326S4)		06.01 -> 01.03	Pre cat Cyl 1-3	250-24445
			S54B32 (326S4)		06.01 -> 01.03	Pre cat Cyl 4-6	250-24444
			S54B32 (326S4)		06.01 -> 01.03	Post cat Cyl 1-3	250-24143
			S54B32 (326S4)		06.01 -> 01.03	Post cat Cyl 4-6	250-24125
<b>Z3 Coupe</b>							
2.8		141	M52B28		07.98 -> 09.98		250-24516
2.8		141	M52B28		09.98 -> 06.00	Pre cat Cyl 1-3	250-24611
			M52B28		09.98 -> 06.00	Pre cat Cyl 4-6	250-24611
			M52B28		09.98 -> 06.00	Post cat Cyl 1-3	250-24392
			M52B28		09.98 -> 06.00	Post cat Cyl 4-6	250-24392
3.0		170	M54B30		06.00 -> 06.03	Pre cat Cyl 1-3	250-24611
			M54B30		06.00 -> 06.03	Pre cat Cyl 4-6	250-24611
			M54B30		06.00 -> 06.03	Post cat Cyl 1-3	250-24392
			M54B30		06.00 -> 06.03	Post cat Cyl 4-6	250-24392
M 3.2		236	S50B32		09.98 -> 04.01	Pre cat Cyl 1-3	250-24143
			S50B32		09.98 -> 04.01	Pre cat Cyl 4-6	250-24445
			S50B32	RH drive Only	10.98 -> 04.01	Pre cat Cyl 1-3	250-24444
			S50B32	RH drive Only	10.98 -> 04.01	Pre cat Cyl 4-6	250-24478
M 3.2		239	S54326S4		06.01 -> 06.03	Pre cat Cyl 1-3	250-24445
			S54326S4		06.01 -> 06.03	Pre cat Cyl 4-6	250-24444
			S54326S4		06.01 -> 06.03	Post cat Cyl 1-3	250-24143
			S54326S4		06.01 -> 06.03	Post cat Cyl 4-6	250-24125
<b>Z4 (E85)</b>							
2.0i	E85	110	N46B20A		04.05 ->		250-25002
2.2i	E85	125	M54B22	Euro 4 (D4)	03.04 -> 01.06	Pre cat Cyl 1-3	250-24611
			M54B22	Euro 4 (D4)	03.04 -> 01.06	Pre cat Cyl 4-6	250-24611
			M54B22	Euro 4 (D4)	03.04 -> 01.06	Post cat Cyl 1-3	250-24392
			M54B22	Euro 4 (D4)	03.04 -> 01.06	Post cat Cyl 4-6	250-24392



Model / Liter	Body Code	Engine kW	Engine Code	Application Identifier Engine or Chassis	Year From→To	Position	Walker Direct Fit
<b>BMW (cont'd)</b>							
<b>Z4 ( E85 ) (cont'd)</b>							
2.2i	E85	125	M54B22	RH drive Only; Euro 4 (D4)	03.04 -> 01.06	Pre cat Cyl 1-3	250-24411
			M54B22	RH drive Only; Euro 4 (D4)	03.04 -> 01.06	Pre cat Cyl 4-6	250-24589
			M54B22	RH drive Only; Euro 4 (D4)	03.04 -> 01.06	Post cat Cyl 1-3	250-24392
			M54B22	RH drive Only; Euro 4 (D4)	03.04 -> 01.06	Post cat Cyl 4-6	250-24392
2.5i	E85	130	N52B25B		02.06 ->	Pre cat Cyl 1-3	250-25018
			N52B25B		02.06 ->	Pre cat Cyl 4-6	250-25046
			N52B25B		02.06 ->	Post cat Cyl 1-3	250-24713
			N52B25B		02.06 ->	Post cat Cyl 4-6	250-24465
2.5i	E85	141	M54256S5		02.03 -> 01.06	Pre cat Cyl 1-3	250-24611
			M54256S5		02.03 -> 01.06	Pre cat Cyl 4-6	250-24611
			M54256S5		02.03 -> 01.06	Post cat Cyl 1-3	250-24392
			M54256S5		02.03 -> 01.06	Post cat Cyl 4-6	250-24392
			M54256S5	RH drive Only	02.03 -> 01.06	Pre cat Cyl 1-3	250-24411
			M54256S5	RH drive Only	02.03 -> 01.06	Pre cat Cyl 4-6	250-24589
			M54256S5	RH drive Only	02.03 -> 01.06	Post cat Cyl 1-3	250-24392
			M54256S5	RH drive Only	02.03 -> 01.06	Post cat Cyl 4-6	250-24392
2.5 si	E85	160	N52B25A		02.06 ->	Pre cat Cyl 1-3	250-25018
			N52B25A		02.06 ->	Pre cat Cyl 4-6	250-25046
			N52B25A		02.06 ->	Post cat Cyl 1-3	250-24713
			N52B25A		02.06 ->	Post cat Cyl 4-6	250-24465
3.0i	E85	170	M54306S3		02.03 ->	Pre cat Cyl 1-3	250-24611
			M54306S3		02.03 ->	Pre cat Cyl 4-6	250-24611
			M54306S3		02.03 ->	Post cat Cyl 1-3	250-24392
			M54306S3		02.03 ->	Post cat Cyl 4-6	250-24392
			M54306S3	RH drive Only	02.03 ->	Pre cat Cyl 1-3	250-24411
			M54306S3	RH drive Only	02.03 ->	Pre cat Cyl 4-6	250-24589
			M54306S3	RH drive Only	02.03 ->	Post cat Cyl 1-3	250-24392
			M54306S3	RH drive Only	02.03 ->	Post cat Cyl 4-6	250-24392
3.0 si	E85	195	N52B30A		02.06 ->	Pre cat Cyl 1-3	250-25018
			N52B30A		02.06 ->	Pre cat Cyl 4-6	250-25046
			N52B30A		02.06 ->	Post cat Cyl 1-3	250-24713
			N52B30A		02.06 ->	Post cat Cyl 4-6	250-24465
3.2 M	E85	252	S54B32		03.06 ->	Pre cat Cyl 1-3	250-25046
			S54B32		03.06 ->	Pre cat Cyl 4-6	250-25046
			S54B32		03.06 ->	Post cat Cyl 1-3	250-24143
			S54B32		03.06 ->	Post cat Cyl 4-6	250-24445
<b>Z4 Coupe</b>							
3.0 si		195	N52B30A		04.06 ->	Pre cat Cyl 1-3	250-25018
			N52B30A		04.06 ->	Post cat Cyl 4-6	250-24713
			N52B30A		04.06 ->	Pre cat Cyl 1-3	250-25046
			N52B30A		04.06 ->	Post cat Cyl 4-6	250-24465
3.2 M		252	S54B32		04.06 ->	Pre cat Cyl 1-3	250-25046
			S54B32		04.06 ->	Pre cat Cyl 4-6	250-25046
			S54B32		04.06 ->	Post cat Cyl 1-3	250-24143
			S54B32		04.06 ->	Post cat Cyl 4-6	250-24445
<b>Z8</b>							
4.9		294	S62B50		06.00 -> 06.03	Pre cat Cyl 1-3	250-24611
			S62B50		06.00 -> 06.03	Pre cat Cyl 4-6	250-24611
			S62B50		06.00 -> 06.03	Post cat Cyl 1-3	250-24125
			S62B50		06.00 -> 06.03	Post cat Cyl 4-6	250-24125
<b>BUICK</b>							
<b>ENCLAVE</b>							
3.6					01.08 -> 12.08	Pre cat Left	250-24470
					01.08 -> 12.08	Pre cat Right	250-24470
					01.08 -> 12.08	Post cat Left	250-24708
					01.08 -> 12.08	Post cat Right	250-24708
<b>RAINIER</b>							
4.2		205			01.04 -> 12.05	Pre cat	250-24654
					01.04 -> 12.05	Post cat	250-24339
					01.06 -> 12.06	Pre cat	250-24698
					01.06 -> 12.06	Post cat	250-24703
					01.07 -> 12.07	Pre cat	250-24698
					01.07 -> 12.07	Post cat	250-24708
5.3		224		1st Design Exhaust	01.06 -> 12.06	Pre cat Left	250-24704
				1st Design Exhaust	01.06 -> 12.06	Pre cat Right	250-24704
				1st Design Exhaust	01.06 -> 12.06	Post cat Left	250-24339
				1st Design Exhaust	01.06 -> 12.06	Post cat Right	250-24339



Model / Liter	Body Code	kW	Engine Code	Application Identifier Engine or Chassis	Year From→ To	Position	Walker Direct Fit
<b>BUICK</b>							
<b>RAINIER (cont'd)</b>							
5.3				2nd Design Exhaust	01.06 -> 12.06	Pre cat Left	250-24704
				2nd Design Exhaust	01.06 -> 12.06	Pre cat Right	250-24704
				2nd Design Exhaust	01.06 -> 12.06	Post cat Left	250-24649
				2nd Design Exhaust	01.06 -> 12.06	Post cat Right	250-24649
					01.07 -> 12.07	Pre cat Left	250-24704
					01.07 -> 12.07	Pre cat Right	250-24704
					01.07 -> 12.07	Post cat Left	250-24649
					01.07 -> 12.07	Post cat Right	250-24649
<b>RENDEZVOUS</b>							
3.6		157			01.06 -> 12.06	Pre cat	250-25002
					01.06 -> 12.06	Post cat	250-24649
<b>TERRAZA</b>							
3.9		179			01.06 -> 12.07	Pre cat	250-24470
					01.06 -> 12.07	Post cat	250-24267
				Flex Fuel Vehicle	01.07 -> 12.07	Pre cat	250-24470
				Flex Fuel Vehicle	01.07 -> 12.07	Post cat	250-24267
<b>CADILLAC</b>							
<b>CATERA</b>							
3.0	R				01.97 -> 12.98	Pre cat Left	250-24342
					01.97 -> 12.98	Pre cat Right	250-24342
					01.97 -> 12.98	Post cat Left	250-24374
					01.97 -> 12.98	Post cat Right	250-24374
					01.99 -> 12.01	Pre cat Left	250-25010
					01.99 -> 12.01	Pre cat Right	250-25010
					01.99 -> 12.01	Post cat Left	250-24332
					01.99 -> 12.01	Post cat Right	250-24332
<b>CONCOURS</b>							
4.6	9			2 Req'd	01.97 -> 12.97	Pre cat	250-24018
				2 Req'd	01.97 -> 12.97	Center	250-24087
				2 Req'd	01.97 -> 12.97	Post cat	250-24087
					01.98 -> 12.99	Pre cat Front	250-24018
					01.98 -> 12.99	Pre cat Rear	250-24018
					01.98 -> 12.99	Post cat	• 250-24087
<b>CTS</b>							
2.8	T			1st Design Exhaust	01.05 -> 12.05	Pre cat Left	250-25005
				1st Design Exhaust	01.05 -> 12.05	Pre cat Right	250-25005
				1st Design Exhaust	01.05 -> 12.05	Post cat Left	250-24773
				1st Design Exhaust	01.05 -> 12.05	Post cat Right	250-24773
				2nd Design Exhaust	01.05 -> 12.05	Pre cat Left	250-25038
				2nd Design Exhaust	01.05 -> 12.05	Pre cat Right	250-25038
				2nd Design Exhaust	01.05 -> 12.05	Post cat Left	250-24773
				2nd Design Exhaust	01.05 -> 12.05	Post cat Right	250-24773
					01.06 -> 12.07	Pre cat Left	250-25038
					01.06 -> 12.07	Pre cat Right	250-25038
					01.06 -> 12.07	Post cat Left	250-24773
					01.06 -> 12.07	Post cat Right	250-24773
3.2	N				01.06 -> 12.07	Pre cat Left	250-24648
					01.03 -> 12.03	Pre cat Right	250-24648
					01.03 -> 12.03	Post cat Left	250-24648
					01.03 -> 12.03	Post cat Right	250-24648
					01.04 -> 12.04	Pre cat Left	250-24648
					01.04 -> 12.04	Pre cat Right	250-24648
					01.04 -> 12.04	Post cat Left	250-24648
					01.04 -> 12.04	Post cat Right	250-24648
3.6	7				01.04 -> 12.05	Pre cat Left	250-25005
					01.04 -> 12.05	Pre cat Right	250-25005
					01.04 -> 12.05	Post cat Left	250-24649
					01.04 -> 12.05	Post cat Right	250-24649
					01.06 -> 12.07	Pre cat Left	250-25038
					01.06 -> 12.07	Pre cat Right	250-25038
					01.06 -> 12.07	Post cat Left	250-24773
					01.06 -> 12.07	Post cat Right	250-24773
3.6	V		LLT	A/T	01.08 -> 12.08	Pre cat Left	250-24355
			LLT	A/T	01.08 -> 12.08	Pre cat Right	250-24355
			LLT	A/T	01.08 -> 12.08	Post cat Left	250-24746
			LLT	A/T	01.08 -> 12.08	Post cat Right	250-24773





Model / Liter	Body Code	Engine kW	Engine Code	Application Identifier Engine or Chassis	Year From→To	Position	Walker Direct Fit	
<b>CADILLAC (cont'd)</b>								
<b>CTS (cont'd)</b>								
3.6	7		LLT	M/T	01.08 -> 12.08	Pre cat Left	250-24355	
			LLT	M/T	01.08 -> 12.08	Pre cat Right	250-24355	
			LLT	M/T	01.08 -> 12.08	Post cat Left	250-24773	
			LLT	M/T	01.08 -> 12.08	Post cat Right	250-24773	
			A/T	A/T	01.08 -> 12.08	Pre cat Left	250-25038	
			A/T	A/T	01.08 -> 12.08	Pre cat Right	250-25038	
			A/T	A/T	01.08 -> 12.08	Post cat Left	250-24746	
			A/T	A/T	01.08 -> 12.08	Post cat Right	250-24773	
			M/T	M/T	01.08 -> 12.08	Pre cat Left	250-25038	
			M/T	M/T	01.08 -> 12.08	Pre cat Right	250-25038	
5.7	S		M/T	M/T	01.08 -> 12.08	Post cat Left	250-24773	
			M/T	M/T	01.08 -> 12.08	Post cat Right	250-24773	
			V Model	V Model	01.04 -> 12.05	Pre cat Left	250-24470	
			V Model	V Model	01.04 -> 12.05	Pre cat Right	250-24470	
			V Model	V Model	01.04 -> 12.05	Post cat Left	250-24267	
6.0	U		V Model	V Model	01.04 -> 12.05	Post cat Right	250-24267	
			V Model	V Model	01.06 -> 12.06	Pre cat Left	250-24703	
			V Model	V Model	01.06 -> 12.06	Pre cat Right	250-24703	
			V Model	V Model	01.06 -> 12.06	Post cat Left	250-24355	
			V Model	V Model	01.06 -> 12.06	Post cat Right	250-24355	
			V Model	V Model	01.07 -> 12.07	Pre cat Left	250-24703	
			V Model	V Model	01.07 -> 12.07	Pre cat Right	250-24703	
			V Model	V Model	01.07 -> 12.07	Post cat Left	250-24267	
V Model	V Model	01.07 -> 12.07	Post cat Right	250-24267				
<b>DEVILLE</b>								
4.6	Y		2 Req'd	2 Req'd	01.97 -> 12.98	Pre cat	250-24018	
			2 Req'd	2 Req'd	01.98 -> 12.98	Center	250-24087	
			2 Req'd	2 Req'd	01.98 -> 12.98	Post cat	250-24087	
			2 Req'd	2 Req'd	01.99 -> 12.99	Pre cat Front	250-24018	
	9, Y			2 Req'd	2 Req'd	01.99 -> 12.99	Pre cat Rear	250-24018
				2 Req'd	2 Req'd	01.99 -> 12.99	Post cat	• 250-24087
				2 Req'd	2 Req'd	01.00 -> 12.04	Pre cat Front	250-24269
				2 Req'd	2 Req'd	01.00 -> 12.04	Pre cat Rear	250-24269
4.6			2 Req'd	2 Req'd	01.00 -> 12.04	Post cat	• 250-24267	
			2 Req'd	2 Req'd	01.05 -> 12.05	Pre cat Front	250-24470	
			2 Req'd	2 Req'd	01.05 -> 12.05	Pre cat Rear	250-24470	
			2 Req'd	2 Req'd	01.05 -> 12.05	Post cat	• 250-24267	
<b>DTS</b>								
4.6	9, Y				01.06 -> 12.08	Pre cat Front	250-24704	
					01.06 -> 12.08	Pre cat Rear	250-24704	
					01.06 -> 12.08	Post cat	• 250-24703	
<b>ELDORADO</b>								
4.6	9, Y				01.96 -> 12.97	Pre cat Front	250-24018	
					01.96 -> 12.97	Pre cat Rear	250-24018	
					01.96 -> 12.97	Center	• 250-24087	
					01.96 -> 12.97	Post cat	• 250-24087	
					01.98 -> 12.99	Pre cat Front	250-24018	
					01.98 -> 12.99	Pre cat Rear	250-24018	
					01.98 -> 12.99	Post cat	• 250-24087	
					01.00 -> 12.00	Pre cat Front	250-24269	
					01.00 -> 12.00	Pre cat Rear	250-24269	
					01.00 -> 12.00	Post cat	• 250-24267	
					01.00 -> 12.00	Post cat	• 250-24267	
<b>ESCALADE</b>								
5.3	T				01.03 -> 12.05	Pre cat Left	250-24470	
					01.03 -> 12.05	Pre cat Right	250-24470	
					01.03 -> 12.05	Post cat Left	250-24470	
5.7	R				01.03 -> 12.05	Post cat Right	250-24470	
					01.99 -> 12.00	Pre cat Left	250-24012	
					01.99 -> 12.00	Pre cat Right	250-24012	
					01.99 -> 12.00	Post cat Left	250-24018	
					01.99 -> 12.00	Post cat Right	250-24018	
					01.99 -> 12.00	Post cat	• 250-24087	
6.0	N				01.02 -> 12.02	Pre cat Left	250-24248	
					01.02 -> 12.02	Pre cat Right	250-24248	
					01.02 -> 12.02	Post cat Left	250-24018	
					01.02 -> 12.02	Post cat Right	250-24018	
					01.03 -> 12.06	Pre cat Left	250-24491	
					01.03 -> 12.06	Pre cat Right	250-24491	
					01.03 -> 12.06	Post cat Left	250-24267	
					01.03 -> 12.06	Post cat Right	250-24267	



Model / Liter	Body Code	Engine kW	Engine Code	Application Identifier Engine or Chassis	Year From→ To	Position	Walker Direct Fit
<b>CADILLAC (cont'd)</b>							
<b>ESCALADE</b>							
6.2	8		L92		01.07 -> 12.07	Pre cat Left	250-24703
			L92		01.07 -> 12.07	Pre cat Right	250-24703
			L92		01.07 -> 12.07	Post cat Left	250-24355
			L92		01.07 -> 12.07	Post cat Right	250-24355
			L92		01.08 -> 12.08	Pre cat Left	250-24470
			L92		01.08 -> 12.08	Pre cat Right	250-24470
			L92		01.08 -> 12.08	Post cat Left	250-24736
			L92		01.08 -> 12.08	Post cat Right	250-24736
<b>SEVILLE</b>							
4.6	9, Y				01.96 -> 12.98	Pre cat Front	250-24018
					01.96 -> 12.98	Pre cat Rear	250-24018
					01.96 -> 12.98	Center	• 250-24087
					01.96 -> 12.98	Post cat	• 250-24087
					01.99 -> 12.99	Pre cat Front	250-24018
					01.99 -> 12.99	Pre cat Rear	250-24018
					01.99 -> 12.99	Post cat	• 250-24087
					01.00 -> 12.03	Pre cat Front	250-24269
					01.00 -> 12.03	Pre cat Rear	250-24269
					01.00 -> 12.03	Post cat	• 250-24269
					01.04 -> 12.04	Pre cat Front	250-24470
					01.04 -> 12.04	Pre cat Rear	250-24470
					01.04 -> 12.04	Post cat	• 250-24267
<b>SRX</b>							
3.6	7				01.04 -> 12.04	Pre cat Front	250-25005
					01.04 -> 12.04	Pre cat Rear	250-25005
					01.04 -> 12.04	Post cat Front	250-24649
					01.04 -> 12.04	Post cat Rear	250-24649
					01.05 -> 12.05	Pre cat Front	250-25005
					01.05 -> 12.05	Pre cat Rear	250-25005
					01.05 -> 12.05	Post cat Front	250-24773
					01.06 -> 12.06	Pre cat Front	250-25038
					01.06 -> 12.06	Pre cat Rear	250-25038
					01.06 -> 12.06	Post cat Front	250-24773
					01.06 -> 12.06	Post cat Rear	250-24773
					01.07 -> 12.08	Pre cat Front	250-24355
					01.07 -> 12.08	Pre cat Rear	250-24355
					01.07 -> 12.08	Post cat Front	250-24773
					01.07 -> 12.08	Post cat Rear	250-24773
4.6	A				01.04 -> 12.04	Pre cat Front	250-25005
					01.04 -> 12.04	Pre cat Rear	250-25005
					01.04 -> 12.04	Post cat Front	250-24649
					01.04 -> 12.04	Post cat Rear	250-24649
					01.05 -> 12.06	Pre cat Front	250-25005
					01.05 -> 12.06	Pre cat Rear	250-25005
					01.05 -> 12.06	Post cat Front	250-24773
					01.05 -> 12.06	Post cat Rear	250-24773
					01.07 -> 12.08	Pre cat Front	250-24492
					01.07 -> 12.08	Pre cat Rear	250-24492
					01.07 -> 12.08	Post cat Front	250-24728
					01.07 -> 12.08	Post cat Rear	250-24722
<b>STS</b>							
3.6	7			1st Design Exhaust	01.05 -> 12.05	Pre cat Front	250-25005
				1st Design Exhaust	01.05 -> 12.05	Pre cat Rear	250-25005
				1st Design Exhaust	01.05 -> 12.05	Post cat Front	250-24773
				1st Design Exhaust	01.05 -> 12.05	Post cat Rear	250-24773
				2nd Design Exhaust	01.05 -> 12.05	Pre cat Front	250-25038
				2nd Design Exhaust	01.05 -> 12.05	Pre cat Rear	250-25038
				2nd Design Exhaust	01.05 -> 12.05	Post cat Front	250-24773
				2nd Design Exhaust	01.05 -> 12.05	Post cat Rear	250-24773
					01.06 -> 12.07	Pre cat Front	250-25038
					01.06 -> 12.07	Pre cat Rear	250-25038
					01.06 -> 12.07	Post cat Front	250-24773
					01.06 -> 12.07	Post cat Rear	250-24773
					01.08 -> 12.08	Pre cat Front	250-24355
					01.08 -> 12.08	Pre cat Rear	250-24355
					01.08 -> 12.08	Post cat Front	250-24746
					01.08 -> 12.08	Post cat Rear	250-24773



Model / Liter	Body Code	Engine kW	Engine Code	Application Identifier Engine or Chassis	Year From→To	Position	Walker Direct Fit
<b>CADILLAC (cont'd)</b>							
<b>STS (cont'd)</b>							
3.6	V		LLT	PLATINUM Model	01.08 -> 12.08	Pre cat Front	250-24355
			LLT	PLATINUM Model	01.08 -> 12.08	Pre cat Rear	250-24355
			LLT	PLATINUM Model	01.08 -> 12.08	Post cat Front	250-24746
			LLT	PLATINUM Model	01.08 -> 12.08	Post cat Rear	250-24773
4.4	D		V Model	V Model	01.06 -> 12.08	Pre cat Front	250-24698
			V Model	V Model	01.06 -> 12.08	Pre cat Rear	250-24698
			V Model	V Model	01.06 -> 12.08	Post cat Front	250-24728
			V Model	V Model	01.06 -> 12.08	Post cat Rear	250-24728
4.6	A		1st Design Exhaust	1st Design Exhaust	01.05 -> 12.05	Pre cat Front	250-25005
			1st Design Exhaust	1st Design Exhaust	01.05 -> 12.05	Pre cat Rear	250-25005
			1st Design Exhaust	1st Design Exhaust	01.05 -> 12.05	Post cat Front	250-24773
			1st Design Exhaust	1st Design Exhaust	01.05 -> 12.05	Post cat Rear	250-24773
			2nd Design Exhaust	2nd Design Exhaust	01.05 -> 12.05	Pre cat Front	250-25038
			2nd Design Exhaust	2nd Design Exhaust	01.05 -> 12.05	Pre cat Rear	250-25038
			2nd Design Exhaust	2nd Design Exhaust	01.05 -> 12.05	Post cat Front	250-24773
			2nd Design Exhaust	2nd Design Exhaust	01.05 -> 12.05	Post cat Rear	250-24773
					01.06 -> 12.06	Pre cat Front	250-25005
					01.06 -> 12.06	Pre cat Rear	250-25005
					01.06 -> 12.06	Post cat Front	250-24773
					01.06 -> 12.06	Post cat Rear	250-24773
		01.07 -> 12.08	Pre cat Front	250-24492			
		01.07 -> 12.08	Pre cat Rear	250-24492			
		01.07 -> 12.08	Post cat Front	250-24728			
		01.07 -> 12.08	Post cat Rear	250-24722			
<b>XLR</b>							
4.4	D		V Model	V Model	01.06 -> 12.08	Pre cat Left	250-24729
			V Model	V Model	01.06 -> 12.08	Pre cat Right	250-24729
			V Model	V Model	01.06 -> 12.08	Post cat Left	250-24722
			V Model	V Model	01.06 -> 12.08	Post cat Right	250-24722
4.6	A		Pre cat	Pre cat	01.04 -> 12.05	Left	250-25005
			Pre cat	Pre cat	01.04 -> 12.05	Right	250-25005
			Post cat	Post cat	01.04 -> 12.05	Left	250-24649
			Post cat	Post cat	01.04 -> 12.05	Right	250-24649
			Pre cat	Pre cat	01.06 -> 12.06	Left	250-25006
			Pre cat	Pre cat	01.06 -> 12.06	Right	250-25006
			Post cat	Post cat	01.06 -> 12.06	Left	250-24743
			Post cat	Post cat	01.06 -> 12.06	Right	250-24743
			Pre cat	Pre cat	01.07 -> 12.08	Left	250-24729
			Pre cat	Pre cat	01.07 -> 12.08	Right	250-24729
		01.07 -> 12.08	Post cat Left	250-24722			
		01.07 -> 12.08	Post cat Right	250-24722			
<b>CHEVROLET</b>							
<b>ASTRO</b>							
4.3			VIN # W	VIN # W	01.95 -> 12.95	Pre cat	250-23011
			VIN # W	VIN # W	01.96 -> 12.97	Pre cat Left	250-24012
			VIN # W	VIN # W	01.96 -> 12.97	Pre cat Right	250-24012
			VIN # W	VIN # W	01.96 -> 12.97	Center	• 250-24012
			VIN # W	VIN # W	01.96 -> 12.97	Post cat	• 250-24018
			VIN # W	VIN # W	01.98 -> 12.99	Pre cat Left	250-24273
			VIN # W	VIN # W	01.98 -> 12.99	Pre cat Right	250-24273
			VIN # W	VIN # W	01.98 -> 12.99	Post cat	• 250-24273
			VIN # X	VIN # X	01.00 -> 12.02	Pre cat Left	250-24267
			VIN # X	VIN # X	01.00 -> 12.02	Pre cat Right	250-24269
			VIN # X	VIN # X	01.00 -> 12.02	Post cat	• 250-24269
			VIN # X	VIN # X	01.03 -> 12.05	Pre cat Left	250-24339
			VIN # X	VIN # X	01.03 -> 12.05	Pre cat Right	250-24355
			VIN # X	VIN # X	01.03 -> 12.05	Post cat	• 250-24355
<b>AVALANCHE</b>							
5.3		LMG	LMG	LMG	01.07 -> 12.07	Pre cat Left	250-24703
			LMG	LMG	01.07 -> 12.07	Pre cat Right	250-24703
			LMG	LMG	01.07 -> 12.07	Post cat Left	250-24355
			LMG	LMG	01.07 -> 12.07	Post cat Right	250-24355
					01.08 -> 12.08	Pre cat Left	250-24470
					01.08 -> 12.08	Pre cat Right	250-24470
					01.08 -> 12.08	Post cat Left	250-24736
					01.08 -> 12.08	Post cat Right	250-24736



Model / Liter	Body Code	Engine kW	Engine Code	Application Identifier Engine or Chassis	Year From→ To	Position	Walker Direct Fit
<b>CHEVROLET (cont'd)</b>							
<b>AVALANCHE (cont'd)</b>							
6.0			L76		01.07 -> 12.07	Pre cat Left	250-24703
			L76		01.07 -> 12.07	Pre cat Right	250-24703
			L76		01.07 -> 12.07	Post cat Left	250-24355
			L76		01.07 -> 12.07	Post cat Right	250-24355
			L76		01.08 -> 12.08	Pre cat Left	250-24470
			L76		01.08 -> 12.08	Pre cat Right	250-24470
			L76		01.08 -> 12.08	Post cat Left	250-24736
			L76		01.08 -> 12.08	Post cat Right	250-24736
<b>AVALANCHE 1500</b>							
5.3			L59	Flex Fuel Vehicle	01.06 -> 12.06	Pre cat Left	250-24703
			L59	Flex Fuel Vehicle	01.06 -> 12.06	Pre cat Right	250-24703
			L59	Flex Fuel Vehicle	01.06 -> 12.06	Post cat Left	250-24708
			L59	Flex Fuel Vehicle	01.06 -> 12.06	Post cat Right	250-24708
<b>AVALANCHE 2500</b>							
8.1					12.03 -> 01.06	Pre cat Left	250-24491
					12.03 -> 01.06	Pre cat Right	250-24491
					12.03 -> 01.06	Post cat Left	250-24492
					12.03 -> 01.06	Post cat Right	250-24491
					01.02 ->	Pre cat Left	250-24248
					01.02 ->	Pre cat Right	250-24248
					01.02 ->	Post cat Left	250-24274
					01.02 ->	Post cat Right	250-24248
<b>AVEO</b>							
1.6					01.04 -> 12.05	Pre cat	250-24490
					01.04 -> 12.05	Post cat	250-24490
				LEV Specification	01.06 -> 12.07	Pre cat	250-24067
				LEV Specification	01.06 -> 12.07	Post cat	250-24490
				ULEV Specification	01.06 -> 12.07	Pre cat	250-24067
				ULEV Specification	01.06 -> 12.07	Post cat	250-24789
				LEV Specification	01.08 -> 12.08	Pre cat	250-24067
				LEV Specification	01.08 -> 12.08	Post cat	250-24789
<b>AVEO 5</b>							
1.6				LEV Specification	01.07 ->	Pre cat	250-24067
				LEV Specification	01.07 ->	Post cat	250-24490
				ULEV Specification	01.07 ->	Pre cat	250-24067
				ULEV Specification	01.07 ->	Post cat	250-24789
					01.08 -> 12.08	Pre cat	250-24067
					01.08 -> 12.08	Post cat	250-24789
<b>BLAZER S-SERIES</b>							
4.3				VIN # X	01.95 -> 12.01	Pre cat Left	250-24012
				VIN # X	01.95 -> 12.01	Pre cat Right	250-24012
				VIN # X	01.95 -> 12.01	Post cat Left	250-24012
				VIN # X	01.95 -> 12.01	Post cat Right	250-24012
				VIN # W	01.02 -> 12.02	Pre cat Left	250-24269
				VIN # W	01.02 -> 12.02	Pre cat Right	250-24269
				VIN # W	01.02 -> 12.02	Post cat Left	250-24012
				VIN # W	01.02 -> 12.02	Post cat Right	250-24012
				VIN # W	01.03 -> 12.05	Pre cat Left	250-24269
				VIN # W	01.03 -> 12.05	Pre cat Right	250-24269
				VIN # W	01.03 -> 12.05	Post cat Left	250-24269
				VIN # W	01.03 -> 12.05	Post cat Right	250-24269
<b>CAVALIER</b>							
2.2			LN2	VIN # 4	01.96 -> 12.98	Pre cat	250-21001
2.2			LN2	VIN # 4	01.96 -> 12.98	Post cat	250-24275
				VIN # 4	01.99 -> 12.99	Pre cat	250-21028
				VIN # 4	01.99 -> 12.99	Post cat	250-24275
				VIN # 4	01.00 -> 12.01	Pre cat	250-22060
				VIN # 4	01.00 -> 12.01	Post cat	250-24275
				VIN # 4, 6	01.02 -> 12.04	Pre cat	250-24273
				VIN # 4, 6	01.02 -> 12.04	Post cat	250-24334
			L61	VIN # F	01.02 -> 12.05	Pre cat	250-24273
			L61	VIN # F	01.02 -> 12.05	Post cat	250-24334
2.4				VIN # T	01.96 -> 12.98	Pre cat	250-21001
				VIN # T	01.96 -> 12.98	Post cat	250-24616
				VIN # T	01.99 -> 12.99	Pre cat	250-21028
				VIN # T	01.99 -> 12.99	Post cat	250-24616
				VIN # T	01.00 -> 12.02	Pre cat	250-22060
				VIN # T	01.00 -> 12.02	Post cat	250-24616





Model / Liter	Body Code	Engine kW	Engine Code	Application Identifier Engine or Chassis	Year From→To	Position	Walker Direct Fit
<b>CHEVROLET (cont'd)</b>							
<b>COBALT</b>							
2.0				VIN # P	01.05 -> 12.07	Pre cat	250-24273
				VIN # P	01.05 -> 12.07	Post cat	250-24354
				VIN # X	01.08 -> 12.08	Pre cat	250-25034
				VIN # X	01.08 -> 12.08	Post cat	250-24745
2.2		L61		VIN # F	01.05 -> 12.08	Pre cat	250-24470
		L61		VIN # F	01.05 -> 12.08	Post cat	250-24354
2.4				VIN # B	01.06 -> 12.08	Pre cat	250-24470
				VIN # B	01.06 -> 12.08	Post cat	250-24354
<b>COLORADO</b>							
2.8					01.06 -> 12.06	Pre cat	250-24698
					01.06 -> 12.06	Post cat	250-24703
2.9					01.07 -> 12.08	Pre cat	250-24698
					01.07 -> 12.08	Post cat	250-24708
3.5					01.06 -> 12.06	Pre cat	250-24698
					01.06 -> 12.06	Post cat	250-24703
3.7					01.07 -> 12.08	Pre cat	250-24698
					01.07 -> 12.08	Post cat	250-24708
<b>CORVETTE</b>							
5.7				VIN # 5, P	01.96 -> 12.96	Pre cat Left	250-24012
				VIN # 5, P	01.96 -> 12.96	Pre cat Right	250-24012
				VIN # 5, P	01.96 -> 12.96	Post cat Left	250-24012
				VIN # 5, P	01.96 -> 12.96	Post cat Right	250-24012
				VIN # G, S	01.97 -> 12.03	Pre cat Left	250-24012
				VIN # G, S	01.97 -> 12.03	Pre cat Right	250-24012
				VIN # G, S	01.97 -> 12.03	Post cat Left	250-24617
				VIN # G, S	01.97 -> 12.03	Post cat Right	250-24617
				VIN # G, S	01.04 -> 12.04	Pre cat Left	250-24470
				VIN # G, S	01.04 -> 12.04	Pre cat Right	250-24470
				VIN # G, S	01.04 -> 12.04	Post cat Left	250-24321
				VIN # G, S	01.04 -> 12.04	Post cat Right	250-24321
				ZR-1 Model; VIN # J	01.90 -> 12.95	Pre cat Left	250-23005
				ZR-1 Model; VIN # J	01.90 -> 12.95	Pre cat Right	250-23005
				VIN # P	01.94 -> 12.95	Pre cat Left	250-24012
				VIN # P	01.94 -> 12.95	Pre cat Right	250-24012
6.0				VIN # U	01.05 -> 12.07	Pre cat Left	250-24492
				VIN # U	01.05 -> 12.07	Pre cat Right	250-24492
				VIN # U	01.05 -> 12.07	Post cat Left	250-24267
				VIN # U	01.05 -> 12.07	Post cat Right	250-24267
6.2		LS3		VIN # W	01.08 -> 12.08	Pre cat Left	250-24492
		LS3		VIN # W	01.08 -> 12.08	Pre cat Right	250-24492
		LS3		VIN # W	01.08 -> 12.08	Post cat Left	250-24736
		LS3		VIN # W	01.08 -> 12.08	Post cat Right	250-24736
7.0				VIN # E	01.06 -> 12.07	Pre cat Left	250-24492
				VIN # E	01.06 -> 12.07	Pre cat Right	250-24492
				VIN # E	01.06 -> 12.07	Post cat Left	250-24267
				VIN # E	01.06 -> 12.07	Post cat Right	250-24267
				VIN # E	01.08 -> 12.08	Pre cat Left	250-24492
				VIN # E	01.08 -> 12.08	Pre cat Right	250-24492
				VIN # E	01.08 -> 12.08	Post cat Left	250-24736
				VIN # E	01.08 -> 12.08	Post cat Right	250-24736
<b>EQUINOX</b>							
3.4					01.05 -> 12.07	Pre cat	250-24470
					01.05 -> 12.07	Post cat	250-24267
					01.08 -> 12.08	Pre cat	250-24470
					01.08 -> 12.08	Post cat	250-24736
3.6					01.08 -> 12.08	Pre cat Left	250-24355
					01.08 -> 12.08	Pre cat Right	250-24355
					01.08 -> 12.08	Post cat Left	250-24773
					01.08 -> 12.08	Post cat Right	250-24773
<b>EVANDA</b>							
2.0			C20SED		03.05 ->	Pre cat	250-24490
			C20SED		03.05 ->	Post cat	250-24490
<b>HHR</b>							
2.0				VIN # X	01.08 -> 12.08	Pre cat	250-25034
				VIN # X	01.08 -> 12.08	Post cat	250-24745
2.2				VIN # D	01.06 -> 12.08	Pre cat	250-24470
				VIN # D	01.06 -> 12.08	Post cat	250-24354



Model / Liter	Body Code	kW	Engine Code	Application Identifier Engine or Chassis	Year From→ To	Position	Walker Direct Fit
<b>CHEVROLET (cont'd)</b>							
<b>HHR (cont'd)</b>							
2.4				VIN # P	01.06 -> 12.07	Pre cat	250-24492
				VIN # P	01.06 -> 12.07	Post cat	250-24354
				VIN # B	01.08 -> 12.08	Pre cat	250-24704
				VIN # B	01.08 -> 12.08	Post cat	250-24354
<b>IMPALA</b>							
3.4				VIN # E	01.00 -> 12.04	Pre cat	250-24269
				VIN # E	01.00 -> 12.04	Post cat	250-24340
				VIN # E	01.05 -> 12.05	Pre cat	250-24269
				VIN # E	01.05 -> 12.05	Post cat	250-24267
3.5				VIN # K; Flex Fuel Vehicle	01.06 -> 12.06	Pre cat	250-24470
				VIN # K; Flex Fuel Vehicle	01.06 -> 12.06	Post cat	250-24267
				VIN # K, N	01.06 -> 12.07	Pre cat	250-24470
				VIN # K, N	01.06 -> 12.07	Post cat	250-24267
				VIN # 3, K, N	01.08 -> 12.08	Pre cat	250-24470
				VIN # 3, K, N	01.08 -> 12.08	Post cat	250-24736
3.8				VIN # K	01.00 -> 12.03	Pre cat	250-24018
				VIN # K	01.00 -> 12.03	Post cat	250-24340
				VIN # 1, K	01.04 -> 12.05	Pre cat	250-24273
				VIN # 1, K	01.04 -> 12.05	Post cat	250-24267
3.9				VIN # 1, R	01.06 -> 12.07	Pre cat	250-24470
				VIN # 1, R	01.06 -> 12.07	Post cat	250-24267
5.3				SS Model; VIN # C	01.06 -> 12.07	Pre cat	250-24703
				SS Model; VIN # C	01.06 -> 12.07	Post cat	250-24267
				SS Model; VIN # C	01.08 -> 12.08	Pre cat	250-24703
				SS Model; VIN # C	01.08 -> 12.08	Post cat	250-24703
<b>KALOS</b>							
1.4			ETECII		03.05 ->	Pre cat	250-24490
1.4 16V			F14D3	Euro 3 (D3)	03.05 ->	Pre cat	250-24490
			F14D3	Euro 4 (D4)	03.05 ->	Pre cat	250-24067
			F14D3	Euro 4 (D4)	03.05 ->	Post cat	250-24490
<b>MALIBU</b>							
2.2		L61		VIN # F; Type "N" body	01.04 -> 12.04	Pre cat	250-24273
		L61		VIN # F; Type "N" body	01.04 -> 12.04	Post cat	250-24321
		L61		VIN # F; Type "Z" body	01.04 -> 12.04	Pre cat	250-24273
		L61		VIN # F; Type "Z" body	01.04 -> 12.04	Post cat	250-24339
		L61		VIN # F	01.05 -> 12.06	Pre cat	250-24273
		L61		VIN # F	01.05 -> 12.06	Post cat	250-24339
		L61		VIN # F	01.07 -> 12.08	Pre cat	250-24470
		L61		VIN # F	01.07 -> 12.08	Post cat	250-24339
2.4				VIN # T	01.97 -> 12.98	Pre cat	250-21001
				VIN # T	01.97 -> 12.98	Post cat	250-24617
				VIN # T; w/o RC9	01.99 -> 12.99	Pre cat	250-21001
				VIN # T; w/o RC9	01.99 -> 12.99	Post cat	250-24617
				VIN # T; w/ RC9	01.99 -> 12.99	Pre cat	250-21028
				VIN # T; w/ RC9	01.99 -> 12.99	Post cat	250-24617
				VIN # 5, B	01.08 -> 12.08	Pre cat	250-24704
				VIN # 5, B	01.08 -> 12.08	Post cat	250-24708
				VIN # B	01.08 -> 12.08	Pre cat	250-24492
				VIN # B	01.08 -> 12.08	Post cat	250-24708
3.1				VIN # M	01.97 -> 12.98	Pre cat	250-24018
				VIN # M	01.97 -> 12.98	Post cat	250-24617
				VIN # J, M	01.99 -> 12.00	Pre cat	Left 250-24018
				VIN # J, M	01.99 -> 12.00	Pre cat	Right 250-24018
				VIN # J, M	01.99 -> 12.00	Post cat	• 250-24617
				VIN # J	01.01 -> 12.03	Pre cat	250-24269
				VIN # J	01.01 -> 12.03	Post cat	250-24617
3.5				VIN # N	01.04 -> 12.07	Pre cat	Front 250-24470
				VIN # N	01.04 -> 12.07	Pre cat	Rear 250-24470
				VIN # N	01.04 -> 12.07	Post cat	Front 250-24267
				VIN # N	01.04 -> 12.07	Post cat	Rear 250-24267
				VIN # N, V	01.08 -> 12.08	Pre cat	Front 250-24470
				VIN # N, V	01.08 -> 12.08	Pre cat	Rear 250-24470
				VIN # N, V	01.08 -> 12.08	Post cat	Front 250-24736
				VIN # N, V	01.08 -> 12.08	Post cat	Rear 250-24736
3.6				VIN # 7	01.08 -> 12.08	Pre cat	Front 250-24470
				VIN # 7	01.08 -> 12.08	Pre cat	Rear 250-24470
				VIN # 7	01.08 -> 12.08	Post cat	Front 250-24736
				VIN # 7	01.08 -> 12.08	Post cat	Rear 250-24728



Model / Liter	Body Code	Engine kW	Engine Code	Application Identifier Engine or Chassis	Year From→To	Position	Walker Direct Fit
<b>CHEVROLET (cont'd)</b>							
<b>MALIBU (cont'd)</b>							
3.9				VIN # 1	01.06 -> 12.07	Pre cat Front	250-24470
				VIN # 1	01.06 -> 12.07	Pre cat Rear	250-24470
				VIN # 1	01.06 -> 12.07	Post cat Front	250-24267
				VIN # 1	01.06 -> 12.07	Post cat Rear	250-24267
<b>MONTE CARLO</b>							
3.1				VIN # M	01.95 -> 12.95	Pre cat Left	250-24012
				VIN # M	01.95 -> 12.95	Pre cat Right	250-24012
				VIN # M	01.96 -> 12.96	Pre cat Left	250-24012
				VIN # M	01.96 -> 12.96	Pre cat Right	250-24012
				VIN # M	01.96 -> 12.96	Post cat	• 250-24340
				VIN # M	01.97 -> 12.99	Pre cat	250-24018
				VIN # M	01.97 -> 12.99	Post cat	250-24340
3.4				VIN # X	01.95 -> 12.95	Pre cat Left	250-24012
				VIN # X	01.95 -> 12.95	Pre cat Right	250-24012
				VIN # X	01.96 -> 12.97	Pre cat	250-24018
				VIN # X	01.96 -> 12.97	Post cat	250-24340
				VIN # E	01.00 -> 12.00	Pre cat	250-24018
				VIN # E	01.00 -> 12.00	Post cat	250-24340
				VIN # E	01.01 -> 12.04	Pre cat	250-24269
				VIN # E	01.01 -> 12.04	Post cat	250-24340
				VIN # E	01.05 -> 12.05	Pre cat	250-24269
				VIN # E	01.05 -> 12.05	Post cat	250-24267
3.5				VIN # K, N	01.06 -> 12.07	Pre cat Left	250-24470
				VIN # K, N	01.06 -> 12.07	Pre cat Right	250-24470
				VIN # K, N	01.06 -> 12.07	Post cat	• 250-24267
3.8				VIN # K	01.98 -> 12.99	Pre cat	250-24018
				VIN # K	01.98 -> 12.99	Post cat	250-24340
				VIN # K	01.00 -> 12.02	Pre cat	250-24018
				VIN # K	01.00 -> 12.02	Post cat	250-24340
				VIN # 1, K	01.03 -> 12.05	Pre cat	250-24273
				VIN # 1, K	01.03 -> 12.05	Post cat	250-24267
3.9				VIN # R	01.06 -> 12.07	Pre cat Left	250-24470
				VIN # R	01.06 -> 12.07	Pre cat Right	250-24470
				VIN # R	01.06 -> 12.07	Post cat	• 250-24267
5.3				VIN # C	01.06 -> 12.07	Pre cat	250-24703
				VIN # C	01.06 -> 12.07	Post cat	250-24267
<b>PICKUP C1500</b>							
4.3				OEM # 25133505	01.95 -> 12.95	Pre cat	250-23011
				OEM # 25165312	01.95 -> 12.95	Pre cat	250-23005
					01.96 -> 12.98	Pre cat Left	250-24012
					01.96 -> 12.98	Pre cat Right	250-24012
					01.96 -> 12.98	Post cat Left	250-24018
					01.96 -> 12.98	Post cat Right	250-24018
5.0					01.95 -> 12.95	Pre cat	250-21001
				A/T	01.96 -> 12.98	Pre cat Left	250-24012
				A/T	01.96 -> 12.98	Pre cat Right	250-24012
				A/T	01.96 -> 12.98	Post cat Left	250-24018
				A/T	01.96 -> 12.98	Post cat Right	250-24018
				M/T	01.96 -> 12.98	Pre cat Left	250-24019
				M/T	01.96 -> 12.98	Pre cat Right	250-24019
				M/T	01.96 -> 12.98	Post cat Left	250-24018
				M/T	01.96 -> 12.98	Post cat Right	250-24018
					01.99 -> 12.99	Pre cat Left	250-24012
					01.99 -> 12.99	Pre cat Right	250-24012
					01.99 -> 12.99	Post cat Left	250-24018
					01.99 -> 12.99	Post cat Right	250-24018
5.7				Exc. Trans Code 4L60E	01.95 -> 12.95	Pre cat	250-21001
				Trans Code 4L60E	01.95 -> 12.95	Pre cat	250-23011
				A/T; w/ Electronic Trans	01.96 -> 12.99	Pre cat Left	250-24012
				A/T; w/ Electronic Trans	01.96 -> 12.99	Pre cat Right	250-24012
				A/T; w/ Electronic Trans	01.96 -> 12.99	Post cat Left	250-24018
				A/T; w/ Electronic Trans	01.96 -> 12.99	Post cat Right	250-24018
				A/T; w/o Electronic Trans	01.96 -> 12.99	Pre cat Left	250-24019
				A/T; w/o Electronic Trans	01.96 -> 12.99	Pre cat Right	250-24019
				A/T; w/o Electronic Trans	01.96 -> 12.99	Post cat Left	250-24018
				A/T; w/o Electronic Trans	01.96 -> 12.99	Post cat Right	250-24018



Model / Liter	Body Code	kW	Engine Code	Application Identifier Engine or Chassis	Year From→ To	Position	Walker Direct Fit
<b>CHEVROLET (cont'd)</b>							
<b>PICKUP C1500 (cont'd)</b>							
5.7				M/T	01.96 -> 12.99	Pre cat Left	250-24019
				M/T	01.96 -> 12.99	Pre cat Right	250-24019
				M/T	01.96 -> 12.99	Post cat Left	250-24018
				M/T	01.96 -> 12.99	Post cat Right	250-24018
<b>PICKUP C2500</b>							
4.3					01.95 -> 12.95	Pre cat Left	250-23005
					01.95 -> 12.95	Pre cat Right	250-23005
5.0					01.95 -> 12.95	Pre cat	250-21001
				A/T	01.96 -> 12.98	Pre cat Left	250-24012
				A/T	01.96 -> 12.98	Pre cat Right	250-24012
				A/T	01.96 -> 12.98	Post cat Left	250-24018
				A/T	01.96 -> 12.98	Post cat Right	250-24018
				M/T	01.96 -> 12.98	Pre cat Left	250-24019
				M/T	01.96 -> 12.98	Pre cat Right	250-24019
				M/T	01.96 -> 12.98	Post cat Left	250-24018
				M/T	01.96 -> 12.98	Post cat Right	250-24018
					01.99 -> 12.99	Pre cat Left	250-24012
					01.99 -> 12.99	Pre cat Right	250-24012
					01.99 -> 12.99	Post cat Left	250-24018
					01.99 -> 12.99	Post cat Right	250-24018
5.7				Exc. Trans Code 4L60E	01.95 -> 12.95	Pre cat	250-21001
				Trans Code 4L60E	01.95 -> 12.95	Pre cat	250-23011
				A/T; w/ Electronic Trans	01.96 -> 12.00	Pre cat Left	250-24012
				A/T; w/ Electronic Trans	01.96 -> 12.00	Pre cat Right	250-24012
				A/T; w/ Electronic Trans	01.96 -> 12.00	Post cat Left	250-24018
				A/T; w/ Electronic Trans	01.96 -> 12.00	Post cat Right	250-24018
				A/T; w/o Electronic Trans	01.96 -> 12.00	Pre cat Left	250-24019
				A/T; w/o Electronic Trans	01.96 -> 12.00	Pre cat Right	250-24019
				A/T; w/o Electronic Trans	01.96 -> 12.00	Post cat Left	250-24018
				A/T; w/o Electronic Trans	01.96 -> 12.00	Post cat Right	250-24018
				M/T	01.96 -> 12.00	Pre cat Left	250-24019
				M/T	01.96 -> 12.00	Pre cat Right	250-24019
				M/T	01.96 -> 12.00	Post cat Left	250-24018
				M/T	01.96 -> 12.00	Post cat Right	250-24018
7.4					01.91 -> 12.95	Pre cat	250-21001
					01.96 -> 12.99	Pre cat Left	250-24019
					01.96 -> 12.99	Pre cat Right	250-24019
					01.96 -> 12.99	Post cat Left	250-24018
					01.96 -> 12.99	Post cat Right	250-24018
					01.00 -> 12.00	Pre cat Left	250-24248
					01.00 -> 12.00	Pre cat Right	250-24248
					01.00 -> 12.00	Post cat Left	250-24018
					01.00 -> 12.00	Post cat Right	250-24018
<b>PICKUP C3500</b>							
5.7				Exc. Trans Code 4L80E	01.95 -> 12.95	Pre cat	250-21001
				Trans Code 4L80E	01.95 -> 12.95	Pre cat	250-23011
				A/T; w/ Electronic Trans	01.96 -> 12.00	Pre cat Left	250-24012
				A/T; w/ Electronic Trans	01.96 -> 12.00	Pre cat Right	250-24012
				A/T; w/ Electronic Trans	01.96 -> 12.00	Post cat Left	250-24018
				A/T; w/ Electronic Trans	01.96 -> 12.00	Post cat Right	250-24018
				A/T; w/o Electronic Trans	01.96 -> 12.00	Pre cat Left	250-24019
				A/T; w/o Electronic Trans	01.96 -> 12.00	Pre cat Right	250-24019
				A/T; w/o Electronic Trans	01.96 -> 12.00	Post cat Left	250-24018
				A/T; w/o Electronic Trans	01.96 -> 12.00	Post cat Right	250-24018
				M/T	01.96 -> 12.00	Pre cat Left	250-24019
				M/T	01.96 -> 12.00	Pre cat Right	250-24019
				M/T	01.96 -> 12.00	Post cat Left	250-24018
				M/T	01.96 -> 12.00	Post cat Right	250-24018
7.4					01.96 -> 12.99	Pre cat Left	250-24019
					01.96 -> 12.99	Pre cat Right	250-24019
					01.96 -> 12.99	Post cat Left	250-24018
					01.96 -> 12.99	Post cat Right	250-24018
					01.00 -> 12.00	Pre cat Left	250-24248
					01.00 -> 12.00	Pre cat Right	250-24248
					01.00 -> 12.00	Post cat Left	250-24018
					01.00 -> 12.00	Post cat Right	250-24018





Model / Liter	Body Code	Engine kW	Engine Code	Application Identifier Engine or Chassis	Year From→To	Position	Walker Direct Fit
<b>CHEVROLET (cont'd)</b>							
<b>PICKUP C3500 (cont'd)</b>							
8.1					01.01 -> 12.02	Pre cat Left	250-24248
					01.01 -> 12.02	Pre cat Right	250-24248
					01.01 -> 12.02	Post cat Left	250-24248
					01.01 -> 12.02	Post cat Right	250-24274
<b>PICKUP K1500</b>							
4.3			OEM # 25133505		01.95 -> 12.95	Pre cat	250-23011
			OEM # 25165312		01.95 -> 12.95	Pre cat	250-23005
					01.96 -> 12.98	Pre cat Left	250-24012
					01.96 -> 12.98	Pre cat Right	250-24012
					01.96 -> 12.98	Post cat Left	250-24018
					01.96 -> 12.98	Post cat Right	250-24018
5.0					01.95 -> 12.95	Pre cat	250-21001
			A/T		01.96 -> 12.98	Pre cat Left	250-24012
			A/T		01.96 -> 12.98	Pre cat Right	250-24012
			A/T		01.96 -> 12.98	Post cat Left	250-24018
			A/T		01.96 -> 12.98	Post cat Right	250-24018
			M/T		01.96 -> 12.98	Pre cat Left	250-24019
			M/T		01.96 -> 12.98	Pre cat Right	250-24019
			M/T		01.96 -> 12.98	Post cat Left	250-24018
			M/T		01.96 -> 12.98	Post cat Right	250-24018
					01.99 -> 12.99	Pre cat Left	250-24012
					01.99 -> 12.99	Pre cat Right	250-24012
					01.99 -> 12.99	Post cat Left	250-24018
					01.99 -> 12.99	Post cat Right	250-24018
5.7			Exc. Trans Code 4L60E		01.95 -> 12.95	Pre cat	250-21001
			Trans Code 4L60E		01.95 -> 12.95	Pre cat	250-23011
			A/T; w/ Electronic Trans		01.96 -> 12.99	Pre cat Left	250-24012
			A/T; w/ Electronic Trans		01.96 -> 12.99	Pre cat Right	250-24012
			A/T; w/ Electronic Trans		01.96 -> 12.99	Post cat Left	250-24018
			A/T; w/ Electronic Trans		01.96 -> 12.99	Post cat Right	250-24018
			A/T; w/o Electronic Trans		01.96 -> 12.99	Pre cat Left	250-24019
			A/T; w/o Electronic Trans		01.96 -> 12.99	Pre cat Right	250-24019
			A/T; w/o Electronic Trans		01.96 -> 12.99	Post cat Left	250-24018
			A/T; w/o Electronic Trans		01.96 -> 12.99	Post cat Right	250-24018
			M/T		01.96 -> 12.99	Pre cat Left	250-24019
			M/T		01.96 -> 12.99	Pre cat Right	250-24019
			M/T		01.96 -> 12.99	Post cat Left	250-24018
			M/T		01.96 -> 12.99	Post cat Right	250-24018
<b>PICKUP K2500</b>							
4.3					01.95 -> 12.95	Pre cat Left	250-23005
					01.95 -> 12.95	Pre cat Right	250-23005
5.0					01.95 -> 12.95	Pre cat	250-21001
			Exc. Trans Code 4L60E		01.96 -> 12.97	Pre cat Left	250-24019
			Exc. Trans Code 4L60E		01.96 -> 12.97	Pre cat Right	250-24019
			Exc. Trans Code 4L60E		01.96 -> 12.97	Post cat Left	250-24018
			Exc. Trans Code 4L60E		01.96 -> 12.97	Post cat Right	250-24018
			Trans Code 4L60E		01.96 -> 12.97	Pre cat Left	250-24012
			Trans Code 4L60E		01.96 -> 12.97	Pre cat Right	250-24012
			Trans Code 4L60E		01.96 -> 12.97	Post cat Left	250-24018
			Trans Code 4L60E		01.96 -> 12.97	Post cat Right	250-24018
			A/T		01.98 -> 12.99	Pre cat Left	250-24012
			A/T		01.98 -> 12.99	Pre cat Right	250-24012
			A/T		01.98 -> 12.99	Post cat Left	250-24019
			A/T		01.98 -> 12.99	Post cat Right	250-24019
			M/T		01.98 -> 12.99	Pre cat Left	250-24012
			M/T		01.98 -> 12.99	Pre cat Right	250-24012
			M/T		01.98 -> 12.99	Post cat Left	250-24018
			M/T		01.98 -> 12.99	Post cat Right	250-24018
5.7			Exc. Trans Code 4L60E		01.94 -> 12.95	Pre cat	250-21001
			Trans Code 4L60E		01.95 -> 12.95	Pre cat	250-23011
			A/T; w/ Electronic Trans		01.96 -> 12.00	Pre cat Left	250-24012
			A/T; w/ Electronic Trans		01.96 -> 12.00	Pre cat Right	250-24012
			A/T; w/ Electronic Trans		01.96 -> 12.00	Post cat Left	250-24018
			A/T; w/ Electronic Trans		01.96 -> 12.00	Post cat Right	250-24018
			A/T; w/o Electronic Trans		01.96 -> 12.00	Pre cat Left	250-24019
			A/T; w/o Electronic Trans		01.96 -> 12.00	Pre cat Right	250-24019
			A/T; w/o Electronic Trans		01.96 -> 12.00	Post cat Left	250-24018
			A/T; w/o Electronic Trans		01.96 -> 12.00	Post cat Right	250-24018



Model / Liter	Body Code	kW	Engine Code	Application Identifier Engine or Chassis	Year From→ To	Position	Walker Direct Fit
<b>CHEVROLET (cont'd)</b>							
<b>PICKUP K2500 (cont'd)</b>							
5.7			M/T		01.96 -> 12.00	Pre cat Left	250-24019
			M/T		01.96 -> 12.00	Pre cat Right	250-24019
			M/T		01.96 -> 12.00	Post cat Left	250-24018
			M/T		01.96 -> 12.00	Post cat Right	250-24018
7.4					01.95 -> 12.95	Pre cat	250-21001
					01.96 -> 12.99	Pre cat Left	250-24019
					01.96 -> 12.99	Pre cat Right	250-24019
					01.96 -> 12.99	Post cat Left	250-24018
					01.96 -> 12.99	Post cat Right	250-24018
					01.00 -> 12.00	Pre cat Left	250-24248
					01.00 -> 12.00	Pre cat Right	250-24248
					01.00 -> 12.00	Post cat Left	250-24018
					01.00 -> 12.00	Post cat Right	250-24018
<b>PICKUP K3500</b>							
5.7				Exc. Trans Code 4L80E	01.95 -> 12.95	Pre cat	250-21001
				Trans Code 4L80E	01.95 -> 12.95	Pre cat	250-23011
				A/T; w/ Electronic Trans	01.96 -> 12.00	Pre cat Left	250-24012
				A/T; w/ Electronic Trans	01.96 -> 12.00	Pre cat Right	250-24012
				A/T; w/ Electronic Trans	01.96 -> 12.00	Post cat Left	250-24018
				A/T; w/ Electronic Trans	01.96 -> 12.00	Post cat Right	250-24018
				A/T; w/o Electronic Trans	01.96 -> 12.00	Pre cat Left	250-24019
				A/T; w/o Electronic Trans	01.96 -> 12.00	Pre cat Right	250-24019
				A/T; w/o Electronic Trans	01.96 -> 12.00	Post cat Left	250-24018
				A/T; w/o Electronic Trans	01.96 -> 12.00	Post cat Right	250-24018
				M/T	01.96 -> 12.00	Pre cat Left	250-24019
				M/T	01.96 -> 12.00	Pre cat Right	250-24019
				M/T	01.96 -> 12.00	Post cat Left	250-24018
				M/T	01.96 -> 12.00	Post cat Right	250-24018
7.4					01.95 -> 12.95	Pre cat	250-21001
					01.96 -> 12.99	Pre cat Left	250-24019
					01.96 -> 12.99	Pre cat Right	250-24019
					01.96 -> 12.99	Post cat Left	250-24018
					01.96 -> 12.99	Post cat Right	250-24018
					01.00 -> 12.00	Pre cat Left	250-24248
					01.00 -> 12.00	Pre cat Right	250-24248
					01.00 -> 12.00	Post cat Left	250-24018
					01.00 -> 12.00	Post cat Right	250-24018
<b>PICKUP S10</b>							
2.2					01.94 -> 12.95	Pre cat	250-21001
					01.96 -> 12.96	Pre cat	250-21001
					01.96 -> 12.96	Post cat	250-24012
					01.97 -> 12.98	Pre cat	250-21001
					01.97 -> 12.98	Post cat	250-24340
					01.99 -> 12.00	Pre cat	250-21028
					01.99 -> 12.00	Post cat	250-24340
				Flex Fuel Vehicle	01.00 -> 12.00	Pre cat	250-22060
				Flex Fuel Vehicle	01.00 -> 12.00	Post cat	250-24340
					01.01 -> 12.03	Pre cat	250-22060
					01.01 -> 12.03	Post cat	250-24340
4.3					01.95 -> 12.98	Pre cat Left	250-24012
					01.95 -> 12.98	Pre cat Right	250-24012
					01.95 -> 12.98	Center	• 250-24012
					01.95 -> 12.98	Post cat	• 250-24012
					01.00 -> 12.01	Pre cat Left	250-24012
					01.00 -> 12.01	Pre cat Right	250-24012
					01.00 -> 12.01	Post cat	• 250-24012
					01.02 -> 12.02	Pre cat Left	250-24269
					01.02 -> 12.02	Pre cat Right	250-24269
					01.02 -> 12.02	Post cat Left	250-24269
					01.02 -> 12.02	Post cat Right	250-24269
					01.03 -> 12.04	Pre cat Left	250-24269
					01.03 -> 12.04	Pre cat Right	250-24269
					01.03 -> 12.04	Post cat	• 250-24269
<b>PRIZM</b>							
1.8					01.98 -> 12.02	Pre cat	250-24154
					01.98 -> 12.02	Post cat	250-24107
<b>REZZO</b>							
1.6			A16DMS	M/T	03.05 -> 09.05	Pre cat	250-22076
			A16DMS	M/T	09.05 ->	Post cat	250-24789



Model / Liter	Body Code	Engine kW	Engine Code	Application Identifier Engine or Chassis	Year From→ To	Position	Walker Direct Fit	
<b>CHEVROLET (cont'd)</b>								
<b>SILVERADO</b>								
6.0			SS Model		01.03 -> 12.03	Pre cat Left	250-24491	
			SS Model		01.03 -> 12.03	Pre cat Right	250-24491	
			SS Model		01.03 -> 12.03	Post cat Left	250-24267	
			SS Model		01.03 -> 12.03	Post cat Right	250-24267	
			SS Model		01.04 -> 12.05	Pre cat Left	250-24491	
			SS Model		01.04 -> 12.05	Pre cat Right	250-24491	
			SS Model		01.04 -> 12.05	Post cat Left	250-24488	
			SS Model		01.04 -> 12.05	Post cat Right	250-24267	
					01.06 -> 12.07	Pre cat Left	250-24491	
					01.06 -> 12.07	Pre cat Right	250-24491	
					01.06 -> 12.07	Post cat Left	250-24267	
					01.06 -> 12.07	Post cat Right	250-24267	
	<b>SILVERADO 1500</b>							
4.3					01.02 -> 12.02	Pre cat Left	250-24269	
					01.02 -> 12.02	Pre cat Right	250-24269	
					01.02 -> 12.02	Post cat Left	250-24269	
					01.02 -> 12.02	Post cat Right	250-24269	
					01.07 -> 12.08	Pre cat Left	250-24703	
					01.07 -> 12.08	Pre cat Right	250-24703	
					01.07 -> 12.08	Post cat Left	250-24355	
					01.07 -> 12.08	Post cat Right	250-24355	
	4.8					01.06 -> 12.07	Pre cat Left	250-24703
						01.06 -> 12.07	Pre cat Right	250-24703
					01.06 -> 12.07	Post cat Left	250-24355	
					01.06 -> 12.07	Post cat Right	250-24355	
					01.07 -> 12.07	Pre cat Left	250-24470	
					01.07 -> 12.07	Pre cat Right	250-24470	
					01.07 -> 12.07	Post cat Left	250-24267	
					01.07 -> 12.07	Post cat Right	250-24267	
					01.08 -> 12.08	Pre cat Left	250-24470	
					01.08 -> 12.08	Pre cat Right	250-24470	
5.3					01.08 -> 12.08	Post cat Left	250-24736	
					01.08 -> 12.08	Post cat Right	250-24736	
			Flex Fuel Vehicle		01.02 -> 12.02	Pre cat Left	250-24269	
			Flex Fuel Vehicle		01.02 -> 12.02	Pre cat Right	250-24269	
			Flex Fuel Vehicle		01.02 -> 12.02	Post cat Left	250-24269	
			Flex Fuel Vehicle		01.02 -> 12.02	Post cat Right	250-24269	
			HYBRID Model		01.04 -> 12.05	Pre cat Left	250-24470	
			HYBRID Model		01.04 -> 12.05	Pre cat Right	250-24470	
			HYBRID Model		01.04 -> 12.05	Post cat Left	250-24470	
			HYBRID Model		01.04 -> 12.05	Post cat Right	250-24470	
6.0			Flex Fuel Vehicle		01.05 -> 12.05	Pre cat Left	250-24470	
			Flex Fuel Vehicle		01.05 -> 12.05	Pre cat Right	250-24470	
			Flex Fuel Vehicle		01.05 -> 12.05	Post cat Left	250-24491	
			Flex Fuel Vehicle		01.05 -> 12.05	Post cat Right	250-24492	
					12.06 -> 01.07	Pre cat Left	250-24703	
					12.06 -> 01.07	Pre cat Right	250-24703	
					12.06 -> 01.07	Post cat Left	250-24708	
					12.06 -> 01.07	Post cat Right	250-24708	
					01.07 -> 12.07	Pre cat Left	250-24470	
					01.07 -> 12.07	Pre cat Right	250-24470	
				01.07 -> 12.07	Post cat Left	250-24267		
				01.07 -> 12.07	Post cat Right	250-24267		
				01.08 -> 12.08	Pre cat Left	250-24470		
				01.08 -> 12.08	Pre cat Right	250-24470		
				01.08 -> 12.08	Post cat Left	250-24736		
				01.08 -> 12.08	Post cat Right	250-24736		
				01.06 -> 12.07	Pre cat Left	250-24491		
				01.06 -> 12.07	Pre cat Right	250-24491		
				01.06 -> 12.07	Post cat Left	250-24267		
				01.06 -> 12.07	Post cat Right	250-24267		
				01.07 -> 12.07	Pre cat Left	250-24470		
				01.07 -> 12.07	Pre cat Right	250-24470		
				01.07 -> 12.07	Post cat Left	250-24267		
				01.07 -> 12.07	Post cat Right	250-24267		
				01.08 -> 12.08	Pre cat Left	250-24470		
				01.08 -> 12.08	Pre cat Right	250-24470		
				01.08 -> 12.08	Post cat Left	250-24736		
				01.08 -> 12.08	Post cat Right	250-24736		



Model / Liter	Body Code	Engine kW	Engine Code	Application Identifier Engine or Chassis	Year From→ To	Position	Walker Direct Fit
<b>CHEVROLET (cont'd)</b>							
<b>SILVERADO 1500 HD</b>							
6.0					01.01 -> 12.01	Pre cat Left	250-24248
					01.01 -> 12.01	Pre cat Right	250-24248
					01.01 -> 12.01	Post cat Left	250-24202
					01.01 -> 12.01	Post cat Right	250-24018
					01.02 -> 12.02	Pre cat Left	250-24248
					01.02 -> 12.02	Pre cat Right	250-24248
					01.02 -> 12.02	Post cat Left	250-24202
					01.02 -> 12.02	Post cat Right	250-24018
<b>SILVERADO 2500</b>							
6.0					01.99 -> 12.00	Pre cat Left	250-24019
					01.99 -> 12.00	Pre cat Right	250-24019
					01.99 -> 12.00	Post cat Left	250-24202
					01.99 -> 12.00	Post cat Right	250-24018
					01.01 -> 12.01	Pre cat Left	250-24248
					01.01 -> 12.01	Pre cat Right	250-24248
					01.01 -> 12.01	Post cat Left	250-24202
					01.01 -> 12.01	Post cat Right	250-24018
					01.02 -> 12.02	Pre cat Left	250-24248
					01.02 -> 12.02	Pre cat Right	250-24248
					01.02 -> 12.02	Post cat Left	250-24488
					01.02 -> 12.02	Post cat Right	250-24267
<b>SILVERADO 2500 HD</b>							
6.0					01.01 -> 12.02	Pre cat Left	250-24019
					01.01 -> 12.02	Pre cat Right	250-24019
					01.01 -> 12.02	Post cat Left	250-24202
					01.01 -> 12.02	Post cat Right	250-24018
					01.02 -> 12.02	Pre cat Left	250-24248
					01.02 -> 12.02	Pre cat Right	250-24248
					01.02 -> 12.02	Post cat Left	250-24488
					01.02 -> 12.02	Post cat Right	250-24267
					01.03 -> 12.03	Pre cat Left	250-24491
					01.03 -> 12.03	Pre cat Right	250-24491
					01.03 -> 12.03	Post cat Left	250-24267
					01.03 -> 12.03	Post cat Right	250-24267
					01.04 -> 12.07	Pre cat Left	250-24491
					01.04 -> 12.07	Pre cat Right	250-24491
					01.04 -> 12.07	Post cat Left	250-24488
					01.04 -> 12.07	Post cat Right	250-24267
					01.07 -> 12.07	Pre cat Left	250-24491
					01.07 -> 12.07	Pre cat Right	250-24491
					01.07 -> 12.07	Post cat Left	250-24488
					01.07 -> 12.07	Post cat Right	250-24267
					01.07 -> 12.07	Pre cat Left	250-24470
					01.07 -> 12.07	Pre cat Right	250-24470
					01.07 -> 12.07	Post cat Left	250-24267
					01.07 -> 12.07	Post cat Right	250-24267
					01.08 -> 12.08	Pre cat Left	250-24491
					01.08 -> 12.08	Pre cat Right	250-24491
					01.08 -> 12.08	Post cat Left	250-24728
					01.08 -> 12.08	Post cat Right	250-24736
					01.08 -> 12.08	Pre cat Left	250-24470
					01.08 -> 12.08	Pre cat Right	250-24470
				01.08 -> 12.08	Post cat Left	250-24736	
				01.08 -> 12.08	Post cat Right	250-24736	
8.1					01.01 -> 12.02	Pre cat Left	250-24248
					01.01 -> 12.02	Pre cat Right	250-24248
					01.01 -> 12.02	Post cat Left	250-24274
					01.01 -> 12.02	Post cat Right	250-24248
					01.03 -> 12.07	Pre cat Left	250-24491
					01.03 -> 12.07	Pre cat Right	250-24491
					01.03 -> 12.07	Post cat Left	250-24492
					01.03 -> 12.07	Post cat Right	250-24491
<b>SILVERADO 3500</b>							
6.0					01.01 -> 12.01	Pre cat Left	250-24248
					01.01 -> 12.01	Pre cat Right	250-24248
					01.01 -> 12.01	Post cat Left	250-24202
					01.01 -> 12.01	Post cat Right	250-24018





Model / Liter	Body Code	Engine kW	Engine Code	Application Identifier Engine or Chassis	Year From→To	Position	Walker Direct Fit
<b>CHEVROLET (cont'd)</b>							
<b>SILVERADO 3500 (cont'd)</b>							
6.0					01.02 -> 12.02	Pre cat Left	250-24488
					01.02 -> 12.02	Pre cat Right	250-24267
					01.02 -> 12.02	Post cat Left	250-24248
					01.02 -> 12.02	Post cat Right	250-24248
					01.03 -> 12.03	Pre cat Left	250-24267
					01.03 -> 12.03	Pre cat Right	250-24267
					01.03 -> 12.03	Post cat Left	250-24491
					01.03 -> 12.03	Post cat Right	250-24491
					01.04 -> 12.06	Pre cat Left	250-24491
					01.04 -> 12.06	Pre cat Right	250-24491
					01.04 -> 12.06	Post cat Left	250-24488
					01.04 -> 12.06	Post cat Right	250-24267
					01.07 -> 12.07	Pre cat Left	250-24491
					01.07 -> 12.07	Pre cat Right	250-24491
					01.07 -> 12.07	Post cat Left	250-24488
					01.07 -> 12.07	Post cat Right	250-24267
8.1					01.01 -> 12.02	Pre cat Left	250-24248
					01.01 -> 12.02	Pre cat Right	250-24248
					01.01 -> 12.02	Post cat Left	250-24274
					01.01 -> 12.02	Post cat Right	250-24248
					01.03 -> 12.07	Pre cat Left	250-24491
					01.03 -> 12.07	Pre cat Right	250-24491
					01.03 -> 12.07	Post cat Left	250-24492
					01.03 -> 12.07	Post cat Right	250-24491
<b>SILVERADO 3500 HD</b>							
6.0				Cab & Chassis	01.07 -> 12.07	Pre cat Left	250-24491
				Cab & Chassis	01.07 -> 12.07	Pre cat Right	250-24491
				Cab & Chassis	01.07 -> 12.07	Post cat Left	250-24488
				Cab & Chassis	01.07 -> 12.07	Post cat Right	250-24267
				Exc. Cab & Chassis	01.07 -> 12.07	Pre cat Left	250-24470
				Exc. Cab & Chassis	01.07 -> 12.07	Pre cat Right	250-24470
				Exc. Cab & Chassis	01.07 -> 12.07	Post cat Left	250-24267
				Exc. Cab & Chassis	01.07 -> 12.07	Post cat Right	250-24267
				Cab & Chassis	01.08 -> 12.08	Pre cat Left	250-24491
				Cab & Chassis	01.08 -> 12.08	Pre cat Right	250-24491
				Cab & Chassis	01.08 -> 12.08	Post cat Left	250-24728
				Cab & Chassis	01.08 -> 12.08	Post cat Right	250-24736
				Exc. Cab & Chassis	01.08 -> 12.08	Pre cat Left	250-24470
				Exc. Cab & Chassis	01.08 -> 12.08	Pre cat Right	250-24470
				Exc. Cab & Chassis	01.08 -> 12.08	Post cat Left	250-24736
				Exc. Cab & Chassis	01.08 -> 12.08	Post cat Right	250-24736
<b>SUBURBAN 1500</b>							
5.3					01.00 -> 12.02	Pre cat Left	250-24012
					01.00 -> 12.02	Pre cat Right	250-24012
					01.00 -> 12.02	Post cat Left	250-24018
					01.00 -> 12.02	Post cat Right	250-24018
					01.03 -> 12.05	Pre cat Left	250-24470
					01.03 -> 12.05	Pre cat Right	250-24470
					01.03 -> 12.05	Post cat Left	250-24470
					01.03 -> 12.05	Post cat Right	250-24470
			L59	Flex Fuel Vehicle	01.06 -> 12.06	Pre cat Left	250-24703
			L59	Flex Fuel Vehicle	01.06 -> 12.06	Pre cat Right	250-24703
			L59	Flex Fuel Vehicle	01.06 -> 12.06	Post cat Left	250-24708
			L59	Flex Fuel Vehicle	01.06 -> 12.06	Post cat Right	250-24708
					01.07 -> 12.07	Pre cat Left	250-24703
					01.07 -> 12.07	Pre cat Right	250-24703
					01.07 -> 12.07	Post cat Left	250-24355
					01.07 -> 12.07	Post cat Right	250-24355
					01.08 -> 12.08	Pre cat Left	250-24470
					01.08 -> 12.08	Pre cat Right	250-24470
					01.08 -> 12.08	Post cat Left	250-24736
					01.08 -> 12.08	Post cat Right	250-24736
6.0					01.06 -> 12.06	Pre cat Left	250-24491
					01.06 -> 12.06	Pre cat Right	250-24491
					01.06 -> 12.06	Post cat Left	250-24267
					01.06 -> 12.06	Post cat Right	250-24267



Model / Liter	Body Code	Engine kW	Engine Code	Application Identifier Engine or Chassis	Year From→ To	Position	Walker Direct Fit	
<b>CHEVROLET (cont'd)</b>								
<b>SUBURBAN 1500 (cont'd)</b>								
6.0		L76	LT Model		01.07 -> 12.07	Pre cat Left	250-24703	
		L76	LT Model		01.07 -> 12.07	Pre cat Right	250-24703	
		L76	LT Model		01.07 -> 12.07	Post cat Left	250-24355	
		L76	LT Model		01.07 -> 12.07	Post cat Right	250-24355	
					01.08 -> 12.08	Pre cat Left	250-24470	
					01.08 -> 12.08	Pre cat Right	250-24470	
					01.08 -> 12.08	Post cat Left	250-24736	
					01.08 -> 12.08	Post cat Right	250-24736	
<b>SUBURBAN 2500</b>								
6.0					01.00 -> 12.00	Pre cat Left	250-24019	
					01.00 -> 12.00	Pre cat Right	250-24019	
					01.00 -> 12.00	Post cat Left	250-24012	
					01.00 -> 12.00	Post cat Right	250-24012	
					01.01 -> 12.01	Pre cat Left	250-24248	
					01.01 -> 12.01	Pre cat Right	250-24248	
					01.01 -> 12.01	Post cat Left	250-24202	
					01.01 -> 12.01	Post cat Right	250-24018	
					01.02 -> 12.02	Pre cat Left	250-24248	
					01.02 -> 12.02	Pre cat Right	250-24248	
					01.02 -> 12.02	Post cat Left	250-24488	
					01.02 -> 12.02	Post cat Right	250-24267	
					01.03 -> 12.03	Pre cat Left	250-24491	
					01.03 -> 12.03	Pre cat Right	250-24491	
					01.03 -> 12.03	Post cat Left	250-24267	
					01.03 -> 12.03	Post cat Right	250-24267	
					01.04 -> 12.06	Pre cat Left	250-24491	
					01.04 -> 12.06	Pre cat Right	250-24491	
					01.04 -> 12.06	Post cat Left	250-24488	
					01.04 -> 12.06	Post cat Right	250-24267	
					01.07 -> 12.07	Pre cat Left	250-24703	
					01.07 -> 12.07	Pre cat Right	250-24703	
					01.07 -> 12.07	Post cat Left	250-24355	
					01.07 -> 12.07	Post cat Right	250-24355	
				01.08 -> 12.08	Pre cat Left	250-24470		
				01.08 -> 12.08	Pre cat Right	250-24470		
				01.08 -> 12.08	Post cat Left	250-24736		
				01.08 -> 12.08	Post cat Right	250-24736		
8.1					01.01 -> 12.02	Pre cat Left	250-24248	
					01.01 -> 12.02	Pre cat Right	250-24248	
					01.01 -> 12.02	Post cat Left	250-24274	
					01.01 -> 12.02	Post cat Right	250-24248	
					01.03 -> 12.06	Pre cat Left	250-24491	
					01.03 -> 12.06	Pre cat Right	250-24491	
					01.03 -> 12.06	Post cat Left	250-24492	
					01.03 -> 12.06	Post cat Right	250-24491	
	<b>SUBURBAN C1500</b>							
	5.7			Exc. Trans Code 4L60E		01.95 -> 12.95	Pre cat	250-21001
				Trans Code 4L60E		01.95 -> 12.95	Pre cat	250-23011
				A/T; w/ Electronic Trans		01.96 -> 12.99	Pre cat Left	250-24012
			A/T; w/ Electronic Trans		01.96 -> 12.99	Pre cat Right	250-24012	
			A/T; w/ Electronic Trans		01.96 -> 12.99	Post cat Left	250-24018	
			A/T; w/ Electronic Trans		01.96 -> 12.99	Post cat Right	250-24018	
			A/T; w/o Electronic Trans		01.96 -> 12.99	Pre cat Left	250-24019	
			A/T; w/o Electronic Trans		01.96 -> 12.99	Pre cat Right	250-24019	
			A/T; w/o Electronic Trans		01.96 -> 12.99	Post cat Left	250-24018	
			A/T; w/o Electronic Trans		01.96 -> 12.99	Post cat Right	250-24018	
			M/T		01.96 -> 12.99	Pre cat Left	250-24019	
			M/T		01.96 -> 12.99	Pre cat Right	250-24019	
			M/T		01.96 -> 12.99	Post cat Left	250-24018	
			M/T		01.96 -> 12.99	Post cat Right	250-24018	
<b>SUBURBAN C2500</b>								
5.7			Exc. Trans Code 4L60E		01.95 -> 12.95	Pre cat	250-21001	
			Trans Code 4L60E		01.95 -> 12.95	Pre cat	250-23011	
			A/T; w/ Electronic Trans		01.96 -> 12.99	Pre cat Left	250-24012	
			A/T; w/ Electronic Trans		01.96 -> 12.99	Pre cat Right	250-24012	
			A/T; w/ Electronic Trans		01.96 -> 12.99	Post cat Left	250-24018	
			A/T; w/ Electronic Trans		01.96 -> 12.99	Post cat Right	250-24018	



Model / Liter	Body Code	Engine kW	Engine Code	Application Identifier Engine or Chassis	Year From→To	Position	Walker Direct Fit	
<b>CHEVROLET (cont'd)</b>								
<b>SUBURBAN C2500 (cont'd)</b>								
5.7				A/T; w/o Electronic Trans	01.96 -> 12.99	Pre cat Left	250-24019	
				A/T; w/o Electronic Trans	01.96 -> 12.99	Pre cat Right	250-24019	
				A/T; w/o Electronic Trans	01.96 -> 12.99	Post cat Left	250-24018	
				A/T; w/o Electronic Trans	01.96 -> 12.99	Post cat Right	250-24018	
				M/T	01.96 -> 12.99	Pre cat Left	250-24019	
				M/T	01.96 -> 12.99	Pre cat Right	250-24019	
				M/T	01.96 -> 12.99	Post cat Left	250-24018	
				M/T	01.96 -> 12.99	Post cat Right	250-24018	
7.4					01.96 -> 12.99	Pre cat Left	250-24019	
					01.96 -> 12.99	Pre cat Right	250-24019	
					01.96 -> 12.99	Post cat Left	250-24018	
					01.96 -> 12.99	Post cat Right	250-24018	
<b>SUBURBAN K1500</b>								
5.7				A/T; w/ Electronic Trans	01.96 -> 12.99	Pre cat Left	250-24012	
				A/T; w/ Electronic Trans	01.96 -> 12.99	Pre cat Right	250-24012	
				A/T; w/ Electronic Trans	01.96 -> 12.99	Post cat Left	250-24018	
				A/T; w/ Electronic Trans	01.96 -> 12.99	Post cat Right	250-24018	
				A/T; w/o Electronic Trans	01.96 -> 12.99	Pre cat Left	250-24019	
				A/T; w/o Electronic Trans	01.96 -> 12.99	Pre cat Right	250-24019	
				A/T; w/o Electronic Trans	01.96 -> 12.99	Post cat Left	250-24018	
				A/T; w/o Electronic Trans	01.96 -> 12.99	Post cat Right	250-24018	
				Exc. Trans Code 4L60E	01.95 -> 12.95	Pre cat	250-21001	
				Trans Code 4L60E	01.95 -> 12.95	Pre cat	250-23011	
				M/T	01.96 -> 12.99	Pre cat Left	250-24019	
				M/T	01.96 -> 12.99	Pre cat Right	250-24019	
				M/T	01.96 -> 12.99	Post cat Left	250-24018	
				M/T	01.96 -> 12.99	Post cat Right	250-24018	
<b>SUBURBAN K2500</b>								
5.7				Exc. Trans Code 4L60E	01.95 -> 12.95	Pre cat	250-21001	
				Trans Code 4L60E	01.95 -> 12.95	Pre cat	250-23011	
				A/T; w/ Electronic Trans	01.96 -> 12.99	Pre cat Left	250-24012	
				A/T; w/ Electronic Trans	01.96 -> 12.99	Pre cat Right	250-24012	
				A/T; w/ Electronic Trans	01.96 -> 12.99	Post cat Left	250-24018	
				A/T; w/ Electronic Trans	01.96 -> 12.99	Post cat Right	250-24018	
				A/T; w/o Electronic Trans	01.96 -> 12.99	Pre cat Left	250-24019	
				A/T; w/o Electronic Trans	01.96 -> 12.99	Pre cat Right	250-24019	
				A/T; w/o Electronic Trans	01.96 -> 12.99	Post cat Left	250-24018	
				A/T; w/o Electronic Trans	01.96 -> 12.99	Post cat Right	250-24018	
				M/T	01.96 -> 12.99	Pre cat Left	250-24019	
				M/T	01.96 -> 12.99	Pre cat Right	250-24019	
				M/T	01.96 -> 12.99	Post cat Left	250-24018	
				M/T	01.96 -> 12.99	Post cat Right	250-24018	
	7.4					01.95 -> 12.95	Pre cat	250-21001
						01.96 -> 12.99	Pre cat Left	250-24019
					01.96 -> 12.99	Pre cat Right	250-24018	
					01.96 -> 12.99	Post cat Left	250-24018	
					01.96 -> 12.99	Post cat Right	250-24018	
<b>TAHOE</b>								
4.8					01.00 -> 12.02	Pre cat Left	250-24012	
					01.00 -> 12.02	Pre cat Right	250-24012	
					01.00 -> 12.02	Post cat Left	250-24018	
					01.00 -> 12.02	Post cat Right	250-24018	
					01.03 -> 12.03	Pre cat Left	250-24267	
					01.03 -> 12.03	Pre cat Right	250-24267	
					01.03 -> 12.03	Post cat Left	250-24267	
					01.03 -> 12.03	Post cat Right	250-24267	
					01.04 -> 12.05	Pre cat Left	250-24491	
					01.04 -> 12.05	Pre cat Right	250-24491	
					01.04 -> 12.05	Post cat Left	250-24267	
					01.04 -> 12.05	Post cat Right	250-24267	
					01.06 -> 12.07	Pre cat Left	250-24703	
					01.06 -> 12.07	Pre cat Right	250-24703	
					01.06 -> 12.07	Post cat Left	250-24355	
					01.06 -> 12.07	Post cat Right	250-24355	
5.3					01.00 -> 12.02	Pre cat Left	250-24012	
					01.00 -> 12.02	Pre cat Right	250-24012	
					01.00 -> 12.02	Post cat Left	250-24018	
					01.00 -> 12.02	Post cat Right	250-24018	



Model / Liter	Body Code	Engine kW	Engine Code	Application Identifier Engine or Chassis	Year From→ To	Position	Walker Direct Fit	
<b>CHEVROLET (cont'd)</b>								
<b>TAHOE (cont'd)</b>								
5.3				Flex Fuel Vehicle	01.02 -> 12.02	Pre cat	Left	250-24269
				Flex Fuel Vehicle	01.02 -> 12.02	Pre cat	Right	250-24269
				Flex Fuel Vehicle	01.02 -> 12.02	Post cat	Left	250-24269
				Flex Fuel Vehicle	01.02 -> 12.02	Post cat	Right	250-24269
					01.03 -> 12.05	Pre cat	Left	250-24470
					01.03 -> 12.05	Pre cat	Right	250-24470
					01.03 -> 12.05	Post cat	Left	250-24470
					01.03 -> 12.05	Post cat	Right	250-24470
					01.06 -> 12.06	Pre cat	Left	250-24703
					01.06 -> 12.06	Pre cat	Right	250-24703
					01.06 -> 12.06	Post cat	Left	250-24708
					01.06 -> 12.06	Post cat	Right	250-24708
			LMG		01.07 -> 12.07	Pre cat	Left	250-24703
			LMG		01.07 -> 12.07	Pre cat	Right	250-24703
			LMG		01.07 -> 12.07	Post cat	Left	250-24355
			LMG		01.07 -> 12.07	Post cat	Right	250-24355
			LMG		01.08 -> 12.08	Pre cat	Left	250-24470
			LMG		01.08 -> 12.08	Pre cat	Right	250-24470
			LMG		01.08 -> 12.08	Post cat	Left	250-24736
			LMG		01.08 -> 12.08	Post cat	Right	250-24736
6.0			LFA	HYBRID Model	01.08 -> 12.08	Pre cat	Left	250-24470
			LFA	HYBRID Model	01.08 -> 12.08	Pre cat	Right	250-24470
			LFA	HYBRID Model	01.08 -> 12.08	Post cat	Left	250-24736
			LFA	HYBRID Model	01.08 -> 12.08	Post cat	Right	250-24736
<b>TRACKER</b>								
1.6					01.98 -> 12.98	Pre cat		250-24338
					01.98 -> 12.98	Post cat		250-24189
					01.99 -> 12.00	Pre cat		250-24338
					01.99 -> 12.00	Post cat		250-24189
2.0					01.99 -> 12.00	Pre cat		250-24338
					01.99 -> 12.00	Post cat		250-24189
					01.01 -> 12.03	Pre cat		250-24049
					01.01 -> 12.03	Post cat		250-24336
2.5					01.01 -> 12.04	Pre cat	Left	250-24372
					01.01 -> 12.04	Pre cat	Right	250-24372
					01.01 -> 12.04	Post cat		• 250-24333
<b>TRAILBLAZER</b>								
4.2					01.02 -> 12.03	Pre cat		250-24355
					01.02 -> 12.03	Post cat		250-24339
					01.04 -> 12.05	Pre cat		250-24654
					01.04 -> 12.05	Post cat		250-24339
					01.06 -> 12.06	Pre cat		250-24698
					01.06 -> 12.06	Post cat		250-24703
					01.07 -> 12.08	Pre cat		250-24698
					01.07 -> 12.08	Post cat		250-24708
5.3					01.03 -> 12.04	Pre cat	Left	250-24269
					01.03 -> 12.04	Pre cat	Right	250-24269
					01.03 -> 12.04	Post cat	Left	250-24267
					01.03 -> 12.04	Post cat	Right	250-24267
					01.05 -> 12.05	Pre cat	Left	250-24470
					01.05 -> 12.05	Pre cat	Right	250-24470
					01.05 -> 12.05	Post cat	Left	250-24267
					01.05 -> 12.05	Post cat	Right	250-24267
				1st Design Exhaust	01.06 -> 12.06	Pre cat	Left	250-24704
				1st Design Exhaust	01.06 -> 12.06	Pre cat	Right	250-24704
				1st Design Exhaust	01.06 -> 12.06	Post cat	Left	250-24339
				1st Design Exhaust	01.06 -> 12.06	Post cat	Right	250-24339
				2nd Design Exhaust	01.06 -> 12.06	Pre cat	Left	250-24704
				2nd Design Exhaust	01.06 -> 12.06	Pre cat	Right	250-24704
				2nd Design Exhaust	01.06 -> 12.06	Post cat	Left	250-24649
				2nd Design Exhaust	01.06 -> 12.06	Post cat	Right	250-24649
					01.07 -> 12.07	Pre cat	Left	250-24704
					01.07 -> 12.07	Pre cat	Right	250-24704
					01.07 -> 12.07	Post cat	Left	250-24649
					01.07 -> 12.07	Post cat	Right	250-24649
					01.08 -> 12.08	Pre cat	Left	250-24704
					01.08 -> 12.08	Pre cat	Right	250-24704
					01.08 -> 12.08	Post cat	Left	250-24703
					01.08 -> 12.08	Post cat	Right	250-24491





Model / Liter	Body Code	Engine kW	Engine Code	Application Identifier Engine or Chassis	Year From→To	Position	Walker Direct Fit
<b>CHEVROLET (cont'd)</b>							
<b>TRAILBLAZER (cont'd)</b>							
6.0				SS Model; 1st Design Exhaust	01.06 -> 12.06	Pre cat Left	250-24704
				SS Model; 1st Design Exhaust	01.06 -> 12.06	Pre cat Right	250-24704
				SS Model; 1st Design Exhaust	01.06 -> 12.06	Post cat Left	250-24339
				SS Model; 1st Design Exhaust	01.06 -> 12.06	Post cat Right	250-24339
				SS Model; 2nd Design Exhaust	01.06 -> 12.06	Pre cat Left	250-24704
				SS Model; 2nd Design Exhaust	01.06 -> 12.06	Pre cat Right	250-24704
				SS Model; 2nd Design Exhaust	01.06 -> 12.06	Post cat Left	250-24649
				SS Model; 2nd Design Exhaust	01.06 -> 12.06	Post cat Right	250-24649
				SS Model	01.07 -> 12.07	Pre cat Left	250-24704
				SS Model	01.07 -> 12.07	Pre cat Right	250-24704
				SS Model	01.07 -> 12.07	Post cat Left	250-24649
				SS Model	01.07 -> 12.07	Post cat Right	250-24649
				SS Model	01.08 -> 12.08	Pre cat Left	250-24704
				SS Model	01.08 -> 12.08	Pre cat Right	250-24704
				SS Model	01.08 -> 12.08	Post cat Left	250-24703
				SS Model	01.08 -> 12.08	Post cat Right	250-24491
<b>UPLANDER</b>							
3.5					01.05 -> 12.06	Pre cat	250-24470
					01.05 -> 12.06	Post cat	250-24267
3.9					01.06 -> 12.07	Pre cat	250-24470
					01.06 -> 12.07	Post cat	250-24267
					01.08 -> 12.08	Pre cat	250-24470
					01.08 -> 12.08	Post cat	250-24736
<b>VAN EXPRESS 1500</b>							
4.3					01.96 -> 12.97	Pre cat Left	250-24012
					01.96 -> 12.97	Pre cat Right	250-24012
					01.96 -> 12.97	Post cat Left	250-24018
					01.96 -> 12.97	Post cat Right	250-24018
					01.98 -> 12.02	Pre cat Left	250-24012
					01.98 -> 12.02	Pre cat Right	250-24012
					01.98 -> 12.02	Post cat	•250-24018
				1st Design Exhaust	01.03 -> 12.03	Pre cat Left	250-24267
				1st Design Exhaust	01.03 -> 12.03	Pre cat Right	250-24267
				1st Design Exhaust	01.03 -> 12.03	Post cat Left	250-24267
				1st Design Exhaust	01.03 -> 12.03	Post cat Right	250-24267
				2nd Design Exhaust	01.03 -> 12.03	Pre cat Left	250-24267
				2nd Design Exhaust	01.03 -> 12.03	Pre cat Right	250-24339
				2nd Design Exhaust	01.03 -> 12.03	Post cat Left	250-24267
				2nd Design Exhaust	01.03 -> 12.03	Post cat Right	250-24339
					01.04 -> 12.06	Pre cat Left	250-24267
					01.04 -> 12.06	Pre cat Right	250-24339
					01.04 -> 12.06	Post cat Left	250-24267
					01.04 -> 12.06	Post cat Right	250-24339
					01.07 -> 12.07	Pre cat Left	250-24708
					01.07 -> 12.07	Pre cat Right	250-24708
					01.07 -> 12.07	Post cat Left	250-24649
					01.07 -> 12.07	Post cat Right	250-24649
					01.08 -> 12.08	Pre cat Left	250-24708
					01.08 -> 12.08	Pre cat Right	250-24708
					01.08 -> 12.08	Post cat Left	250-24491
					01.08 -> 12.08	Post cat Right	250-24491
5.0					01.96 -> 12.02	Pre cat Left	250-24012
					01.96 -> 12.02	Pre cat Right	250-24012
					01.96 -> 12.02	Post cat Left	250-24018
					01.96 -> 12.02	Post cat Right	250-24018
5.3				1st Design Exhaust	01.03 -> 12.03	Pre cat Left	250-24267
				1st Design Exhaust	01.03 -> 12.03	Pre cat Right	250-24267
				1st Design Exhaust	01.03 -> 12.03	Post cat Left	250-24267
				1st Design Exhaust	01.03 -> 12.03	Post cat Right	250-24267
				2nd Design Exhaust	01.03 -> 12.03	Pre cat Left	250-24267
				2nd Design Exhaust	01.03 -> 12.03	Pre cat Right	250-24339
				2nd Design Exhaust	01.03 -> 12.03	Post cat Left	250-24267
				2nd Design Exhaust	01.03 -> 12.03	Post cat Right	250-24339
					01.04 -> 12.06	Pre cat Left	250-24267
					01.04 -> 12.06	Pre cat Right	250-24339
					01.04 -> 12.06	Post cat Left	250-24267
					01.04 -> 12.06	Post cat Right	250-24339



Model / Liter	Body Code	Engine kW	Engine Code	Application Identifier Engine or Chassis	Year From→ To	Position	Walker Direct Fit
<b>CHEVROLET (cont'd)</b>							
<b>VAN EXPRESS 1500 (cont'd)</b>							
5.3			L59		01.07 -> 12.07	Pre cat Left	250-24267
			L59		01.07 -> 12.07	Pre cat Right	250-24339
			L59		01.07 -> 12.07	Post cat Left	250-24267
			L59		01.07 -> 12.07	Post cat Right	250-24339
			LMF		01.08 -> 12.08	Pre cat Left	250-24708
			LMF		01.08 -> 12.08	Pre cat Right	250-24708
			LMF		01.08 -> 12.08	Post cat Left	250-24491
			LMF		01.08 -> 12.08	Post cat Right	250-24491
5.7				w/ Electronic Trans	01.96 -> 12.98	Pre cat Left	250-24012
				w/ Electronic Trans	01.96 -> 12.98	Pre cat Right	250-24012
				w/ Electronic Trans	01.96 -> 12.98	Post cat Left	250-24018
				w/ Electronic Trans	01.96 -> 12.98	Post cat Right	250-24018
				w/o Electronic Trans	01.96 -> 12.98	Pre cat Left	250-24019
				w/o Electronic Trans	01.96 -> 12.98	Pre cat Right	250-24019
				w/o Electronic Trans	01.96 -> 12.98	Post cat Left	250-24018
				w/o Electronic Trans	01.96 -> 12.98	Post cat Right	250-24018
					01.99 -> 12.02	Pre cat Left	250-24012
					01.99 -> 12.02	Pre cat Right	250-24012
					01.99 -> 12.02	Post cat Left	250-24018
					01.99 -> 12.02	Post cat Right	250-24018
<b>VAN EXPRESS 2500</b>							
4.3				1st Design Exhaust	01.03 -> 12.03	Pre cat Left	250-24267
				1st Design Exhaust	01.03 -> 12.03	Pre cat Right	250-24267
				1st Design Exhaust	01.03 -> 12.03	Post cat Left	250-24267
				1st Design Exhaust	01.03 -> 12.03	Post cat Right	250-24267
				2nd Design Exhaust	01.03 -> 12.03	Pre cat Left	250-24267
				2nd Design Exhaust	01.03 -> 12.03	Pre cat Right	250-24339
				2nd Design Exhaust	01.03 -> 12.03	Post cat Left	250-24267
				2nd Design Exhaust	01.03 -> 12.03	Post cat Right	250-24339
					01.04 -> 12.05	Pre cat Left	250-24267
					01.04 -> 12.05	Pre cat Right	250-24339
					01.04 -> 12.05	Post cat Left	250-24267
					01.04 -> 12.05	Post cat Right	250-24339
				GVW Over 8500 lbs.	01.96 -> 12.02	Pre cat Left	250-24019
				GVW Over 8500 lbs.	01.96 -> 12.02	Pre cat Right	250-24019
				GVW Over 8500 lbs.	01.96 -> 12.02	Post cat Left	250-24018
				GVW Over 8500 lbs.	01.96 -> 12.02	Post cat Right	250-24018
				GVW Under 8500 lbs.	01.96 -> 12.02	Pre cat Left	250-24012
				GVW Under 8500 lbs.	01.96 -> 12.02	Pre cat Right	250-24012
				GVW Under 8500 lbs.	01.96 -> 12.02	Post cat Left	250-24018
				GVW Under 8500 lbs.	01.96 -> 12.02	Post cat Right	250-24018
4.8				1st Design Exhaust	01.03 -> 12.03	Pre cat Left	250-24267
				1st Design Exhaust	01.03 -> 12.03	Pre cat Right	250-24267
				1st Design Exhaust	01.03 -> 12.03	Post cat Left	250-24267
				1st Design Exhaust	01.03 -> 12.03	Post cat Right	250-24267
				2nd Design Exhaust	01.03 -> 12.03	Pre cat Left	250-24267
				2nd Design Exhaust	01.03 -> 12.03	Pre cat Right	250-24339
				2nd Design Exhaust	01.03 -> 12.03	Post cat Left	250-24267
				2nd Design Exhaust	01.03 -> 12.03	Post cat Right	250-24339
					01.04 -> 12.07	Pre cat Left	250-24267
					01.04 -> 12.07	Pre cat Right	250-24339
					01.04 -> 12.07	Post cat Left	250-24267
					01.04 -> 12.07	Post cat Right	250-24339
					01.08 -> 12.08	Pre cat Left	250-24708
					01.08 -> 12.08	Pre cat Right	250-24708
					01.08 -> 12.08	Post cat Left	250-24491
					01.08 -> 12.08	Post cat Right	250-24491
5.0					01.96 -> 12.02	Pre cat Left	250-24012
					01.96 -> 12.02	Pre cat Right	250-24012
					01.96 -> 12.02	Post cat Left	250-24018
					01.96 -> 12.02	Post cat Right	250-24018
5.3				1st Design Exhaust	01.03 -> 12.03	Pre cat Left	250-24267
				1st Design Exhaust	01.03 -> 12.03	Pre cat Right	250-24267
				1st Design Exhaust	01.03 -> 12.03	Post cat Left	250-24267
				1st Design Exhaust	01.03 -> 12.03	Post cat Right	250-24267
				2nd Design Exhaust	01.03 -> 12.03	Pre cat Left	250-24267
				2nd Design Exhaust	01.03 -> 12.03	Pre cat Right	250-24339
				2nd Design Exhaust	01.03 -> 12.03	Post cat Left	250-24267
				2nd Design Exhaust	01.03 -> 12.03	Post cat Right	250-24339



Model / Liter	Body Code	Engine kW	Engine Code	Application Identifier Engine or Chassis	Year From→To	Position	Walker Direct Fit	
<b>CHEVROLET (cont'd)</b>								
<b>VAN EXPRESS 2500 (cont'd)</b>								
5.3					01.04 -> 12.05	Pre cat Left	250-24267	
					01.04 -> 12.05	Pre cat Right	250-24339	
					01.04 -> 12.05	Post cat Left	250-24267	
					01.04 -> 12.05	Post cat Right	250-24339	
5.7				GVW Over 8500 lbs.	01.96 -> 12.02	Pre cat Left	250-24019	
				GVW Over 8500 lbs.	01.96 -> 12.02	Pre cat Right	250-24019	
				GVW Over 8500 lbs.	01.96 -> 12.02	Post cat Left	250-24018	
				GVW Over 8500 lbs.	01.96 -> 12.02	Post cat Right	250-24018	
				GVW Under 8500 lbs.	01.96 -> 12.02	Pre cat Left	250-24012	
				GVW Under 8500 lbs.	01.96 -> 12.02	Pre cat Right	250-24012	
				GVW Under 8500 lbs.	01.96 -> 12.02	Post cat Left	250-24018	
				GVW Under 8500 lbs.	01.96 -> 12.02	Post cat Right	250-24018	
6.0					01.04 -> 12.07	Pre cat Left	250-24267	
					01.04 -> 12.07	Pre cat Right	250-24339	
					01.04 -> 12.07	Post cat Left	250-24267	
					01.04 -> 12.07	Post cat Right	250-24339	
					01.08 -> 12.08	Pre cat Left	250-24708	
					01.08 -> 12.08	Pre cat Right	250-24708	
					01.08 -> 12.08	Post cat Left	250-24491	
					01.08 -> 12.08	Post cat Right	250-24491	
	<b>VAN EXPRESS 3500</b>							
	4.8					01.05 -> 12.07	Pre cat Left	250-24267
					01.05 -> 12.07	Pre cat Right	250-24339	
					01.05 -> 12.07	Post cat Left	250-24267	
					01.05 -> 12.07	Post cat Right	250-24339	
					01.08 -> 12.08	Pre cat Left	250-24708	
					01.08 -> 12.08	Pre cat Right	250-24708	
					01.08 -> 12.08	Post cat Left	250-24491	
					01.08 -> 12.08	Post cat Right	250-24491	
5.7					w/ Electronic Trans	01.96 -> 12.98	Pre cat Left	250-24012
					w/ Electronic Trans	01.96 -> 12.98	Pre cat Right	250-24012
				w/ Electronic Trans	01.96 -> 12.98	Post cat Left	250-24018	
				w/ Electronic Trans	01.96 -> 12.98	Post cat Right	250-24018	
				w/o Electronic Trans	01.96 -> 12.98	Pre cat Left	250-24019	
				w/o Electronic Trans	01.96 -> 12.98	Pre cat Right	250-24019	
				w/o Electronic Trans	01.96 -> 12.98	Post cat Left	250-24018	
				w/o Electronic Trans	01.96 -> 12.98	Post cat Right	250-24018	
					01.99 -> 12.02	Pre cat Left	250-24019	
					01.99 -> 12.02	Pre cat Right	250-24019	
					01.99 -> 12.02	Post cat Left	250-24018	
					01.99 -> 12.02	Post cat Right	250-24018	
	6.0				1st Design Exhaust	01.03 -> 12.03	Pre cat Left	250-24267
					1st Design Exhaust	01.03 -> 12.03	Pre cat Right	250-24267
				1st Design Exhaust	01.03 -> 12.03	Post cat Left	250-24267	
				1st Design Exhaust	01.03 -> 12.03	Post cat Right	250-24267	
				2nd Design Exhaust	01.03 -> 12.03	Pre cat Left	250-24267	
				2nd Design Exhaust	01.03 -> 12.03	Pre cat Right	250-24339	
				2nd Design Exhaust	01.03 -> 12.03	Post cat Left	250-24267	
				2nd Design Exhaust	01.03 -> 12.03	Post cat Right	250-24339	
					01.04 -> 12.07	Pre cat Left	250-24267	
					01.04 -> 12.07	Pre cat Right	250-24339	
					01.04 -> 12.07	Post cat Left	250-24267	
					01.04 -> 12.07	Post cat Right	250-24339	
					01.08 -> 12.08	Pre cat Left	250-24708	
					01.08 -> 12.08	Pre cat Right	250-24708	
					01.08 -> 12.08	Post cat Left	250-24491	
					01.08 -> 12.08	Post cat Right	250-24491	
				Cut-away Chassis	01.08 -> 12.08	Pre cat Left	250-24492	
				Cut-away Chassis	01.08 -> 12.08	Pre cat Right	250-24492	
				Cut-away Chassis	01.08 -> 12.08	Post cat Left	250-24491	
				Cut-away Chassis	01.08 -> 12.08	Post cat Right	250-24491	
			Exc. Cut-away Chassis	01.08 -> 12.08	Pre cat Left	250-24708		
			Exc. Cut-away Chassis	01.08 -> 12.08	Pre cat Right	250-24708		
			Exc. Cut-away Chassis	01.08 -> 12.08	Post cat Left	250-24491		
			Exc. Cut-away Chassis	01.08 -> 12.08	Post cat Right	250-24491		
7.4					01.96 -> 12.99	Pre cat Left	250-24019	
					01.96 -> 12.99	Pre cat Right	250-24019	
					01.96 -> 12.99	Post cat Left	250-24018	
					01.96 -> 12.99	Post cat Right	250-24018	



Model / Liter	Body Code	kW	Engine Code	Application Identifier Engine or Chassis	Year From→ To	Position	Walker Direct Fit
<b>CHEVROLET (cont'd)</b>							
<b>VAN EXPRESS 3500 (cont'd)</b>							
8.1					01.00 -> 12.02	Pre cat Left	250-24248
					01.00 -> 12.02	Pre cat Right	250-24248
					01.00 -> 12.02	Post cat Left	250-24248
					01.00 -> 12.02	Post cat Right	250-24248
<b>VAN G30</b>							
4.3					01.96 -> 12.96	Pre cat Left	250-23011
					01.96 -> 12.96	Pre cat Right	250-23011
					01.96 -> 12.96	Post cat Left	250-24018
					01.96 -> 12.96	Post cat Right	250-24018
5.7			w/ Electronic Trans		01.97 -> 12.97	Pre cat Left	250-24012
			w/ Electronic Trans		01.97 -> 12.97	Pre cat Right	250-24012
			w/ Electronic Trans		01.97 -> 12.97	Post cat Left	250-24018
			w/ Electronic Trans		01.97 -> 12.97	Post cat Right	250-24018
			w/o Electronic Trans		01.97 -> 12.97	Pre cat Left	250-24019
			w/o Electronic Trans		01.97 -> 12.97	Pre cat Right	250-24019
			w/o Electronic Trans		01.97 -> 12.97	Post cat Left	250-24018
			w/o Electronic Trans		01.97 -> 12.97	Post cat Right	250-24018
7.4					01.96 -> 12.96	Pre cat Left	250-24019
					01.96 -> 12.96	Pre cat Right	250-24019
					01.96 -> 12.96	Post cat Left	250-24018
					01.96 -> 12.96	Post cat Right	250-24018
					01.97 -> 12.97	Pre cat Left	250-24019
					01.97 -> 12.97	Pre cat Right	250-24019
					01.97 -> 12.97	Post cat Left	250-24018
					01.97 -> 12.97	Post cat Right	250-24018
<b>VENTURE</b>							
3.4					01.97 -> 12.01	Pre cat	250-24018
					01.97 -> 12.01	Post cat	250-24340
					01.02 -> 12.04	Pre cat	250-24269
					01.02 -> 12.04	Post cat	250-24340
					01.05 -> 12.05	Pre cat	250-24269
					01.05 -> 12.05	Post cat	250-24267
<b>CHRYSLER</b>							
<b>300</b>							
2.7	EER				01.05 -> 12.07	Pre cat Left	250-24253
					01.05 -> 12.07	Pre cat Right	250-24253
					01.05 -> 12.07	Post cat Left	250-24253
					01.05 -> 12.07	Post cat Right	250-24253
2.7					01.08 -> 12.08	Pre cat Left	250-24253
					01.08 -> 12.08	Pre cat Right	250-24253
					01.08 -> 12.08	Post cat Left	250-24253
					01.08 -> 12.08	Post cat Right	250-24460
3.5					01.05 -> 12.06	Pre cat Left	250-24253
					01.05 -> 12.06	Pre cat Right	250-24253
					01.05 -> 12.06	Post cat Left	250-24253
					01.05 -> 12.06	Post cat Right	250-24253
					01.07 -> 12.07	Pre cat Left	250-24253
					01.07 -> 12.07	Pre cat Right	250-24253
					01.07 -> 12.07	Post cat Left	250-24253
					01.07 -> 12.07	Post cat Right	250-24253
					01.08 -> 12.08	Pre cat Left	250-24253
					01.08 -> 12.08	Pre cat Right	250-24253
					01.08 -> 12.08	Post cat Left	250-24253
					01.08 -> 12.08	Post cat Right	250-24253
5.7					01.05 -> 12.06	Pre cat Left	250-24680
					01.05 -> 12.06	Pre cat Right	250-24680
					01.05 -> 12.06	Post cat Left	250-24253
					01.05 -> 12.06	Post cat Right	250-24460
					01.07 -> 12.07	Pre cat Left	250-24253
					01.07 -> 12.07	Pre cat Right	250-24253
					01.07 -> 12.07	Post cat Left	250-24253
					01.07 -> 12.07	Post cat Right	250-24460
					01.08 -> 12.08	Pre cat Left	250-24253
					01.08 -> 12.08	Pre cat Right	250-24253
					01.08 -> 12.08	Post cat Left	250-24253
					01.08 -> 12.08	Post cat Right	250-24253





Model / Liter	Body Code	Engine kW	Engine Code	Application Identifier Engine or Chassis	Year From→To	Position	Walker Direct Fit
<b>CHRYSLER (cont'd)</b>							
<b>300 (cont'd)</b>							
6.1				C, SRT8 Models	01.05 -> 12.06	Pre cat Left	250-24680
				C, SRT8 Models	01.05 -> 12.06	Pre cat Right	250-24680
				C, SRT8 ModelS	01.05 -> 12.06	Post cat Left	250-24253
				C, SRT8 Models	01.05 -> 12.06	Post cat Right	250-24460
				C, SRT8 Models	01.07 -> 12.07	Pre cat Left	250-24253
				C, SRT8 Models	01.07 -> 12.07	Pre cat Right	250-24253
				C, SRT8 Models	01.07 -> 12.07	Post cat Left	250-24253
				C, SRT8 Models	01.07 -> 12.07	Post cat Right	250-24460
				C, SRT8 Models	01.08 -> 12.08	Pre cat Left	250-24253
				C, SRT8 Models	01.08 -> 12.08	Pre cat Right	250-24253
				C, SRT8 Models	01.08 -> 12.08	Post cat Left	250-24253
				C, SRT8 Models	01.08 -> 12.08	Post cat Right	250-24253
<b>300 C</b>							
2.7			EER-E4		09.04 ->	Pre cat Left	250-24253
			EER-E4		09.04 ->	Pre cat Right	250-24253
			EER-E4		09.04 ->	Post cat Left	250-24253
			EER-E4		09.04 ->	Post cat Right	250-24253
3.5			EGG-E4		09.04 ->	Pre cat Left	250-24253
			EGG-E4		09.04 ->	Pre cat Right	250-24253
			EGG-E4		09.04 ->	Post cat Left	250-24253
			EGG-E4		09.04 ->	Post cat Right	250-24253
5.7			EZB		09.04 ->	Pre cat Left	250-24680
			EZB		09.04 ->	Pre cat Right	250-24680
			EZB		09.04 ->	Post cat Left	250-24253
			EZB		09.04 ->	Post cat Right	250-24460
<b>300 C Touring</b>							
2.7			EER E4		09.04 ->	Pre cat Left	250-24253
			EER E4		09.04 ->	Pre cat Right	250-24253
			EER E4		09.04 ->	Post cat Left	250-24253
			EER E4		09.04 ->	Post cat Right	250-24253
3.5			EGG E4		09.04 ->	Pre cat Left	250-24253
			EGG E4		09.04 ->	Pre cat Right	250-24253
			EGG E4		09.04 ->	Post cat Left	250-24253
			EGG E4		09.04 ->	Post cat Right	250-24253
5.7			EZB		09.04 ->	Pre cat Left	250-24680
			EZB		09.04 ->	Pre cat Right	250-24680
			EZB		09.04 ->	Post cat Left	250-24253
			EZB		09.04 ->	Post cat Right	250-24460
<b>300 M</b>							
2.7 V6 24V	LR		EES		08.00 -> 04.03	Pre cat Front	250-24078
			EES		08.00 -> 04.03	Pre cat Rear	250-24078
			EES		08.00 -> 04.03	Post cat Front	250-24078
			EES		08.00 -> 04.03	Post cat Rear	250-24078
			EER		01.02 -> 12.04	Pre cat Front	250-24113
			EER		01.02 -> 12.04	Pre cat Rear	250-24113
			EER		01.02 -> 12.04	Post cat Front	250-24078
			EER		01.02 -> 12.04	Post cat Rear	250-24078
3.5 V6 24V	LR		EGG		07.98 -> 08.00	Pre cat Front	250-24078
			EGG		07.98 -> 08.00	Pre cat Rear	250-24078
			EGG		07.98 -> 08.00	Post cat Front	250-24078
			EGG		07.98 -> 08.00	Post cat Rear	250-24078
			EGC		01.02 -> 04.03	Pre cat Front	250-24113
			EGC		01.02 -> 04.03	Pre cat Rear	250-24113
			EGC		01.01 -> 04.03	Post cat Front	250-24078
			EGC		01.01 -> 04.03	Post cat Rear	250-24078
<b>ASPEN</b>							
4.7					01.07 -> 12.07	Pre cat Left	250-24252
					01.07 -> 12.07	Pre cat Right	250-24252
					01.07 -> 12.07	Post cat Left	250-24251
					01.07 -> 12.07	Post cat Right	250-24251
				Flex Fuel Vehicle	01.08 -> 12.08	Pre cat Left	250-24253
				Flex Fuel Vehicle	01.08 -> 12.08	Pre cat Right	250-24253
				Flex Fuel Vehicle	01.08 -> 12.08	Post cat Left	250-24460
				Flex Fuel Vehicle	01.08 -> 12.08	Post cat Right	250-24460
5.7					01.07 -> 12.08	Pre cat Left	250-24253
					01.07 -> 12.08	Pre cat Right	250-24253
					01.07 -> 12.08	Post cat Left	250-24253
					01.07 -> 12.08	Post cat Right	250-24253



Model / Liter	Body Code	kW	Engine Code	Application Identifier Engine or Chassis	Year From→ To	Position	Walker Direct Fit
<b>CHRYSLER (cont'd)</b>							
<b>CIRRUS</b>							
2.0					01.00 -> 12.00	Pre cat	250-24078
					01.00 -> 12.00	Post cat	250-24079
2.4			EDZ		01.95 -> 12.96	Pre cat	250-24004
			EDZ		01.95 -> 12.96	Post cat	250-24002
			EDZ		01.97 -> 12.97	Pre cat	250-24077
			EDZ		01.97 -> 12.97	Post cat	250-24002
					01.00 -> 12.00	Pre cat	250-24078
					01.00 -> 12.00	Post cat	250-24079
2.5			EEB		01.95 -> 12.95	Pre cat	250-24004
			EEB		01.95 -> 12.95	Post cat	250-24002
			EEB		01.96 -> 12.96	Pre cat	250-24002
			EEB		01.96 -> 12.96	Post cat	250-24002
			EEB		01.97 -> 12.97	Pre cat	250-24080
			EEB		01.97 -> 12.97	Post cat	250-24002
					01.98 -> 12.00	Pre cat	250-24079
					01.98 -> 12.00	Post cat	250-24079
<b>CONCORDE</b>							
2.7					01.98 -> 12.01	Pre cat Front	250-24078
					01.98 -> 12.01	Pre cat Rear	250-24078
					01.98 -> 12.01	Post cat Front	250-24078
					01.98 -> 12.01	Post cat Rear	250-24078
					01.02 -> 12.04	Pre cat Front	250-24113
					01.02 -> 12.04	Pre cat Rear	250-24113
					01.02 -> 12.04	Post cat Front	250-24078
					01.02 -> 12.04	Post cat Rear	250-24078
3.2					01.98 -> 12.01	Pre cat Front	250-24078
					01.98 -> 12.01	Pre cat Rear	250-24078
					01.98 -> 12.01	Post cat Front	250-24078
					01.98 -> 12.01	Post cat Rear	250-24078
3.3					01.93 -> 12.95		250-24004
					01.96 -> 12.96	Pre cat Front	250-24077
					01.96 -> 12.96	Pre cat Rear	250-24077
					01.96 -> 12.96	Post cat Front	250-24002
					01.96 -> 12.96	Post cat Rear	250-24003
3.5					01.93 -> 12.95	Pre cat Front	250-24077
					01.93 -> 12.95	Pre cat Rear	250-24077
					01.96 -> 12.97	Pre cat Front	250-24077
					01.96 -> 12.97	Pre cat Rear	250-24077
					01.96 -> 12.97	Post cat Front	250-24002
					01.96 -> 12.97	Post cat Rear	250-24003
					01.02 -> 12.04	Pre cat Front	250-24113
					01.02 -> 12.04	Pre cat Rear	250-24113
					01.02 -> 12.04	Post cat Front	250-24078
					01.02 -> 12.04	Post cat Rear	250-24078
<b>CROSSFIRE</b>							
3.2			EGX		07.03 ->	Pre cat Left	250-24469
			EGX		07.03 ->	Pre cat Right	250-24469
			EGX		07.03 ->	Post cat Left	250-24469
			EGX		07.03 ->	Post cat Right	250-24469
3.2			EGZ	SRT-6 Model	09.04 ->	Pre cat Left	250-24469
			EGZ	SRT-6 Model	09.04 ->	Pre cat Right	250-24469
			EGZ	SRT-6 Model	09.04 ->	Post cat Left	250-24469
			EGZ	SRT-6 Model	09.04 ->	Post cat Right	250-24469
<b>LHS</b>							
3.5					01.94 -> 12.95	Pre cat Front	250-24077
					01.94 -> 12.95	Pre cat Rear	250-24077
					01.96 -> 12.97	Pre cat Front	250-24077
					01.96 -> 12.97	Pre cat Rear	250-24077
					01.96 -> 12.97	Post cat Front	250-24002
					01.96 -> 12.97	Post cat Rear	250-24003
					01.99 -> 12.01	Pre cat Front	250-24078
					01.99 -> 12.01	Pre cat Rear	250-24078
					01.99 -> 12.01	Post cat Front	250-24078
					01.99 -> 12.01	Post cat Rear	250-24078
<b>NEON</b>							
1.8 16V	PL		EBD		09.97 -> 12.98	Pre cat	250-24077
			EBD		09.97 -> 12.98	Post cat	250-24614



Model / Liter	Body Code	Engine kW Code	Application Identifier Engine or Chassis	Year From→To	Position	Walker Direct Fit
<b>CHRYSLER (cont'd)</b>						
<b>NEON (cont'd)</b>						
2.0 16V	PL	ECB		05.94 -> 12.98	Pre cat	250-24077
		ECB		05.94 -> 12.98	Post cat	250-24614
		ECC		06.94 -> 12.98	Pre cat	250-24077
		ECC		06.94 -> 12.98	Post cat	250-24614
		ECM		04.96 -> 12.98	Pre cat	250-24077
		ECM		04.96 -> 12.98	Post cat	250-24614
<b>NEON II</b>						
1.6		EJD		11.01 ->		250-24078
2.0 16V		ECB		08.99 ->	Pre cat	250-24117
		ECB		08.99 ->	Post cat	250-24078
		ECB		08.99 -> 12.00	Pre cat	250-24077
		ECB		08.99 -> 12.00	Post cat	250-24666
2.0 16V R/T		ECH		10.01 ->	Pre cat	250-24117
		ECH		10.01 ->	Post cat	250-24078
<b>PACIFICA</b>						
3.5				01.04 -> 12.04	Pre cat	250-24253
				01.04 -> 12.04	Post cat	250-24652
				01.05 -> 12.06	Pre cat	250-24251
				01.05 -> 12.06	Post cat	250-24252
3.8				01.05 -> 12.08	Pre cat	250-24675
				01.05 -> 12.08	Post cat	250-24460
4.0				01.07 -> 12.08	Pre cat	250-24253
				01.07 -> 12.08	Pre cat	250-24253
				01.07 -> 12.08	Post cat	250-24253
				01.07 -> 12.08	Post cat	250-24253
<b>PROWLER</b>						
3.5				01.01 -> 12.02	Pre cat	250-24078
				01.01 -> 12.02	Pre cat	250-24078
				01.01 -> 12.02	Post cat	250-24078
				01.01 -> 12.02	Post cat	250-24078
<b>PT CRUISER</b>						
1.6	PT_	EJD		01.04 ->		250-24460
2.0	PT_	ECC		09.00 -> 12.02	Pre cat	250-24113
		ECC		09.00 -> 12.02	Post cat	250-24078
		ECC		01.03 -> 12.03	Pre cat	250-24253
		ECC		01.03 -> 12.03	Post cat	250-24667
		ECC		01.04 ->	Pre cat	250-24460
		ECC		01.04 ->	Post cat	250-24253
2.2 CRD	PT_	EDJ		03.02 ->	Post cat	250-25043
		EDJ		08.05 ->	Post cat	250-25043
2.4	PT_	EDZ		06.00 -> 12.02	Pre cat	250-24113
		EDZ		06.00 -> 12.02	Post cat	250-24078
		EDZ		01.03 -> 12.03	Pre cat	250-24253
		EDZ		01.03 -> 12.03	Post cat	250-24667
		EDZ		01.04 ->	Pre cat	250-24460
		EDZ		01.04 ->	Post cat	250-24253
		EDZ		08.05 ->	Pre cat	250-24460
		EDZ		08.05 ->	Post cat	250-24253
2.4 GT	PT_	EDV		08.03 -> 12.03	Pre cat	250-24253
		EDV		08.03 -> 12.03	Post cat	250-24667
		EDV		01.04 ->	Pre cat	250-24253
		EDV		01.04 ->	Post cat	250-24253
<b>PT CRUISER Cabriolet</b>						
2.4		EDZ		03.04 ->	Pre cat	250-24460
		EDZ		03.04 ->	Post cat	250-24253
2.4 GT		EDV	M/T	03.04 ->	Pre cat	250-24253
		EDV	M/T	03.04 ->	Post cat	250-24253
<b>SEBRING</b>						
2.0		ECF		01.95 -> 12.96	Pre cat	250-24003
		ECF		01.95 -> 12.96	Post cat	250-24083
				01.97 -> 12.99	Pre cat	250-24076
				01.97 -> 12.99	Post cat	250-24083
2.4		EDZ		01.96 -> 12.96	Pre cat	250-24004
		EDZ		01.96 -> 12.96	Post cat	250-24074
		EDZ		01.97 -> 12.97	Pre cat	250-24077
		EDZ		01.97 -> 12.97	Post cat	250-24074
		EDZ		01.98 -> 12.98	Pre cat	250-24078
		EDZ		01.98 -> 12.98	Post cat	250-24074



Model / Liter	Body Code	kW	Engine Code	Application Identifier Engine or Chassis	Year From→ To	Position	Walker Direct Fit
<b>CHRYSLER (cont'd)</b>							
<b>SEBRING (cont'd)</b>							
2.4				Vin # X	01.01 -> 12.02	Pre cat	250-24265
				Vin # X	01.01 -> 12.02	Post cat	250-24078
				Vin # G	01.01 -> 12.03	Pre cat	250-24633
				Vin # G	01.01 -> 12.03	Post cat	250-24243
					01.03 -> 12.03	Pre cat	250-24633
					01.03 -> 12.03	Post cat	250-24243
					01.04 -> 12.04	Pre cat	250-24265
					01.04 -> 12.04	Post cat	250-24078
					01.05 -> 12.06	Pre cat	250-24460
					01.05 -> 12.06	Post cat	250-24253
					01.07 -> 12.08	Pre cat	250-24686
					01.07 -> 12.08	Post cat	250-24686
2.5				A/T	01.95 -> 12.95	Pre cat	250-24004
				A/T	01.95 -> 12.95	Post cat	250-24004
				M/T	01.95 -> 12.95	Pre cat	250-24004
				M/T	01.95 -> 12.95	Post cat	250-24002
		EEB			01.96 -> 12.96	Pre cat	250-24080
		EEB			01.96 -> 12.96	Post cat	250-24004
		EEB	JX Model		01.96 -> 12.96	Pre cat	250-24002
		EEB	JX Model		01.96 -> 12.96	Post cat	250-24074
		EEB	JXi Model		01.96 -> 12.96	Pre cat	250-24080
		EEB	JXi Model		01.96 -> 12.96	Post cat	250-24074
		EEB	Vin # H		01.97 -> 12.97	Pre cat	250-24080
		EEB	Vin # H		01.97 -> 12.97	Post cat	250-24074
		EEB	Vin # N		01.97 -> 12.97	Pre cat	250-24003
		EEB	Vin # N		01.97 -> 12.97	Pre cat	250-24002
		EEB	Vin # N		01.97 -> 12.97	Post cat	250-24075
		EEB	Vin # N		01.97 -> 12.97	Post cat	250-24075
			Vin # H		01.98 -> 12.00	Pre cat	250-24079
			Vin # H		01.98 -> 12.00	Post cat	250-24074
			Vin # N		01.98 -> 12.00	Pre cat	250-24076
			Vin # N		01.98 -> 12.00	Pre cat	250-24076
			Vin # N		01.98 -> 12.00	Post cat	250-24075
			Vin # N		01.98 -> 12.00	Post cat	250-24075
2.7					01.01 -> 12.04	Pre cat	250-24078
					01.01 -> 12.04	Pre cat	250-24078
					01.01 -> 12.04	Post cat	250-24078
					01.01 -> 12.04	Post cat	250-24078
					01.05 -> 12.08	Pre cat	250-24253
					01.05 -> 12.08	Pre cat	250-24253
					01.05 -> 12.08	Post cat	250-24253
					01.05 -> 12.08	Post cat	250-24253
3.0					01.01 -> 12.05	Pre cat	250-24233
					01.01 -> 12.05	Pre cat	250-24233
					01.01 -> 12.05	Post cat	250-24240
					01.01 -> 12.05	Post cat	250-24240
3.5					01.07 -> 12.08	Pre cat	250-24253
					01.07 -> 12.08	Pre cat	250-24253
					01.07 -> 12.08	Post cat	250-24253
					01.07 -> 12.08	Post cat	250-24253
<b>STRATUS</b>							
2.0 16V	JA				01.97 -> 12.97		250-24077
2.0 LE	JA		C00		01.97 -> 12.97		250-24077
2.4 16 V	JA		EDZ		01.97 -> 12.97		250-24077
			EDZ		01.97 -> 12.97		250-24077
2.5 LX V6	JA		H00		01.97 -> 12.97		250-24080
			H00		01.98 -> 12.99		250-23032
2.5 V6	JA				01.97 -> 12.97		250-24080
					01.98 -> 12.99		250-23032
<b>STRATUS Cabriolet</b>							
2.0 LE	JX		420X		01.97 -> 12.97		250-24077
2.5 LX	JX		625H		01.97 -> 12.97		250-24080
			625H		01.98 -> 12.99		250-23032
<b>TOWN &amp; COUNTRY</b>							
3.3				w/o LLE Specification	01.96 -> 12.97	Pre cat	250-24077
				w/o LLE Specification	01.96 -> 12.97	Post cat	250-24081
				w/ LLE Specification	01.96 -> 12.97	Pre cat	250-24077
				w/ LLE Specification	01.96 -> 12.97	Post cat	250-24082





Model / Liter	Body Code	Engine kW	Engine Code	Application Identifier Engine or Chassis	Year From→To	Position	Walker Direct Fit
<b>CHRYSLER (cont'd)</b>							
<b>TOWN &amp; COUNTRY (cont'd)</b>							
3.3				w/o LLE Specification	01.98 -> 12.98	Pre cat	250-24077
				w/o LLE Specification	01.98 -> 12.98	Post cat	250-24078
				w/ LLE Specification	01.98 -> 12.98	Pre cat	250-24077
				w/ LLE Specification	01.98 -> 12.98	Post cat	250-24082
				w/o LLE Specification	01.99 -> 12.00	Pre cat	250-24077
				w/o LLE Specification	01.99 -> 12.00	Post cat	250-24081
				w/ LLE Specification	01.99 -> 12.00	Pre cat	250-24077
				w/ LLE Specification	01.99 -> 12.00	Post cat	250-24082
					01.01 -> 12.03	Pre cat	250-24294
					01.01 -> 12.03	Post cat	250-24315
					01.04 -> 12.04	Pre cat	250-24460
					01.04 -> 12.04	Post cat	250-24460
				w/o Engine Code XZZ	01.05 -> 12.05	Pre cat	250-24460
				w/o Engine Code XZZ	01.05 -> 12.05	Post cat	250-24460
				w/ Engine Code XZZ	01.05 -> 12.05	Pre cat	250-24675
				w/ Engine Code XZZ	01.05 -> 12.05	Post cat	250-24460
					01.06 -> 12.08	Pre cat	250-24675
					01.06 -> 12.08	Post cat	250-24460
				Flex Fuel Vehicle	01.08 -> 12.08	Pre cat	250-24675
				Flex Fuel Vehicle	01.08 -> 12.08	Pre cat	250-24675
				Flex Fuel Vehicle	01.08 -> 12.08	Post cat	250-24460
				Flex Fuel Vehicle	01.08 -> 12.08	Post cat	250-24460
3.8					01.95 -> 12.95	Pre cat	250-24077
					01.96 -> 12.97	Pre cat	250-24077
					01.96 -> 12.97	Post cat	250-24081
				w/o LLE Specification	01.98 -> 12.98	Pre cat	250-24077
				w/o LLE Specification	01.98 -> 12.98	Post cat	250-24078
				w/ LLE Specification	01.98 -> 12.98	Pre cat	250-24077
				w/ LLE Specification	01.98 -> 12.98	Post cat	250-24082
					01.02 -> 12.03	Pre cat	250-24294
					01.02 -> 12.03	Post cat	250-24315
					01.04 -> 12.04	Pre cat	250-24460
					01.04 -> 12.04	Post cat	250-24460
				w/o Engine Code XZZ	01.05 -> 12.05	Pre cat	250-24460
				w/o Engine Code XZZ	01.05 -> 12.05	Post cat	250-24460
				w/ Engine Code XZZ	01.05 -> 12.05	Pre cat	250-24675
				w/ Engine Code XZZ	01.05 -> 12.05	Post cat	250-24460
					01.06 -> 12.08	Pre cat	250-24675
					01.06 -> 12.08	Post cat	250-24460
4.0					01.08 -> 12.08	Pre cat	250-24253
					01.08 -> 12.08	Pre cat	250-24253
					01.08 -> 12.08	Post cat	250-24253
					01.08 -> 12.08	Post cat	250-24253
<b>VIPER GTS, RT / 10</b>							
8.0					01.96 -> 12.02	Pre cat	250-24080
					01.96 -> 12.02	Post cat	250-24078
<b>VIPER RT / 10</b>							
8.0					08.92 -> 12.95	Pre cat	250-24002
<b>VIPER SRT - 10</b>							
8.3					01.03 -> 12.06	Pre cat	250-24460
					01.03 -> 12.06	Post cat	250-24317
<b>VOYAGER II</b>							
2.0 i	GS		ECB		01.99 -> 12.99	Pre cat	250-24003
			ECB		01.99 -> 12.99	Post cat	250-24078
			ECB		01.00 -> 03.01	Pre cat	250-24080
			ECB		01.00 -> 03.01	Post cat	250-24078
2.4 i	GS		EDZ		01.96 -> 12.97	Pre cat	250-24081
			EDZ		01.96 -> 12.97	Post cat	250-24078
			EDZ		01.98 -> 12.98	Pre cat	250-24003
			EDZ		01.98 -> 12.98	Post cat	250-24078
			EDZ		01.99 -> 03.01	Pre cat	250-24080
			EDZ		01.99 -> 03.01	Post cat	250-24078
3.3 i	GS		U3 <EGA>		10.96 -> 03.01	Pre cat	250-24077
			U3 <EGA>		01.98 -> 03.01	Post cat	250-24078
3.8 i AWD	GS		EGH164		10.96 -> 01.98	Pre cat	250-24077
			EGH164		01.96 -> 03.01	Post cat	250-24078
			EGH		10.96 -> 03.01	Pre cat	250-24077
	GS		EGH		01.98 -> 03.01	Post cat	250-24078



Model / Liter	Body Code	kW	Engine Code	Application Identifier Engine or Chassis	Year From→ To	Position	Walker Direct Fit
<b>CHRYSLER (cont'd)</b>							
<b>VOYAGER III</b>							
2.4	RG		EDZ		03.01 ->	Pre cat	250-24314
			EDZ		03.01 ->	Post cat	250-24315
<b>CITROEN</b>							
<b>C2</b>							
1.1	JM_	44	HFX <TU1JP>		09.03 ->	Pre cat	250-24841
			HFX <TU1A>, <TU1JP>		09.03 ->	Post cat	250-24178
1.4	JM_	54	KFV <TU3A>, <TU3JP>		09.03 ->	Pre cat	250-24178
			KFV <TU3A>, <TU3JP>		09.03 ->	Post cat	250-24178
1.4 16V	JM_	65	ET3J4 <KFU>		06.06 ->	Pre cat	250-24665
			ET3J4 <KFU>		06.06 ->	Post cat	250-24841
1.6	JM_	80	NFU <TU5JP4>		09.03 ->	Pre cat	250-24665
			NFU <TU5JP4>		09.03 ->	Post cat	250-24841
1.6 VTS	JM_	90	NFS <TU5JP4S>		01.05 ->	Pre cat	250-24665
			NFS <TU5JP4S>		01.05 ->	Post cat	250-24841
<b>C3</b>							
1.1 i	FC_	44	HFX <TU1JP>		02.02 -> 08.05	Pre cat	250-24841
			HFX <TU1A>, <TU1JP>		04.02 ->	Post cat	250-24178
1.4 i	FC_	54	KFV <TU3JP>		04.02 -> 10.05	Pre cat	250-24178
			KFV <TU3JP>		04.02 -> 10.05	Post cat	250-24178
			KFV <TU3JP>		11.05 ->	Pre cat	250-24841
			KFV <TU3JP>		11.05 ->	Post cat	250-24178
1.4 i Bivalent	FC_	54	KFV <TU3JP>		05.05 ->	Pre cat	250-24178
			KFV <TU3JP>		05.05 ->	Post cat	250-24178
1.4 16V	FC_	65	ET3J4 <KFU>		12.03 -> 10.05	Pre cat	250-24665
			ET3J4 <KFU>		12.03 -> 10.05	Post cat	250-24841
			ET3J4 <KFU>		11.05 ->	Pre cat	250-24665
			ET3J4 <KFU>		11.05 ->	Post cat	250-24841
1.6 16V	FC_	80	NFU <TU5JP4>		04.02 -> 10.05	Pre cat	250-24841
			NFU <TU5JP4>		04.02 -> 10.05	Post cat	250-24841
			NFU <TU5JP4>		11.05 ->	Pre cat	250-24665
			NFU <TU5JP4>		11.05 ->	Post cat	250-24841
<b>C3 Pluriel</b>							
1.4	HB_	54	KFV <TU3A>, <TU3JP>		05.03 ->	Pre cat	250-24178
			KFV <TU3A>, <TU3JP>		05.03 ->	Post cat	250-24178
1.6	HB_	80	NFU <TU5JP4>		05.03 ->	Pre cat	250-24841
			NFU <TU5JP4>		05.03 ->	Post cat	250-24841
<b>C4</b>							
1.4 16V	LC_	65	ET3J4 <KFU>		11.04 ->	Pre cat	250-24665
			ET3J4 <KFU>		11.04 ->	Post cat	250-24841
1.6 16V	LC_	80	NFU <TU5JP4>		11.04 ->	Pre cat	250-24665
			NFU <TU5JP4>		11.04 ->	Post cat	250-24841
1.6 16V Bio-Flex	LC_	80	TU5JP4		09.07 ->	Pre cat	250-24665
			TU5JP4		09.07 ->	Post cat	250-24841
2.0 16V	LC_	100	RFN <EW10J4>		11.04 ->	Pre cat	250-24748
			RFN <EW10J4>		11.04 ->	Post cat	250-24410
<b>C4 Coupe</b>							
1.4 16V	LA_	65	ET3J4 <KFU>		11.04 ->	Pre cat	250-24665
			ET3J4 <KFU>		11.04 ->	Post cat	250-24841
1.6 16V	LA_	80	NFU <TU5JP4>		11.04 ->	Pre cat	250-24665
			NFU <TU5JP4>		11.04 ->	Post cat	250-24841
2.0 16V	LA_	100	RFN <EW10J4>		11.04 ->	Pre cat	250-24748
			RFN <EW10J4>		11.04 ->	Post cat	250-24410
2.0 16V	LA_	130	EW10J4S, RFK <EW10J4S>		11.04 ->	Pre cat	250-24748
			EW10J4S, RFK <EW10J4S>		11.04 ->	Post cat	250-24410
<b>C5</b>							
1.8 16V	DC_	85	6FZ <EW7J4>		03.01 -> 08.04	Pre cat	250-24178
			6FZ <EW7J4>		03.01 -> 08.04	Post cat	250-24527
1.8 16V	RC_	85	6FZ <EW7J4>		09.04 -> 12.05	Pre cat	250-24841
			6FZ <EW7J4>		09.04 -> 12.05	Post cat	250-24596
2.0 16V	DC_	100	RFN <EW10J4>		03.01 -> 08.04	Pre cat	250-24409
			RFN <EW10J4>		03.01 -> 08.04	Post cat	250-24596
2.0 16V HPI	DC_	103	RLZ <EW10D> M/T		03.01 -> 03.01	Pre cat	250-24409
			RLZ <EW10D> M/T		03.01 -> 03.01	Post cat	250-24527
3.0 V6	DC_	152	XFX <ES9J4S>		03.01 -> 08.04	Pre cat	250-24409
			XFX <ES9J4S>		03.01 -> 08.04	Pre cat	250-24409
			XFX <ES9J4S>		03.01 -> 08.04	Post cat	250-24409
			XFX <ES9J4S>		03.01 -> 08.04	Post cat	250-24409



Model / Liter	Body Code	Engine kW	Engine Code	Application Identifier Engine or Chassis	Year From→To	Position	Walker Direct Fit
<b>CITROEN (cont'd)</b>							
<b>C5 (cont'd)</b>							
3.0 V6	DC_	152	XFU <ES9A>		09.04 ->	Pre cat Front	250-24841
			XFU <ES9A>		09.04 ->	Pre cat Rear	250-24841
			XFU <ES9A>		09.04 ->	Post cat Front	250-24841
			XFU <ES9A>		09.04 ->	Post cat Rear	250-24410
3.0 V6	RD_	155	ES9A		03.08 ->	Pre cat Front	250-24841
			ES9A		03.08 ->	Pre cat Rear	250-24841
			ES9A		03.08 ->	Post cat Front	250-24841
			ES9A		03.08 ->	Post cat Rear	250-24841
<b>C5 Break</b>							
1.8 16V	DE_	85	6FZ <EW7J4>		06.01 -> 08.04	Pre cat	250-24178
	RE_	85	6FZ <EW7J4>		06.01 -> 08.04	Post cat	250-24596
			6FZ <EW7J4>		09.04 -> 12.05	Pre cat	250-24841
			6FZ <EW7J4>		09.04 -> 12.05	Post cat	250-24596
2.0 16V	DE_	100	RFN <EW10J4>		06.01 -> 08.04	Pre cat	250-24841
			RFN <EW10J4>		06.01 -> 08.04	Post cat	250-24596
2.0 16V HPI	DE_	103	RLZ <EW10D> M/T		06.01 -> 08.04	Pre cat	250-24841
			RLZ <EW10D> M/T		06.01 -> 08.04	Post cat	250-24527
3.0 V6	DE_	152	XFJ <ES9J4S>		06.01 -> 08.04	Pre cat	250-24841
			XFJ <ES9J4S>		06.01 -> 08.04	Post cat	250-24841
3.0 V6	RE_	152	XFU <ES9A>		09.04 ->	Pre cat Front	250-24841
			XFU <ES9A>		09.04 ->	Pre cat Rear	250-24841
			XFU <ES9A>		09.04 ->	Post cat Front	250-24841
			XFU <ES9A>		09.04 ->	Post cat Rear	250-24410
3.0 V6	TD_	155	ES9A		06.08 ->	Pre cat Front	250-24841
			ES9A		06.08 ->	Pre cat Rear	250-24841
			ES9A		06.08 ->	Post cat Front	250-24841
			ES9A		06.08 ->	Post cat Rear	250-24841
<b>C6</b>							
2.0	EA_ EB_	100	RFN <EW10J4>		07.02 ->	Pre cat	250-24665
			RFN <EW10J4>		07.02 ->	Post cat	250-24665
2.2	EA_ EB_	116	3FZ <EW12J4>		07.02 ->	Pre cat	250-24665
			3FZ <EW12J4>		07.02 ->	Post cat	250-24665
3.0 V6	EA_ EB_	150	XFW <ES9J4S>		07.02 ->	Pre cat Front	250-24841
			XFW <ES9J4S>		07.02 ->	Pre cat Rear	250-24665
			XFW <ES9J4S>		07.02 ->	Post cat Front	250-24841
			XFW <ES9J4S>		07.02 ->	Post cat Rear	250-24665
3.0 V6	TD_	155	XFV <ES9A>		12.05 ->	Pre cat Front	250-24841
			XFV <ES9A>		12.05 ->	Pre cat Rear	250-24841
			XFV <ES9A>		12.05 ->	Post cat Front	250-24841
			XFV <ES9A>		12.05 ->	Post cat Rear	250-24841
<b>SAXO</b>							
1.0 X	S0, S1	37	CDZ <TU9M>		05.98 -> 08.99		250-24536
1.1 X,SX	S0, S1	40	HDY <TU1M>		05.96 -> 09.03		250-24536
1.1 X,SX	S0, S1	44	HDZ <TU1M>		06.96 -> 08.99	Pre cat	250-24536
			HFX <TU1JP>		09.00 -> 09.03	Pre cat	250-24409
	S0, S1	44	HFX <TU1JP>		09.00 -> 09.03	Post cat	250-24409
1.4 VTS	S0, S1	55	KFX <TU3JP/L3>		05.96 -> 06.03	Pre cat	250-24536
			KFX <TU3JP/K>; ECE R15.04		07.96 -> 06.03	Pre cat	250-24497
			KFW <TU3JP>		09.98 -> 08.99	Pre cat	250-24178
			KFW <TU3JP>		09.98 -> 08.99	Post cat	250-24665
1.6 VTL,VTR	S0, S1	65	NFZ <TU5JP>; To. Prod. No. 7727		05.96 -> 08.98	Pre cat	250-24536
			NFZ <TU5JP>; Fr. Prod. No. 7728		01.98 -> 08.99	Pre cat	250-24665
			NFZ <TU5JP/K>; ECE R15.04		07.96 -> 08.99	Pre cat	250-24497
1.6 VTS	S0, S1	72	NFT <TU5JP>		09.00 -> 09.03	Pre cat	250-24841
			NFT <TU5JP>		09.00 -> 09.03	Post cat	250-24841
1.6 VTS	S0, S1	87	NFX <TU5J4>		06.96 -> 09.03	Pre cat	250-24178
			NFX <TU5J4>		09.00 -> 09.03	Post cat	250-24178
<b>XSARA</b>							
1.4 i	N1	55	KFX <TU3JP/K>		05.98 -> 08.00	Pre cat	250-24497
			KFX <TU3JP> Euro 2000 Specification		06.98 -> 08.00	Pre cat	250-24665
			KFX <TU3JP> Euro 2000 Specification		07.97 -> 08.00	Post cat	250-24748
			KFX <TU3JP/L3>		07.97 -> 08.00	Pre cat	250-24536
			KFW <TU3JP>		09.00 -> 03.05	Pre cat	250-24178
			KFW <TU3JP>		09.00 -> 03.05	Post cat	250-24178
1.6 16V	N1	80	LFY <XU7JP4>		09.00 -> 09.00	Pre cat	250-24178
			NFU <TU5JP4>		09.00 -> 03.05	Pre cat	250-24409
			NFU <TU5JP4>		09.00 -> 03.05	Post cat	250-24409



Model / Liter	Body Code	kW	Engine Code	Application Identifier Engine or Chassis	Year From→ To	Position	Walker Direct Fit
<b>CITROEN (cont'd)</b>							
<b>XSARA (cont'd)</b>							
1.6 i	N1	65	NFZ <TU5JP>		07.97 -> 05.98		250-24536
			NFZ <TU5JP>		06.98 -> 08.00		250-24665
			NFZ <TU5JP/K>		05.98 -> 08.00		250-24497
1.8 i	N1	66	LFX <XU7JB>		07.97 -> 08.00		250-24178
1.8 i 16V	N1	81	LFY <XU7JP4>		07.97 -> 08.00		250-24178
1.8 i Aut.	N1	74	LFZ, L6A <XU7JP>		07.97 -> 08.00		250-24527
2.0 16V	N1	97	RFV <XU10J4R>		07.98 -> 08.00		250-24178
2.0 16V	N1	100	RFN <EW10J4>		09.00 -> 03.05	Pre cat	250-24409
			RFN <EW10J4>		09.00 -> 03.05	Post cat	250-24410
2.0 16V	N1	120	RFS <XU10J4RS>		07.97 -> 08.00		250-24527
<b>XSARA Break</b>							
1.4 i	N2	55	KFX <TU3JP/L3>		03.98 -> 05.98	Pre cat	250-24536
			KFX <TU3JP>	Euro 2000 Specification	06.98 -> 08.00	Pre cat	250-24665
			KFX <TU3JP>	Euro 2000 Specification	06.98 -> 08.00	Post cat	250-24748
			KFW <TU3JP>		09.00 -> 08.05	Pre cat	250-24178
			KFW <TU3JP>		09.00 -> 08.05	Post cat	250-24178
1.6 16V	N2	80	NFU <TU5JP4>		09.00 -> 08.05	Pre cat	250-24409
			NFU <TU5JP4>		09.00 -> 08.05	Post cat	250-24409
1.6 i	N2	65	NFZ <TU5JP>		10.97 -> 12.97		250-24536
			NFZ <TU5JP>		03.98 -> 05.98		250-24665
1.8 i	N2	66	LFX <XU7JB>		03.98 -> 08.00		250-24178
		74	LFZ <XU7JP>		03.98 -> 08.00		250-24527
1.8 i 16V	N2	81	LFY <XU7JP4>		04.98 -> 08.00		250-24178
2.0 16V	N2	97	RFV <XU10J4R>		07.98 -> 08.00		250-24178
2.0 16V	N2	100	RFN <EW10J4>		09.00 -> 08.05	Pre cat	250-24409
			RFN <EW10J4>		09.00 -> 08.05	Post cat	250-24410
<b>XSARA Coupe</b>							
1.4 i	N0	55	KFX <TU3JP/L3>		05.98 -> 08.00	Pre cat	250-24536
			KFX <TU3JP>	Euro 2000 Specification	06.98 -> 08.00	Pre cat	250-24665
			KFX <TU3JP>	Euro 2000 Specification	03.98 -> 08.00	Post cat	250-24748
			KFX <TU3JP/K>		05.98 -> 03.05	Pre cat	250-24497
			KFW <TU3JP>		09.00 -> 03.05	Pre cat	250-24178
			KFW <TU3JP>		09.00 -> 03.05	Post cat	250-24178
1.6 16V	N0	80	NFU <TU5JP4>		09.00 -> 03.05	Pre cat	250-24409
			NFU <TU5JP4>		09.00 -> 03.05	Post cat	250-24409
1.6 i	N0	65	NFZ <TU5JP>		02.98 -> 08.00	Pre cat	250-24665
			NFZ <TU5JP>		05.98 -> 05.98	Pre cat	250-24536
1.8 i	N0	66	LFX <XU7JB>		02.98 -> 08.00		250-24178
1.8 i	N0	74	LFZ <XU7JP>		02.98 -> 09.00		250-24527
1.8 i 16V	N0	81	LFY <XU7JP4>		05.98 -> 08.00		250-24178
2.0 16V	N0	100	RFN <EW10J4>		09.00 -> 03.05	Pre cat	250-24409
			RFN <EW10J4>		09.00 -> 03.05	Post cat	250-24410
2.0 i 16V	N0	120	RFS <XU10J4RS>		02.98 -> 08.00	Pre cat	250-24527
			RFS <XU10J4RS>		09.00 -> 03.05	Pre cat	250-24748
			RFS <XU10J4RS>		09.00 -> 03.05	Post cat	250-24410
<b>XSARA PICASSO</b>							
1.6	N68	65	NFZ <TU5JP>		12.99 ->		250-24665
1.6	N68	70	NFV <TU5JP>		01.02 ->	Pre cat	250-24409
			NFV <TU5JP>		01.02 ->	Post cat	250-24665
1.6 16V	N68	80	NFU <TU5JP4>M/T		09.05 ->	Pre cat	250-24665
			NFU <TU5JP4>M/T		09.05 ->	Post cat	250-24841
1.8 16V	N68	85	6FZ <EW7J4> M/T		02.00 ->	Pre cat	250-24178
			6FZ <EW7J4> M/T		02.00 ->	Post cat	250-24410
2.0 16V	N68	100	RFN <EW10J4>; A/T		01.03 ->	Pre cat	250-24841
			RFN <EW10J4>; A/T		01.03 ->	Post cat	250-24410
<b>DAIHATSU</b>							
<b>CHARADE IV</b>							
1.3	G_	44	HC		09.96 -> 11.99		250-21000
1.3 16V	G_	62	HC		01.93 -> 11.99		250-21000
	G_	55	HC		05.96 -> 11.99		250-21000
1.5 16V	G203	66	HEE		08.94 -> 09.00		250-21000
<b>SIRION</b>							
1.0 i	M1	41	EJDE		04.98 -> 09.00		250-21000
	M1	43	EJ-VE		09.00 -> 01.05		250-24360
1.0 i 4WD	M1	41	EJDE		04.99 -> 09.00		250-21000
	M1	43	EJ-VE		09.00 -> 01.05		250-24360
1.3 Sport	M1	75	K3-VE2		08.00 -> 01.05	Pre cat	250-21000
			K3-VE2		08.00 -> 01.05	Post cat	250-21000





Model / Liter	Body Code	Engine kW	Engine Code	Application Identifier Engine or Chassis	Year From→To	Position	Walker Direct Fit
<b>DAIHATSU (cont'd)</b>							
<b>SIRION (cont'd)</b>							
1.3 Sport 4WD	M1	75	K3-VE2		08.00 -> 01.05	Post cat	250-21000
			K3-VE2		08.00 -> 01.05	Pre cat	250-21000
<b>TERIOS</b>							
1.3	J1	63	K3-VE		09.01 -> 10.05		250-21000
1.3 4WD	J1	61	HC		10.97 -> 10.00		250-21000
	J1	63	K3-VE		10.00 -> 10.05		250-21000
<b>YRV</b>							
1.0	M2	43	EJ-VE	M/T	02.01 ->		250-24360
1.3	M2	64	K3-VE		02.01 -> 12.01	Pre cat	250-21000
			K3-VE		02.01 -> 12.01	Post cat	250-21000
1.3 4WD	M2	64	K3-VE		02.01 -> 12.01	Pre cat	250-21000
			K3-VE		02.01 -> 12.01	Post cat	250-21000
1.3 GTi	M2	95	EJVE	A/T	07.02 ->	Post cat	250-21000
<b>DODGE</b>							
<b>AVENGER</b>							
2.0	Y		ECF		01.95 -> 12.96	Pre cat	250-24003
			ECF		01.95 -> 12.96	Post cat	250-24083
					01.97 -> 12.99	Pre cat	250-24076
					01.97 -> 12.99	Post cat	250-24083
2.4	K				01.08 -> 12.08	Pre cat	250-24686
					01.08 -> 12.08	Post cat	250-24686
2.5	N		EEB		01.95 -> 12.95	Pre cat Front	250-24003
			EEB		01.95 -> 12.95	Pre cat Rear	250-24002
			EEB		01.96 -> 12.97	Pre cat Front	250-24003
			EEB		01.96 -> 12.97	Pre cat Rear	250-24002
			EEB		01.96 -> 12.97	Post cat Front	250-24075
			EEB		01.96 -> 12.97	Post cat Rear	250-24075
					01.98 -> 12.00	Pre cat Front	250-24076
					01.98 -> 12.00	Pre cat Rear	250-24076
					01.98 -> 12.00	Post cat Front	250-24075
					01.98 -> 12.00	Post cat Rear	250-24075
2.7	M, R				01.08 -> 12.08	Pre cat Front	250-24253
					01.08 -> 12.08	Pre cat Rear	250-24253
					01.08 -> 12.08	Post cat Front	250-24253
					01.08 -> 12.08	Post cat Rear	250-24253
<b>CALIBER</b>							
1.8	C				01.07 -> 12.08	Pre cat	250-24686
					01.07 -> 12.08	Post cat	250-24686
2.0	B				01.07 -> 12.08	Pre cat	250-24686
					01.07 -> 12.08	Post cat	250-24686
2.4	K				01.07 -> 12.08	Pre cat	250-24686
					01.07 -> 12.08	Post cat	250-24686
<b>CHARGER</b>							
2.7	R		EER		01.06 -> 12.07	Pre cat Left	250-24253
			EER		01.06 -> 12.07	Pre cat Right	250-24253
			EER		01.06 -> 12.07	Post cat Left	250-24253
			EER		01.06 -> 12.07	Post cat Right	250-24253
					01.08 -> 12.08	Pre cat Left	250-24253
					01.08 -> 12.08	Pre cat Right	250-24253
					01.08 -> 12.08	Post cat Left	250-24253
					01.08 -> 12.08	Post cat Right	250-24460
3.5	G				01.06 -> 12.07	Pre cat Left	250-24253
					01.06 -> 12.07	Pre cat Right	250-24253
					01.06 -> 12.07	Post cat Left	250-24253
					01.06 -> 12.07	Post cat Right	250-24253
					01.08 -> 12.08	Pre cat Left	250-24253
					01.08 -> 12.08	Pre cat Right	250-24253
					01.08 -> 12.08	Post cat Left	250-24253
					01.08 -> 12.08	Post cat Right	250-24253
5.7	H				01.06 -> 12.06	Pre cat Left	250-24680
					01.06 -> 12.06	Pre cat Right	250-24680
					01.06 -> 12.06	Post cat Left	250-24253
					01.06 -> 12.06	Post cat Right	250-24253
					01.07 -> 12.07	Pre cat Left	250-24253
					01.07 -> 12.07	Pre cat Right	250-24253
					01.07 -> 12.07	Post cat Left	250-24253
					01.07 -> 12.07	Post cat Right	250-24460



Model / Liter	Body Code	Engine kW	Engine Code	Application Identifier Engine or Chassis	Year From→ To	Position	Walker Direct Fit
<b>DODGE (cont'd)</b>							
<b>CHARGER (cont'd)</b>							
5.7	H				01.08 -> 12.08	Pre cat Left	250-24253
					01.08 -> 12.08	Pre cat Right	250-24253
					01.08 -> 12.08	Post cat Left	250-24253
					01.08 -> 12.08	Post cat Right	250-24253
6.1	W				01.06 -> 12.06	Pre cat Left	250-24680
					01.06 -> 12.06	Pre cat Right	250-24680
					01.06 -> 12.06	Post cat Left	250-24253
					01.06 -> 12.06	Post cat Right	250-24460
					01.07 -> 12.07	Pre cat Left	250-24253
					01.07 -> 12.07	Pre cat Right	250-24253
					01.07 -> 12.07	Post cat Left	250-24253
					01.07 -> 12.07	Post cat Right	250-24460
					01.08 -> 12.08	Pre cat Left	250-24253
					01.08 -> 12.08	Pre cat Right	250-24253
					01.08 -> 12.08	Post cat Left	250-24253
					01.08 -> 12.08	Post cat Right	250-24253
<b>DAKOTA</b>							
2.5					01.89 -> 12.95	Pre cat	250-24004
					01.96 -> 12.96	Pre cat	250-24004
					01.96 -> 12.96	Post cat	250-24079
					01.97 -> 12.97	Pre cat	250-24077
					01.97 -> 12.97	Post cat	250-24079
					01.98 -> 12.00	Pre cat	250-24077
					01.98 -> 12.00	Post cat	250-24078
					01.01 -> 12.02	Pre cat	250-24260
					01.01 -> 12.02	Post cat	250-24345
3.7					01.04 -> 12.04	Pre cat Left	250-24253
					01.04 -> 12.04	Pre cat Right	250-24253
					01.04 -> 12.04	Post cat Left	250-24317
					01.04 -> 12.04	Post cat Right	250-24319
					01.05 -> 12.05	Pre cat Left	250-24253
					01.05 -> 12.05	Pre cat Right	250-24253
					01.05 -> 12.05	Post cat Left	250-24317
					01.05 -> 12.05	Post cat Right	250-24319
					01.06 -> 12.06	Pre cat Left	250-24253
					01.06 -> 12.06	Pre cat Right	250-24253
					01.06 -> 12.06	Post cat Left	250-24317
					01.06 -> 12.06	Post cat Right	250-24319
					01.07 -> 12.08	Pre cat Left	250-24253
					01.07 -> 12.08	Pre cat Right	250-24253
					01.07 -> 12.08	Post cat Left	250-24317
					01.07 -> 12.08	Post cat Right	250-24319
3.9					01.90 -> 12.95	Pre cat	250-24002
					01.96 -> 12.97	Pre cat	250-24077
					01.96 -> 12.97	Post cat	250-24079
					01.98 -> 12.00	Pre cat	250-24077
					01.98 -> 12.00	Post cat	250-24078
					01.01 -> 12.01	Pre cat Left	250-24253
					01.01 -> 12.01	Pre cat Right	250-24253
					01.01 -> 12.01	Post cat Left	250-24317
					01.01 -> 12.01	Post cat Right	250-24319
					01.02 -> 12.02	Pre cat	250-24260
					01.02 -> 12.02	Post cat	250-24345
					01.03 -> 12.03	Pre cat Left	250-24253
					01.03 -> 12.03	Pre cat Right	250-24253
					01.03 -> 12.03	Post cat Left	250-24317
					01.03 -> 12.03	Post cat Right	250-24319
4.7					01.00 -> 12.00	Pre cat	250-24115
					01.00 -> 12.00	Post cat	250-24115
			A/T		01.01 -> 12.01	Pre cat Left	250-24258
			A/T		01.01 -> 12.01	Pre cat Right	250-24258
			A/T		01.01 -> 12.01	Post cat Left	250-24276
			A/T		01.01 -> 12.01	Post cat Right	250-24316
			M/T		01.01 -> 12.01	Pre cat Left	250-24258
			M/T		01.01 -> 12.01	Pre cat Right	250-24258
			M/T		01.01 -> 12.01	Post cat Left	250-24316
			M/T		01.01 -> 12.01	Post cat Right	250-24316



Model / Liter	Body Code	Engine kW	Engine Code	Application Identifier Engine or Chassis	Year From→To	Position	Walker Direct Fit
<b>DODGE (cont'd)</b>							
<b>DAKOTA (cont'd)</b>							
4.7			A/T		01.02 -> 12.03	Pre cat Left	250-24251
			A/T		01.02 -> 12.03	Pre cat Right	250-24251
			A/T		01.02 -> 12.03	Post cat Left	250-24252
			A/T		01.02 -> 12.03	Post cat Right	250-24251
			M/T		01.02 -> 12.03	Pre cat Left	250-24251
			M/T		01.02 -> 12.03	Pre cat Right	250-24251
			M/T		01.02 -> 12.03	Post cat Left	250-24251
			M/T		01.02 -> 12.03	Post cat Right	250-24251
					01.04 -> 12.04	Pre cat Left	250-24251
					01.04 -> 12.04	Pre cat Right	250-24251
					01.04 -> 12.04	Post cat Left	250-24252
					01.04 -> 12.04	Post cat Right	250-24251
					01.05 -> 12.05	Pre cat Left	250-24252
					01.05 -> 12.05	Pre cat Right	250-24252
					01.05 -> 12.05	Post cat Left	250-24251
					01.05 -> 12.05	Post cat Right	250-24252
					01.06 -> 12.06	Pre cat Left	250-24252
					01.06 -> 12.06	Pre cat Right	250-24251
					01.06 -> 12.06	Post cat Left	250-24251
					01.06 -> 12.06	Post cat Right	250-24252
					01.07 -> 12.07	Pre cat Left	250-24252
					01.07 -> 12.07	Pre cat Right	250-24251
					01.07 -> 12.07	Post cat Left	250-24251
					01.07 -> 12.07	Post cat Right	250-24251
					01.08 -> 12.08	Pre cat Left	250-24253
					01.08 -> 12.08	Pre cat Right	250-24460
					01.08 -> 12.08	Post cat Left	250-24460
					01.08 -> 12.08	Post cat Right	250-24460
5.2					01.94 -> 12.95	Pre cat	250-24002
					01.96 -> 12.97	Pre cat	250-24077
					01.96 -> 12.97	Post cat	250-24079
					01.98 -> 12.99	Pre cat	250-24077
					01.98 -> 12.99	Post cat	250-24078
5.9					01.98 -> 12.98	Pre cat Left	250-24077
					01.98 -> 12.98	Pre cat Right	250-24080
					01.98 -> 12.98	Post cat	• 250-24078
					01.99 -> 12.99	Pre cat Left	250-24077
					01.99 -> 12.99	Pre cat Right	250-24077
					01.99 -> 12.99	Post cat	• 250-24078
					01.00 -> 12.00	Pre cat	250-24077
					01.00 -> 12.00	Post cat	250-24078
					01.01 -> 12.01	Pre cat Left	250-24460
					01.01 -> 12.01	Pre cat Right	250-24253
					01.01 -> 12.01	Post cat Left	250-24317
					01.01 -> 12.01	Post cat Right	250-24319
					01.02 -> 12.02	Pre cat	250-24260
					01.02 -> 12.02	Post cat	250-24345
			Exc. Quad Cab		01.03 -> 12.03	Pre cat Left	250-24460
			Exc. Quad Cab		01.03 -> 12.03	Pre cat Right	250-24253
			Exc. Quad Cab		01.03 -> 12.03	Post cat Left	250-24317
			Exc. Quad Cab		01.03 -> 12.03	Post cat Right	250-24319
			Quad Cab		01.03 -> 12.03	Pre cat Left	250-24260
			Quad Cab		01.03 -> 12.03	Pre cat Right	250-24260
			Quad Cab		01.03 -> 12.03	Post cat Left	250-24345
			Quad Cab		01.03 -> 12.03	Post cat Right	250-24345
<b>DURANGO</b>							
3.7					01.04 -> 12.04	Pre cat Left	250-24253
					01.04 -> 12.04	Pre cat Right	250-24253
					01.04 -> 12.04	Post cat Left	250-24317
					01.04 -> 12.04	Post cat Right	250-24319
					01.05 -> 12.06	Pre cat Left	250-24680
					01.05 -> 12.06	Pre cat Right	250-24680
					01.05 -> 12.06	Post cat Left	250-24460
					01.05 -> 12.06	Post cat Right	250-24253
					01.07 -> 12.08	Pre cat Left	250-24253
					01.07 -> 12.08	Pre cat Right	250-24253
					01.07 -> 12.08	Post cat Left	250-24460
					01.07 -> 12.08	Post cat Right	250-24460



Model / Liter	Body Code	Engine kW	Engine Code	Application Identifier Engine or Chassis	Year From → To	Position	Walker Direct Fit
<b>DODGE (cont'd)</b>							
<b>DURANGO (cont'd)</b>							
3.9					01.98 -> 12.99	Pre cat	250-24077
					01.98 -> 12.99	Post cat	250-24078
4.7					01.00 -> 12.00	Pre cat Left	250-24115
					01.00 -> 12.00	Pre cat Right	250-24115
					01.00 -> 12.00	Post cat Left	250-24100
					01.00 -> 12.00	Post cat Right	250-24100
					01.01 -> 12.01	Pre cat	250-24258
					01.01 -> 12.01	Post cat	250-24316
					01.02 -> 12.02	Pre cat Left	250-24258
					01.02 -> 12.02	Pre cat Right	250-24258
					01.02 -> 12.02	Post cat Left	250-24316
					01.02 -> 12.02	Post cat Right	250-24316
					01.03 -> 12.03	Pre cat	250-24251
					01.03 -> 12.03	Post cat	250-24251
					01.04 -> 12.05	Pre cat Left	250-24251
					01.04 -> 12.05	Pre cat Right	250-24251
					01.04 -> 12.05	Post cat Left	250-24252
					01.04 -> 12.05	Post cat Right	250-24251
					01.06 -> 12.06	Pre cat Left	250-24252
					01.06 -> 12.06	Pre cat Right	250-24252
					01.06 -> 12.06	Post cat Left	250-24251
					01.06 -> 12.06	Post cat Right	250-24252
					01.07 -> 12.07	Pre cat Left	250-24252
					01.07 -> 12.07	Pre cat Right	250-24252
					01.07 -> 12.07	Post cat Left	250-24251
					01.07 -> 12.07	Post cat Right	250-24251
					01.08 -> 12.08	Pre cat Left	250-24253
					01.08 -> 12.08	Pre cat Right	250-24253
					01.08 -> 12.08	Post cat Left	250-24460
					01.08 -> 12.08	Post cat Right	250-24460
5.2					01.98 -> 12.00	Pre cat	250-24077
					01.98 -> 12.00	Post cat	250-24078
5.7					01.04 -> 12.04	Pre cat Left	250-24253
					01.04 -> 12.04	Pre cat Right	250-24253
					01.04 -> 12.04	Post cat Left	250-24317
					01.04 -> 12.04	Post cat Right	250-24319
					01.05 -> 12.05	Pre cat Left	250-24680
					01.05 -> 12.05	Pre cat Right	250-24680
					01.05 -> 12.05	Post cat Left	250-24460
					01.05 -> 12.05	Post cat Right	250-24253
					01.06 -> 12.06	Pre cat Left	250-24680
					01.06 -> 12.06	Pre cat Right	250-24680
					01.06 -> 12.06	Post cat Left	250-24253
					01.06 -> 12.06	Post cat Right	250-24253
					01.07 -> 12.08	Pre cat Left	250-24253
					01.07 -> 12.08	Pre cat Right	250-24253
					01.07 -> 12.08	Post cat Left	250-24253
					01.07 -> 12.08	Post cat Right	250-24253
5.9					01.98 -> 12.00	Pre cat	250-24077
					01.98 -> 12.00	Post cat	250-24078
					01.01 -> 12.03	Pre cat	250-24260
					01.01 -> 12.03	Post cat	250-24345
<b>NITRO</b>							
3.7	K				01.07 -> 12.08	Pre cat Left	250-24253
					01.07 -> 12.08	Pre cat Right	250-24253
					01.07 -> 12.08	Post cat Left	250-24253
4.0	6				01.07 -> 12.08	Post cat Right	250-24253
					01.07 -> 12.08	Pre cat Left	250-24253
					01.07 -> 12.08	Pre cat Right	250-24253
					01.07 -> 12.08	Post cat Left	250-24253
					01.07 -> 12.08	Post cat Right	250-24253
<b>PICKUP RAM 1500</b>							
3.7					01.02 -> 12.02	Pre cat Left	250-24260
					01.02 -> 12.02	Pre cat Right	250-24260
					01.02 -> 12.02	Post cat Left	250-24255
					01.02 -> 12.02	Post cat Right	250-24255





Model / Liter	Body Code	Engine kW	Engine Code	Application Identifier Engine or Chassis	Year From→To	Position	Walker Direct Fit
<b>DODGE (cont'd)</b>							
<b>PICKUP RAM 1500 (cont'd)</b>							
3.7			A/T		01.03 -> 12.03	Pre cat	250-24260
			A/T		01.03 -> 12.03	Post cat	250-24345
			M/T		01.03 -> 12.03	Pre cat	250-24260
			M/T		01.03 -> 12.03	Post cat	250-24255
					01.04 -> 12.04	Pre cat	Left 250-24253
					01.04 -> 12.04	Pre cat	Right 250-24253
					01.04 -> 12.04	Post cat	Left 250-24319
					01.04 -> 12.04	Post cat	Right 250-24319
					01.05 -> 12.06	Pre cat	Left 250-24680
					01.05 -> 12.06	Pre cat	Right 250-24680
					01.05 -> 12.06	Post cat	Left 250-24253
					01.05 -> 12.06	Post cat	Right 250-24253
					01.07 -> 12.08	Pre cat	Left 250-24253
					01.07 -> 12.08	Pre cat	Right 250-24253
					01.07 -> 12.08	Post cat	Left 250-24253
					01.07 -> 12.08	Post cat	Right 250-24253
3.9			OEM # 56028200		01.95 -> 12.95	Pre cat	250-24004
			OEM # 56041212		01.95 -> 12.95	Pre cat	250-24080
			A/T		01.96 -> 12.96	Pre cat	250-24077
			A/T		01.96 -> 12.96	Post cat	250-24079
			M/T		01.96 -> 12.96	Pre cat	250-24079
			M/T		01.96 -> 12.96	Post cat	250-24079
				Pre cat OEM # 56041212	01.97 -> 12.97	Pre cat	250-24080
				Pre cat OEM # 56041212	01.97 -> 12.97	Post cat	250-24079
				Pre cat OEM # 56041213	01.97 -> 12.97	Pre cat	250-24077
				Pre cat OEM # 56041213	01.97 -> 12.97	Post cat	250-24079
					01.98 -> 12.00	Pre cat	250-24080
					01.98 -> 12.00	Post cat	250-24079
				To 02.2001	01.01 -> 12.01	Pre cat	250-24259
				To 02.2001	01.01 -> 12.01	Pre cat	250-24079
			From 02.2001	01.01 -> 12.01	Pre cat	250-24259	
			From 02.2001	01.01 -> 12.01	Post cat	250-24255	
4.7			A/T		01.02 -> 12.02	Pre cat	250-24258
			A/T		01.02 -> 12.02	Post cat	250-24276
			M/T		01.02 -> 12.02	Pre cat	250-24257
			M/T		01.02 -> 12.02	Post cat	250-24276
					01.03 -> 12.03	Pre cat	Left 250-24251
					01.03 -> 12.03	Pre cat	Right 250-24251
					01.03 -> 12.03	Post cat	Left 250-24252
					01.03 -> 12.03	Post cat	Right 250-24252
					01.04 -> 12.04	Pre cat	Left 250-24251
					01.04 -> 12.04	Pre cat	Right 250-24251
					01.04 -> 12.04	Post cat	Left 250-24251
					01.04 -> 12.04	Post cat	Right 250-24251
					01.05 -> 12.07	Pre cat	Left 250-24252
					01.05 -> 12.07	Pre cat	Right 250-24252
					01.05 -> 12.07	Post cat	Left 250-24252
					01.05 -> 12.07	Post cat	Right 250-24252
					01.08 -> 12.08	Pre cat	Left 250-24253
					01.08 -> 12.08	Pre cat	Right 250-24253
				01.08 -> 12.08	Post cat	Left 250-24253	
				01.08 -> 12.08	Post cat	Right 250-24253	
5.2			OEM # 56028200		01.95 -> 12.95	Pre cat	250-24004
			OEM # 56041212		01.95 -> 12.95	Pre cat	250-24080
			A/T		01.96 -> 12.99	Pre cat	250-24080
			A/T		01.96 -> 12.99	Post cat	250-24079
			M/T		01.96 -> 12.99	Pre cat	250-24077
			M/T		01.96 -> 12.99	Post cat	250-24079
				Pre cat OEM # 56041212	01.97 -> 12.97	Pre cat	250-24080
				Pre cat OEM # 56041212	01.97 -> 12.97	Post cat	250-24079
				Pre cat OEM # 56041213	01.97 -> 12.97	Pre cat	250-24077
				Pre cat OEM # 56041213	01.97 -> 12.97	Post cat	250-24079
					01.00 -> 12.00	Pre cat	250-24080
					01.00 -> 12.00	Post cat	250-24079
				To 02.2001	01.01 -> 12.01	Pre cat	250-24080
				To 02.2001	01.01 -> 12.01	Post cat	250-24079
			From 02.2001	01.01 -> 12.01	Pre cat	250-24259	
			From 02.2001	01.01 -> 12.01	Post cat	250-24255	



Model / Liter	Body Code	kW	Engine Code	Application Identifier Engine or Chassis	Year From→ To	Position	Walker Direct Fit
<b>DODGE (cont'd)</b>							
<b>PICKUP RAM 1500 (cont'd)</b>							
5.7					01.03 -> 12.03	Pre cat Left	250-24253
					01.03 -> 12.03	Pre cat Right	250-24253
					01.03 -> 12.03	Post cat Left	250-24317
					01.03 -> 12.03	Post cat Right	250-24317
					01.04 -> 12.04	Pre cat Left	250-24253
					01.04 -> 12.04	Pre cat Right	250-24253
					01.04 -> 12.04	Post cat Left	250-24319
					01.04 -> 12.04	Post cat Right	250-24319
					01.05 -> 12.06	Pre cat Left	250-24680
					01.05 -> 12.06	Pre cat Right	250-24680
					01.05 -> 12.06	Post cat Left	250-24253
					01.05 -> 12.06	Post cat Right	250-24253
					01.07 -> 12.07	Pre cat Left	250-24253
					01.07 -> 12.07	Pre cat Right	250-24253
					01.07 -> 12.07	Post cat Left	250-24460
					01.07 -> 12.07	Post cat Right	250-24460
			VIN # D		01.08 -> 12.08	Pre cat Left	250-24253
			VIN # D		01.08 -> 12.08	Pre cat Right	250-24253
			VIN # D		01.08 -> 12.08	Post cat Left	250-24460
			VIN # D		01.08 -> 12.08	Post cat Right	250-24460
	EZB		VIN # 2		01.08 -> 12.08	Pre cat Left	250-24253
	EZB		VIN # 2		01.08 -> 12.08	Pre cat Right	250-24253
	EZB		VIN # 2		01.08 -> 12.08	Post cat Left	250-24253
	EZB		VIN # 2		01.08 -> 12.08	Post cat Right	250-24253
5.9				OEM # 56028200	01.95 -> 12.95	Pre cat	250-24004
				OEM # 56028301	01.95 -> 12.95	Pre cat	250-24002
				A/T	01.96 -> 12.96	Pre cat	250-24077
				A/T	01.96 -> 12.96	Post cat	250-24079
				M/T	01.96 -> 12.96	Pre cat	250-24079
				M/T	01.96 -> 12.96	Post cat	250-24079
				Pre cat OEM # 56041212	01.97 -> 12.97	Pre cat	250-24080
				Pre cat OEM # 56041212	01.97 -> 12.97	Post cat	250-24079
				Pre cat OEM # 56041213	01.97 -> 12.97	Pre cat	250-24077
				Pre cat OEM # 56041213	01.97 -> 12.97	Post cat	250-24079
				A/T	01.98 -> 12.00	Pre cat	250-24080
				A/T	01.98 -> 12.00	Post cat	250-24079
				M/T	01.98 -> 12.00	Pre cat	250-24077
				M/T	01.98 -> 12.00	Post cat	250-24079
				To 02.2001	01.01 -> 12.01	Pre cat	250-24077
				To 02.2001	01.01 -> 12.01	Post cat	250-24079
				From 02.2001	01.01 -> 12.01	Pre cat	250-24077
				From 02.2001	01.01 -> 12.01	Post cat	250-24255
					01.02 -> 12.02	Pre cat	250-24259
					01.02 -> 12.02	Post cat	250-24255
					01.03 -> 12.03	Pre cat Left	250-24259
					01.03 -> 12.03	Pre cat Right	250-24259
					01.03 -> 12.03	Post cat Left	250-24255
					01.03 -> 12.03	Post cat Right	250-24255
8.3					01.04 -> 12.06	Pre cat Left	250-24253
					01.04 -> 12.06	Pre cat Right	250-24460
					01.04 -> 12.06	Post cat Left	250-24317
					01.04 -> 12.06	Post cat Right	250-24319
<b>PICKUP RAM 2500</b>							
5.2				OEM # 56028200	01.94 -> 12.95	Pre cat	250-24004
				OEM # 56041212	01.94 -> 12.95	Pre cat	250-24080
				A/T	01.96 -> 12.96	Pre cat	250-24077
				A/T	01.96 -> 12.96	Post cat	250-24079
				M/T	01.96 -> 12.96	Pre cat	250-24079
				M/T	01.96 -> 12.96	Post cat	250-24079
5.7					01.03 -> 12.03	Pre cat Left	250-24253
					01.03 -> 12.03	Pre cat Right	250-24253
					01.03 -> 12.03	Post cat Left	250-24319
					01.03 -> 12.03	Post cat Right	250-24319
					01.04 -> 12.04	Pre cat Left	250-24253
					01.04 -> 12.04	Pre cat Right	250-24253
					01.04 -> 12.04	Post cat Left	250-24317
					01.04 -> 12.04	Post cat Right	250-24317



Model / Liter	Body Code	Engine kW	Engine Code	Application Identifier Engine or Chassis	Year From→To	Position	Walker Direct Fit
<b>DODGE (cont'd)</b>							
<b>PICKUP RAM 2500 (cont'd)</b>							
5.7					01.05 -> 12.05	Pre cat Left	250-24680
					01.05 -> 12.05	Pre cat Right	250-24680
					01.05 -> 12.05	Post cat Left	250-24253
					01.05 -> 12.05	Post cat Right	250-24253
					01.06 -> 12.06	Pre cat Left	250-24680
					01.06 -> 12.06	Pre cat Right	250-24680
					01.06 -> 12.06	Post cat Left	250-24460
					01.06 -> 12.06	Post cat Right	250-24460
					01.07 -> 12.08	Pre cat Left	250-24253
					01.07 -> 12.08	Pre cat Right	250-24253
					01.07 -> 12.08	Post cat Left	250-24460
					01.07 -> 12.08	Post cat Right	250-24460
5.9			OEM # 56028200		01.95 -> 12.95	Pre cat	250-24004
			OEM # 56041212		01.95 -> 12.95	Pre cat	250-24080
			A/T		01.96 -> 12.00	Pre cat	250-24080
			A/T		01.96 -> 12.00	Post cat	250-24079
			M/T		01.96 -> 12.00	Pre cat	250-24077
			M/T		01.96 -> 12.00	Post cat	250-24079
			To 02.2001		01.01 -> 12.01	Pre cat	250-24077
			To 02.2001		01.01 -> 12.01	Post cat	250-24079
			From 02.2001		01.01 -> 12.01	Pre cat	250-24077
			From 02.2001		01.01 -> 12.01	Post cat	250-24255
					01.02 -> 12.02	Pre cat	250-24259
					01.02 -> 12.02	Post cat	250-24255
6.7			Diesel Engine		01.07 -> 12.08	Pre cat	250-25034
			Diesel Engine		01.07 -> 12.08	Post cat	250-25034
8.0					01.00 -> 12.00	Pre cat Left	250-24080
					01.00 -> 12.00	Pre cat Right	250-24080
					01.00 -> 12.00	Post cat	• 250-24079
			To 02.2001		01.01 -> 12.01	Pre cat Left	250-24255
			To 02.2001		01.01 -> 12.01	Pre cat Right	250-24255
			To 02.2001		01.01 -> 12.01	Post cat	• 250-24079
			From 02.2001		01.01 -> 12.01	Pre cat Left	250-24259
			From 02.2001		01.01 -> 12.01	Pre cat Right	250-24259
			From 02.2001		01.01 -> 12.01	Post cat	250-24255
					01.02 -> 12.02	Pre cat Left	250-24259
					01.02 -> 12.02	Pre cat Right	250-24259
					01.02 -> 12.02	Post cat	• 250-24255
					01.03 -> 12.03	Pre cat Left	250-24460
					01.03 -> 12.03	Pre cat Right	250-24253
					01.03 -> 12.03	Center	• 250-24251
					01.03 -> 12.03	Post cat	• 250-24319
			Medium Duty Chassis		01.96 -> 12.96	Pre cat Left	250-24079
			Medium Duty Chassis		01.96 -> 12.96	Pre cat Right	250-24079
			Medium Duty Chassis		01.96 -> 12.96	Center	• 250-24077
			Medium Duty Chassis		01.96 -> 12.96	Post cat	• 250-24079
			Heavy Duty Chassis		01.96 -> 12.96	Pre cat Left	250-24079
			Heavy Duty Chassis		01.96 -> 12.96	Pre cat Right	250-24079
			Medium Duty Chassis		01.97 -> 12.98	Pre cat Left	250-24080
			Medium Duty Chassis		01.97 -> 12.98	Pre cat Right	250-24080
			Medium Duty Chassis		01.97 -> 12.98	Center	• 250-24077
			Medium Duty Chassis		01.97 -> 12.98	Post cat	• 250-24079
			Heavy Duty Chassis		01.97 -> 12.98	Pre cat Left	250-24080
			Heavy Duty Chassis		01.97 -> 12.98	Pre cat Right	250-24080
					01.99 -> 12.99	Pre cat Left	250-24079
					01.99 -> 12.99	Pre cat Right	250-24079
					01.99 -> 12.99	Post cat	• 250-24079
<b>PICKUP RAM 3500</b>							
5.7					01.03 -> 12.03	Pre cat Left	250-24253
					01.03 -> 12.03	Pre cat Right	250-24253
					01.03 -> 12.03	Post cat Left	250-24319
					01.03 -> 12.03	Post cat Right	250-24319
					01.04 -> 12.04	Pre cat Left	250-24253
					01.04 -> 12.04	Pre cat Right	250-24253
					01.04 -> 12.04	Post cat Left	250-24317
					01.04 -> 12.04	Post cat Right	250-24317



Model / Liter	Body Code	Engine kW	Engine Code	Application Identifier Engine or Chassis	Year From→ To	Position	Walker Direct Fit
<b>DODGE (cont'd)</b>							
<b>PICKUP RAM 3500 (cont'd)</b>							
5.7					01.05 -> 12.05	Pre cat Left	250-24680
					01.05 -> 12.05	Pre cat Right	250-24680
					01.05 -> 12.05	Post cat Left	250-24253
					01.05 -> 12.05	Post cat Right	250-24253
					01.06 -> 12.06	Pre cat Left	250-24680
					01.06 -> 12.06	Pre cat Right	250-24680
					01.06 -> 12.06	Post cat Left	250-24460
					01.06 -> 12.06	Post cat Right	250-24460
					01.07 -> 12.08	Pre cat Left	250-24253
					01.07 -> 12.08	Pre cat Right	250-24253
					01.07 -> 12.08	Post cat Left	250-24460
					01.07 -> 12.08	Post cat Right	250-24460
5.9				OEM # 56028200	01.95 -> 12.95	Pre cat	250-24004
				OEM # 56041212	01.95 -> 12.95	Pre cat	250-24080
					01.96 -> 12.96	Pre cat Left	250-24079
					01.96 -> 12.96	Pre cat Right	250-24079
					01.97 -> 12.97	Pre cat Left	250-24077
					01.97 -> 12.97	Pre cat Right	250-24080
					01.97 -> 12.97	Post cat	•250-24079
				Heavy Duty Chassis	01.97 -> 12.97	Pre cat Left	250-24077
				Heavy Duty Chassis	01.97 -> 12.97	Pre cat Right	250-24080
				A/T	01.98 -> 12.98	Pre cat	250-24080
				A/T	01.98 -> 12.98	Post cat	250-24079
				M/T	01.98 -> 12.98	Pre cat	250-24077
				M/T	01.98 -> 12.98	Post cat	250-24079
				Heavy Duty Chassis	01.98 -> 12.98	Pre cat Left	250-24080
				Heavy Duty Chassis	01.98 -> 12.98	Pre cat Right	250-24080
					01.99 -> 12.99	Pre cat Left	250-24077
					01.99 -> 12.99	Pre cat Right	250-24080
					01.99 -> 12.99	Post cat	•250-24079
				Heavy Duty Chassis	01.99 -> 12.99	Pre cat Left	250-24077
				Heavy Duty Chassis	01.99 -> 12.99	Pre cat Right	250-24080
					01.00 -> 12.00	Pre cat Left	250-24077
					01.00 -> 12.00	Pre cat Right	250-24077
					01.00 -> 12.00	Post cat	•250-24079
				Heavy Duty Chassis	01.00 -> 12.00	Pre cat Left	250-24077
				Heavy Duty Chassis	01.00 -> 12.00	Pre cat Right	250-24080
				To 02.2001	01.01 -> 12.01	Pre cat	250-24077
				To 02.2001	01.01 -> 12.01	Post cat	250-24079
				From 02.2001	01.01 -> 12.01	Pre cat	250-24077
				From 02.2001	01.01 -> 12.01	Post cat	250-24255
				Heavy Duty Chassis	01.01 -> 12.01	Pre cat Left	250-24079
				Heavy Duty Chassis	01.01 -> 12.01	Pre cat Right	250-24080
					01.02 -> 12.02	Pre cat	250-24259
					01.02 -> 12.02	Post cat	250-24255
6.7				Diesel Engine	01.07 -> 12.08	Pre cat	250-25034
				Diesel Engine	01.07 -> 12.08	Post cat	250-25034
8.0				Medium Duty Chassis	01.96 -> 12.96	Pre cat Left	250-24079
				Medium Duty Chassis	01.96 -> 12.96	Pre cat Right	250-24079
				Medium Duty Chassis	01.96 -> 12.96	Center	•250-24077
				Medium Duty Chassis	01.96 -> 12.96	Post cat	•250-24079
				Heavy Duty Chassis	01.96 -> 12.96	Pre cat Left	250-24079
				Heavy Duty Chassis	01.96 -> 12.96	Pre cat Right	250-24079
				Medium Duty Chassis	01.97 -> 12.98	Pre cat Left	250-24080
				Medium Duty Chassis	01.97 -> 12.98	Pre cat Right	250-24080
				Medium Duty Chassis	01.97 -> 12.98	Center	•250-24077
				Medium Duty Chassis	01.97 -> 12.98	Post cat	•250-24079
				Heavy Duty Chassis	01.97 -> 12.98	Pre cat Left	250-24080
				Heavy Duty Chassis	01.97 -> 12.98	Pre cat Right	250-24080
					01.99 -> 12.99	Pre cat Left	250-24077
					01.99 -> 12.99	Pre cat Right	250-24077
					01.00 -> 12.00	Pre cat Left	250-24080
					01.00 -> 12.00	Pre cat Right	250-24080
					01.00 -> 12.00	Post cat	•250-24079
				To 02.2001	01.01 -> 12.01	Pre cat Left	250-24255
				To 02.2001	01.01 -> 12.01	Pre cat Right	250-24255
				To 02.2001	01.01 -> 12.01	Post cat	•250-24079





Model / Liter	Body Code	Engine kW	Engine Code	Application Identifier Engine or Chassis	Year From→To	Position	Walker Direct Fit
<b>DODGE (cont'd)</b>							
<b>PICKUP RAM 3500 (cont'd)</b>							
8.0				From 02.2001	01.01 -> 12.01	Pre cat Left	250-24259
				From 02.2001	01.01 -> 12.01	Pre cat Right	250-24259
				From 02.2001	01.01 -> 12.01	Post cat	•250-24255
					01.02 -> 12.02	Pre cat Left	250-24259
					01.02 -> 12.02	Pre cat Right	250-24259
					01.02 -> 12.02	Post cat	•250-24255
					01.03 -> 12.03	Pre cat Left	250-24460
					01.03 -> 12.03	Pre cat Right	250-24253
					01.03 -> 12.03	Center	•250-24251
					01.03 -> 12.03	Post cat	•250-24319
<b>VAN RAM 1500</b>							
3.9					01.99 -> 12.00	Pre cat	250-24077
					01.99 -> 12.00	Post cat	250-24079
					01.01 -> 12.03	Pre cat	250-24260
					01.01 -> 12.03	Post cat	250-24255
5.2					01.99 -> 12.00	Pre cat	250-24077
					01.99 -> 12.00	Post cat	250-24079
					01.01 -> 12.03	Pre cat	250-24260
					01.01 -> 12.03	Post cat	250-24255
5.9					01.99 -> 12.00	Pre cat	250-24077
					01.99 -> 12.00	Post cat	250-24079
					01.01 -> 12.02	Pre cat	250-24260
					01.01 -> 12.02	Post cat	250-24255
					01.03 -> 12.03	Pre cat	250-24260
					01.03 -> 12.03	Post cat	250-24255
<b>VAN RAM 2500</b>							
3.9					01.01 -> 12.01	Pre cat	250-24260
					01.01 -> 12.01	Post cat	250-24255
5.2					01.99 -> 12.00	Pre cat	250-24077
					01.99 -> 12.00	Post cat	250-24079
					01.01 -> 12.03	Pre cat	250-24260
					01.01 -> 12.03	Post cat	250-24255
5.9					01.99 -> 12.00	Pre cat	250-24077
					01.99 -> 12.00	Post cat	250-24079
					01.01 -> 12.02	Pre cat	250-24260
					01.01 -> 12.02	Post cat	250-24255
					01.03 -> 12.03	Pre cat	250-24260
					01.03 -> 12.03	Post cat	250-24255
<b>VAN RAM 3500</b>							
5.2					01.99 -> 12.00	Pre cat	250-24077
					01.99 -> 12.00	Post cat	250-24079
					01.01 -> 12.03	Pre cat	250-24260
					01.01 -> 12.03	Post cat	250-24255
5.9					01.99 -> 12.00	Pre cat	250-24077
					01.99 -> 12.00	Post cat	250-24079
					01.01 -> 12.02	Pre cat	250-24260
					01.01 -> 12.02	Post cat	250-24255
					01.01 -> 12.03	Pre cat	250-24260
					01.01 -> 12.03	Post cat	250-24255
<b>VIPER</b>							
8.0			EWB		01.92 -> 12.95	Pre cat Left	250-24002
			EWB		01.92 -> 12.95	Pre cat Right	250-24002
					01.96 -> 12.02	Pre cat Left	250-24080
					01.96 -> 12.02	Pre cat Right	250-24080
					01.96 -> 12.02	Post cat Left	250-24079
					01.96 -> 12.02	Post cat Right	250-24079
8.3					01.03 -> 12.06	Pre cat Left	250-24460
					01.03 -> 12.06	Pre cat Right	250-24460
					01.03 -> 12.06	Post cat Left	250-24317
					01.03 -> 12.06	Post cat Right	250-24317
<b>FERRARI</b>							
<b>5 MARANELLO</b>							
550		357	F 133		10.96 ->	Pre cat	250-24144
					10.96 ->	Post cat	250-24598
<b>360 MODENA</b>							
360 F1	F131	294	F 131 B40		03.99 -> 12.04	Pre cat	250-25005
			F 131 B40		03.99 -> 12.04	Post cat	250-24748



Model / Liter	Body Code	kW	Engine Code	Application Identifier Engine or Chassis	Year From → To	Position	Walker Direct Fit	
<b>FIAT</b>								
<b>BRAVA</b>								
1.4	182	55	182 A5_	Fr. Ch. No. 4029960	10.95 → 09.98		250-24190	
1.4 12 V	182	59	182 A3_	Fr. Ch. No. 4029960	10.95 → 08.98		250-24190	
1.6 16V	182	66	182 A6_		10.95 → 09.98		250-24818	
			182 A4_		10.96 → 04.98		250-24818	
			182 A4_		04.98 → 10.01		250-24531	
			182A4.027		10.98 → 10.01		250-24119	
1.8 GT 16V	182	83	182 A2_		10.96 → 07.99		250-24818	
			182 A2_		07.99 → 10.01		250-24190	
<b>BRAVA 80</b>								
1.2 16V	182	59	188 A5_		10.00 → 10.01	Pre cat	250-24564	
			188 A5_		10.00 → 10.01	Post cat	250-24695	
			60	182 B2_		12.98 → 10.00		250-24564
			60	182 B6_		12.98 → 10.00	Pre cat	250-24531
					12.98 → 10.00	Post cat	250-24524	
<b>BRAVO</b>								
1.4	182	55	182 A5_		10.95 → 09.98		250-24190	
			59	182 A3_	Fr. Ch. No. 4029960	10.95 → 09.98		250-24190
			66	192 B2		04.07 →	Pre cat	250-24564
			66	192 B2		04.07 →	Post cat	250-24564
1.4 T-Jet		88	198 A4_		09.07 →	Pre cat	250-24564	
					09.07 →	Post cat	250-24695	
			110	198 A1		09.07 →	Pre cat	250-24564
					09.07 →	Post cat	250-24695	
1.6 16V	182	66	182 A6_		10.95 → 09.98		250-24818	
			76	182 A4_		10.96 → 04.98		250-24818
				182 A4_ 182 B6_		04.98 → 10.01	Pre cat	250-24531
				182 B6_		10.98 → 10.01	Post cat	250-24524
1.8 GT	182	83	182 A2_		10.95 → 07.99		250-24818	
2.0 HGT 20V	182	108	182 A2_	Fr. Ch. No. 4873621	07.99 → 10.01		250-24190	
			113	182 A1_		10.95 → 07.98		250-24119
				182 A1_		07.98 → 09.98		250-24119
				182 B7_		10.98 → 10.01		250-24695
<b>BRAVO 80</b>								
1.2 16V	182	59	188 A5_		10.00 → 10.01	Pre cat	250-24564	
			188 A5_		10.00 → 10.01	Post cat	250-24695	
			60	182 B2_ 182 A5_		12.98 → 10.00	Pre cat	250-24564
				188 A5_		12.98 → 10.00	Post cat	250-24695
<b>DOBLO</b>								
1.2	119	48	223 A5_		03.01 → 12.05	Pre cat	250-24564	
			223 A5_		03.01 → 12.03	Post cat	250-24705	
1.4	119	57	350 A1_		01.06 →	Pre cat	250-24564	
			350 A1_		01.06 →	Post cat	250-24564	
1.6 Natural Power	119	76	182 B6_		01.04 →	Pre cat	250-24190	
			182 B6_		01.04 →	Post cat	250-24190	
1.6 16V	119	76	182 B6_		10.01 → 12.05	Pre cat	250-24695	
			182 B6_		10.01 → 12.03	Post cat	250-24705	
			182 B6_		01.04 → 12.05	Post cat	250-24695	
<b>DOBLO Cargo</b>								
1.2	223	48	223 A5_		03.01 → 12.05	Pre cat	250-24564	
			223 A5_		03.01 → 12.03	Post cat	250-24705	
			223 A5_		01.04 → 12.05	Post cat	250-24564	
1.4	223	57	350 A1_		01.06 →	Pre cat	250-24564	
			350 A1_		01.06 →	Post cat	250-24564	
1.6 Natural Power	223	76	182 B6_		01.04 →	Pre cat	250-24190	
			182 B6_		01.04 →	Post cat	250-24190	
1.6 16V	223	76	182 B6_		10.01 → 12.03	Pre cat	250-24695	
			182 B6_		10.01 → 12.03	Post cat	250-24705	
<b>IDEA</b>								
1.2 16V		59	188 A5_		02.04 →	Pre cat	250-24564	
			188 A5_		02.04 →	Post cat	250-24564	
1.4		66	192 B2_		12.03 →	Pre cat	250-24564	
			57	350 A1_		10.05 →	Pre cat	250-24564
				350 A1_		10.05 →	Post cat	250-24564
1.4 16V		70	192 B2_ 843 A1_		01.04 →	Pre cat	250-24564	
			192 B2_ 843 A1_		01.04 →	Post cat	250-24564	
<b>MAREA</b>								
1.2 16V	185	60	182 B2_		02.99 →		250-24564	
<b>MAREA 80</b>								
1.4 12V	185	59	182 A3_		09.96 → 01.99		250-24190	



Model / Liter	Body Code	Engine kW	Engine Code	Application Identifier Engine or Chassis	Year From→To	Position	Walker Direct Fit	
<b>FIAT (cont'd)</b>								
<b>MAREA 80 (cont'd)</b>								
1.6	185	76	182 B6_		09.00 -> 08.02	Pre cat	250-24531	
			182 B6_		09.00 -> 08.02	Post cat	250-24524	
<b>MAREA 100</b>								
1.6 16V	185	76	182 A4_	Fr. Ch. No. 0176690, 5054799	09.96 ->		250-24818	
			182 A4_		09.96 -> 01.99		250-24531	
			182 A4_		02.99 ->		250-24531	
1.6 16V Bipower	185	76	186 A4_, 185 A3_	Fr. Ch. No. 0270957, 2018321	04.99 -> 11.99	Pre cat	250-24818	
			186 A4, 185 A3_		11.99 ->	Pre cat	250-24531	
<b>MAREA 115</b>								
1.8 16V	185	83	182 A2_	Fr. Ch. No. 0270957, 2018321	09.96 -> 01.99		250-24818	
			182 A2_		02.99 ->		250-24818	
			182 A2_		09.96 ->		250-24190	
<b>MAREA 150</b>								
2.0 20V	185	108	182 A1_	Fr. Ch. No. 0270957, 2018321	09.96 -> 01.99		250-24119	
		110	185 A8_		01.01 ->	Pre cat	250-24564	
			185 A8_		01.01 ->	Post cat	250-24564	
		113	182 B7_		04.99 -> 01.01		250-24695	
<b>MAREA Weekend</b>								
1.2 16V	185	60	182 B2_		02.99 ->		250-24564	
<b>MAREA 80 Weekend</b>								
1.4 12V	185	59	182 A3_		09.96 -> 01.99		250-24190	
<b>MAREA 100 Weekend</b>								
1.6 16V	185	76	182 A4_	Fr. Ch. No. 0176690, 5054799	09.96 ->		250-24818	
			182 A4_		09.96 -> 01.99		250-24531	
			182 A4_		02.99 ->		250-24531	
<b>MAREA 115 Weekend</b>								
	185	83	182 A2_	Fr. Ch. No. 0270957, 2018321	09.96 -> 01.99		250-24818	
			182 A2_		02.99 ->		250-24818	
			182 A2_		02.99 ->		250-24190	
<b>MAREA 150 Weekend</b>								
2.0 150 20V	185	108	182 A1_	Fr. Ch. No. 0270957, 2018321	09.96 -> 01.99		250-24119	
		110	185 A8_		01.01 ->	Pre cat	250-24564	
			185 A8_		01.01 ->	Post cat	250-24564	
		96	182 B7_		04.99 ->		250-24695	
<b>2.4 JTD 130</b>								
<b>PALIO</b>								
1.2	178BX	54	178 C4.066	Fr. Ch. No. 0270957, 2018321	03.01 ->		250-24119	
		59	188 A5_		09.01 ->	Pre cat	250-24564	
			188 A5_		09.01 ->	Post cat	250-24564	
1.4	178BX	51	178 B2_	w/ Cat.	06.99 -> 02.01		250-24531	
			178 B2.016		06.99 -> 02.01		250-24119	
1.6 16V	178BX	74	178 B3_	Fr. Ch. No. 0270957, 2018321	06.99 -> 10.99		250-24524	
			178 B3_		10.99 -> 02.01	Pre cat	250-24531	
<b>PALIO Weekend</b>								
1.2	178DX	44	188 A4_	Fr. Ch. No. 0270957, 2018321	03.01 ->	Pre cat	250-24564	
			188 A4_		03.01 ->	Post cat	250-24564	
	178DX	54	178 B5_		09.97 -> 02.01		250-24721	
1.6 16V	178DX	74	178 B3_	Fr. Ch. No. 0270957, 2018321	09.97 -> 02.01		250-24119	
	178DX	76	182 B6_		02.01 -> 02.01	Pre cat	250-24531	
			182 B6_		02.01 -> 02.01	Post cat	250-24531	
			182 B6_		03.01 ->	Pre cat	250-24190	
			182 B6_		03.01 ->	Post cat	250-24119	
<b>PUNTO</b>								
1.2 Natural Power	188	44	188 A4_	Fr. Ch. No. 0270957, 2018321	09.03 ->	Pre cat	250-24564	
			188 A4_		09.03 ->	Post cat	250-24564	
1.4	188	70	843 A1_	Fr. Ch. No. 0270957, 2018321	09.03 ->	Pre cat	250-24564	
			843 A1_		09.03 ->	Post cat	250-24564	
1.4 GT Turbo	176	96	176 A4_, 176 B6_		09.96 -> 09.99		250-24820	
			176 A4_, 176 B6_;	09.96 -> 09.99		250-24119		
		98	176 A6_	Fr. Eng. No. 9240632	01.94 -> 09.96		250-24820	
			176 A6_	Fr. Eng. No. 9240633	01.94 -> 09.96		250-24119	
1.8 130 HGT	188	96	183 A1_	Fr. Ch. No. 0270957, 2018321	09.99 -> 06.03		250-24531	
			188 A6_		09.99 -> 06.03	Pre cat	Left	250-24190
			188 A6_		09.99 -> 06.03	Pre cat	Right	250-24119
<b>PUNTO 55</b>								
1.1	176	40	176 A6_	Fr. Eng. No. 5795654	09.93 -> 04.97		250-24119	
			176 A6_		09.93 -> 09.99		250-24820	
			176 B2_		09.93 -> 09.99		250-24119	
			176 B2_		10.94 -> 09.99		250-24820	



Model / Liter	Body Code	kW	Engine Code	Application Identifier Engine or Chassis	Year From→ To	Position	Walker Direct Fit
<b>FIAT (cont'd)</b>							
<b>PUNTO 60</b>							
1.2	176	43	176 A7_	Fr. Eng. No. 5795655	01.94 -> 09.99		250-24820
			176 A7_		01.94 -> 04.97		250-24119
		44	176 A7_	Fr. Eng. No. 5795654	03.94 -> 09.99		250-24820
			176 A7_		03.94 -> 04.97		250-24119
			176 B1_	Fr. Eng. No. 5795654	05.94 -> 09.99		250-24820
			176 B1_		03.94 -> 04.97		250-24119
			176 B4_	Fr. Eng. No. 5795654	06.95 -> 09.99		250-24820
			176 B4_		03.94 -> 09.99		250-24119
	188	44	188 A4_		09.99 -> 06.03		250-24564
<b>PUNTO 60 Cabriolet</b>							
1.2	176C	43	176 A7_	Fr. Eng. No. 5795655	04.94 -> 06.00		250-24820
			176 A7_		04.94 -> 04.97		250-24119
		44	176 B4_	A/T	06.95 -> 09.99		250-24119
			176 B4_	M/T;To Eng. No. 5795654	06.95 -> 06.00		250-24820
			176 B4_	M/T; Fr. Eng. No. 5795654	05.95 -> 09.99		250-24119
<b>PUNTO 75</b>							
1.2	176	54	176 A8_	Fr. Eng. No. 5795654	01.94 -> 09.99		250-24820
			176 A8_		01.94 -> 01.98		250-24119
			176 A8_		01.98 -> 09.99		250-24524
<b>PUNTO 80</b>							
1.2 16V	188	59	188 A5_		09.99 -> 06.03	Pre cat	250-24564
			188 A5_		07.03 ->	Post cat	250-24564
<b>PUNTO 85</b>							
1.2 16V	176	63	176 B9_		05.97 -> 09.99		250-24190
<b>PUNTO 85 Cabriolet</b>							
1.2 16V	176C	63	176 B9_		05.97 -> 06.00		250-24190
<b>PUNTO 90</b>							
1.6	176	65	176 A9_		01.94 -> 04.97		250-24000
<b>PUNTO 90 Cabriolet</b>							
1.6	176C	65	176 A9_		04.94 -> 04.97		250-24000
<b>PUNTO Van</b>							
1.1	176L	40	176 B2_	Fr. Eng. No. 5795654	04.96 -> 02.00		250-24820
			176 B2_		04.96 -> 09.99		250-24119
<b>PUNTO 60 Van</b>							
1.2	188AX	44	188 A4_		02.00 ->	Pre cat	250-24564
			188 A4_		07.03 ->	Post cat	250-24564
<b>STILO</b>							
1.2 16V	192	59	188 A5_		02.02 -> 12.03	Pre cat	250-24564
			188 A5_		02.02 ->	Post cat	250-24564
1.4 16V	192	66	192 B2_		03.05 ->	Pre cat	250-24564
			192 B2_		03.05 ->	Post cat	250-24564
		70	843 A1_		01.04 ->	Pre cat	250-24564
			843 A1_		01.04 ->	Post cat	250-24564
1.6 16V	192	76	182 B6_		10.01 -> 12.03	Pre cat	250-24695
			182 B6_		10.01 -> 12.03	Post cat	250-24695
1.8 16V	192	98	192 A4_		10.01 ->	Pre cat	250-24190
			192 A4_		10.01 ->	Pre cat	250-24190
		98	192 A4_		10.01 ->	Post cat	250-24531
2.4 20V	192	125	192 A2_		10.01 ->	Pre cat	250-24564
			192 A2_		10.01 ->	Post cat	250-24564
<b>STILO Multi Wagon</b>							
1.4 16V	192	66	192 B2_		03.05 ->	Pre cat	250-24564
			192 B2_		03.05 ->	Post cat	250-24564
		70	843 A1_		01.04 ->	Pre cat	250-24564
			843 A1_		01.04 ->	Post cat	250-24564
1.6 16V	192	76	182 B6_		01.03 ->	Pre cat	250-24695
			182 B6_		01.03 ->	Post cat	250-24695
		98	192 A4_		01.03 ->	Pre cat	250-24190
			192 A4_		01.03 ->	Pre cat	250-24190
			192 A4_		01.03 ->	Post cat	250-24531
<b>FORD</b>							
<b>CROWN VICTORIA</b>							
4.6					01.92 -> 12.95	Pre cat	250-24001
					01.92 -> 12.95	Pre cat	250-24001
					01.96 -> 12.97	Pre cat	250-24001
					01.96 -> 12.97	Pre cat	250-24001
					01.96 -> 12.97	Post cat	250-24001
					01.96 -> 12.97	Post cat	250-24001





Model / Liter	Body Code	Engine kW	Engine Code	Application Identifier Engine or Chassis	Year From→To	Position	Walker Direct Fit
<b>FORD (cont'd)</b>							
<b>CROWN VICTORIA (cont'd)</b>							
4.6					01.98 -> 12.98	Pre cat Left	250-24749
					01.98 -> 12.98	Pre cat Right	250-24749
					01.98 -> 12.98	Post cat Left	250-24001
					01.98 -> 12.98	Post cat Right	250-24001
					01.99 -> 12.99	Pre cat Left	250-24302
					01.99 -> 12.99	Pre cat Right	250-24302
					01.99 -> 12.99	Post cat Left	250-24001
					01.99 -> 12.99	Post cat Right	250-24001
					01.00 -> 12.08	Pre cat Left	250-24302
					01.00 -> 12.08	Pre cat Right	250-24302
					01.00 -> 12.08	Post cat Left	250-24001
					01.00 -> 12.08	Post cat Right	250-24001
<b>EDGE</b>							
3.5					01.07 -> 12.08	Pre cat Front	250-24301
					01.07 -> 12.08	Pre cat Rear	250-24301
					01.07 -> 12.08	Post cat Front	250-24001
					01.07 -> 12.08	Post cat Rear	250-24001
<b>ESCAPE</b>							
2.0					01.01 -> 12.04	Pre cat	250-24302
					01.01 -> 12.04	Post cat	250-24070
2.3					01.05 -> 12.08	Pre cat	250-24301
					01.05 -> 12.08	Post cat	250-24001
3.0					01.01 -> 12.06	Pre cat Front	250-24302
					01.01 -> 12.06	Pre cat Rear	250-24749
					01.01 -> 12.06	Post cat Front	250-24127
					01.01 -> 12.06	Post cat Rear	250-24127
					01.07 -> 12.08	Pre cat Front	250-24749
					01.07 -> 12.08	Pre cat Rear	250-24749
					01.07 -> 12.08	Post cat Front	250-24127
					01.07 -> 12.08	Post cat Rear	250-24127
<b>EXPEDITION</b>							
4.6					01.97 -> 12.98	Pre cat Left	250-24001
					01.97 -> 12.98	Pre cat Right	250-24001
					01.97 -> 12.98	Post cat Left	250-24001
					01.97 -> 12.98	Post cat Right	250-24001
					01.99 -> 12.04	Pre cat Left	250-24749
					01.99 -> 12.04	Pre cat Right	250-24749
					01.99 -> 12.04	Post cat Left	250-24001
					01.99 -> 12.04	Post cat Right	250-24001
5.4					01.01 -> 12.02	Pre cat Left	250-24701
					01.01 -> 12.02	Pre cat Right	250-24701
					01.01 -> 12.02	Post cat Left	250-24001
					01.01 -> 12.02	Post cat Right	250-24001
					01.03 -> 12.04	Pre cat Left	250-24749
					01.03 -> 12.04	Pre cat Right	250-24749
					01.03 -> 12.04	Post cat Left	250-24001
					01.03 -> 12.04	Post cat Right	250-24001
					01.05 -> 12.08	Pre cat Left	250-24701
					01.05 -> 12.08	Pre cat Right	250-24701
					01.05 -> 12.08	Post cat Left	250-24001
					01.05 -> 12.08	Post cat Right	250-24001
					01.97 -> 12.98	Pre cat Left	250-24001
					01.97 -> 12.98	Pre cat Right	250-24001
					01.97 -> 12.98	Post cat Left	250-24001
					01.97 -> 12.98	Post cat Right	250-24001
					01.99 -> 12.00	Pre cat Left	250-24749
					01.99 -> 12.00	Pre cat Right	250-24749
					01.99 -> 12.00	Post cat Left	250-24001
					01.99 -> 12.00	Post cat Right	250-24001
<b>EXPLORER</b>							
4.0					01.95 -> 12.95	Pre cat Left	250-24001
					01.95 -> 12.95	Pre cat Right	250-24001
			OHV		01.96 -> 12.98	Pre cat Left	250-24001
			OHV		01.96 -> 12.98	Pre cat Right	250-24001
			OHV		01.96 -> 12.98	Post cat	• 250-24070
			SOHC Engine		01.97 -> 12.97	Pre cat Left	250-24070
			SOHC Engine		01.97 -> 12.97	Pre cat Right	250-24070
			SOHC Engine		01.97 -> 12.97	Post cat Left	250-24001
			SOHC Engine		01.97 -> 12.97	Post cat Right	250-24001



Model / Liter	Body Code	Engine kW	Engine Code	Application Identifier Engine or Chassis	Year From→ To	Position	Walker Direct Fit
<b>FORD (cont'd)</b>							
<b>EXPLORER (cont'd)</b>							
4.0				SOHC Engine	01.98 -> 12.98	Pre cat Left	250-24127
				SOHC Engine	01.98 -> 12.98	Pre cat Right	250-24001
				SOHC Engine	01.98 -> 12.98	Post cat Left	250-24001
				SOHC Engine	01.98 -> 12.98	Post cat Right	250-24001
				A/T; OHV	01.99 -> 12.01	Pre cat Left	250-24701
				A/T; OHV	01.99 -> 12.01	Pre cat Right	250-24701
				A/T; OHV	01.99 -> 12.01	Post cat	• 250-24127
				M/T; OHV	01.99 -> 12.01	Pre cat Left	250-24701
				M/T; OHV	01.99 -> 12.01	Pre cat Right	250-24701
				M/T; OHV	01.99 -> 12.01	Post cat	• 250-24070
				SOHC Engine	01.99 -> 12.02	Pre cat Left	250-24701
				SOHC Engine	01.99 -> 12.02	Pre cat Right	250-24701
				SOHC Engine	01.99 -> 12.02	Post cat Left	250-24001
				SOHC Engine	01.99 -> 12.02	Post cat Right	250-24001
					01.02 -> 12.03	Pre cat Left	250-24749
					01.02 -> 12.03	Pre cat Right	250-24749
					01.02 -> 12.03	Post cat Left	250-24001
					01.02 -> 12.03	Post cat Right	250-24001
					01.04 -> 12.08	Pre cat Left	250-24701
					01.04 -> 12.08	Pre cat Right	250-24701
					01.04 -> 12.08	Post cat Left	250-24001
					01.04 -> 12.08	Post cat Right	250-24001
4.6					01.02 -> 12.03	Pre cat Left	250-24749
					01.02 -> 12.03	Pre cat Right	250-24749
					01.02 -> 12.03	Post cat Left	250-24001
					01.02 -> 12.03	Post cat Right	250-24001
					01.04 -> 12.08	Pre cat Left	250-24701
					01.04 -> 12.08	Pre cat Right	250-24701
					01.04 -> 12.08	Post cat Left	250-24001
					01.04 -> 12.08	Post cat Right	250-24001
5.0					01.96 -> 12.01	Pre cat Left	250-24701
					01.96 -> 12.01	Pre cat Right	250-24701
					01.96 -> 12.01	Post cat Left	250-24001
					01.96 -> 12.01	Post cat Right	250-24001
<b>EXPLORER SPORT TRAC</b>							
4.0					01.02 -> 12.02	Pre cat Left	250-24701
					01.02 -> 12.02	Pre cat Right	250-24701
					01.02 -> 12.02	Post cat	• 250-24001
				Flex Fuel Vehicle	01.03 -> 12.04	Pre cat Left	250-24701
				Flex Fuel Vehicle	01.03 -> 12.04	Pre cat Right	250-24701
				Flex Fuel Vehicle	01.03 -> 12.04	Post cat Left	250-24001
				Flex Fuel Vehicle	01.03 -> 12.04	Post cat Right	250-24001
				Flex Fuel Vehicle	01.05 -> 12.05	Pre cat Left	250-24701
				Flex Fuel Vehicle	01.05 -> 12.05	Pre cat Right	250-24701
				Flex Fuel Vehicle	01.05 -> 12.05	Post cat Left	250-24701
				Flex Fuel Vehicle	01.05 -> 12.05	Post cat Right	250-24701
					01.07 -> 12.08	Pre cat Left	250-24701
					01.07 -> 12.08	Pre cat Right	250-24701
					01.07 -> 12.08	Post cat Left	250-24001
					01.07 -> 12.08	Post cat Right	250-24001
4.6					01.07 -> 12.08	Pre cat Left	250-24701
					01.07 -> 12.08	Pre cat Right	250-24701
					01.07 -> 12.08	Post cat Left	250-24001
					01.07 -> 12.08	Post cat Right	250-24001
<b>FIESTA IV</b>							
1.0 i	JA_, JB_		C4, TD		02.97 -> 01.02		250-24552
1.25 i 16V	JA_, JB_		DHA, DHD	A/T	01.96 -> 01.02		250-24283
	JA_, JB_		D_	M/T	09.98 -> 01.02		250-24001
1.3 i	JA_, JB_		JJA, JJC, JJE		10.95 -> 09.98		250-24015
			JJA		09.98 -> 08.99		250-24001
			J4C		09.98 -> 08.99		250-24001
			J4C, J4J, J4L		08.95 -> 01.02		250-24015
1.4 i 16V	JA_, JB_		FHA, FHE		09.99 -> 12.00		250-24283
1.6 16V Sport	JA_, JB_		ZL16		02.00 -> 01.02		250-24552
<b>FIESTA V</b>							
1.3	JH_, JD_		BAJA		10.02 ->	Pre cat	250-24001
			BAJA		11.01 -> 10.02	Post cat	250-24001
	JH_, JD_		A9JA, A9JB		11.01 -> 03.02	Pre cat	250-24001
			A9JA, A9JB		03.02 ->	Post cat	250-24001



Model / Liter	Body Code	Engine kW	Engine Code	Application Identifier Engine or Chassis	Year From→To	Position	Walker Direct Fit
<b>FORD (cont'd)</b>							
<b>FIESTA V (cont'd)</b>							
1.4 16V	JH_, JD_		FXJA, FXJB		03.02 ->		250-24400
1.6 16V	JH_, JD_		FYJB, FYJA		03.02 ->		250-24400
2.0 ST150	JH_, JD_		N4JB		03.05 ->		250-24701
<b>FIVE HUNDRED</b>							
3.0					01.05 -> 12.07	Pre cat Front	250-24302
					01.05 -> 12.07	Pre cat Rear	250-24749
					01.05 -> 12.07	Post cat Front	250-24001
					01.05 -> 12.07	Post cat Rear	250-24001
<b>FOCUS</b>							
1.4 16V	DAW, DBW		FXDA, FXDC		10.98 -> 08.04	Pre cat	250-24001
			FXDA, FXDC		10.98 -> 08.04	Post cat	250-24001
1.4 16V Estate	DNW		FXDA, FXDC	96 EEC	02.99 -> 08.04		250-24701
			FXDA, FXDC		02.99 -> 08.04	Pre cat	250-24001
			FXDA, FXDC		02.99 -> 08.04	Post cat	250-24001
1.4 16V Saloon	DFW		FXDA	96 EEC	02.99 -> 08.04		250-24701
			FXDA		02.99 -> 08.04	Pre cat	250-24001
			FXDA		02.99 -> 08.04	Post cat	250-24001
1.6 16V	DAW, DBW		FYDA	96 EEC	10.98 -> 08.04	Pre cat	250-24701
			FYDA		10.98 -> 08.04	Post cat	250-24001
			FYDC		10.98 -> 08.04	Pre cat	250-24001
			FYDC		10.98 -> 08.04	Post cat	250-24001
1.6 16V Estate	DNW		FYDA		02.99 -> 08.04	Pre cat	250-24701
			FYDA		02.99 -> 08.04	Post cat	250-24001
			FYDC		02.99 -> 08.04	Pre cat	250-24001
			FYDC		02.99 -> 08.04	Post cat	250-24001
1.6 16V Saloon	DFW		FYDA		02.99 -> 08.04	Pre cat	250-24701
			FYDA		02.99 -> 08.04	Post cat	250-24001
			FYDC		02.99 -> 08.04	Pre cat	250-24001
			FYDC		02.99 -> 08.04	Post cat	250-24001
1.8 16V	DAW, DBW		EYDA, EYDC		10.98 -> 08.04	Pre cat	250-24001
			EYDA, EYDC		10.98 -> 08.04	Post cat	250-24001
1.8 16V Estate	DNW		EYDA, EYDC		02.99 -> 08.04	Pre cat	250-24001
			EYDA, EYDC		02.99 -> 08.04	Post cat	250-24001
1.8 16V Saloon	DFW		EYDA, EYDC		02.99 -> 08.04	Pre cat	250-24001
			EYDA, EYDC		02.99 -> 08.04	Post cat	250-24001
2.0					01.00 -> 12.04	Pre cat	250-24302
					01.00 -> 12.04	Post cat	250-24001
					01.05 -> 12.07	Pre cat	250-24678
					01.05 -> 12.07	Center	250-24651
					01.05 -> 12.07	Post cat	250-24656
					01.08 -> 12.08	Pre cat	250-24776
					01.08 -> 12.08	Post cat	250-24651
2.0 SE					01.02 -> 12.02	Pre cat	250-24302
					01.02 -> 12.02	Post cat	250-24070
2.0 16V	DAW, DBW		EDDA, EDDC		10.98 -> 08.04	Pre cat	250-24001
			EDDA, EDDC		10.98 -> 08.04	Post cat	250-24001
2.0 16V Estate	DNW		EDDA, EDDC		02.99 -> 08.04	Pre cat	250-24001
			EDDA, EDDC		02.99 -> 08.04	Post cat	250-24001
2.0 16V Saloon	DFW		EDDA, EDDC		02.99 -> 08.04	Pre cat	250-24001
			EDDA, EDDC		02.99 -> 08.04	Post cat	250-24001
2.0 RS	DAW, DBW		D20RS		10.02 -> 08.04	Pre cat	250-24001
			D20RS		10.02 -> 08.04	Post cat	250-24001
2.0 ST170	DAW, DBW		ZH20EST		03.02 -> 08.04	Pre cat	250-24001
			ZH20EST		03.02 -> 08.04	Post cat	250-24001
2.0 ST170 Estate	DNW		ZH20EST		09.02 -> 08.04	Pre cat	250-24001
			ZH20EST		09.02 -> 08.04	Post cat	250-24001
2.3					01.03 -> 12.04	Pre cat	250-24678
					01.03 -> 12.04	Center	250-24651
					01.03 -> 12.04	Post cat	250-24656
<b>FOCUS C-MAX</b>							
1.6			HWDA, HWDB		10.03 -> 02.07	Pre cat	250-24701
			HWDA, HWDB		10.03 -> 02.07	Post cat	250-24793
1.8			CSDA		10.03 -> 03.07	Pre cat	250-24701
				DURA18	04.04 -> 03.07	Pre cat	250-24701
2.0			AODA, AODB		04.04 -> 03.07	Pre cat	250-24701
<b>FOCUS II</b>							
1.4	DA_		ZETEC-S <FXJA/B-E4>		11.04 ->	Pre cat	250-24701
			ZETEC-S <FXJA/B-E4>		11.04 ->	Post cat	250-24793



Model / Liter	Body Code	kW	Engine Code	Application Identifier Engine or Chassis	Year From→ To	Position	Walker Direct Fit
<b>FORD (cont'd)</b>							
<b>FOCUS II (cont'd)</b>							
1.4 Saloon	DA_		ASDB, ASDA		04.05 ->	Pre cat	250-24701
			ASDB, ASDA		04.05 ->	Post cat	250-24793
1.4 Turnier	DAW_			ZETEC-S <FXJA/B-E4>	01.05 ->	Pre cat	250-24701
				ZETEC-S <FXJA/B-E4>	01.05 ->	Post cat	250-24793
1.6	DA_		HWDA, HWDB		11.04 ->	Pre cat	250-24701
			HWDA, HWDB		11.04 ->	Post cat	250-24793
1.6 Cabriolet			HWDA, HWDB		10.06 ->	Pre cat	250-24701
			HWDA, HWDB		10.06 ->	Post cat	250-24793
1.6 Saloon	DA_		HWDA, HWDB		04.05 ->	Pre cat	250-24701
			HWDA, HWDB		04.05 ->	Post cat	250-24793
1.6 Turnier	DAW_		HWDA, HWDB		11.04 ->	Pre cat	250-24701
			HWDA, HWDB		11.04 ->	Post cat	250-24793
1.8 Flexifuel	DA_		Q7DA		06.06 ->		250-24701
1.8 Saloon	DA_			DURA18 CNG, Q7DA	06.06 ->		250-24701
1.8 TDCi	DA_		KKDA		01.05 ->		250-24701
1.8 TDCi Saloon	DA_		KKDA		04.05 ->		250-24701
1.8 TDCi Turnier	DAW_		KKDA		11.04 ->		250-24701
1.8 Turnier	DAW_		Q7DA		06.06 ->		250-24701
2.0	DA_		AODA		11.04 ->		250-24701
2.0 Cabriolet			AODA, AODB		10.06 ->		250-24701
2.0 Saloon	DA_		AODA, AODB		04.05 ->		250-24701
2.0 Turnier	DAW_		AODA, AODB		11.04 ->		250-24701
2.5 ST	DA_			2.5 DURATECH	10.05 ->	Pre cat	250-25005
				2.5 DURATECH	10.05 ->	Post cat	250-24409
<b>FREESTAR</b>							
3.9					01.04 -> 12.07	Pre cat Front	250-24701
					01.04 -> 12.07	Pre cat Rear	250-24701
					01.04 -> 12.07	Post cat Front	250-24001
					01.04 -> 12.07	Post cat Rear	250-24001
4.2					01.04 -> 12.07	Pre cat Front	250-24701
					01.04 -> 12.07	Pre cat Rear	250-24701
					01.04 -> 12.07	Post cat Front	250-24001
					01.04 -> 12.07	Post cat Rear	250-24001
<b>FUSION</b>							
2.3					01.06 -> 12.06	Pre cat	250-24301
					01.06 -> 12.06	Post cat	250-24001
					01.07 -> 12.07	Pre cat	250-24301
					01.07 -> 12.07	Center	250-24001
					01.07 -> 12.07	Post cat	250-24001
					01.08 -> 12.08	Pre cat	250-24301
					01.08 -> 12.08	Post cat	250-24001
3.0					01.06 -> 12.07	Pre cat Front	250-24301
					01.06 -> 12.07	Pre cat Rear	250-24301
					01.06 -> 12.07	Post cat Front	250-24001
					01.06 -> 12.07	Post cat Rear	250-24001
			AWD		01.08 -> 12.08	Pre cat Front	250-24301
			AWD		01.08 -> 12.08	Pre cat Rear	250-24301
			AWD		01.08 -> 12.08	Post cat Front	250-24001
			AWD		01.08 -> 12.08	Post cat Rear	250-24001
			FWD		01.08 -> 12.08	Pre cat Front	250-24301
			FWD		01.08 -> 12.08	Pre cat Rear	250-24301
			FWD		01.08 -> 12.08	Post cat Front	250-24001
			FWD		01.08 -> 12.08	Post cat Rear	250-24127
<b>GT</b>							
5.4					01.06 -> 12.06	Pre cat Left	250-24302
					01.06 -> 12.06	Pre cat Right	250-24302
					01.06 -> 12.06	Post cat Left	250-24001
					01.06 -> 12.06	Post cat Right	250-24001
<b>MONDEO II</b>							
1.6 i	BAP		L1J		09.96 -> 05.98		250-24015
			L1J		05.98 -> 08.00		250-24001
1.6 i 16V	BAP			L1 <ZH16 EEC V>	05.98 -> 08.00		250-24001
1.6 i 16V Estate	BNP			L1 <ZH16 EEC V>	05.98 -> 08.00		250-24001
1.6 i 16V Saloon	BFP			L1 <ZH16 EEC V>	05.98 -> 08.00		250-24001
1.6 i Estate	BNP		L1J 90		09.96 -> 05.98		250-24015
			L1J 90		05.98 -> 08.00		250-24001
1.6 i Saloon	BFP		L1J		09.96 -> 05.98		250-24015
			L1J		05.98 -> 08.00		250-24001





Model / Liter	Body Code	Engine kW	Engine Code	Application Identifier Engine or Chassis	Year From→To	Position	Walker Direct Fit
<b>FORD (cont'd)</b>							
<b>MONDEO II (cont'd)</b>							
1.8 i	BAP		RKJ		09.96 -> 05.98		250-24015
			RKJ		05.98 -> 08.00		250-24001
1.8 i Estate	BNP		RKJ		09.96 -> 05.98		250-24015
			RKJ		01.98 -> 09.00		250-24001
1.8 i Saloon	BFP		RKJ		09.96 -> 05.98		250-24015
			RKJ		05.98 -> 08.00		250-24001
2.0 i	BAP		NGA		09.96 -> 05.98		250-24552
			NGA		05.98 -> 08.00		250-24001
2.0 i Estate	BNP		NGA		09.96 -> 05.98		250-24552
			NGA		05.98 -> 08.00		250-24001
2.0 i Saloon	BFP		NGA		09.96 -> 05.98		250-24552
			NGA		05.98 -> 08.00		250-24001
2.5 24V	BAP		SEA		05.99 -> 08.00	Pre cat Front	250-24001
			SEA		05.99 -> 08.00	Pre cat Rear	250-24001
			SEA		09.96 -> 05.99	Pre cat Front	250-24015
			SEA		09.96 -> 05.99	Pre cat Rear	250-24015
			SEB, SEC		06.00 -> 09.00	Pre cat Front	250-24001
			SEB, SEC		06.00 -> 09.00	Pre cat Rear	250-24001
2.5 24V Estate	BAP		SEA		09.96 -> 05.99	Pre cat Front	250-24015
			SEA		09.96 -> 05.99	Pre cat Rear	250-24015
	BNP		SEA		05.99 -> 08.00	Pre cat Front	250-24001
			SEA		05.99 -> 08.00	Pre cat Rear	250-24001
			SEB, SEC		06.00 -> 09.00	Pre cat Front	250-24001
			SEB, SEC		06.00 -> 09.00	Pre cat Rear	250-24001
2.5 24V Saloon	BFP		SEA		09.96 -> 05.99	Pre cat Front	250-24015
			SEA		09.96 -> 05.99	Pre cat Rear	250-24015
			SEA		05.98 -> 08.00	Pre cat Front	250-24001
			SEA		05.99 -> 08.00	Pre cat Rear	250-24001
			SEB, SEC		06.00 -> 09.00	Pre cat Front	250-24001
			SEB, SEC		06.00 -> 09.00	Pre cat Rear	250-24001
2.5 ST 200	BAP		SE MP25		05.99 -> 08.00	Pre cat Front	250-24001
			SE MP25		05.99 -> 08.00	Pre cat Rear	250-24001
			SGA		05.99 -> 11.00	Pre cat Front	250-24015
			SGA		05.99 -> 11.00	Pre cat Rear	250-24015
2.5 ST 200 Estate	BNP		SE MP25		05.99 -> 08.00	Pre cat Front	250-24001
			SE MP25		05.99 -> 08.00	Pre cat Rear	250-24001
			SGA		05.99 -> 11.00	Pre cat Front	250-24015
			SGA		05.99 -> 11.00	Pre cat Rear	250-24015
2.5 ST 200 Saloon	BFP		SE MP25		05.99 -> 08.00	Pre cat Front	250-24001
			SE MP25		05.99 -> 08.00	Pre cat Rear	250-24001
			SGA		05.99 -> 11.00	Pre cat Front	250-24015
			SGA		05.99 -> 11.00	Pre cat Rear	250-24015
<b>MONDEO III</b>							
2.5 V6 24V	B5Y		LCBD		11.00 -> 04.05	Pre cat Front	250-24001
			LCBD		11.00 -> 04.05	Pre cat Rear	250-24001
2.5 V6 24V Saloon	B4Y		LCBD		11.00 -> 04.05	Pre cat Front	250-24001
			LCBD		11.00 -> 04.05	Pre cat Rear	250-24001
2.5 V6 24V Estate	BWY		LCBD		11.00 -> 04.05	Pre cat Front	250-24001
			LCBD		11.00 -> 04.05	Pre cat Rear	250-24001
3.0 V6 24V	B5Y			DURA30	10.04 ->	Pre cat Front	250-24001
				DURA30	10.04 ->	Pre cat Rear	250-24001
3.0 V6 24V Estate	BWY			DURA30	10.04 ->	Pre cat Front	250-24001
				DURA30	10.04 ->	Pre cat Rear	250-24001
3.0 V6 24V Saloon	B4Y			DURA30	10.04 ->	Pre cat Front	250-24001
				DURA30	10.04 ->	Pre cat Rear	250-24001
ST220	B5Y		MEBA		04.02 -> 05.03	Pre cat Front	250-24001
			MEBA		04.02 -> 05.03	Pre cat Rear	250-24001
ST220 Estate	BWY		MEBA		04.02 -> 04.05	Pre cat Front	250-24001
			MEBA		04.02 -> 04.05	Pre cat Rear	250-24001
ST220 Saloon	B4Y		MEBA		04.02 -> 05.03	Pre cat Front	250-24001
			MEBA		04.02 -> 05.03	Pre cat Rear	250-24001
<b>MUSTANG</b>							
3.8					01.95 -> 12.98	Pre cat Left	250-24001
					01.95 -> 12.98	Pre cat Right	250-24001
					01.95 -> 12.98	Post cat Left	250-24001
					01.95 -> 12.98	Post cat Right	250-24001



Model / Liter	Body Code	kW	Engine Code	Application Identifier Engine or Chassis	Year From→ To	Position	Walker Direct Fit
<b>FORD (cont'd)</b>							
<b>MUSTANG (cont'd)</b>							
3.8					01.99 -> 12.04	Pre cat Left	250-24749
					01.99 -> 12.04	Pre cat Right	250-24749
					01.99 -> 12.04	Post cat Left	250-24001
					01.99 -> 12.04	Post cat Right	250-24001
3.9					01.04 -> 12.04	Pre cat Left	250-24749
					01.04 -> 12.04	Pre cat Right	250-24749
					01.04 -> 12.04	Post cat Left	250-24001
					01.04 -> 12.04	Post cat Right	250-24001
4.0					01.05 -> 12.08	Pre cat Left	250-24749
					01.05 -> 12.08	Pre cat Right	250-24749
					01.05 -> 12.08	Post cat Left	250-24001
					01.05 -> 12.08	Post cat Right	250-24001
4.6					01.96 -> 12.98	Pre cat Left	250-24001
					01.96 -> 12.98	Pre cat Right	250-24001
					01.96 -> 12.98	Post cat Left	250-24001
					01.96 -> 12.98	Post cat Right	250-24001
					01.99 -> 12.04	Pre cat Left	250-24749
					01.99 -> 12.04	Pre cat Right	250-24749
					01.99 -> 12.04	Post cat Left	250-24001
					01.99 -> 12.04	Post cat Right	250-24001
					01.05 -> 12.08	Pre cat Left	250-24749
					01.05 -> 12.08	Pre cat Right	250-24749
					01.05 -> 12.08	Post cat Left	250-24001
					01.05 -> 12.08	Post cat Right	250-24001
5.0					01.94 -> 12.95	Pre cat Left	250-24001
					01.94 -> 12.95	Pre cat Right	250-24001
					01.94 -> 12.95	Post cat Left	250-24001
					01.94 -> 12.95	Post cat Right	250-24001
5.4 SHELBY GT500					01.07 -> 12.08	Pre cat Left	250-24749
					01.07 -> 12.08	Pre cat Right	250-24749
					01.07 -> 12.08	Post cat Left	250-24001
					01.07 -> 12.08	Post cat Right	250-24001
5.8 COBRA R					01.95 -> 12.95	Pre cat Left	250-24001
					01.95 -> 12.95	Pre cat Right	250-24001
					01.95 -> 12.95	Post cat Left	250-24001
					01.95 -> 12.95	Post cat Right	250-24001
<b>PICKUP F-150</b>							
4.2					01.97 -> 12.98	Pre cat Left	250-24001
					01.97 -> 12.98	Pre cat Right	250-24001
					01.97 -> 12.98	Post cat Left	250-24001
					01.97 -> 12.98	Post cat Right	250-24001
			Pre cat OEM # 5C5Z9F472AA		01.99 -> 12.00	Pre cat Left	250-24749
			Pre cat OEM # 5C5Z9F472AA		01.99 -> 12.00	Pre cat Right	250-24749
					01.99 -> 12.00	Post cat Left	250-24001
					01.99 -> 12.00	Post cat Right	250-24001
			Pre cat OEM # F88Z9F472AB		01.99 -> 12.00	Pre cat Left	250-24001
			Pre cat OEM # F88Z9F472AB		01.99 -> 12.00	Pre cat Right	250-24001
					01.99 -> 12.00	Post cat Left	250-24001
					01.99 -> 12.00	Post cat Right	250-24001
					01.01 -> 12.04	Pre cat Left	250-24749
					01.01 -> 12.04	Pre cat Right	250-24749
					01.01 -> 12.04	Post cat Left	250-24001
					01.01 -> 12.04	Post cat Right	250-24001
					01.05 -> 12.08	Pre cat Left	250-24701
					01.05 -> 12.08	Pre cat Right	250-24701
					01.05 -> 12.08	Post cat Left	250-24701
					01.05 -> 12.08	Post cat Right	250-24701
4.6					01.97 -> 12.98	Pre cat Left	250-24001
					01.97 -> 12.98	Pre cat Right	250-24001
					01.97 -> 12.98	Post cat Left	250-24001
					01.97 -> 12.98	Post cat Right	250-24001
					01.99 -> 12.04	Pre cat Left	250-24749
					01.99 -> 12.04	Pre cat Right	250-24749
					01.99 -> 12.04	Post cat Left	250-24001
					01.99 -> 12.04	Post cat Right	250-24001
					01.04 -> 12.08	Pre cat Left	250-24701
					01.04 -> 12.08	Pre cat Right	250-24701
					01.04 -> 12.08	Post cat Left	250-24701
					01.04 -> 12.08	Post cat Right	250-24701



Model / Liter	Body Code	Engine kW	Engine Code	Application Identifier Engine or Chassis	Year From→To	Position	Walker Direct Fit
<b>FORD (cont'd)</b>							
<b>PICKUP F-150 (cont'd)</b>							
4.9					01.95 -> 12.95	Pre cat	250-24127
					01.96 -> 12.96	Pre cat Cyl 1-3	250-24001
					01.96 -> 12.96	Pre cat Cyl 4-6	250-24001
					01.96 -> 12.96	Post cat	• 250-24127
5.0					01.90 -> 12.95	Pre cat	250-24001
					01.96 -> 12.96	Pre cat Left	250-24001
					01.96 -> 12.96	Pre cat Right	250-24001
					01.96 -> 12.96	Post cat	• 250-24127
5.4					01.97 -> 12.98	Pre cat Left	250-24001
					01.97 -> 12.98	Pre cat Right	250-24001
					01.97 -> 12.98	Post cat Left	250-24001
					01.97 -> 12.98	Post cat Right	250-24001
					01.99 -> 12.99	Pre cat Left	250-24001
					01.99 -> 12.99	Pre cat Right	250-24001
					01.99 -> 12.99	Post cat Left	250-24001
					01.99 -> 12.99	Post cat Right	250-24001
				BI-Fuel Engine	01.00 -> 12.00	Pre cat Left	250-24749
				BI-Fuel Engine	01.00 -> 12.00	Pre cat Right	250-24749
				BI-Fuel Engine	01.00 -> 12.00	Post cat Left	250-24001
				BI-Fuel Engine	01.00 -> 12.00	Post cat Right	250-24001
				Trans Code 4R100	01.00 -> 12.00	Pre cat Left	250-24749
				Trans Code 4R100	01.00 -> 12.00	Pre cat Right	250-24749
				Trans Code 4R100	01.00 -> 12.00	Post cat Left	250-24001
				Trans Code 4R100	01.00 -> 12.00	Post cat Right	250-24001
				Trans Code 4R70	01.00 -> 12.00	Pre cat Left	250-24001
				Trans Code 4R70	01.00 -> 12.00	Pre cat Right	250-24001
				Trans Code 4R70	01.00 -> 12.00	Post cat Left	250-24001
				Trans Code 4R70	01.00 -> 12.00	Post cat Right	250-24001
				BI-Fuel Engine	01.01 -> 12.01	Pre cat Left	250-24701
				BI-Fuel Engine	01.01 -> 12.01	Pre cat Right	250-24701
				BI-Fuel Engine	01.01 -> 12.01	Post cat Left	250-24001
				BI-Fuel Engine	01.01 -> 12.01	Post cat Right	250-24001
				Optional; Trans Code 4R70	01.01 -> 12.01	Pre cat Left	250-24701
				Optional; Trans Code 4R70	01.01 -> 12.01	Pre cat Right	250-24701
				Optional; Trans Code 4R70	01.01 -> 12.01	Post cat Left	250-24001
				Optional; Trans Code 4R70	01.01 -> 12.01	Post cat Right	250-24001
				Standard; Trans Code 4R70	01.01 -> 12.01	Pre cat Left	250-24749
				Standard; Trans Code 4R70	01.01 -> 12.01	Pre cat Right	250-24749
				Standard; Trans Code 4R70	01.01 -> 12.01	Post cat Left	250-24001
				Standard; Trans Code 4R70	01.01 -> 12.01	Post cat Right	250-24001
				Trans Code 4R100	01.01 -> 12.01	Pre cat Left	250-24701
				Trans Code 4R100	01.01 -> 12.01	Pre cat Right	250-24701
				Trans Code 4R100	01.01 -> 12.01	Post cat Left	250-24001
				Trans Code 4R100	01.01 -> 12.01	Post cat Right	250-24001
					01.01 -> 12.02	Pre cat Left	250-24701
					01.01 -> 12.02	Pre cat Right	250-24701
					01.01 -> 12.02	Post cat Left	250-24001
					01.01 -> 12.02	Post cat Right	250-24001
					01.01 -> 12.03	Pre cat Left	250-24701
					01.01 -> 12.03	Pre cat Right	250-24701
					01.01 -> 12.03	Post cat Left	250-24001
					01.01 -> 12.03	Post cat Right	250-24001
					01.04 -> 12.08	Pre cat Left	250-24701
					01.04 -> 12.08	Pre cat Right	250-24701
					01.04 -> 12.08	Post cat Left	250-24701
					01.04 -> 12.08	Post cat Right	250-24701
5.4 LIGHTNING					01.99 -> 12.99	Pre cat Left	250-24749
					01.99 -> 12.99	Pre cat Right	250-24749
					01.99 -> 12.99	Post cat Left	250-24001
					01.99 -> 12.99	Post cat Right	250-24001
				Pre cat OEM # 5C5Z9F472AA	01.00 -> 12.00	Pre cat Left	250-24749
				Pre cat OEM # 5C5Z9F472AA	01.00 -> 12.00	Pre cat Right	250-24749
					01.00 -> 12.00	Post cat Left	250-24001
					01.00 -> 12.00	Post cat Right	250-24001
				Pre cat OEM # XL3Z9F472AA	01.00 -> 12.00	Pre cat Left	250-24701
				Pre cat OEM # XL3Z9F472AA	01.00 -> 12.00	Pre cat Right	250-24701
					01.00 -> 12.00	Post cat Left	250-24001
					01.00 -> 12.00	Post cat Right	250-24001



Model / Liter	Body Code	Engine kW	Engine Code	Application Identifier Engine or Chassis	Year From→ To	Position	Walker Direct Fit
<b>FORD (cont'd)</b>							
<b>PICKUP F-150 (cont'd)</b>							
5.4	LIGHTNING				01.04 -> 12.04	Pre cat Left	250-24701
					01.04 -> 12.04	Pre cat Right	250-24701
					01.04 -> 12.04	Post cat Left	250-24701
					01.04 -> 12.04	Post cat Right	250-24701
5.8					01.90 -> 12.95	Pre cat Left	250-24001
					01.96 -> 12.96	Pre cat Left	250-24001
					01.96 -> 12.96	Pre cat Right	250-24001
					01.96 -> 12.96	Post cat	• 250-24127
<b>PICKUP F-250</b>							
4.6					01.97 -> 12.98	Pre cat Left	250-24001
					01.97 -> 12.98	Pre cat Right	250-24001
					01.97 -> 12.98	Post cat Left	250-24001
					01.97 -> 12.98	Post cat Right	250-24001
				Pre cat OEM # 5C5Z9F472AA	01.99 -> 12.99	Pre cat Left	250-24749
				Pre cat OEM # 5C5Z9F472AA	01.99 -> 12.99	Pre cat Right	250-24749
					01.99 -> 12.99	Post cat Left	250-24001
					01.99 -> 12.99	Post cat Right	250-24001
				Pre cat OEM # F88Z9F472AB	01.99 -> 12.99	Pre cat Left	250-24001
				Pre cat OEM # F88Z9F472AB	01.99 -> 12.99	Pre cat Right	250-24001
					01.99 -> 12.99	Post cat Left	250-24001
					01.99 -> 12.99	Post cat Right	250-24001
4.9					01.95 -> 12.95	Pre cat	250-24127
					01.95 -> 12.95	Pre cat	250-24127
					01.96 -> 12.96	Pre cat Cyl 1-3	250-24001
					01.96 -> 12.96	Pre cat Cyl 4-6	250-24001
					01.96 -> 12.96	Post cat	• 250-24127
5.0					01.96 -> 12.96	Pre cat Left	250-24001
					01.96 -> 12.96	Pre cat Right	250-24001
					01.96 -> 12.96	Post cat	• 250-24127
5.4					01.97 -> 12.98	Pre cat Left	250-24001
					01.97 -> 12.98	Pre cat Right	250-24001
					01.97 -> 12.98	Post cat Left	250-24001
					01.97 -> 12.98	Post cat Right	250-24001
					01.99 -> 12.99	Pre cat Left	250-24001
					01.99 -> 12.99	Pre cat Right	250-24001
					01.99 -> 12.99	Post cat Left	250-24001
					01.99 -> 12.99	Post cat Right	250-24001
5.8					01.95 -> 12.95	Pre cat Left	250-24127
					01.95 -> 12.95	Pre cat Right	250-24001
					01.96 -> 12.96	Pre cat Left	250-24127
					01.96 -> 12.96	Pre cat Right	250-24001
					01.96 -> 12.96	Post cat	• 250-24001
					01.97 -> 12.97	Pre cat Left	250-24001
					01.97 -> 12.97	Pre cat Right	250-24001
					01.97 -> 12.97	Post cat	• 250-24001
7.5					01.93 -> 12.95	Pre cat	250-24001
					01.96 -> 12.97	Pre cat Left	250-24001
					01.96 -> 12.97	Pre cat Right	250-24001
					01.96 -> 12.97	Post cat	• 250-24127
<b>PICKUP F-250 SUPER DUTY</b>							
4.9					01.91 -> 12.95	Pre cat	250-24127
				Cyl. 1-3	01.96 -> 12.96	Pre cat Left	250-24001
				Cyl. 4-6	01.96 -> 12.96	Pre cat Right	250-24001
					01.96 -> 12.96	Post cat	• 250-24127
5.4					01.99 -> 12.99	Pre cat Left	250-24001
					01.99 -> 12.99	Pre cat Right	250-24001
					01.99 -> 12.99	Post cat Left	250-24001
					01.99 -> 12.99	Post cat Right	250-24001
					01.00 -> 12.05	Pre cat Left	250-24302
					01.00 -> 12.05	Pre cat Right	250-24302
					01.00 -> 12.05	Post cat Left	250-24001
					01.00 -> 12.05	Post cat Right	250-24001
					01.06 -> 12.08	Pre cat Left	250-24301
					01.06 -> 12.08	Pre cat Right	250-24301
					01.06 -> 12.08	Post cat Left	250-24001
					01.06 -> 12.08	Post cat Right	250-24001
5.8					01.95 -> 12.95	Pre cat Left	250-24001
					01.96 -> 12.96	Pre cat Right	250-24127
					01.96 -> 12.96	Post cat	• 250-24127





Model / Liter	Body Code	Engine kW	Engine Code	Application Identifier Engine or Chassis	Year From→To	Position	Walker Direct Fit
<b>FORD (cont'd)</b>							
<b>PICKUP F-250 SUPER DUTY (cont'd)</b>							
5.8					01.97 -> 12.97	Pre cat Left	250-24001
					01.97 -> 12.97	Pre cat Right	250-24001
					01.97 -> 12.97	Post cat	•250-24127
6.8					01.99 -> 12.99	Pre cat Left	250-24001
					01.99 -> 12.99	Pre cat Right	250-24001
					01.99 -> 12.99	Post cat Left	250-24001
					01.99 -> 12.99	Post cat Right	250-24001
					01.00 -> 12.05	Pre cat Left	250-24302
					01.00 -> 12.05	Pre cat Right	250-24302
					01.00 -> 12.05	Post cat Left	250-24001
					01.00 -> 12.05	Post cat Right	250-24001
					01.06 -> 12.08	Pre cat Left	250-24301
					01.06 -> 12.08	Pre cat Right	250-24301
					01.06 -> 12.08	Post cat Left	250-24001
					01.06 -> 12.08	Post cat Right	250-24001
7.5					01.94 -> 12.95	Pre cat	250-24001
					01.96 -> 12.96	Pre cat Left	250-24001
					01.96 -> 12.96	Pre cat Right	250-24001
					01.96 -> 12.96	Post cat	•250-24127
<b>PICKUP F-350 SUPER DUTY</b>							
5.4					01.99 -> 12.99	Pre cat Left	250-24001
					01.99 -> 12.99	Pre cat Right	250-24001
					01.99 -> 12.99	Post cat Left	250-24001
					01.99 -> 12.99	Post cat Right	250-24001
					01.00 -> 12.05	Pre cat Left	250-24302
					01.00 -> 12.05	Pre cat Right	250-24302
					01.00 -> 12.05	Post cat Left	250-24001
					01.00 -> 12.05	Post cat Right	250-24001
					01.06 -> 12.08	Pre cat Left	250-24301
					01.06 -> 12.08	Pre cat Right	250-24301
					01.06 -> 12.08	Post cat Left	250-24001
					01.06 -> 12.08	Post cat Right	250-24001
6.8					01.99 -> 12.99	Pre cat Left	250-24001
					01.99 -> 12.99	Pre cat Right	250-24001
					01.99 -> 12.99	Post cat Left	250-24001
					01.99 -> 12.99	Post cat Right	250-24001
					01.00 -> 12.05	Pre cat Left	250-24302
					01.00 -> 12.05	Pre cat Right	250-24302
					01.00 -> 12.05	Post cat Left	250-24001
					01.00 -> 12.05	Post cat Right	250-24001
					01.06 -> 12.08	Pre cat Left	250-24301
					01.06 -> 12.08	Pre cat Right	250-24301
					01.06 -> 12.08	Post cat Left	250-24001
					01.06 -> 12.08	Post cat Right	250-24001
<b>RANGER</b>							
2.3					01.01 -> 12.05	Pre cat	250-24701
					01.01 -> 12.05	Post cat	250-24001
					01.06 -> 12.08	Pre cat	250-24701
					01.06 -> 12.08	Post cat	250-24127
					01.95 -> 12.97	Pre cat	250-24001
					01.95 -> 12.97	Post cat	250-24001
2.5					01.98 -> 12.01	Pre cat	250-24001
					01.98 -> 12.01	Post cat	250-24127
3.0					01.95 -> 12.97	Pre cat Left	250-24001
					01.95 -> 12.97	Pre cat Right	250-24001
					01.95 -> 12.97	Post cat	•250-24070
			A/T		01.98 -> 12.00	Pre cat Left	250-24001
			A/T		01.98 -> 12.00	Pre cat Right	250-24001
			A/T		01.98 -> 12.00	Post cat	•250-24127
			M/T		01.98 -> 12.00	Pre cat Left	250-24001
			M/T		01.98 -> 12.00	Pre cat Right	250-24001
			M/T		01.98 -> 12.00	Post cat	•250-24070
					01.01 -> 12.02	Pre cat Left	250-24701
					01.01 -> 12.02	Pre cat Right	250-24701
					01.01 -> 12.02	Post cat	•250-24001
					01.03 -> 12.03	Pre cat Left	250-24701
					01.03 -> 12.03	Pre cat Right	250-24701
					01.03 -> 12.03	Post cat	•250-24127



Model / Liter	Body Code	kW	Engine Code	Application Identifier Engine or Chassis	Year From→ To	Position	Walker Direct Fit
<b>FORD (cont'd)</b>							
<b>RANGER (cont'd)</b>							
3.0					01.04 -> 12.05	Pre cat Left	250-24701
					01.04 -> 12.05	Pre cat Right	250-24701
					01.04 -> 12.05	Post cat Left	250-24127
					01.04 -> 12.05	Post cat Right	250-24127
			To 05.2006		01.06 -> 12.06	Pre cat Left	250-24701
			To 05.2006		01.06 -> 12.06	Pre cat Right	250-24701
			To 05.2006		01.06 -> 12.06	Post cat Left	250-24001
			To 05.2006		01.06 -> 12.06	Post cat Right	250-24127
			From 05.2006		01.06 -> 12.06	Pre cat Left	250-24701
			From 05.2006		01.06 -> 12.06	Pre cat Right	250-24701
			From 05.2006		01.06 -> 12.06	Post cat Left	250-24001
			From 05.2006		01.06 -> 12.06	Post cat Right	250-24001
					01.07 -> 12.08	Pre cat Left	250-24701
					01.07 -> 12.08	Pre cat Right	250-24701
					01.07 -> 12.08	Post cat Left	250-24001
					01.07 -> 12.08	Post cat Right	250-24001
3.0 EDGE					01.01 -> 12.03	Pre cat Left	250-24701
					01.01 -> 12.03	Pre cat Right	250-24701
			Post cat OEM # F85Z9G444AB		01.01 -> 12.03	Post cat Left	250-24001
			Post cat OEM # F85Z9G444AB		01.01 -> 12.03	Post cat Right	250-24001
					01.01 -> 12.03	Pre cat Left	250-24701
					01.01 -> 12.03	Pre cat Right	250-24701
			Post cat OEM # F85Z9G444DA		01.01 -> 12.03	Post cat Left	250-24070
			Post cat OEM # F85Z9G444DA		01.01 -> 12.03	Post cat Right	250-24070
4.0					01.95 -> 12.97	Pre cat Left	250-24001
					01.95 -> 12.97	Pre cat Right	250-24001
					01.95 -> 12.97	Post cat	• 250-24070
			A/T		01.98 -> 12.99	Pre cat Left	250-24001
			A/T		01.98 -> 12.99	Pre cat Right	250-24001
			A/T		01.98 -> 12.99	Post cat	• 250-24127
			M/T		01.98 -> 12.99	Pre cat Left	250-24001
			M/T		01.98 -> 12.99	Pre cat Right	250-24001
			M/T		01.98 -> 12.99	Post cat	• 250-24070
					01.01 -> 12.02	Pre cat Left	250-24701
					01.01 -> 12.02	Pre cat Right	250-24701
					01.01 -> 12.02	Post cat	• 250-24001
			A/T		01.03 -> 12.03	Pre cat Left	250-24701
			A/T		01.03 -> 12.03	Pre cat Right	250-24701
			A/T		01.03 -> 12.03	Post cat	• 250-24127
			M/T		01.03 -> 12.03	Pre cat Left	250-24701
			M/T		01.03 -> 12.03	Pre cat Right	250-24701
			M/T		01.03 -> 12.03	Post cat	• 250-24070
					01.04 -> 12.05	Pre cat Left	250-24701
					01.04 -> 12.05	Pre cat Right	250-24701
					01.04 -> 12.05	Post cat Left	250-24070
					01.04 -> 12.05	Post cat Right	250-24070
			To 05.2006		01.06 -> 12.06	Pre cat Left	250-24701
			To 05.2006		01.06 -> 12.06	Pre cat Right	250-24701
			To 05.2006		01.06 -> 12.06	Post cat	• 250-24127
			From 05.2006		01.06 -> 12.06	Pre cat Left	250-24701
			From 05.2006		01.06 -> 12.06	Pre cat Right	250-24701
			From 05.2006		01.06 -> 12.06	Post cat Left	250-24001
			From 05.2006		01.06 -> 12.06	Post cat Right	250-24001
					01.07 -> 12.08	Pre cat Left	250-24701
					01.07 -> 12.08	Pre cat Right	250-24701
					01.07 -> 12.08	Post cat Left	250-24001
					01.07 -> 12.08	Post cat Right	250-24001
4.0 EDGE					01.01 -> 12.04	Pre cat Left	250-24701
					01.01 -> 12.04	Pre cat Right	250-24701
					01.01 -> 12.04	Post cat	• 250-24127
			M/T		01.01 -> 12.04	Pre cat Left	250-24701
			M/T		01.01 -> 12.04	Pre cat Right	250-24701
			M/T		01.01 -> 12.04	Post cat	• 250-24070
					01.05 -> 12.05	Pre cat Left	250-24701
					01.05 -> 12.05	Pre cat Right	250-24701
					01.05 -> 12.05	Post cat Left	250-24070
					01.05 -> 12.05	Post cat Right	250-24070



Model / Liter	Body Code	Engine kW	Engine Code	Application Identifier Engine or Chassis	Year From→To	Position	Walker Direct Fit
<b>FORD (cont'd)</b>							
<b>VAN E-150 SERIES (cont'd)</b>							
4.2					01.97 -> 12.01	Pre cat Left	250-24001
					01.97 -> 12.01	Pre cat Right	250-24001
					01.97 -> 12.01	Post cat Left	250-24001
					01.97 -> 12.01	Post cat Right	250-24001
					01.02 -> 12.03	Pre cat Left	250-24749
					01.02 -> 12.03	Pre cat Right	250-24749
					01.02 -> 12.03	Post cat Left	250-24001
					01.02 -> 12.03	Post cat Right	250-24001
4.6					01.97 -> 12.99	Pre cat Left	250-24001
					01.97 -> 12.99	Pre cat Right	250-24001
					01.97 -> 12.99	Post cat Left	250-24001
					01.97 -> 12.99	Post cat Right	250-24001
					01.00 -> 12.02	Pre cat Left	250-24749
					01.00 -> 12.02	Pre cat Right	250-24749
					01.00 -> 12.02	Post cat Left	250-24001
					01.00 -> 12.02	Post cat Right	250-24001
					01.03 -> 12.05	Pre cat Left	250-24302
					01.03 -> 12.05	Pre cat Right	250-24302
					01.03 -> 12.05	Post cat Left	250-24001
					01.03 -> 12.05	Post cat Right	250-24001
					01.06 -> 12.08	Pre cat Left	250-24301
					01.06 -> 12.08	Pre cat Right	250-24301
					01.06 -> 12.08	Post cat Left	250-24001
					01.06 -> 12.08	Post cat Right	250-24001
4.9					01.95 -> 12.95	Pre cat	250-24001
					01.96 -> 12.96	Pre cat Cyl 1-3	250-24001
					01.96 -> 12.96	Pre cat Cyl 4-6	250-24001
					01.96 -> 12.96	Post cat Cyl 1-3	250-24001
					01.96 -> 12.96	Post cat Cyl 4-6	250-24001
5.0					01.90 -> 12.95	Pre cat	250-24001
					01.96 -> 12.96	Pre cat Left	250-24001
					01.96 -> 12.96	Pre cat Right	250-24001
					01.96 -> 12.96	Post cat	• 250-24127
5.4					01.97 -> 12.99	Pre cat Left	250-24001
					01.97 -> 12.99	Pre cat Right	250-24001
					01.97 -> 12.99	Post cat Left	250-24001
					01.97 -> 12.99	Post cat Right	250-24001
					01.00 -> 12.02	Pre cat Left	250-24302
					01.00 -> 12.02	Pre cat Right	250-24302
					01.00 -> 12.02	Post cat Left	250-24001
					01.00 -> 12.02	Post cat Right	250-24001
					01.03 -> 12.03	Pre cat Left	250-24301
					01.03 -> 12.03	Pre cat Right	250-24301
					01.03 -> 12.03	Post cat Left	250-24001
					01.03 -> 12.03	Post cat Right	250-24001
					01.04 -> 12.05	Pre cat Left	250-24302
					01.04 -> 12.05	Pre cat Right	250-24302
					01.04 -> 12.05	Post cat Left	250-24001
					01.04 -> 12.05	Post cat Right	250-24001
					01.06 -> 12.08	Pre cat Left	250-24301
					01.06 -> 12.08	Pre cat Right	250-24301
					01.06 -> 12.08	Post cat Left	250-24001
					01.06 -> 12.08	Post cat Right	250-24001
5.4 CLUB WAGON					01.97 -> 12.98	Pre cat Left	250-24001
					01.97 -> 12.98	Pre cat Right	250-24001
					01.97 -> 12.98	Post cat	• 250-24001
5.8					01.94 -> 12.96	Pre cat Left	250-24001
					01.94 -> 12.96	Pre cat Right	250-24001
					01.96 -> 12.96	Post cat	• 250-24127
<b>VAN E-250 SERIES</b>							
4.2					01.97 -> 12.01	Pre cat Left	250-24001
					01.97 -> 12.01	Pre cat Right	250-24001
					01.97 -> 12.01	Post cat Left	250-24001
					01.97 -> 12.01	Post cat Right	250-24001
					01.02 -> 12.03	Pre cat Left	250-24749
					01.02 -> 12.03	Pre cat Right	250-24749
					01.02 -> 12.03	Post cat Left	250-24001
					01.02 -> 12.03	Post cat Right	250-24001



Model / Liter	Body Code	kW	Engine Code	Application Identifier Engine or Chassis	Year From→ To	Position	Walker Direct Fit
<b>FORD (cont'd)</b>							
<b>VAN E-250 SERIES (cont'd)</b>							
4.6					01.97 -> 12.97	Pre cat Left	250-24001
					01.97 -> 12.97	Pre cat Right	250-24001
					01.97 -> 12.97	Post cat Left	250-24001
					01.97 -> 12.97	Post cat Right	250-24001
					01.03 -> 12.05	Pre cat Left	250-24302
					01.03 -> 12.05	Pre cat Right	250-24302
					01.03 -> 12.05	Post cat Left	250-24001
					01.03 -> 12.05	Post cat Right	250-24001
					01.06 -> 12.08	Pre cat Left	250-24301
					01.06 -> 12.08	Pre cat Right	250-24301
					01.06 -> 12.08	Post cat Left	250-24001
					01.06 -> 12.08	Post cat Right	250-24001
4.9					01.95 -> 12.96	Pre cat	250-24001
					01.96 -> 12.96	Post cat	250-24001
5.4					01.97 -> 12.99	Pre cat Left	250-24001
					01.97 -> 12.99	Pre cat Right	250-24001
					01.97 -> 12.99	Post cat Left	250-24001
					01.97 -> 12.99	Post cat Right	250-24001
					01.00 -> 12.05	Pre cat Left	250-24302
					01.00 -> 12.05	Pre cat Right	250-24302
					01.00 -> 12.05	Post cat Left	250-24001
					01.00 -> 12.05	Post cat Right	250-24001
					01.06 -> 12.08	Pre cat Left	250-24301
					01.06 -> 12.08	Pre cat Right	250-24301
					01.06 -> 12.08	Post cat Left	250-24001
					01.06 -> 12.08	Post cat Right	250-24001
5.8					01.95 -> 12.95	Pre cat Left	250-24001
					01.95 -> 12.95	Pre cat Right	250-24001
					01.96 -> 12.96	Pre cat Left	250-24001
					01.96 -> 12.96	Pre cat Right	250-24001
				01.96 -> 12.96	Post cat	• 250-24127	
<b>VAN E-350 SERIES</b>							
4.9					01.95 -> 12.95	Pre cat	250-24001
					01.96 -> 12.96	Pre cat Cyl 1-3	250-24001
5.4					01.96 -> 12.96	Pre cat Cyl 4-6	250-24001
					01.96 -> 12.96	Post cat Cyl 1-3	250-24001
					01.96 -> 12.96	Post cat Cyl 4-6	250-24001
					01.97 -> 12.99	Pre cat Left	250-24001
					01.97 -> 12.99	Pre cat Right	250-24001
					01.97 -> 12.99	Post cat Left	250-24001
					01.97 -> 12.99	Post cat Right	250-24001
					01.00 -> 12.02	Pre cat Left	250-24302
					01.00 -> 12.02	Pre cat Right	250-24302
					01.00 -> 12.02	Post cat Left	250-24001
					01.00 -> 12.02	Post cat Right	250-24001
					01.03 -> 12.03	Pre cat Left	250-24749
				01.03 -> 12.03	Pre cat Right	250-24749	
				01.03 -> 12.03	Post cat Left	250-24001	
				01.03 -> 12.03	Post cat Right	250-24001	
				01.04 -> 12.05	Pre cat Left	250-24302	
				01.04 -> 12.05	Pre cat Right	250-24302	
				01.04 -> 12.05	Post cat Left	250-24001	
				01.04 -> 12.05	Post cat Right	250-24001	
				01.99 -> 12.99	Pre cat Left	250-24001	
				01.99 -> 12.99	Pre cat Right	250-24001	
				01.99 -> 12.99	Post cat Left	250-24001	
				01.99 -> 12.99	Post cat Right	250-24001	
				01.99 -> 12.99	Pre cat Left	250-24302	
				01.99 -> 12.99	Pre cat Right	250-24302	
				01.99 -> 12.99	Post cat Left	250-24001	
				01.99 -> 12.99	Post cat Right	250-24001	
5.8					01.95 -> 12.95	Pre cat Left	250-24127
					01.95 -> 12.95	Pre cat Right	250-24127
					01.96 -> 12.96	Pre cat Left	250-24001
					01.96 -> 12.96	Pre cat Right	250-24001
					01.96 -> 12.96	Post cat	• 250-24127
					01.96 -> 12.96	Pre cat Left	250-24127
					01.96 -> 12.96	Pre cat Right	250-24127
					01.96 -> 12.96	Post cat	• 250-24127
					01.96 -> 12.96	Pre cat Left	250-24127
					01.96 -> 12.96	Pre cat Right	250-24127
				01.96 -> 12.96	Post cat	• 250-24127	





Model / Liter	Body Code	Engine kW	Engine Code	Application Identifier Engine or Chassis	Year From→To	Position	Walker Direct Fit
<b>FORD (cont'd)</b>							
<b>VAN E-350 SERIES (cont'd)</b>							
6.8					01.97 -> 12.99	Pre cat Left	250-24001
					01.97 -> 12.99	Pre cat Right	250-24001
					01.97 -> 12.99	Post cat	•250-24001
					01.00 -> 12.02	Pre cat Left	250-24302
					01.00 -> 12.02	Pre cat Right	250-24302
					01.00 -> 12.02	Post cat Left	250-24001
					01.00 -> 12.02	Post cat Right	250-24001
					01.03 -> 12.03	Pre cat Left	250-24301
					01.03 -> 12.03	Pre cat Right	250-24301
					01.03 -> 12.03	Post cat Left	250-24001
					01.03 -> 12.03	Post cat Right	250-24001
					01.04 -> 12.05	Pre cat Left	250-24302
					01.04 -> 12.05	Pre cat Right	250-24302
					01.04 -> 12.05	Post cat Left	250-24001
					01.04 -> 12.05	Post cat Right	250-24001
	7.5					01.94 -> 12.95	Pre cat
					01.96 -> 12.96	Pre cat Left	250-24001
					01.96 -> 12.96	Pre cat Right	250-24001
					01.96 -> 12.96	Post cat	•250-24127
<b>GMC</b>							
<b>ACADIA</b>							
3.6					01.07 -> 12.08	Pre cat Left	250-24470
					01.07 -> 12.08	Pre cat Right	250-24470
					01.07 -> 12.08	Post cat Left	250-24708
					01.07 -> 12.08	Post cat Right	250-24708
<b>CANYON</b>							
2.8					01.04 -> 12.05	Pre cat	250-24654
					01.04 -> 12.05	Post cat	250-24339
					01.06 -> 12.06	Pre cat	250-24698
2.9					01.06 -> 12.06	Post cat	250-24703
					01.07 -> 12.08	Pre cat	250-24698
3.5					01.07 -> 12.08	Post cat	250-24708
					01.04 -> 12.05	Pre cat	250-24654
3.7					01.04 -> 12.05	Post cat	250-24339
					01.06 -> 12.06	Pre cat	250-24698
					01.06 -> 12.06	Post cat	250-24703
4.2					01.07 -> 12.08	Pre cat	250-24698
					01.07 -> 12.08	Post cat	250-24708
					01.02 -> 12.03	Pre cat	250-24355
5.3					01.02 -> 12.03	Post cat	250-24339
					01.04 -> 12.05	Pre cat	250-24654
					01.04 -> 12.05	Post cat	250-24339
					01.06 -> 12.06	Pre cat	250-24698
					01.06 -> 12.06	Post cat	250-24703
					01.07 -> 12.08	Pre cat	250-24698
					01.07 -> 12.08	Post cat	250-24708
					01.03 -> 12.04	Pre cat Left	250-24269
					01.03 -> 12.04	Pre cat Right	250-24269
					01.03 -> 12.04	Post cat Left	250-24836
					01.03 -> 12.04	Post cat Right	250-24836
					01.05 -> 12.05	Pre cat Left	250-24470
				01.05 -> 12.05	Pre cat Right	250-24470	
				01.05 -> 12.05	Post cat Left	250-24836	
				01.05 -> 12.05	Post cat Right	250-24836	
5.3 DENALI				1st Design Exhaust	01.06 -> 12.06	Pre cat Left	250-24704
				1st Design Exhaust	01.06 -> 12.06	Pre cat Right	250-24704
				1st Design Exhaust	01.06 -> 12.06	Post cat Left	250-24339
				1st Design Exhaust	01.06 -> 12.06	Post cat Right	250-24339
				2nd Design Exhaust	01.06 -> 12.06	Pre cat Left	250-24704
				2nd Design Exhaust	01.06 -> 12.06	Pre cat Right	250-24704
				2nd Design Exhaust	01.06 -> 12.06	Post cat Left	250-24649
				2nd Design Exhaust	01.06 -> 12.06	Post cat Right	250-24649
					01.07 -> 12.07	Pre cat Left	250-24704
					01.07 -> 12.07	Pre cat Right	250-24704
				01.07 -> 12.07	Post cat Left	250-24649	
				01.07 -> 12.07	Post cat Right	250-24649	



Model / Liter	Body Code	Engine kW	Engine Code	Application Identifier Engine or Chassis	Year From→ To	Position	Walker Direct Fit
<b>GMC (cont'd)</b>							
<b>ACADIA (cont'd)</b>							
5.3 DENALI					01.08 -> 12.08	Pre cat Left	250-24704
					01.08 -> 12.08	Pre cat Right	250-24704
					01.08 -> 12.08	Post cat Left	250-24703
					01.08 -> 12.08	Post cat Right	250-24491
<b>JIMMY S15</b>							
4.3					01.95 -> 12.95	Pre cat	250-24012
					01.96 -> 12.01	Pre cat Left	250-24012
					01.96 -> 12.01	Pre cat Right	250-24012
					01.96 -> 12.01	Post cat	• 250-24012
<b>PICKUP C1500</b>							
4.3					OEM # 25133505 01.95 -> 12.95	Pre cat	250-23011
					OEM # 25165312 01.95 -> 12.95	Pre cat	250-23005
					01.96 -> 12.98	Pre cat Left	250-24012
					01.96 -> 12.98	Pre cat Right	250-24012
					01.96 -> 12.98	Post cat Left	250-24018
					01.96 -> 12.98	Post cat Right	250-24018
5.0					01.95 -> 12.95	Pre cat	250-21001
					01.96 -> 12.98	Pre cat Left	250-24012
					01.96 -> 12.98	Pre cat Right	250-24012
					01.96 -> 12.98	Post cat Left	250-24018
					01.96 -> 12.98	Post cat Right	250-24018
					01.96 -> 12.98	Pre cat Left	250-24019
					01.96 -> 12.98	Pre cat Right	250-24019
					01.96 -> 12.98	Post cat Left	250-24018
					01.96 -> 12.98	Post cat Right	250-24018
					01.99 -> 12.99	Pre cat Left	250-24012
					01.99 -> 12.99	Pre cat Right	250-24012
					01.99 -> 12.99	Post cat Left	250-24018
					01.99 -> 12.99	Post cat Right	250-24018
5.7					Exc. Trans Code 4L60E 01.95 -> 12.95	Pre cat	250-21001
					Trans Code 4L60E 01.95 -> 12.95	Pre cat	250-23011
					A/T; w/ Electronic Trans 01.96 -> 12.99	Pre cat Left	250-24012
					A/T; w/ Electronic Trans 01.96 -> 12.99	Pre cat Right	250-24012
					A/T; w/ Electronic Trans 01.96 -> 12.99	Post cat Left	250-24018
					A/T; w/ Electronic Trans 01.96 -> 12.99	Post cat Right	250-24018
					A/T; w/o Electronic Trans 01.96 -> 12.99	Pre cat Left	250-24019
					A/T; w/o Electronic Trans 01.96 -> 12.99	Pre cat Right	250-24019
					A/T; w/o Electronic Trans 01.96 -> 12.99	Post cat Left	250-24018
					A/T; w/o Electronic Trans 01.96 -> 12.99	Post cat Right	250-24018
					M/T 01.96 -> 12.99	Pre cat Left	250-24019
					M/T 01.96 -> 12.99	Pre cat Right	250-24019
					M/T 01.96 -> 12.99	Post cat Left	250-24018
					M/T 01.96 -> 12.99	Post cat Right	250-24018
<b>PICKUP C2500</b>							
4.3					01.94 -> 12.95	Pre cat Left	250-23005
					01.94 -> 12.95	Pre cat Right	250-23005
5.0					01.95 -> 12.95	Pre cat	250-21001
					01.96 -> 12.98	Pre cat Left	250-24012
					01.96 -> 12.98	Pre cat Right	250-24012
					01.96 -> 12.98	Post cat Left	250-24018
					01.96 -> 12.98	Post cat Right	250-24018
					01.96 -> 12.98	Pre cat Left	250-24019
					01.96 -> 12.98	Pre cat Right	250-24019
					01.96 -> 12.98	Post cat Left	250-24018
					01.96 -> 12.98	Post cat Right	250-24018
5.7					A/T; w/ Electronic Trans 01.96 -> 12.00	Pre cat Left	250-24012
					A/T; w/ Electronic Trans 01.96 -> 12.00	Pre cat Right	250-24012
					A/T; w/ Electronic Trans 01.96 -> 12.00	Post cat Left	250-24018
					A/T; w/ Electronic Trans 01.96 -> 12.00	Post cat Right	250-24018
					A/T; w/o Electronic Trans 01.96 -> 12.00	Pre cat Left	250-24019
					A/T; w/o Electronic Trans 01.96 -> 12.00	Pre cat Right	250-24019
					A/T; w/o Electronic Trans 01.96 -> 12.00	Post cat Left	250-24018
					A/T; w/o Electronic Trans 01.96 -> 12.00	Post cat Right	250-24018
					M/T 01.96 -> 12.00	Pre cat Left	250-24019
					M/T 01.96 -> 12.00	Pre cat Right	250-24019
					M/T 01.96 -> 12.00	Post cat Left	250-24018
					M/T 01.96 -> 12.00	Post cat Right	250-24018
					Exc. Trans Code 4L60E 01.95 -> 12.95	Pre cat	250-21001
					Trans Code 4L60E 01.95 -> 12.95	Pre cat	250-23011



Model / Liter	Body Code	Engine kW	Engine Code	Application Identifier Engine or Chassis	Year From→To	Position	Walker Direct Fit
<b>GMC (cont'd)</b>							
<b>PICKUP C2500 (cont'd)</b>							
7.4					01.99 -> 12.99	Pre cat Left	250-24019
					01.99 -> 12.99	Pre cat Right	250-24019
					01.99 -> 12.99	Post cat Left	250-24018
					01.99 -> 12.99	Post cat Right	250-24018
					01.00 -> 12.00	Pre cat Left	250-24248
					01.00 -> 12.00	Pre cat Right	250-24248
					01.00 -> 12.00	Post cat Left	250-24018
					01.00 -> 12.00	Post cat Right	250-24018
7.4 SIERRA					01.91 -> 12.95	Pre cat Left	250-21001
					01.96 -> 12.98	Pre cat Right	250-24019
					01.96 -> 12.98	Post cat Left	250-24018
					01.96 -> 12.98	Post cat Right	250-24018
<b>PICKUP C3500</b>							
5.7				A/T; w/ Electronic Trans	01.96 -> 12.00	Pre cat Left	250-24012
				A/T; w/ Electronic Trans	01.96 -> 12.00	Pre cat Right	250-24012
				A/T; w/ Electronic Trans	01.96 -> 12.00	Post cat Left	250-24018
				A/T; w/ Electronic Trans	01.96 -> 12.00	Post cat Right	250-24018
				A/T; w/o Electronic Trans	01.96 -> 12.00	Pre cat Left	250-24019
				A/T; w/o Electronic Trans	01.96 -> 12.00	Pre cat Right	250-24019
				A/T; w/o Electronic Trans	01.96 -> 12.00	Post cat Left	250-24018
				A/T; w/o Electronic Trans	01.96 -> 12.00	Post cat Right	250-24018
				M/T	01.96 -> 12.00	Pre cat Left	250-24019
				M/T	01.96 -> 12.00	Pre cat Right	250-24019
				M/T	01.96 -> 12.00	Post cat Left	250-24018
				M/T	01.96 -> 12.00	Post cat Right	250-24018
5.7 SIERRA				Exc. Trans Code 4L60E	01.95 -> 12.95	Pre cat Left	250-21001
				Trans Code 4L60E	01.95 -> 12.95	Pre cat Right	250-23011
7.4					01.96 -> 12.99	Pre cat Left	250-24019
					01.96 -> 12.99	Pre cat Right	250-24019
					01.96 -> 12.99	Post cat Left	250-24018
					01.96 -> 12.99	Post cat Right	250-24018
					01.00 -> 12.00	Pre cat Left	250-24248
					01.00 -> 12.00	Pre cat Right	250-24248
					01.00 -> 12.00	Post cat Left	250-24018
					01.00 -> 12.00	Post cat Right	250-24018
8.1				Heavy Duty Chassis	01.01 -> 12.01	Pre cat Left	250-24248
				Heavy Duty Chassis	01.01 -> 12.01	Pre cat Right	250-24248
				Heavy Duty Chassis	01.01 -> 12.01	Post cat Left	250-24274
				Heavy Duty Chassis	01.01 -> 12.01	Post cat Right	250-24248
				Heavy Duty Chassis	01.02 -> 12.02	Pre cat Left	250-24248
				Heavy Duty Chassis	01.02 -> 12.02	Pre cat Right	250-24248
				Heavy Duty Chassis	01.02 -> 12.02	Post cat Left	250-24248
				Heavy Duty Chassis	01.02 -> 12.02	Post cat Right	250-24248
<b>PICKUP K1500</b>							
4.3					01.96 -> 12.98	Pre cat Left	250-24012
					01.96 -> 12.98	Pre cat Right	250-24012
					01.96 -> 12.98	Post cat Left	250-24018
					01.96 -> 12.98	Post cat Right	250-24018
5.0					01.95 -> 12.95	Pre cat Left	250-21001
				A/T	01.96 -> 12.98	Pre cat Left	250-24012
				A/T	01.96 -> 12.98	Pre cat Right	250-24012
				A/T	01.96 -> 12.98	Post cat Left	250-24018
				A/T	01.96 -> 12.98	Post cat Right	250-24018
				M/T	01.96 -> 12.98	Pre cat Left	250-24019
				M/T	01.96 -> 12.98	Pre cat Right	250-24019
				M/T	01.96 -> 12.98	Post cat Left	250-24018
				M/T	01.96 -> 12.98	Post cat Right	250-24018
					01.99 -> 12.99	Pre cat Left	250-24012
					01.99 -> 12.99	Pre cat Right	250-24012
					01.99 -> 12.99	Post cat Left	250-24018
					01.99 -> 12.99	Post cat Right	250-24018
5.7				Exc. Trans Code 4L60E	01.95 -> 12.95	Pre cat Left	250-21001
				Trans Code 4L60E	01.95 -> 12.95	Pre cat Right	250-23011
				A/T; w/o Electronic Trans	01.96 -> 12.99	Pre cat Left	250-24019
				A/T; w/o Electronic Trans	01.96 -> 12.99	Pre cat Right	250-24019
				A/T; w/o Electronic Trans	01.96 -> 12.99	Post cat Left	250-24018
				A/T; w/o Electronic Trans	01.96 -> 12.99	Post cat Right	250-24018



Model / Liter	Body Code	Engine kW	Engine Code	Application Identifier Engine or Chassis	Year From→ To	Position	Walker Direct Fit
<b>GMC (cont'd)</b>							
<b>PICKUP K1500 (cont'd)</b>							
5.7				A/T; w/ Electronic Trans	01.96 -> 12.99	Pre cat Left	250-24012
				A/T; w/ Electronic Trans	01.96 -> 12.99	Pre cat Right	250-24012
				A/T; w/ Electronic Trans	01.96 -> 12.99	Post cat Left	250-24018
				A/T; w/ Electronic Trans	01.96 -> 12.99	Post cat Right	250-24018
				M/T	01.96 -> 12.99	Pre cat Left	250-24019
				M/T	01.96 -> 12.99	Pre cat Right	250-24019
				M/T	01.96 -> 12.99	Post cat Left	250-24018
				M/T	01.96 -> 12.99	Post cat Right	250-24018
<b>PICKUP K2500</b>							
4.3					01.94 -> 12.95	Pre cat Left	250-23005
					01.94 -> 12.95	Pre cat Right	250-23005
5.0					01.95 -> 12.95	Pre cat	250-21001
				Exc. Trans Code 4L60E	01.96 -> 12.98	Pre cat Left	250-24019
				Exc. Trans Code 4L60E	01.96 -> 12.98	Pre cat Right	250-24019
				Exc. Trans Code 4L60E	01.96 -> 12.98	Post cat Left	250-24018
				Exc. Trans Code 4L60E	01.96 -> 12.98	Post cat Right	250-24018
				Trans Code 4L60E	01.96 -> 12.98	Pre cat Left	250-24012
				Trans Code 4L60E	01.96 -> 12.98	Pre cat Right	250-24012
				Trans Code 4L60E	01.96 -> 12.98	Post cat Left	250-24018
				Trans Code 4L60E	01.96 -> 12.98	Post cat Right	250-24018
5.7					01.00 -> 12.00	Pre cat Left	250-24019
					01.00 -> 12.00	Pre cat Right	250-24019
					01.00 -> 12.00	Post cat Left	250-24018
					01.00 -> 12.00	Post cat Right	250-24018
				Exc. Trans Code 4L60E	01.95 -> 12.95	Pre cat	250-21001
				Trans Code 4L60E	01.95 -> 12.95	Pre cat	250-23011
				A/T; w/o Electronic Trans	01.96 -> 12.99	Pre cat Left	250-24019
				A/T; w/o Electronic Trans	01.96 -> 12.99	Pre cat Right	250-24019
				A/T; w/o Electronic Trans	01.96 -> 12.99	Post cat Left	250-24018
				A/T; w/o Electronic Trans	01.96 -> 12.99	Post cat Right	250-24018
				A/T; w/ Electronic Trans	01.96 -> 12.99	Pre cat Left	250-24012
				A/T; w/ Electronic Trans	01.96 -> 12.99	Pre cat Right	250-24012
				A/T; w/ Electronic Trans	01.96 -> 12.99	Post cat Left	250-24018
				A/T; w/ Electronic Trans	01.96 -> 12.99	Post cat Right	250-24018
				M/T	01.96 -> 12.99	Pre cat Left	250-24019
				M/T	01.96 -> 12.99	Pre cat Right	250-24019
				M/T	01.96 -> 12.99	Post cat Left	250-24018
				M/T	01.96 -> 12.99	Post cat Right	250-24018
7.4					01.96 -> 12.99	Pre cat Left	250-24019
					01.96 -> 12.99	Pre cat Right	250-24019
					01.96 -> 12.99	Post cat Left	250-24018
					01.96 -> 12.99	Post cat Right	250-24018
					01.00 -> 12.00	Pre cat Left	250-24248
					01.00 -> 12.00	Pre cat Right	250-24248
					01.00 -> 12.00	Post cat Left	250-24018
					01.00 -> 12.00	Post cat Right	250-24018
<b>PICKUP K3500</b>							
5.7				A/T; w/o Electronic Trans	01.96 -> 12.99	Pre cat Left	250-24019
				A/T; w/o Electronic Trans	01.96 -> 12.99	Pre cat Right	250-24019
				A/T; w/o Electronic Trans	01.96 -> 12.99	Post cat Left	250-24018
				A/T; w/o Electronic Trans	01.96 -> 12.99	Post cat Right	250-24018
				A/T; w/ Electronic Trans	01.96 -> 12.99	Pre cat Left	250-24012
				A/T; w/ Electronic Trans	01.96 -> 12.99	Pre cat Right	250-24012
				A/T; w/ Electronic Trans	01.96 -> 12.99	Post cat Left	250-24018
				A/T; w/ Electronic Trans	01.96 -> 12.99	Post cat Right	250-24018
				M/T	01.96 -> 12.99	Pre cat Left	250-24019
				M/T	01.96 -> 12.99	Pre cat Right	250-24019
				M/T	01.96 -> 12.99	Post cat Left	250-24018
				M/T	01.96 -> 12.99	Post cat Right	250-24018
					01.00 -> 12.00	Pre cat Left	250-24019
					01.00 -> 12.00	Pre cat Right	250-24019
					01.00 -> 12.00	Post cat Left	250-24018
					01.00 -> 12.00	Post cat Right	250-24018
5.7 SIERRA				Exc. Trans Code 4L80E	01.95 -> 12.95	Pre cat	250-21001
				Trans Code 4L80E	01.95 -> 12.95	Pre cat	250-23011
7.4					01.96 -> 12.99	Pre cat Left	250-24019
					01.96 -> 12.99	Pre cat Right	250-24019
					01.96 -> 12.99	Post cat Left	250-24018
					01.96 -> 12.99	Post cat Right	250-24018





Model / Liter	Body Code	Engine kW	Engine Code	Application Identifier Engine or Chassis	Year From→To	Position	Walker Direct Fit
<b>GMC (cont'd)</b>							
<b>PICKUP K3500 (cont'd)</b>							
7.4					01.00 -> 12.00	Pre cat Left	250-24248
					01.00 -> 12.00	Pre cat Right	250-24248
					01.00 -> 12.00	Post cat Left	250-24018
					01.00 -> 12.00	Post cat Right	250-24018
<b>SAFARI</b>							
4.3					01.95 -> 12.95	Pre cat	250-23011
					01.96 -> 12.97	Pre cat Left	250-24012
					01.96 -> 12.97	Pre cat Right	250-24012
					01.96 -> 12.97	Post cat	• 250-24018
					01.98 -> 12.99	Pre cat Left	250-24273
					01.98 -> 12.99	Pre cat Right	250-24273
					01.98 -> 12.99	Post cat	• 250-24273
					01.00 -> 12.02	Pre cat Left	250-24267
					01.00 -> 12.02	Pre cat Right	250-24269
					01.00 -> 12.02	Post cat	• 250-24269
					01.03 -> 12.05	Pre cat Left	250-24339
					01.03 -> 12.05	Pre cat Right	250-24355
					01.03 -> 12.05	Post cat	• 250-24355
<b>SIERRA 1500</b>							
4.3					01.99 -> 12.00	Pre cat Left	250-24012
					01.99 -> 12.00	Pre cat Right	250-24012
					01.99 -> 12.00	Post cat Left	250-24018
					01.99 -> 12.00	Post cat Right	250-24018
				3-Door; Extended Cab	01.01 -> 12.01	Pre cat Left	250-24012
				3-Door; Extended Cab	01.01 -> 12.01	Pre cat Right	250-24012
				3-Door; Extended Cab	01.01 -> 12.01	Post cat Left	250-24202
				3-Door; Extended Cab	01.01 -> 12.01	Post cat Right	250-24202
				Exc. 3-Door; Extended Cab	01.01 -> 12.01	Pre cat Left	250-24012
				Exc. 3-Door; Extended Cab	01.01 -> 12.01	Pre cat Right	250-24012
				Exc. 3-Door; Extended Cab	01.01 -> 12.01	Post cat Left	250-24018
				Exc. 3-Door; Extended Cab	01.01 -> 12.01	Post cat Right	250-24018
	X				01.02 -> 12.02	Pre cat Left	250-24269
	X				01.02 -> 12.02	Pre cat Right	250-24269
	X				01.02 -> 12.02	Post cat Left	250-24269
	X				01.02 -> 12.02	Post cat Right	250-24269
	W				01.02 -> 12.02	Pre cat Left	250-24012
	W				01.02 -> 12.02	Pre cat Right	250-24012
	W				01.02 -> 12.02	Post cat Left	250-24018
	W				01.02 -> 12.02	Post cat Right	250-24018
	X				01.03 -> 12.03	Pre cat Left	250-24012
	X				01.03 -> 12.03	Pre cat Right	250-24012
	X				01.03 -> 12.03	Post cat Left	250-24267
	X				01.03 -> 12.03	Post cat Right	250-24267
	X				01.04 -> 12.05	Pre cat Left	250-24491
	X				01.04 -> 12.05	Pre cat Right	250-24491
	X				01.04 -> 12.05	Post cat Left	250-24267
	X				01.04 -> 12.05	Post cat Right	250-24267
	X				01.06 -> 12.06	Pre cat Left	250-24267
	X				01.06 -> 12.06	Pre cat Right	250-24267
	X				01.06 -> 12.06	Post cat Left	250-24267
	X				01.06 -> 12.06	Post cat Right	250-24267
	X				01.07 -> 12.08	Pre cat Left	250-24703
	X				01.07 -> 12.08	Pre cat Right	250-24703
	X				01.07 -> 12.08	Post cat Left	250-24355
	X				01.07 -> 12.08	Post cat Right	250-24355
4.8					01.99 -> 12.02	Pre cat Left	250-24012
					01.99 -> 12.02	Pre cat Right	250-24012
					01.99 -> 12.02	Post cat Left	250-24018
					01.99 -> 12.02	Post cat Right	250-24018
					01.03 -> 12.03	Pre cat Left	250-24267
					01.03 -> 12.03	Pre cat Right	250-24267
					01.03 -> 12.03	Post cat Left	250-24267
					01.03 -> 12.03	Post cat Right	250-24267
					01.04 -> 12.05	Pre cat Left	250-24491
					01.04 -> 12.05	Pre cat Right	250-24491
					01.04 -> 12.05	Post cat Left	250-24267
					01.04 -> 12.05	Post cat Right	250-24267



Model / Liter	Body Code	kW	Engine Code	Application Identifier Engine or Chassis	Year From→ To	Position	Walker Direct Fit
<b>GMC (cont'd)</b>							
<b>SIERRA 1500 (cont'd)</b>							
4.8					01.06 -> 12.06	Pre cat Left	250-24703
					01.06 -> 12.06	Pre cat Right	250-24703
					01.06 -> 12.06	Post cat Left	250-24355
					01.06 -> 12.06	Post cat Right	250-24355
					01.07 -> 12.07	Pre cat Left	250-24470
					01.07 -> 12.07	Pre cat Right	250-24470
					01.07 -> 12.07	Post cat Left	250-24267
					01.07 -> 12.07	Post cat Right	250-24267
					01.08 -> 12.08	Pre cat Left	250-24470
					01.08 -> 12.08	Pre cat Right	250-24470
					01.08 -> 12.08	Post cat Left	250-24736
					01.08 -> 12.08	Post cat Right	250-24736
4.8 CLASSIC SERIES					01.07 -> 12.07	Pre cat Left	250-24703
					01.07 -> 12.07	Pre cat Right	250-24703
					01.07 -> 12.07	Post cat Left	250-24355
					01.07 -> 12.07	Post cat Right	250-24355
5.3					01.99 -> 12.02	Pre cat Left	250-24012
					01.99 -> 12.02	Pre cat Right	250-24012
					01.99 -> 12.02	Post cat Left	250-24018
					01.99 -> 12.02	Post cat Right	250-24018
			Flex Fuel Vehicle		01.02 -> 12.02	Pre cat Left	250-24269
			Flex Fuel Vehicle		01.02 -> 12.02	Pre cat Right	250-24269
			Flex Fuel Vehicle		01.02 -> 12.02	Post cat Left	250-24269
			Flex Fuel Vehicle		01.02 -> 12.02	Post cat Right	250-24269
					01.03 -> 12.05	Pre cat Left	250-24470
					01.03 -> 12.05	Pre cat Right	250-24470
					01.03 -> 12.05	Post cat Left	250-24470
					01.03 -> 12.05	Post cat Right	250-24470
					01.06 -> 12.06	Pre cat Left	250-24703
					01.06 -> 12.06	Pre cat Right	250-24703
					01.06 -> 12.06	Post cat Left	250-24708
					01.06 -> 12.06	Post cat Right	250-24708
	LY5				01.07 -> 12.07	Pre cat Left	250-24470
	LY5				01.07 -> 12.07	Pre cat Right	250-24470
	LY5				01.07 -> 12.07	Post cat Left	250-24267
	LY5				01.07 -> 12.07	Post cat Right	250-24267
					01.08 -> 12.08	Pre cat Left	250-24470
					01.08 -> 12.08	Pre cat Right	250-24470
					01.08 -> 12.08	Post cat Left	250-24736
					01.08 -> 12.08	Post cat Right	250-24736
5.3 HYBRID					01.06 -> 12.07	Pre cat Left	250-24703
					01.06 -> 12.07	Pre cat Right	250-24703
					01.06 -> 12.07	Post cat Left	250-24708
					01.06 -> 12.07	Post cat Right	250-24708
5.3 CLASSIC SERIES					01.07 -> 12.07	Pre cat Left	250-24703
					01.07 -> 12.07	Pre cat Right	250-24703
					01.07 -> 12.07	Post cat Left	250-24708
					01.07 -> 12.07	Post cat Right	250-24708
6.0					01.06 -> 12.06	Pre cat Left	250-24491
					01.06 -> 12.06	Pre cat Right	250-24491
					01.06 -> 12.06	Post cat Left	250-24267
					01.06 -> 12.06	Post cat Right	250-24267
	L76				01.07 -> 12.07	Pre cat Left	250-24470
	L76				01.07 -> 12.07	Pre cat Right	250-24470
	L76				01.07 -> 12.07	Post cat Left	250-24267
	L76				01.07 -> 12.07	Post cat Right	250-24267
	L76				01.08 -> 12.08	Pre cat Left	250-24470
	L76				01.08 -> 12.08	Pre cat Right	250-24470
	L76				01.08 -> 12.08	Post cat Left	250-24736
	L76				01.08 -> 12.08	Post cat Right	250-24736
6.0 CLASSIC SERIES					01.07 -> 12.07	Pre cat Left	250-24491
					01.07 -> 12.07	Pre cat Right	250-24491
					01.07 -> 12.07	Post cat Left	250-24267
					01.07 -> 12.07	Post cat Right	250-24267
<b>SIERRA 1500 HD</b>							
6.0					01.02 -> 12.02	Pre cat Left	250-24248
					01.02 -> 12.02	Pre cat Right	250-24248
					01.02 -> 12.02	Post cat Left	250-24488
					01.02 -> 12.02	Post cat Right	250-24267



Model / Liter	Body Code	Engine kW	Engine Code	Application Identifier Engine or Chassis	Year From→To	Position	Walker Direct Fit
<b>GMC (cont'd)</b>							
<b>SIERRA 1500 HD (cont'd)</b>							
6.0					01.03 -> 12.07	Pre cat Left	250-24491
					01.03 -> 12.07	Pre cat Right	250-24491
					01.03 -> 12.07	Post cat Left	250-24488
					01.03 -> 12.07	Post cat Right	250-24267
<b>SIERRA 2500</b>							
5.3					01.99 -> 12.00	Pre cat Left	250-24012
					01.99 -> 12.00	Pre cat Right	250-24012
					01.99 -> 12.00	Post cat Left	250-24018
					01.99 -> 12.00	Post cat Right	250-24018
6.0					01.99 -> 12.00	Pre cat Left	250-24019
					01.99 -> 12.00	Pre cat Right	250-24019
					01.99 -> 12.00	Post cat Left	250-24202
					01.99 -> 12.00	Post cat Right	250-24018
					01.01 -> 12.01	Pre cat Left	250-24248
					01.01 -> 12.01	Pre cat Right	250-24248
					01.01 -> 12.01	Post cat Left	250-24202
					01.01 -> 12.01	Post cat Right	250-24018
					01.02 -> 12.02	Pre cat Left	250-24248
					01.02 -> 12.02	Pre cat Right	250-24248
					01.02 -> 12.02	Post cat Left	250-24488
					01.02 -> 12.02	Post cat Right	250-24267
					01.03 -> 12.04	Pre cat Left	250-24491
					01.03 -> 12.04	Pre cat Right	250-24491
					01.03 -> 12.04	Post cat Left	250-24488
					01.03 -> 12.04	Post cat Right	250-24267
<b>SIERRA 2500 HD</b>							
6.0					01.01 -> 12.01	Pre cat Left	250-24248
					01.01 -> 12.01	Pre cat Right	250-24248
					01.01 -> 12.01	Post cat Left	250-24202
					01.01 -> 12.01	Post cat Right	250-24018
					01.03 -> 12.06	Pre cat Left	250-24491
					01.03 -> 12.06	Pre cat Right	250-24491
					01.03 -> 12.06	Post cat Left	250-24488
					01.03 -> 12.06	Post cat Right	250-24267
			Exc. Cab & Chassis		01.07 -> 12.07	Pre cat Left	250-24470
			Exc. Cab & Chassis		01.07 -> 12.07	Pre cat Right	250-24470
			Exc. Cab & Chassis		01.07 -> 12.07	Post cat Left	250-24267
			Exc. Cab & Chassis		01.07 -> 12.07	Post cat Right	250-24267
			Cab & Chassis		01.07 -> 12.07	Pre cat Left	250-24491
			Cab & Chassis		01.07 -> 12.07	Pre cat Right	250-24491
			Cab & Chassis		01.07 -> 12.07	Post cat Left	250-24488
			Cab & Chassis		01.07 -> 12.07	Post cat Right	250-24267
			Exc. Cab & Chassis		01.08 -> 12.08	Pre cat Left	250-24470
			Exc. Cab & Chassis		01.08 -> 12.08	Pre cat Right	250-24470
			Exc. Cab & Chassis		01.08 -> 12.08	Post cat Left	250-24736
			Exc. Cab & Chassis		01.08 -> 12.08	Post cat Right	250-24736
			Cab & Chassis		01.08 -> 12.08	Pre cat Left	250-24491
			Cab & Chassis		01.08 -> 12.08	Pre cat Right	250-24491
			Cab & Chassis		01.08 -> 12.08	Post cat Left	250-24728
			Cab & Chassis		01.08 -> 12.08	Post cat Right	250-24736
<b>6.0 CLASSIC SERIES</b>							
					01.07 -> 12.07	Pre cat Left	250-24491
					01.07 -> 12.07	Pre cat Right	250-24491
					01.07 -> 12.07	Post cat Left	250-24488
					01.07 -> 12.07	Post cat Right	250-24267
8.1					01.01 -> 12.01	Pre cat Left	250-24248
					01.01 -> 12.01	Pre cat Right	250-24248
					01.01 -> 12.01	Post cat Left	250-24274
					01.01 -> 12.01	Post cat Right	250-24248
					01.02 -> 12.02	Pre cat Left	250-24248
					01.02 -> 12.02	Pre cat Right	250-24248
					01.02 -> 12.02	Post cat Left	250-24274
					01.02 -> 12.02	Post cat Right	250-24248
					01.03 -> 12.05	Pre cat Left	250-24491
					01.03 -> 12.05	Pre cat Right	250-24491
					01.03 -> 12.05	Post cat Left	250-24492
					01.03 -> 12.05	Post cat Right	250-24491



Model / Liter	Body Code	Engine kW	Engine Code	Application Identifier Engine or Chassis	Year From→ To	Position	Walker Direct Fit
<b>GMC (cont'd)</b>							
<b>SIERRA 2500 HD (cont'd)</b>							
8.1					01.06 -> 12.07	Pre cat Left	250-24491
					01.06 -> 12.07	Pre cat Right	250-24491
					01.06 -> 12.07	Post cat Left	250-24492
					01.06 -> 12.07	Post cat Right	250-24491
<b>SIERRA 3500</b>							
6.0					01.01 -> 12.01	Pre cat Left	250-24248
					01.01 -> 12.01	Pre cat Right	250-24248
					01.01 -> 12.01	Post cat Left	250-24202
					01.01 -> 12.01	Post cat Right	250-24018
					01.02 -> 12.02	Pre cat Left	250-24248
					01.02 -> 12.02	Pre cat Right	250-24248
					01.02 -> 12.02	Post cat Left	250-24488
					01.02 -> 12.02	Post cat Right	250-24267
					01.03 -> 12.07	Pre cat Left	250-24491
					01.03 -> 12.07	Pre cat Right	250-24491
					01.03 -> 12.07	Post cat Left	250-24488
					01.03 -> 12.07	Post cat Right	250-24267
8.1					01.01 -> 12.02	Pre cat Left	250-24248
					01.01 -> 12.02	Pre cat Right	250-24248
					01.01 -> 12.02	Post cat Left	250-24274
					01.01 -> 12.02	Post cat Right	250-24248
					01.03 -> 12.07	Pre cat Left	250-24491
					01.03 -> 12.07	Pre cat Right	250-24491
					01.03 -> 12.07	Post cat Left	250-24492
					01.03 -> 12.07	Post cat Right	250-24491
<b>SIERRA 3500 HD</b>							
6.0				Cab & Chassis	01.07 -> 12.08	Pre cat Left	250-24491
				Cab & Chassis	01.07 -> 12.08	Pre cat Right	250-24491
				Cab & Chassis	01.07 -> 12.08	Post cat Left	250-24728
				Cab & Chassis	01.07 -> 12.08	Post cat Right	250-24736
				Exc. Cab & Chassis	01.07 -> 12.08	Pre cat Left	250-24470
				Exc. Cab & Chassis	01.07 -> 12.08	Pre cat Right	250-24470
				Exc. Cab & Chassis	01.07 -> 12.08	Post cat Left	250-24736
				Exc. Cab & Chassis	01.07 -> 12.08	Post cat Right	250-24736
<b>SIERRA C3</b>							
6.0					01.01 -> 12.01	Pre cat Left	250-24248
					01.01 -> 12.01	Pre cat Right	250-24248
					01.01 -> 12.01	Post cat Left	250-24202
					01.01 -> 12.01	Post cat Right	250-24018
<b>SIERRA DENALI</b>							
6.0					01.02 -> 12.02	Pre cat Left	250-24248
					01.02 -> 12.02	Pre cat Right	250-24248
					01.02 -> 12.02	Post cat Left	250-24488
					01.02 -> 12.02	Post cat Right	250-24267
					01.03 -> 12.04	Pre cat Left	250-24491
					01.03 -> 12.04	Pre cat Right	250-24491
					01.03 -> 12.04	Post cat Left	250-24267
					01.03 -> 12.04	Post cat Right	250-24267
					01.05 -> 12.06	Pre cat Left	250-24491
					01.05 -> 12.06	Pre cat Right	250-24491
					01.05 -> 12.06	Post cat Left	250-24267
					01.05 -> 12.06	Post cat Right	250-24267
<b>6.0 CLASSIC SERIES</b>							
					01.07 -> 12.07	Pre cat Left	250-24491
					01.07 -> 12.07	Pre cat Right	250-24491
					01.07 -> 12.07	Post cat Left	250-24267
					01.07 -> 12.07	Post cat Right	250-24267
6.2			L92		01.07 -> 12.07	Pre cat Left	250-24470
			L92		01.07 -> 12.07	Pre cat Right	250-24470
			L92		01.07 -> 12.07	Post cat Left	250-24267
			L92		01.07 -> 12.07	Post cat Right	250-24267
			L92		01.08 -> 12.08	Pre cat Left	250-24470
			L92		01.08 -> 12.08	Pre cat Right	250-24470
			L92		01.08 -> 12.08	Post cat Left	250-24736
			L92		01.08 -> 12.08	Post cat Right	250-24736
<b>SONOMA</b>							
2.2					01.93 -> 12.95	Pre cat	250-21001
					01.96 -> 12.98	Pre cat	250-21001
					01.96 -> 12.98	Post cat	250-24340





Model / Liter	Body Code	Engine kW	Engine Code	Application Identifier Engine or Chassis	Year From→To	Position	Walker Direct Fit
<b>GMC (cont'd)</b>							
<b>SONOMA (cont'd)</b>							
2.2					01.99 -> 12.99	Pre cat	250-21028
					01.99 -> 12.99	Post cat	250-24340
					01.00 -> 12.00	Pre cat	250-21028
					01.00 -> 12.00	Post cat	250-24340
					01.01 -> 12.03	Pre cat	250-22060
					01.01 -> 12.03	Post cat	250-24340
4.3				Engine VIN Z	01.93 -> 12.95	Pre cat	250-23005
					01.95 -> 12.95	Pre cat	250-24012
					01.96 -> 12.97	Pre cat Left	250-24012
					01.96 -> 12.97	Pre cat Right	250-24012
					01.96 -> 12.97	Center	•250-24012
					01.96 -> 12.97	Post cat	•250-24012
					01.98 -> 12.01	Pre cat Left	250-24012
					01.98 -> 12.01	Pre cat Right	250-24012
					01.98 -> 12.01	Post cat	•250-24012
					01.01 -> 12.04	Pre cat Left	250-24269
					01.01 -> 12.04	Pre cat Right	250-24269
					01.01 -> 12.04	Post cat	•250-24269
<b>SUBURBAN C1500</b>							
5.7				Exc. Trans Code 4L60E	01.95 -> 12.95	Pre cat	250-21001
				Trans Code 4L60E	01.95 -> 12.95	Pre cat	250-23011
				A/T; w/o Electronic Trans	01.96 -> 12.99	Pre cat Left	250-24019
				A/T; w/o Electronic Trans	01.96 -> 12.99	Pre cat Right	250-24019
				A/T; w/o Electronic Trans	01.96 -> 12.99	Post cat Left	250-24018
				A/T; w/o Electronic Trans	01.96 -> 12.99	Post cat Right	250-24018
				A/T; w/ Electronic Trans	01.96 -> 12.99	Pre cat Left	250-24012
				A/T; w/ Electronic Trans	01.96 -> 12.99	Pre cat Right	250-24012
				A/T; w/ Electronic Trans	01.96 -> 12.99	Post cat Left	250-24018
				A/T; w/ Electronic Trans	01.96 -> 12.99	Post cat Right	250-24018
				M/T	01.96 -> 12.99	Pre cat Left	250-24019
				M/T	01.96 -> 12.99	Pre cat Right	250-24019
				M/T	01.96 -> 12.99	Post cat Left	250-24018
				M/T	01.96 -> 12.99	Post cat Right	250-24018
<b>SUBURBAN C2500</b>							
5.7				Exc. Trans Code 4L60E	01.95 -> 12.95	Pre cat	250-21001
				Trans Code 4L60E	01.95 -> 12.95	Pre cat	250-23011
				A/T; w/o Electronic Trans	01.96 -> 12.99	Pre cat Left	250-24019
				A/T; w/o Electronic Trans	01.96 -> 12.99	Pre cat Right	250-24019
				A/T; w/o Electronic Trans	01.96 -> 12.99	Post cat Left	250-24018
				A/T; w/o Electronic Trans	01.96 -> 12.99	Post cat Right	250-24018
				A/T; w/ Electronic Trans	01.96 -> 12.99	Pre cat Left	250-24012
				A/T; w/ Electronic Trans	01.96 -> 12.99	Pre cat Right	250-24012
				A/T; w/ Electronic Trans	01.96 -> 12.99	Post cat Left	250-24018
				A/T; w/ Electronic Trans	01.96 -> 12.99	Post cat Right	250-24018
				M/T	01.96 -> 12.99	Pre cat Left	250-24019
				M/T	01.96 -> 12.99	Pre cat Right	250-24019
				M/T	01.96 -> 12.99	Post cat Left	250-24018
				M/T	01.96 -> 12.99	Post cat Right	250-24018
7.4					01.94 -> 12.95	Pre cat	250-21001
					01.96 -> 12.99	Pre cat Left	250-24019
					01.96 -> 12.99	Pre cat Right	250-24019
					01.96 -> 12.99	Post cat Left	250-24018
					01.96 -> 12.99	Post cat Right	250-24018
<b>SUBURBAN K1500</b>							
5.7				Exc. Trans Code 4L60E	01.95 -> 12.95	Pre cat	250-21001
				Trans Code 4L60E	01.95 -> 12.95	Pre cat	250-23011
				A/T; w/o Electronic Trans	01.96 -> 12.99	Pre cat Left	250-24019
				A/T; w/o Electronic Trans	01.96 -> 12.99	Pre cat Right	250-24019
				A/T; w/o Electronic Trans	01.96 -> 12.99	Post cat Left	250-24018
				A/T; w/o Electronic Trans	01.96 -> 12.99	Post cat Right	250-24018
				A/T; w/ Electronic Trans	01.96 -> 12.99	Pre cat Left	250-24012
				A/T; w/ Electronic Trans	01.96 -> 12.99	Pre cat Right	250-24012
				A/T; w/ Electronic Trans	01.96 -> 12.99	Post cat Left	250-24018
				A/T; w/ Electronic Trans	01.96 -> 12.99	Post cat Right	250-24018
				M/T	01.96 -> 12.99	Pre cat Left	250-24019
				M/T	01.96 -> 12.99	Pre cat Right	250-24019
				M/T	01.96 -> 12.99	Post cat Left	250-24018
				M/T	01.96 -> 12.99	Post cat Right	250-24018



Model / Liter	Body Code	kW	Engine Code	Application Identifier Engine or Chassis	Year From→ To	Position	Walker Direct Fit
<b>GMC (cont'd)</b>							
<b>SUBURBAN K2500</b>							
5.7				Exc. Trans Code 4L60E	01.95 -> 12.95	Pre cat	250-21001
				Trans Code 4L60E	01.95 -> 12.95	Pre cat	250-23011
				A/T; w/o Electronic Trans	01.96 -> 12.99	Pre cat Left	250-24019
				A/T; w/o Electronic Trans	01.96 -> 12.99	Pre cat Right	250-24019
				A/T; w/o Electronic Trans	01.96 -> 12.99	Post cat Left	250-24018
				A/T; w/o Electronic Trans	01.96 -> 12.99	Post cat Right	250-24018
				A/T; w/ Electronic Trans	01.96 -> 12.99	Pre cat Left	250-24012
				A/T; w/ Electronic Trans	01.96 -> 12.99	Pre cat Right	250-24012
				A/T; w/ Electronic Trans	01.96 -> 12.99	Post cat Left	250-24018
				A/T; w/ Electronic Trans	01.96 -> 12.99	Post cat Right	250-24018
				M/T	01.96 -> 12.99	Pre cat Left	250-24019
				M/T	01.96 -> 12.99	Pre cat Right	250-24019
				M/T	01.96 -> 12.99	Post cat Left	250-24018
				M/T	01.96 -> 12.99	Post cat Right	250-24018
7.4					01.92 -> 12.95	Pre cat	250-21001
					01.96 -> 12.99	Pre cat Left	250-24019
					01.96 -> 12.99	Pre cat Right	250-24019
					01.96 -> 12.99	Post cat Left	250-24018
					01.96 -> 12.99	Post cat Right	250-24018
<b>VAN G15/G1500</b>							
4.3					01.95 -> 12.95	Pre cat	250-23011
5.0					01.95 -> 12.95	Pre cat	250-21001
5.7 SAVANNA				A/T; w/o Electronic Trans	01.97 -> 12.97	Pre cat Left	250-24019
				A/T; w/o Electronic Trans	01.97 -> 12.97	Pre cat Right	250-24019
				A/T; w/o Electronic Trans	01.97 -> 12.97	Post cat Left	250-24018
				A/T; w/o Electronic Trans	01.97 -> 12.97	Post cat Right	250-24018
				A/T; w/ Electronic Trans	01.97 -> 12.97	Pre cat Left	250-24012
				A/T; w/ Electronic Trans	01.97 -> 12.97	Pre cat Right	250-24012
				A/T; w/ Electronic Trans	01.97 -> 12.97	Post cat Left	250-24018
				A/T; w/ Electronic Trans	01.97 -> 12.97	Post cat Right	250-24018
				M/T	01.97 -> 12.97	Pre cat Left	250-24019
				M/T	01.97 -> 12.97	Pre cat Right	250-24019
				M/T	01.97 -> 12.97	Post cat Left	250-24018
				M/T	01.97 -> 12.97	Post cat Right	250-24018
<b>VAN G25/G2500</b>							
4.3					01.85 -> 12.96	Pre cat	250-23011
					01.95 -> 12.95	Pre cat	250-23011
5.7					01.83 -> 12.96	Pre cat	250-21001
7.4					01.86 -> 12.96	Pre cat	250-21001
<b>VAN G3500</b>							
5.7					01.96 -> 12.96	Pre cat	250-21001
7.4					01.96 -> 12.96	Pre cat	250-21001
<b>VAN P35/P3500</b>							
4.3					01.95 -> 12.95	Pre cat	250-24012
					01.96 -> 12.99	Pre cat Left	250-24019
					01.96 -> 12.99	Pre cat Right	250-24019
					01.96 -> 12.99	Post cat Left	250-24018
					01.96 -> 12.99	Post cat Right	250-24018
5.7					01.87 -> 12.96	Pre cat	250-21001
					01.96 -> 12.99	Pre cat Left	250-24019
					01.96 -> 12.99	Pre cat Right	250-24019
					01.96 -> 12.99	Post cat Left	250-24018
					01.96 -> 12.99	Post cat Right	250-24018
7.4					01.90 -> 12.97	Pre cat	250-21001
					01.96 -> 12.99	Pre cat Left	250-24019
					01.96 -> 12.99	Pre cat Right	250-24019
					01.96 -> 12.99	Post cat Left	250-24018
					01.96 -> 12.99	Post cat Right	250-24018
<b>VAN SAVANA 1500</b>							
4.3					01.96 -> 12.97	Pre cat Left	250-24012
					01.96 -> 12.97	Pre cat Right	250-24012
					01.96 -> 12.97	Post cat Left	250-24018
					01.96 -> 12.97	Post cat Right	250-24018
					01.98 -> 12.02	Pre cat Left	250-24012
					01.98 -> 12.02	Pre cat Right	250-24012
					01.98 -> 12.02	Post cat	• 250-24018



Model / Liter	Body Code	Engine kW	Engine Code	Application Identifier Engine or Chassis	Year From→To	Position	Walker Direct Fit
<b>GMC (cont'd)</b>							
<b>VAN SAVANA 1500 (cont'd)</b>							
4.3				1st Design Exhaust	01.03 -> 12.03	Pre cat Left	250-24267
				1st Design Exhaust	01.03 -> 12.03	Pre cat Right	250-24267
				1st Design Exhaust	01.03 -> 12.03	Post cat Left	250-24267
				1st Design Exhaust	01.03 -> 12.03	Post cat Right	250-24267
				2nd Design Exhaust	01.03 -> 12.03	Pre cat Left	250-24267
				2nd Design Exhaust	01.03 -> 12.03	Pre cat Right	250-24339
				2nd Design Exhaust	01.03 -> 12.03	Post cat Left	250-24267
				2nd Design Exhaust	01.03 -> 12.03	Post cat Right	250-24339
					01.04 -> 12.06	Pre cat Left	250-24267
					01.04 -> 12.06	Pre cat Right	250-24339
					01.04 -> 12.06	Post cat Left	250-24267
					01.04 -> 12.06	Post cat Right	250-24339
					01.07 -> 12.07	Pre cat Left	250-24708
					01.07 -> 12.07	Pre cat Right	250-24708
					01.07 -> 12.07	Post cat Left	250-24649
					01.07 -> 12.07	Post cat Right	250-24649
					01.08 -> 12.08	Pre cat Left	250-24708
					01.08 -> 12.08	Pre cat Right	250-24708
					01.08 -> 12.08	Post cat Left	250-24491
					01.08 -> 12.08	Post cat Right	250-24491
5.0					01.97 -> 12.97	Pre cat Left	250-24012
					01.97 -> 12.97	Pre cat Right	250-24012
					01.97 -> 12.97	Post cat Left	250-24018
					01.97 -> 12.97	Post cat Right	250-24018
					01.98 -> 12.02	Pre cat Left	250-24012
5.3					01.98 -> 12.02	Pre cat Right	250-24012
					01.98 -> 12.02	Post cat	•250-24018
				1st Design Exhaust	01.03 -> 12.03	Pre cat Left	250-24267
				1st Design Exhaust	01.03 -> 12.03	Pre cat Right	250-24267
				1st Design Exhaust	01.03 -> 12.03	Post cat Left	250-24267
				1st Design Exhaust	01.03 -> 12.03	Post cat Right	250-24267
				2nd Design Exhaust	01.03 -> 12.03	Pre cat Left	250-24267
				2nd Design Exhaust	01.03 -> 12.03	Pre cat Right	250-24339
				2nd Design Exhaust	01.03 -> 12.03	Post cat Left	250-24267
				2nd Design Exhaust	01.03 -> 12.03	Post cat Right	250-24339
5.7					01.04 -> 12.06	Pre cat Left	250-24267
					01.04 -> 12.06	Pre cat Right	250-24339
					01.04 -> 12.06	Post cat Left	250-24267
					01.04 -> 12.06	Post cat Right	250-24339
					01.07 -> 12.07	Pre cat Left	250-24267
					01.07 -> 12.07	Pre cat Right	250-24339
					01.07 -> 12.07	Post cat Left	250-24267
					01.07 -> 12.07	Post cat Right	250-24339
			LMF	Flex Fuel Vehicle	01.08 -> 12.08	Pre cat Left	250-24708
			LMF	Flex Fuel Vehicle	01.08 -> 12.08	Pre cat Right	250-24708
			LMF	Flex Fuel Vehicle	01.08 -> 12.08	Post cat Left	250-24491
			LMF	Flex Fuel Vehicle	01.08 -> 12.08	Post cat Right	250-24491
5.7				w/o Electronic Trans	01.96 -> 12.98	Pre cat Left	250-24019
				w/o Electronic Trans	01.96 -> 12.98	Pre cat Right	250-24019
				w/o Electronic Trans	01.96 -> 12.98	Post cat Left	250-24018
				w/o Electronic Trans	01.96 -> 12.98	Post cat Right	250-24018
				w/ Electronic Trans	01.96 -> 12.98	Pre cat Left	250-24012
				w/ Electronic Trans	01.96 -> 12.98	Pre cat Right	250-24012
				w/ Electronic Trans	01.96 -> 12.98	Post cat Left	250-24018
				w/ Electronic Trans	01.96 -> 12.98	Post cat Right	250-24018
					01.99 -> 12.02	Pre cat Left	250-24012
					01.99 -> 12.02	Pre cat Right	250-24012
					01.99 -> 12.02	Post cat Left	250-24018
					01.99 -> 12.02	Post cat Right	250-24018
<b>VAN SAVANA 2500</b>							
4.3				GVW Over 8500 lbs.	01.96 -> 12.02	Pre cat Left	250-24019
				GVW Over 8500 lbs.	01.96 -> 12.02	Pre cat Right	250-24019
				GVW Over 8500 lbs.	01.96 -> 12.02	Post cat	•250-24018
				GVW Under 8500 lbs.	01.96 -> 12.02	Pre cat Left	250-24012
				GVW Under 8500 lbs.	01.96 -> 12.02	Pre cat Right	250-24012
				01.96 -> 12.02	Post cat	•250-24018	



Model / Liter	Body Code	Engine kW	Engine Code	Application Identifier Engine or Chassis	Year From→ To	Position	Walker Direct Fit	
<b>GMC (cont'd)</b>								
<b>VAN SAVANA 2500 (cont'd)</b>								
4.3				1st Design Exhaust	01.03 -> 12.03	Pre cat Left	250-24267	
				1st Design Exhaust	01.03 -> 12.03	Pre cat Right	250-24267	
				1st Design Exhaust	01.03 -> 12.03	Post cat Left	250-24267	
				1st Design Exhaust	01.03 -> 12.03	Post cat Right	250-24267	
				2nd Design Exhaust	01.03 -> 12.03	Pre cat Left	250-24267	
				2nd Design Exhaust	01.03 -> 12.03	Pre cat Right	250-24339	
				2nd Design Exhaust	01.03 -> 12.03	Post cat Left	250-24267	
				2nd Design Exhaust	01.03 -> 12.03	Post cat Right	250-24339	
					01.04 -> 12.05	Pre cat Left	250-24267	
					01.04 -> 12.05	Pre cat Right	250-24339	
					01.04 -> 12.05	Post cat Left	250-24267	
					01.04 -> 12.05	Post cat Right	250-24339	
	4.8				1st Design Exhaust	01.03 -> 12.03	Pre cat Left	250-24267
					1st Design Exhaust	01.03 -> 12.03	Pre cat Right	250-24267
				1st Design Exhaust	01.03 -> 12.03	Post cat Left	250-24267	
				1st Design Exhaust	01.03 -> 12.03	Post cat Right	250-24267	
				2nd Design Exhaust	01.03 -> 12.03	Pre cat Left	250-24267	
				2nd Design Exhaust	01.03 -> 12.03	Pre cat Right	250-24339	
				2nd Design Exhaust	01.03 -> 12.03	Post cat Left	250-24267	
				2nd Design Exhaust	01.03 -> 12.03	Post cat Right	250-24339	
					01.04 -> 12.07	Pre cat Left	250-24267	
					01.04 -> 12.07	Pre cat Right	250-24339	
					01.04 -> 12.07	Post cat Left	250-24267	
					01.04 -> 12.07	Post cat Right	250-24339	
					01.08 -> 12.08	Pre cat Left	250-24708	
					01.08 -> 12.08	Pre cat Right	250-24708	
				01.08 -> 12.08	Post cat Left	250-24491		
				01.08 -> 12.08	Post cat Right	250-24491		
5.0					01.96 -> 12.02	Pre cat Left	250-24012	
					01.96 -> 12.02	Pre cat Right	250-24012	
					01.96 -> 12.02	Post cat Left	250-24018	
					01.96 -> 12.02	Post cat Right	250-24018	
5.3				1st Design Exhaust	01.03 -> 12.03	Pre cat Left	250-24267	
				1st Design Exhaust	01.03 -> 12.03	Pre cat Right	250-24267	
				1st Design Exhaust	01.03 -> 12.03	Post cat Left	250-24267	
				1st Design Exhaust	01.03 -> 12.03	Post cat Right	250-24267	
				2nd Design Exhaust	01.03 -> 12.03	Pre cat Left	250-24267	
				2nd Design Exhaust	01.03 -> 12.03	Pre cat Right	250-24339	
				2nd Design Exhaust	01.03 -> 12.03	Post cat Left	250-24267	
				2nd Design Exhaust	01.03 -> 12.03	Post cat Right	250-24339	
					01.04 -> 12.05	Pre cat Left	250-24267	
					01.04 -> 12.05	Pre cat Right	250-24339	
					01.04 -> 12.05	Post cat Left	250-24267	
					01.04 -> 12.05	Post cat Right	250-24339	
	5.7				GVW Over 8500 lbs.	01.96 -> 12.02	Pre cat Left	250-24019
					GVW Over 8500 lbs.	01.96 -> 12.02	Pre cat Right	250-24019
				GVW Over 8500 lbs.	01.96 -> 12.02	Post cat Left	250-24018	
				GVW Over 8500 lbs.	01.96 -> 12.02	Post cat Right	250-24018	
				GVW Under 8500 lbs.	01.96 -> 12.02	Pre cat Left	250-24012	
				GVW Under 8500 lbs.	01.96 -> 12.02	Pre cat Right	250-24012	
				GVW Under 8500 lbs.	01.96 -> 12.02	Post cat Left	250-24018	
				GVW Under 8500 lbs.	01.96 -> 12.02	Post cat Right	250-24018	
6.0				1st Design Exhaust	01.03 -> 12.03	Pre cat Left	250-24267	
				1st Design Exhaust	01.03 -> 12.03	Pre cat Right	250-24267	
				1st Design Exhaust	01.03 -> 12.03	Post cat Left	250-24267	
				1st Design Exhaust	01.03 -> 12.03	Post cat Right	250-24267	
				2nd Design Exhaust	01.03 -> 12.03	Pre cat Left	250-24267	
				2nd Design Exhaust	01.03 -> 12.03	Pre cat Right	250-24339	
				2nd Design Exhaust	01.03 -> 12.03	Post cat Left	250-24267	
				2nd Design Exhaust	01.03 -> 12.03	Post cat Right	250-24339	
					01.04 -> 12.07	Pre cat Left	250-24267	
					01.04 -> 12.07	Pre cat Right	250-24339	
					01.04 -> 12.07	Post cat Left	250-24267	
					01.04 -> 12.07	Post cat Right	250-24339	
					01.08 -> 12.08	Pre cat Left	250-24708	
					01.08 -> 12.08	Pre cat Right	250-24708	
				01.08 -> 12.08	Post cat Left	250-24491		
				01.08 -> 12.08	Post cat Right	250-24491		





Model / Liter	Body Code	Engine kW	Engine Code	Application Identifier Engine or Chassis	Year From→To	Position	Walker Direct Fit
<b>GMC (cont'd)</b>							
<b>VAN SAVANA 3500</b>							
4.3					01.97 -> 12.97	Pre cat Left	250-24019
					01.97 -> 12.97	Pre cat Right	250-24019
					01.97 -> 12.97	Post cat Left	250-24018
					01.97 -> 12.97	Post cat Right	250-24018
4.8					01.04 -> 12.07	Pre cat Left	250-24267
					01.04 -> 12.07	Pre cat Right	250-24339
					01.04 -> 12.07	Post cat Left	250-24267
					01.04 -> 12.07	Post cat Right	250-24339
					01.08 -> 12.08	Pre cat Left	250-24708
					01.08 -> 12.08	Pre cat Right	250-24708
					01.08 -> 12.08	Post cat Left	250-24491
					01.08 -> 12.08	Post cat Right	250-24491
5.7					01.96 -> 12.02	Pre cat Left	250-24019
					01.96 -> 12.02	Pre cat Right	250-24019
					01.96 -> 12.02	Post cat Left	250-24018
					01.96 -> 12.02	Post cat Right	250-24018
6.0				1st Design Exhaust	01.03 -> 12.03	Pre cat Left	250-24267
				1st Design Exhaust	01.03 -> 12.03	Pre cat Right	250-24267
				1st Design Exhaust	01.03 -> 12.03	Post cat Left	250-24267
				1st Design Exhaust	01.03 -> 12.03	Post cat Right	250-24267
				2nd Design Exhaust	01.03 -> 12.03	Pre cat Left	250-24267
				2nd Design Exhaust	01.03 -> 12.03	Pre cat Right	250-24339
				2nd Design Exhaust	01.03 -> 12.03	Post cat Left	250-24267
				2nd Design Exhaust	01.03 -> 12.03	Post cat Right	250-24339
					01.04 -> 12.07	Pre cat Left	250-24267
					01.04 -> 12.07	Pre cat Right	250-24339
					01.04 -> 12.07	Post cat Left	250-24267
					01.04 -> 12.07	Post cat Right	250-24339
				VIN # U	01.08 -> 12.08	Pre cat Left	250-24708
				VIN # U	01.08 -> 12.08	Pre cat Right	250-24708
				VIN # U	01.08 -> 12.08	Post cat Left	250-24491
				VIN # U	01.08 -> 12.08	Post cat Right	250-24491
				VIN # K; Exc. Cut-away chassis	01.08 -> 12.08	Pre cat Left	250-24708
				VIN # K; Exc. Cut-away chassis	01.08 -> 12.08	Pre cat Right	250-24708
				VIN # K; Exc. Cut-away chassis	01.08 -> 12.08	Post cat Left	250-24491
				VIN # K; Exc. Cut-away chassis	01.08 -> 12.08	Post cat Right	250-24491
				VIN # K; Cut-away chassis	01.08 -> 12.08	Pre cat Left	250-24492
				VIN # K; Cut-away chassis	01.08 -> 12.08	Pre cat Right	250-24492
				VIN # K; Cut-away chassis	01.08 -> 12.08	Post cat Left	250-24491
				VIN # K; Cut-away chassis	01.08 -> 12.08	Post cat Right	250-24491
7.4					01.96 -> 12.00	Pre cat Left	250-24019
					01.96 -> 12.02	Pre cat Right	250-24019
					01.96 -> 12.02	Post cat Left	250-24018
					01.96 -> 12.00	Post cat Right	250-24018
8.1					01.01 -> 12.02	Pre cat Left	250-24248
					01.01 -> 12.02	Pre cat Right	250-24248
					01.01 -> 12.02	Post cat Left	250-24248
					01.01 -> 12.02	Post cat Right	250-24248
<b>YUKON</b>							
4.8					01.00 -> 12.02	Pre cat Left	250-24012
					01.00 -> 12.02	Pre cat Right	250-24012
					01.00 -> 12.02	Post cat Left	250-24018
					01.00 -> 12.02	Post cat Right	250-24018
					01.01 -> 12.02	Pre cat Left	250-24012
					01.01 -> 12.02	Pre cat Right	250-24012
					01.01 -> 12.02	Post cat Left	250-24018
					01.01 -> 12.02	Post cat Right	250-24018
					01.03 -> 12.03	Pre cat Left	250-24267
					01.03 -> 12.03	Pre cat Right	250-24267
					01.03 -> 12.03	Post cat Left	250-24267
					01.03 -> 12.03	Post cat Right	250-24267
					01.04 -> 12.04	Pre cat Left	250-24491
					01.04 -> 12.04	Pre cat Right	250-24491
					01.04 -> 12.04	Post cat Left	250-24267
					01.04 -> 12.04	Post cat Right	250-24267
					01.05 -> 12.05	Pre cat Left	250-24267
					01.05 -> 12.05	Pre cat Right	250-24267
					01.05 -> 12.05	Post cat Left	250-24267
					01.05 -> 12.05	Post cat Right	250-24267



Model / Liter	Body Code	Engine kW	Engine Code	Application Identifier Engine or Chassis	Year From→ To	Position	Walker Direct Fit
<b>GMC (cont'd)</b>							
<b>YUKON (cont'd)</b>							
4.8					01.06 -> 12.07	Pre cat Left	250-24703
					01.06 -> 12.07	Pre cat Right	250-24703
					01.06 -> 12.07	Post cat Left	250-24355
5.3					01.06 -> 12.07	Post cat Right	250-24355
					01.00 -> 12.00	Pre cat Left	250-24012
					01.00 -> 12.00	Pre cat Right	250-24012
					01.00 -> 12.00	Post cat Left	250-24018
					01.00 -> 12.00	Post cat Right	250-24018
					01.01 -> 12.02	Pre cat Left	250-24012
					01.01 -> 12.02	Pre cat Right	250-24012
					01.01 -> 12.02	Post cat Left	250-24018
					01.01 -> 12.02	Post cat Right	250-24018
					01.01 -> 12.02	Pre cat Left	250-24269
					01.01 -> 12.02	Pre cat Right	250-24269
					01.01 -> 12.02	Post cat Left	250-24269
					01.01 -> 12.02	Post cat Right	250-24269
					01.03 -> 12.05	Pre cat Left	250-24470
					01.03 -> 12.05	Pre cat Right	250-24470
					01.03 -> 12.05	Post cat Left	250-24470
					01.03 -> 12.05	Post cat Right	250-24470
					01.06 -> 12.06	Pre cat Left	250-24703
				01.06 -> 12.06	Pre cat Right	250-24703	
				01.06 -> 12.06	Post cat Left	250-24708	
				01.06 -> 12.06	Post cat Right	250-24708	
			Flex Fuel Vehicle	01.06 -> 12.06	Pre cat Left	250-24703	
			Flex Fuel Vehicle	01.06 -> 12.06	Pre cat Right	250-24703	
			Flex Fuel Vehicle	01.06 -> 12.06	Post cat Left	250-24708	
			Flex Fuel Vehicle	01.06 -> 12.06	Post cat Right	250-24708	
				01.06 -> 12.06	Pre cat Left	250-24703	
				01.06 -> 12.06	Pre cat Right	250-24703	
				01.06 -> 12.06	Post cat Left	250-24708	
				01.06 -> 12.06	Post cat Right	250-24708	
		LY5		01.07 -> 12.07	Pre cat Left	250-24703	
		LY5		01.07 -> 12.07	Pre cat Right	250-24703	
		LY5		01.07 -> 12.07	Post cat Left	250-24355	
		LY5		01.07 -> 12.07	Post cat Right	250-24355	
		LY5		01.08 -> 12.08	Pre cat Left	250-24470	
		LY5		01.08 -> 12.08	Pre cat Right	250-24470	
		LY5		01.08 -> 12.08	Post cat Left	250-24736	
		LY5		01.08 -> 12.08	Post cat Right	250-24736	
5.7				OEM # 25166816	01.95 -> 12.95	Pre cat	250-21001
				OEM # 25312185	01.95 -> 12.95	Pre cat	250-23011
				A/T; w/o Electronic Trans	01.96 -> 12.98	Pre cat Left	250-24019
				A/T; w/o Electronic Trans	01.96 -> 12.98	Pre cat Right	250-24019
				A/T; w/o Electronic Trans	01.96 -> 12.98	Post cat Left	250-24018
				A/T; w/o Electronic Trans	01.96 -> 12.98	Post cat Right	250-24018
				A/T; w/ Electronic Trans	01.96 -> 12.98	Pre cat Left	250-24012
				A/T; w/ Electronic Trans	01.96 -> 12.98	Pre cat Right	250-24012
				A/T; w/ Electronic Trans	01.96 -> 12.98	Post cat Left	250-24018
				A/T; w/ Electronic Trans	01.96 -> 12.98	Post cat Right	250-24018
				M/T	01.96 -> 12.98	Pre cat Left	250-24019
				M/T	01.96 -> 12.98	Pre cat Right	250-24019
				M/T	01.96 -> 12.98	Post cat Left	250-24018
				M/T	01.96 -> 12.98	Post cat Right	250-24018
				A/T; w/o Electronic Trans	01.99 -> 12.99	Pre cat Left	250-24019
				A/T; w/o Electronic Trans	01.99 -> 12.99	Pre cat Right	250-24019
				A/T; w/o Electronic Trans	01.99 -> 12.99	Post cat Left	250-24018
				A/T; w/o Electronic Trans	01.99 -> 12.99	Post cat Right	250-24018
				A/T; w/ Electronic Trans	01.99 -> 12.99	Pre cat Left	250-24012
				A/T; w/ Electronic Trans	01.99 -> 12.99	Pre cat Right	250-24012
			A/T; w/ Electronic Trans	01.99 -> 12.99	Post cat Left	250-24018	
			A/T; w/ Electronic Trans	01.99 -> 12.99	Post cat Right	250-24018	
			M/T	01.99 -> 12.99	Pre cat Left	250-24019	
			M/T	01.99 -> 12.99	Pre cat Right	250-24019	
			M/T	01.99 -> 12.99	Post cat Left	250-24018	
			M/T	01.99 -> 12.99	Post cat Right	250-24018	
6.0 HYBRID			LFA		01.08 -> 12.08	Pre cat Left	250-24470
			LFA		01.08 -> 12.08	Pre cat Right	250-24470
			LFA		01.08 -> 12.08	Post cat Left	250-24736
			LFA		01.08 -> 12.08	Post cat Right	250-24736



Model / Liter	Body Code	Engine kW	Engine Code	Application Identifier Engine or Chassis	Year From→To	Position	Walker Direct Fit
<b>GMC (cont'd)</b>							
<b>YUKON DENALI</b>							
5.7				A/T; w/o Electronic Trans	01.99 -> 12.00	Pre cat Left	250-24019
				A/T; w/o Electronic Trans	01.99 -> 12.00	Pre cat Right	250-24019
				A/T; w/o Electronic Trans	01.99 -> 12.00	Post cat Left	250-24018
				A/T; w/o Electronic Trans	01.99 -> 12.00	Post cat Right	250-24018
				A/T; w/ Electronic Trans	01.99 -> 12.00	Pre cat Left	250-24012
				A/T; w/ Electronic Trans	01.99 -> 12.00	Pre cat Right	250-24012
				A/T; w/ Electronic Trans	01.99 -> 12.00	Post cat Left	250-24018
				A/T; w/ Electronic Trans	01.99 -> 12.00	Post cat Right	250-24018
				M/T	01.99 -> 12.00	Pre cat Left	250-24019
				M/T	01.99 -> 12.00	Pre cat Right	250-24019
				M/T	01.99 -> 12.00	Post cat Left	250-24018
6.0				M/T	01.99 -> 12.00	Post cat Right	250-24018
					01.01 -> 12.01	Pre cat Left	250-24248
					01.01 -> 12.01	Pre cat Right	250-24248
					01.01 -> 12.01	Post cat Left	250-24202
					01.01 -> 12.01	Post cat Right	250-24018
					01.02 -> 12.02	Pre cat Left	250-24248
					01.02 -> 12.02	Pre cat Right	250-24248
					01.02 -> 12.02	Post cat Left	250-24488
					01.02 -> 12.02	Post cat Right	250-24267
					01.03 -> 12.04	Pre cat Left	250-24491
					01.03 -> 12.04	Pre cat Right	250-24491
					01.03 -> 12.04	Post cat Left	250-24267
					01.03 -> 12.04	Post cat Right	250-24267
					01.05 -> 12.06	Pre cat Left	250-24491
					01.05 -> 12.06	Pre cat Right	250-24491
					01.05 -> 12.06	Post cat Left	250-24267
					01.05 -> 12.06	Post cat Right	250-24267
	L76			01.07 -> 12.07	Pre cat Left	250-24703	
	L76			01.07 -> 12.07	Pre cat Right	250-24703	
	L76			01.07 -> 12.07	Post cat Left	250-24355	
	L76			01.07 -> 12.07	Post cat Right	250-24355	
	L76			01.08 -> 12.08	Pre cat Left	250-24470	
	L76			01.08 -> 12.08	Pre cat Right	250-24470	
	L76			01.08 -> 12.08	Post cat Left	250-24736	
	L76			01.08 -> 12.08	Post cat Right	250-24736	
6.2	L92			01.07 -> 12.07	Pre cat Left	250-24703	
	L92			01.07 -> 12.07	Pre cat Right	250-24703	
	L92			01.07 -> 12.07	Post cat Left	250-24355	
	L92			01.07 -> 12.07	Post cat Right	250-24355	
	L92			01.08 -> 12.08	Pre cat Left	250-24470	
	L92			01.08 -> 12.08	Pre cat Right	250-24470	
	L92			01.08 -> 12.08	Post cat Left	250-24736	
	L92			01.08 -> 12.08	Post cat Right	250-24736	
<b>YUKON DENALI XL</b>							
6.0					01.01 -> 12.01	Pre cat Left	250-24248
					01.01 -> 12.01	Pre cat Right	250-24248
					01.01 -> 12.01	Post cat Left	250-24202
					01.01 -> 12.01	Post cat Right	250-24018
					01.02 -> 12.02	Pre cat Left	250-24248
					01.02 -> 12.02	Pre cat Right	250-24248
					01.02 -> 12.02	Post cat Left	250-24018
					01.02 -> 12.02	Post cat Right	250-24018
					01.03 -> 12.03	Pre cat Left	250-24491
					01.03 -> 12.03	Pre cat Right	250-24491
					01.03 -> 12.03	Post cat Left	250-24267
					01.03 -> 12.03	Post cat Right	250-24267
					01.04 -> 12.06	Pre cat Left	250-24491
					01.04 -> 12.06	Pre cat Right	250-24491
				01.04 -> 12.06	Post cat Left	250-24267	
				01.04 -> 12.06	Post cat Right	250-24267	
<b>YUKON XL 1500 DENALI</b>							
6.2	L92				01.07 -> 12.07	Pre cat Left	250-24703
	L92				01.07 -> 12.07	Pre cat Right	250-24703
	L92				01.07 -> 12.07	Post cat Left	250-24355
	L92				01.07 -> 12.07	Post cat Right	250-24355



Model / Liter	Body Code	Engine kW	Engine Code	Application Identifier Engine or Chassis	Year From→ To	Position	Walker Direct Fit
<b>GMC (cont'd)</b>							
<b>YUKON XL 1500 DENALI (cont'd)</b>							
6.2			L92		01.08 -> 12.08	Pre cat Left	250-24470
			L92		01.08 -> 12.08	Pre cat Right	250-24470
			L92		01.08 -> 12.08	Post cat Left	250-24736
			L92		01.08 -> 12.08	Post cat Right	250-24736
<b>YUKON XL 2500</b>							
6.0					01.00 -> 12.00	Pre cat Left	250-24019
					01.00 -> 12.00	Pre cat Right	250-24019
					01.00 -> 12.00	Post cat Left	250-24202
					01.00 -> 12.00	Post cat Right	250-24018
					01.01 -> 12.01	Pre cat Left	250-24248
					01.01 -> 12.01	Pre cat Right	250-24248
					01.01 -> 12.01	Post cat Left	250-24202
					01.01 -> 12.01	Post cat Right	250-24018
					01.02 -> 12.02	Pre cat Left	250-24248
					01.02 -> 12.02	Pre cat Right	250-24248
					01.02 -> 12.02	Post cat Left	250-24488
					01.02 -> 12.02	Post cat Right	250-24267
					01.03 -> 12.03	Pre cat Left	250-24491
					01.03 -> 12.03	Pre cat Right	250-24491
					01.03 -> 12.03	Post cat Left	250-24267
					01.03 -> 12.03	Post cat Right	250-24267
					01.04 -> 12.06	Pre cat Left	250-24491
					01.04 -> 12.06	Pre cat Right	250-24491
					01.04 -> 12.06	Post cat Left	250-24488
					01.04 -> 12.06	Post cat Right	250-24267
					01.07 -> 12.07	Pre cat Left	250-24703
					01.07 -> 12.07	Pre cat Right	250-24703
					01.07 -> 12.07	Post cat Left	250-24355
					01.07 -> 12.07	Post cat Right	250-24355
					01.08 -> 12.08	Pre cat Left	250-24470
					01.08 -> 12.08	Pre cat Right	250-24470
					01.08 -> 12.08	Post cat Left	250-24736
					01.08 -> 12.08	Post cat Right	250-24736
8.1					01.01 -> 12.02	Pre cat Left	250-24248
					01.01 -> 12.02	Pre cat Right	250-24248
					01.01 -> 12.02	Post cat Left	250-24274
					01.01 -> 12.02	Post cat Right	250-24248
					01.03 -> 12.06	Pre cat Left	250-24491
					01.03 -> 12.06	Pre cat Right	250-24491
					01.03 -> 12.06	Post cat Left	250-24492
					01.03 -> 12.06	Post cat Right	250-24491
<b>HONDA</b>							
<b>ACCORD</b>							
1.6i	CG	85	D16B6		10.98 -> 12.02	Pre cat	250-24766
			D16B6		09.99 -> 12.02	Post cat	250-24758
1.8i	CG	100	F18B2		10.98 -> 09.99		250-24011
			F18B2		09.99 -> 12.02	Pre cat	250-24473
			F18B2		09.99 -> 12.02	Post cat	250-24343
1.9i	CE7	85	F18A3		02.96 -> 10.98		250-24621
2.0	CL7	114	K20A		02.03 ->	Pre cat	250-54022
			K20A		02.03 ->	Post cat	250-24476
2.0i	CC7	85	F20Z2		03.93 -> 01.96		250-24621
	CG	108	F20B6		10.98 -> 01.01	Pre cat	250-54005
			F20B6		10.98 -> 01.01	Post cat	250-24343
2.0i LS	CE8	96	F20Z1		02.96 -> 10.98		250-24621
2.0i S	CC7	96	F20Z1		03.93 -> 01.96		250-24621
2.2i VTEC	CE9	110	F22Z2		02.96 -> 10.98		250-24011
2.2 Type-R	CG	156	H22A7		09.99 -> 12.02	Pre cat	250-24473
			H22A7		02.99 -> 12.02	Post cat	250-24343
2.3	CG	113	F23Z5		01.01 -> 12.02	Pre cat	250-24473
			F23Z5		01.01 -> 12.02	Post cat	250-24343
2.4	CL9	140	K24A		02.03 ->	Pre cat	250-54022
			K24A		02.03 ->	Post cat	250-24476
<b>ACCORD AERODECK</b>							
2.0i LS 16V	CE2	100	F20B3		09.93 -> 02.98		250-24011
2.2i ES	CE1	110	F22B5		09.93 -> 02.98		250-24011
<b>ACCORD COUPE</b>							
2.0	DC9	100	F20B3		09.93 -> 12.97		250-24011





Model / Liter	Body Code	Engine kW	Engine Code	Application Identifier Engine or Chassis	Year From→To	Position	Walker Direct Fit
<b>HONDA (cont'd)</b>							
<b>ACCORD COUPE (cont'd)</b>							
2.0i 16V	CG	108	F20B5		02.98 -> 09.99		250-24011
			F20B5		09.99 -> 06.02	Pre cat	250-24578
			F20B5		09.99 -> 06.02	Post cat	250-24601
2.2 i ES	CD7, CD9	110	F22B5		09.93 -> 02.98		250-24011
3.0 V6 24V	CG	147	F20B5		02.98 -> 09.00		250-24099
			J30A1		09.00 -> 06.02	Pre cat	250-24308
			J30A1		07.98 -> 06.02	Post cat	250-24601
<b>ACCORD HATCHBACK</b>							
1.8 i	CH6	100	D16B6, D16B7		12.99 -> 12.02	Pre cat	250-24766
			D16B6, D16B7		12.99 -> 12.02	Post cat	250-24758
	CH6	100	F18B2, F18B4		12.99 -> 12.02	Pre cat	250-24473
			F18B2, F18B4		12.99 -> 12.02	Post cat	250-24343
2.0	CH7	108	F20B6		12.99 -> 12.02	Pre cat	250-54055
			F20B6		12.99 -> 12.02	Post cat	250-24343
2.3	CL4	113	F23Z5		11.00 -> 12.02	Pre cat	250-24473
			F23Z5		11.00 -> 12.02	Post cat	250-24343
<b>ACCORD TOURER</b>							
2.0	CM1	114	K20A		04.03 ->	Pre cat	250-54022
			K20A		04.03 ->	Post cat	250-24476
2.4	CM2	140	K24A		04.03 ->	Pre cat	250-54022
			K24A		04.03 ->	Post cat	250-24476
<b>CIVIC</b>							
1.3 IMA		61	LDA1	M/T, Integrated Motor Assist	01.04 -> 09.05	Post cat	250-24446
1.3	FD_	70	LDA2		01.06 ->	Pre cat	250-54040
			LDA2		01.06 ->	Post cat	250-24798
1.4	ES4	66	D14Z5		09.01 -> 09.05	Pre cat	250-24446
			D14Z5		09.01 -> 09.05	Post cat	250-24121
1.4 i	EJ9	66	D14A4		11.95 -> 02.01		250-21031
1.5 i	EK3	84	D15Z6		11.95 -> 02.01		250-21031
1.5 i 16V	EG8	69	D15Z1	w/ Cat.	10.91 -> 09.95		250-25055
1.6		81	D16W7		09.01 -> 09.05	Pre cat	250-24446
			D16W7		09.01 -> 09.05	Post cat	250-24121
1.6 16V Vtec	EH9	92	D16Z6		10.91 -> 09.95	Pre cat	250-24099
			D16Z6		10.91 -> 09.95	Pre cat	250-24099
						Left	
						Right	
1.6 i Vtec	EJ9, EK3/4	92	D16Y8		11.95 -> 02.01		250-24099
1.6 VTI	EG9	118	B16A2		10.91 -> 09.95		250-24011
	EK4	118	B16A2		11.95 -> 02.01		250-24011
1.8	FD_	103	R18A1		09.05 ->	Pre cat	250-54041
			R18A1		01.06 ->	Post cat	250-24786
<b>CIVIC AERODECK</b>							
1.4 16V	MB8	55	D14A7		04.98 -> 09.98	Pre cat	250-24099
			D14A7		04.98 -> 09.98	Pre cat	250-24099
			D14A7		09.98 -> 02.01		250-24099
	MB8	66	D14A8		04.98 -> 09.98	Pre cat	250-24099
			D14A8		04.98 -> 09.98	Pre cat	250-24099
			D14A8		09.98 -> 02.01		250-24099
1.5 16V	MB9	84	D15Z8		04.98 -> 02.01		250-24099
1.6 16V	MC1	85	D16B2, D16W3, D16W4		04.98 -> 02.01		250-24099
1.8 16V	MC2	124	B18C4		04.98 -> 09.98		250-24473
			B18C4		09.98 -> 02.01		250-24011
<b>CIVIC COUPE</b>							
1.5 i LSi	EJ2	74	D15B7		01.94 -> 11.95		250-24099
1.6 i	EJ6, EJ8	77	D16Y7		03.96 -> 03.00		250-24099
1.6 i Vtec	EJ1	92	D16Z9		01.94 -> 09.95		250-24099
	EJ6, EJ8	92	D16Y8		03.96 -> 03.00		250-24099
1.7 i	EM	88	D17A8		05.01 -> 12.05	Pre cat	250-24429
			D17A8		05.01 -> 12.05	Post cat	250-24121
1.7 i VTEC	EM	92	D17A9		05.01 -> 12.05	Pre cat	250-24429
			D17A9		05.01 -> 12.05	Post cat	250-24121
<b>CIVIC FASTBACK</b>							
1.4 i	MA8	55	D14A5		09.95 -> 06.96		250-24099
		66	D14A2		01.95 -> 06.96		250-24099
1.4 16V	MB2	55	D14A7		01.97 -> 09.98		250-24099
		66	D14A8		01.97 -> 09.98		250-24099
1.5 16V	MB3	84	D15Z8		01.97 -> 02.01		250-24099
1.6 i	MB1	83	D16Y3		01.95 -> 01.97		250-24099
1.6 16V	MB4	85	D16B2		01.97 -> 09.98		250-24099
1.6 i Vtec	MB1	93	D16Y2		07.95 -> 06.96		250-24099
1.6 VTI	MB	118	B16A-155		01.97 -> 02.01		250-24011



Model / Liter	Body Code	Engine kW	Engine Code	Application Identifier Engine or Chassis	Year From→To	Position	Walker Direct Fit
<b>HONDA (cont'd)</b>							
<b>CIVIC FASTBACK (cont'd)</b>							
1.8 16V	MB6	124	D18C4		01.97 -> 08.98		250-24473
		124	D18C4		09.98 -> 02.01		250-24011
<b>CIVIC HATCHBACK</b>							
1.3 16V	EG3	55	D13B2		10.91 -> 09.95		250-21000
1.4	FD_	61	L13A7		01.06 ->	Pre cat	250-54041
			L13A7		01.06 ->	Post cat	250-24786
1.4 i	EJ9	55	D14Z1/D14A3	To Ch. No. 1211414	11.95 -> 02.01	Pre cat	250-21031
1.4 iS	EJ9	66	D14A4	To Ch. No. 1211414	11.95 -> 10.98	Pre cat	250-21031
	EP1	66	D14Z5, D14Z6		04.01 -> 09.05	Pre cat	250-24429
			D14Z5, D14Z6		04.01 -> 09.05	Post cat	250-24121
1.5 i 16V	EG	66	D15B2		10.91 -> 09.95	Pre cat	250-21000
	EG4	69	D15Z1	w/ Cat.	10.91 -> 09.95		250-25055
1.5 i	EK3	84	D15Z6		11.95 -> 02.01		250-21031
1.6 i	EU_ EP_	81	D16V1, D16W7		04.01 -> 09.05	Pre cat	250-24429
			D16V1, D16W7		04.01 -> 09.05	Post cat	250-24121
	EK1	84	D16Y5		11.95 -> 02.01	Pre cat	250-24099
1.6 16V Vtec	EG5	92	D16Z6		10.91 -> 09.95	Pre cat	250-24099
			D16Z6		10.91 -> 09.95	Pre cat	250-24099
1.6 VTI 16V	EG6	118	B16A2		10.91 -> 09.95		250-24011
1.6 VTI	EK4	118	B16A2		11.95 -> 02.01		250-24011
1.8	FD_	103	R18A2		01.06 ->	Pre cat	250-54041
			R18A1		01.06 ->	Post cat	250-24786
2.0 i Sport	EU_ EP_	118	K20A3	RH drive Only	01.04 -> 09.04	Pre cat	250-54013
			K20A3	RH drive Only	01.04 -> 09.04	Post cat	250-24763
			K20A3		01.04 -> 09.05	Pre cat	250-54023
			K20A3		01.04 -> 09.05	Post cat	250-24308
2.0 Type-R	EU_ EP_	147	K20A2		09.01 -> 09.05	Pre cat	250-24473
			K20A2		09.01 -> 09.05	Post cat	250-24756
<b>CIVIC SALOON</b>							
1.6 i 16V 4WD	EE4	81	D16A6		01.88 -> 02.95	Pre cat	250-21009
			D16A6		01.88 -> 02.95	Pre cat	250-21009
<b>CR-V</b>							
2.0	RD_	110	K20A4		09.04 -> 09.06	Pre cat	250-54023
			K20A4		09.04 -> 09.06	Post cat	250-24398
			K20A4		07.02 -> 09.04	Pre cat	250-24429
			K20A4		07.02 -> 09.04	Post cat	250-24446
2.0 16V	RD_	94	B20B		10.95 -> 01.99		250-24011
		108	B_		01.99 -> 02.02		250-24011
2.0 i-VTEC		110	R20A2		01.07 ->	Pre cat	250-54041
			R20A2		01.07 ->	Post cat	250-24786
<b>CRX II</b>							
1.6 ESI	EH6	125	D16Z6		03.92 -> 06.95		250-24099
1.6 i VTI	EG2	160	B16A2	w/ Cat.	03.92 -> 09.95		250-24011
			B16A2		09.95 -> 12.98		250-24099
<b>JAZZ</b>							
1.2	GD	78	L12A1		03.02 -> 09.02	Pre cat	250-24761
			L12A1		03.02 -> 09.02	Post cat	250-24759
			L12A1		09.02 ->	Pre cat	250-24760
			L12A1		09.02 ->	Post cat	250-24757
1.4	GD	83	L13A1		03.02 -> 09.02	Pre cat	250-24761
			L13A1		03.02 -> 09.02	Post cat	250-24759
			L13A1		09.02 ->	Pre cat	250-24760
			L13A1		09.02 ->	Post cat	250-24757
<b>LEGEND</b>							
3.2 i 24V	KA7	205	C32A2		01.91 -> 02.96	Pre cat	250-24093
			C32A2		01.91 -> 02.96	Pre cat	250-24093
3.5 i 24V	KA9	205	C35A2		03.96 -> 06.97	Pre cat	250-24093
			C35A2		03.96 -> 06.97	Pre cat	250-24093
3.5 V6 AWD	KA9	295	J35		09.06 ->	Pre cat	250-25001
			J35		09.06 ->	Pre cat	250-25001
			J35		09.06 ->	Post cat	250-24346
			J35		09.06 ->	Post cat	250-24391
<b>LEGEND I Coupe</b>							
3.2 i 24V	KA8	205	C32A2		01.91 -> 02.96	Pre cat	250-24093
			C32A2		01.91 -> 02.96	Pre cat	250-24093
<b>ODYSSEY</b>							
2.2			F22B6		01.96 -> 12.97	Pre cat	250-24011
			F22B6		01.96 -> 12.97	Post cat	250-24121



Model / Liter	Body Code	Engine kW	Engine Code	Application Identifier Engine or Chassis	Year From→To	Position	Walker Direct Fit
<b>HONDA (cont'd)</b>							
<b>ODYSSEY (cont'd)</b>							
2.3			F23A7		01.98 -> 12.98	Pre cat	250-24011
			F23A7		01.98 -> 12.98	Post cat	250-24121
3.5			J35A1		01.99 -> 12.00	Pre cat	250-24099
			J35A1		01.99 -> 12.00	Post cat	250-24620
			J35A1		01.01 -> 12.01	Pre cat	250-24308
			J35A1		01.01 -> 12.01	Post cat	250-24620
			J35A4		01.02 -> 12.04	Pre cat	250-24346
			J35A4		01.02 -> 12.04	Post cat	250-24343
			J35A6		01.05 -> 12.06	Pre cat	250-25001
			J35A6		01.05 -> 12.06	Pre cat	250-25001
			J35A6		01.05 -> 12.06	Post cat	250-24346
			J35A6		01.05 -> 12.06	Post cat	250-24391
			J35A6		01.07 -> 12.08	Pre cat	250-25056
			J35A6		01.07 -> 12.08	Pre cat	250-25056
			J35A6		01.07 -> 12.08	Post cat	250-24346
			J35A6		01.07 -> 12.08	Post cat	250-24391
			J35A7		01.05 -> 12.06	Pre cat	250-25001
			J35A7		01.05 -> 12.06	Pre cat	250-25001
			J35A7		01.05 -> 12.07	Post cat	250-24346
			J35A7		01.05 -> 12.07	Post cat	250-24391
			J35A7		01.07 -> 12.08	Pre cat	250-25056
			J35A7		01.07 -> 12.08	Pre cat	250-25056
			J35A7		01.08 -> 12.08	Post cat	250-24785
			J35A7		01.08 -> 12.08	Post cat	250-24785
<b>PILOT</b>							
3.5			J35A4		01.03 -> 12.03	Pre cat	250-24346
			J35A4		01.03 -> 12.03	Pre cat	250-24346
			J35A4		01.03 -> 12.03	Post cat	250-24601
			J35A4		01.03 -> 12.03	Post cat	250-24601
			J35A4		01.04 -> 12.04	Pre cat	250-24346
			J35A4		01.04 -> 12.04	Pre cat	250-24346
			J35A4		01.04 -> 12.04	Post cat	250-24601
			J35A4		01.04 -> 12.04	Post cat	250-24601
			J35A6		01.05 -> 12.05	Pre cat	250-25001
			J35A6		01.05 -> 12.05	Pre cat	250-25001
			J35A6		01.05 -> 12.05	Post cat	250-24346
			J35A6		01.05 -> 12.05	Post cat	250-24391
			J35A9		01.06 -> 12.08	Pre cat	250-25001
			J35A9		01.06 -> 12.08	Pre cat	250-25001
			J35A9		01.06 -> 12.08	Post cat	250-24346
			J35A9		01.06 -> 12.08	Post cat	250-24391
			J35Z1		01.06 -> 12.08	Pre cat	250-25001
			J35Z1		01.06 -> 12.08	Pre cat	250-25001
			J35Z1		01.06 -> 12.08	Post cat	250-24346
			J35Z1		01.06 -> 12.08	Post cat	250-24391
<b>S2000</b>							
2.0	AP	177	F20C VTEC		06.99 -> 09.05		250-24784
	AP	177	F20C VTEC		09.05 ->	Pre cat	250-54023
			F20C VTEC		09.05 ->	Post cat	250-24764
			F20C1		01.00 -> 12.03	Pre cat	250-24784
			F20C1		01.00 -> 12.03	Post cat	250-24121
2.2			F22C1		01.04 -> 12.05	Pre cat	250-24391
			F22C1		01.04 -> 12.05	Post cat	250-24121
			F22C1		01.06 -> 12.08	Pre cat	250-54023
			F22C1		01.06 -> 12.08	Post cat	250-24764
<b>HUMMER</b>							
<b>H2</b>							
6.0					01.03 -> 12.06	Pre cat	250-24491
					01.03 -> 12.06	Pre cat	250-24491
					01.03 -> 12.06	Post cat	250-24267
					01.03 -> 12.06	Post cat	250-24267
					01.07 -> 12.07	Pre cat	250-24703
					01.07 -> 12.07	Pre cat	250-24703
					01.07 -> 12.07	Post cat	250-24355
					01.07 -> 12.07	Post cat	250-24355



Model / Liter	Body Code	kW	Engine Code	Application Identifier Engine or Chassis	Year From→ To	Position	Walker Direct Fit
<b>HUMMER</b>							
<b>H2</b>							
6.2			L92		01.08 -> 12.08	Pre cat Left	250-24703
			L92		01.08 -> 12.08	Pre cat Right	250-24703
			L92		01.08 -> 12.08	Post cat Left	250-24704
			L92		01.08 -> 12.08	Post cat Right	250-24704
<b>H3</b>							
3.5					01.06 -> 12.06	Pre cat	250-24698
					01.06 -> 12.06	Post cat	250-24736
3.7					01.07 -> 12.08	Pre cat	250-24698
					01.07 -> 12.08	Post cat	250-24708
5.3	ALPHA		LH8		01.08 -> 12.08	Pre cat Left	250-24703
			LH8		01.08 -> 12.08	Pre cat Right	250-24703
			LH8		01.08 -> 12.08	Post cat Left	250-24491
			LH8		01.08 -> 12.08	Post cat Right	250-24491
<b>HYUNDAI</b>							
<b>ACCENT</b>							
1.3	X-3	44	G4EH62		10.94 -> 02.97		250-23129
			G4EH		02.97 -> 10.99		250-23084
			G4EH		10.99 -> 01.00	Pre cat	250-24349
			G4EH		10.99 -> 01.00	Post cat	250-24349
		55	G4EH		10.94 -> 02.97		250-23129
			G4EH		02.97 -> 09.99		250-23084
	LC	55	G4EH		01.00 -> 01.03	Pre cat	250-24349
			G4EH		01.00 -> 01.03	Post cat	250-24349
	LC	61	G4EH		01.00 -> 01.03	Pre cat	250-24349
			G4EH		01.00 -> 01.03	Post cat	250-24349
	LC	62	G4EA,G4ED		02.03 ->	Pre cat	250-24349
			G4EA,G4ED		02.03 ->	Post cat	250-24349
	LC	63	G4EH		01.00 -> 01.03	Pre cat	250-24349
			G4EH		01.00 -> 01.03	Post cat	250-24349
1.3 i 12V	X-3	62	G4EH		10.94 -> 02.97		250-23129
			G4EH		02.97 -> 09.99		250-23084
1.4 GL	MC	71	G4EE		03.06 ->	Pre cat	250-24349
			G4EE		03.06 ->	Post cat	250-24349
1.5	LC	66	G4EK		01.00 -> 01.03	Pre cat	250-24349
			G4EK		01.00 -> 01.03	Post cat	250-24349
		75	G4FK		09.00 -> 01.03	Pre cat	250-24349
			G4FK		09.00 -> 01.03	Post cat	250-24349
1.5 CRDi GLS	MC	81	D3-EA81		12.05 ->		250-25034
1.5 i 12V	X-3	65	G4EK		10.94 -> 02.97		250-23129
			G4EK		02.97 -> 09.99		250-23084
1.5 i 16V	X-3	73	G4EK		12.95 -> 02.97		250-23129
			G4FK		05.96 -> 12.96		250-24584
			G4FK		12.96 -> 08.97		250-24593
			G4EK, G4FK		08.97 -> 09.99		250-23084
1.6	LC	77	G4ED		02.03 ->	Pre cat	250-24349
			G4ED		02.03 ->	Post cat	250-24349
1.6 GLS	MC	82	G4EB		12.05 ->	Pre cat	250-24349
			G4EB		12.05 ->	Post cat	250-24349
<b>ACCENT Saloon</b>							
1.3	X-3	44	G4EH		10.94 -> 02.97		250-23129
			G4EH		02.97 -> 09.99		250-23084
	X-3	55	G4EH		10.94 -> 02.97		250-23129
			G4EH		02.97 -> 09.99		250-23084
	LC	55	G4EH		01.00 -> 01.03	Pre cat	250-24349
			G4EH		01.00 -> 01.03	Post cat	250-24349
	LC	63	G4EH		01.00 -> 01.03	Pre cat	250-24349
			G4EH		01.00 -> 01.03	Post cat	250-24349
1.3 i 12V	X-3	62	G4EH		10.94 -> 02.97		250-23129
			G4EH		02.97 -> 09.99		250-23084
1.4 GL	MC	71	G4EE		03.06 ->	Pre cat	250-24349
			G4EE		03.06 ->	Post cat	250-24349
1.5	LC	66	G4EK, G4FK		01.00 -> 01.03	Pre cat	250-24349
			G4EK, G4FK		01.00 -> 01.03	Post cat	250-24349
1.5 i 12V	X-3	65	G4EK		10.94 -> 02.97		250-23129
			G4EK		02.97 -> 09.99		250-23084





Model / Liter	Body Code	Engine kW	Engine Code	Application Identifier Engine or Chassis	Year From→To	Position	Walker Direct Fit
<b>HYUNDAI (cont'd)</b>							
<b>ACCENT Saloon (cont'd)</b>							
1.5 i 16V	X-3	73	G4EK		10.95 -> 02.97		250-23129
			G4EK		02.97 -> 08.97		250-23084
			G4FK		10.95 -> 12.96		250-24584
			G4FK		12.96 -> 08.97		250-24593
			G4FK		08.97 -> 09.99		250-23084
1.5 CRDi GLS	MC	81	D3EA81		12.05 ->	Pre cat	250-25034
1.6	LC	77	G4ED		02.03 ->	Pre cat	250-24349
			G4ED		02.03 ->	Post cat	250-24349
1.6 GLS	MC	82	G4EB		12.05 ->	Pre cat	250-24349
			G4EB		12.05 ->	Post cat	250-24349
<b>ATOS</b>							
1.0 i	MX	40	G4HC		02.98 -> 08.00		250-21066
<b>ATOS PRIME</b>							
1.0 i	MX	40	G4HC		12.99 -> 06.01		250-21066
<b>AZERA</b>							
3.3	GLS				01.07 -> 12.08	Pre cat Front	250-24690
					01.07 -> 12.08	Pre cat Rear	250-24690
					01.07 -> 12.08	Post cat Front	250-24690
					01.07 -> 12.08	Post cat Rear	250-24707
3.8					01.06 -> 12.08	Pre cat Front	250-24690
					01.06 -> 12.08	Pre cat Rear	250-24690
					01.06 -> 12.08	Post cat Front	250-24690
					01.06 -> 12.08	Post cat Rear	250-24707
<b>COUPE</b>							
1.6 16V	GK	77	G4GRE		03.02 ->	Pre cat	250-24349
			G4GRE		03.02 ->	Post cat	250-24349
		79	G4GRE2		01.04 ->	Pre cat	250-24349
			G4GRE2		01.04 ->	Post cat	250-24349
	RD	85	G4GR		03.98 -> 05.00	Pre cat	250-24593
			G4GR		05.00 -> 12.01	Pre cat	250-24349
1.6 i 16V	RD	84	G4GR		12.96 -> 12.96		250-24584
			G4GR		12.96 -> 05.00		250-24593
			G4GR		05.00 -> 12.01		250-24349
2.0	GK	102	G4GC-G		03.02 -> 02.03	Pre cat	250-24438
			G4GC-G		03.02 -> 02.03	Post cat	250-24349
2.0 16V	RD	102	G4GF		08.96 -> 12.96		250-24584
			G4GF		12.96 -> 04.02	Pre cat	250-24593
			G4GF		05.00 -> 04.02	Post cat	250-24356
2.0 GLS	GK	105	G4GC-G		04.03 ->	Pre cat	250-24438
			G4GCG		04.03 ->	Post cat	250-24349
2.7 V6	GK	123	G6BA-G	Euro 3 (D3), Euro 4 (D4)	03.02 -> 01.03	Pre cat Front	250-24517
			G6BA-G	Euro 3 (D3), Euro 4 (D4)	03.02 -> 01.03	Pre cat Rear	250-24517
			G6BA-G	Euro 3 (D3), Euro 4 (D4)	03.02 -> 01.03	Post cat Front	250-24461
			G6BA-G	Euro 3 (D3), Euro 4 (D4)	03.02 -> 01.03	Post cat Rear	250-24518
			G6BA-G	Euro 3 (D3), Euro 4 (D4)	01.03 ->	Pre cat Front	250-24461
			G6BA-G	Euro 3 (D3), Euro 4 (D4)	01.03 ->	Pre cat Rear	250-24461
			G6BA-G	Euro 3 (D3), Euro 4 (D4)	01.03 ->	Post cat Front	250-24461
			G6BA-G	Euro 3 (D3), Euro 4 (D4)	01.03 ->	Post cat Rear	250-24783
			G6BA-G		09.04 ->	Pre cat	250-24400
<b>ELANTRA</b>							
1.6	XD	77	G4GRE		06.03 -> 01.07	Pre cat	250-24349
			G4GRE		06.03 -> 01.07	Post cat	250-24349
	XD	79	G4ED-G		06.00 ->	Pre cat	250-24349
			G4ED-G		06.00 ->	Post cat	250-24349
1.8	XD	97	G4GM		06.00 ->	Pre cat	250-24438
			G4GM		06.00 ->	Post cat	250-24349
2.0	XD	102,104	G4GC-G		06.00 ->	Pre cat	250-24438
			G4GC-G		06.00 ->	Post cat	250-24349
	XD	105	G4GCG		10.03 ->	Pre cat	250-24438
			G4GCG		10.03 ->	Post cat	250-24349
<b>ELANTRA Saloon</b>							
1.6	XD	77	G4GRE		05.03 ->	Pre cat	250-24349
			G4GRE		05.03 ->	Post cat	250-24349
	XD	79	G4ED-G		06.00 -> 05.03	Pre cat	250-24349
			G4ED-G		06.00 -> 05.03	Post cat	250-24349
1.8	XD	97	G4GM		06.00 ->	Pre cat	250-24438
			G4GM		06.00 ->	Post cat	250-24349
2.0	XD	102,104	G4GC-G		06.00 -> 05.03	Pre cat	250-24438
			G4GCG		06.00 -> 05.03	Post cat	250-24349



Model / Liter	Body Code	kW	Engine Code	Application Identifier Engine or Chassis	Year From → To	Position	Walker Direct Fit
<b>HYUNDAI (cont'd)</b>							
<b>ELANTRA Saloon (cont'd)</b>							
2.0		105	G4GCG G4GCG		10.03 → 10.03 →	Pre cat Post cat	250-24438 250-24349
<b>GETZ</b>							
1.3	TB	60	G4EH		09.02 → 03.04	Pre cat	250-24349
		63	G4GCG		04.04 → 08.05	Pre cat	250-24349
1.4	TB	71	G4EE G4EE		09.05 → 09.05 →	Pre cat Post cat	250-24349 250-21000
1.5 CRDi	TB	65	D3EA65		09.05 →		250-25034
1.5 CRDi GLS	TB	81	D3EA81		09.05 →		250-25034
1.6	TB	77	G4GRE G4GRE		09.02 → 09.05 →	Pre cat Post cat	250-24349 250-21000
<b>SANTA FÉ</b>							
2.0	SM	99	G4DP G4DP		08.01 → 02.06 08.01 → 02.06	Pre cat Post cat	250-24422 250-24368
2.2 CRDi GLS	CM	110	D4EB		03.06 → 10.06		250-25034
2.2 CRDi GLS 4x4	CM	110	D4EB		03.06 → 10.06		250-25034
2.4 16V	SM	107	G4X G4X		02.01 → 02.06 02.01 → 02.06	Pre cat Post cat	250-24422 250-24368
2.4 16V 4x4	SM	107	G4X G4X		02.01 → 02.06 02.01 → 02.06	Pre cat Post cat	250-24422 250-24368
2.7	SM	139	G8-EA G8-EA		03.06 → 03.06 →	Pre cat Post cat	250-24461 250-24462
2.7 4x4	SM	139	G8-EA G8-EA		03.06 → 03.06 →	Pre cat Post cat	250-24461 250-24462
2.7 V6 4x4	SM	127	G6BA-G G6BA-G G6BA-G G6BA-G G6BA-G G6BA-G G6BA-G G6BA-G		02.01 → 01.03 02.01 → 01.03 02.01 → 01.03 02.01 → 01.03 01.03 → 02.06 01.03 → 02.06 01.03 → 02.06 01.03 → 02.06	Pre cat Rear Post cat Front Pre cat Rear Post cat Front	250-24517 250-24517 250-24517 250-24517 250-24461 250-24461 250-24461 250-24783
2.7 V6 GLS	CM	139	G8EA G8EA		03.06 → 03.06 →	Pre cat Post cat	250-24461 250-24462
2.7 V6 GLS 4x4	CM	139	G8EA G8EA		03.06 → 03.06 →	Pre cat Post cat	250-24461 250-24462
<b>SONATA II</b>							
1.8 i	Y-3	72	G4CM		05.96 → 06.98		250-24368
2.0 i	Y-3	77	G4CP G4CP G4CP		06.94 → 05.96 05.96 → 08.96 06.94 → 08.96	Pre cat Post cat	250-24280 250-24280 250-24383
2.0 i 16V	Y-3	92	G4CP-DM G4CP-DM		06.96 → 06.98 06.96 → 06.98	Pre cat Post cat	250-24280 250-24383
	Y-3	102	G4CP-D G4CP-D		07.93 → 06.98 07.93 → 06.98	Pre cat Post cat	250-24280 250-24383
3.0 i V6	Y-3	107	G6AT G6AT		01.93 → 12.98 01.94 → 12.95		250-24009 250-24280
<b>SONATA III</b>							
2.0 16V	EF	100	G4DP G4DP		09.98 → 06.01 08.98 → 06.01	Pre cat Post cat	250-24422 250-24368
2.4 16V	EF	105	G4DS G4DS		10.98 → 06.01 10.98 → 06.01	Pre cat Post cat	250-24422 250-24368
2.5 V6 24V	EF	118	G6AV G6AV G6AV G6AV		08.98 → 06.01 08.98 → 06.01 08.98 → 06.01 08.98 → 06.01	Pre cat Rear Post cat Rear	250-24517 250-24517 250-24517 250-24518
<b>SONATA IV</b>							
2.0	EU4	96	G4DP G4DP		10.01 → 11.04 10.01 → 11.04	Pre cat Post cat	250-24422 250-24368
2.7 V6	EU4	127	G6BA-G G6BA-G G6BA-G G6BA-G G6BA-G G6BA-G G6BA-G G6BA-G	Euro 3 (D3), Euro 4 (D4) Euro 3 (D3), Euro 4 (D4) Euro 3 (D3), Euro 4 (D4) Euro 3 (D3), Euro 4 (D4) Euro 3 (D3), Euro 4 (D4) Euro 3 (D3), Euro 4 (D4) Euro 3 (D3), Euro 4 (D4) Euro 3 (D3), Euro 4 (D4)	10.01 → 01.03 10.01 → 01.03 10.01 → 01.03 10.01 → 01.03 10.01 → 01.03 01.03 → 11.04 01.03 → 11.04 01.03 → 11.04	Pre cat Rear Post cat Front Post cat Rear Pre cat Rear Post cat Front	250-24517 250-24517 250-24517 250-24517 250-24517 250-24461 250-24461 250-24461 250-24783



Model / Liter	Body Code	Engine kW	Engine Code	Application Identifier Engine or Chassis	Year From → To	Position	Walker Direct Fit
<b>HYUNDAI (cont'd)</b>							
<b>SONATA V</b>							
2.4		119	G4KC		03.05 ->	Pre cat	250-24688
			G4KC		03.05 ->	Post cat	250-24687
3.3		171	G6DB		03.05 ->	Pre cat Front	250-24690
			G6DB		03.05 ->	Pre cat Rear	250-24690
			G6DB		03.05 ->	Post cat Front	250-24690
			G6DB		01.05 ->	Post cat Rear	250-24707
<b>TUCSON</b>							
2.0	JM	104	G4GCG		08.04 ->	Pre cat	250-24438
			G4GCG		08.04 ->	Post cat	250-24349
2.0 Allroad	JM	104	G4GCG		08.04 ->	Pre cat	250-24438
			G4GCG		08.04 ->	Post cat	250-24349
2.0 CRDi, Allroad	JM	83	D4EA		08.04 ->		250-25034
		100			09.06 ->		250-25034
		103	D4EA_		09.06 ->		250-25034
2.7 Allroad	JM	129	G6BA-G		08.04 ->	Pre cat Front	250-24461
			G6BA-G		08.04 ->	Pre cat Rear	250-24461
			G6BA-G		08.04 ->	Post cat Front	250-24461
			G6BA-G		08.04 ->	Post cat Rear	250-24783
<b>VERACRUZ</b>							
3.8					01.07 -> 12.08	Pre cat Front	250-24690
					01.07 -> 12.08	Pre cat Rear	250-24739
					01.07 -> 12.08	Post cat Front	250-24690
					01.07 -> 12.08	Post cat Rear	250-24707
<b>INFINITI</b>							
<b>FX35</b>							
3.5			VQ35DE		01.03 -> 12.03	Pre cat Left	250-24450
			VQ35DE		01.03 -> 12.03	Pre cat Right	250-24450
			VQ35DE		01.03 -> 12.03	Post cat Left	250-24448
			VQ35DE		01.03 -> 12.03	Post cat Right	250-24403
			VQ35DE		01.04 -> 12.06	Pre cat Left	250-25005
			VQ35DE		01.04 -> 12.06	Pre cat Right	250-25005
			VQ35DE		01.04 -> 12.06	Post cat Left	250-24448
			VQ35DE		01.04 -> 12.06	Post cat Right	250-24403
			VQ35DE		01.07 -> 12.08	Pre cat Left	250-25005
			VQ35DE		01.07 -> 12.08	Pre cat Right	250-25005
			VQ35DE		01.07 -> 12.08	Post cat Left	250-24741
			VQ35DE		01.07 -> 12.08	Post cat Right	250-24741
<b>FX45</b>							
4.5			VK45DE		01.03 -> 12.04	Pre cat Left	250-24452
			VK45DE		01.03 -> 12.04	Pre cat Right	250-24452
			VK45DE		01.03 -> 12.04	Post cat Left	250-24403
			VK45DE		01.03 -> 12.04	Post cat Right	250-24448
			VK45DE		01.06 -> 12.08	Pre cat Left	250-25005
			VK45DE		01.07 -> 12.08	Pre cat Right	250-25005
			VK45DE		01.06 -> 12.08	Post cat Left	250-24448
			VK45DE		01.07 -> 12.08	Post cat Right	250-24403
			VK45DE		01.05 -> 12.05	Pre cat Left	250-24450
			VK45DE		01.05 -> 12.05	Pre cat Right	250-24452
			VK45DE		01.05 -> 12.05	Post cat Left	250-24448
			VK45DE		01.05 -> 12.05	Post cat Right	250-24403
			VK45DE	From 11.2005	01.05 -> 12.05	Pre cat Left	250-25005
			VK45DE	From 11.2005	01.05 -> 12.05	Pre cat Right	250-25005
			VK45DE	From 11.2005	01.05 -> 12.05	Post cat Left	250-24448
			VK45DE	From 11.2005	01.05 -> 12.05	Post cat Right	250-24403
<b>G35</b>							
3.5			VQ35DE		01.03 -> 12.03	Pre cat Left	250-24450
			VQ35DE		01.03 -> 12.03	Pre cat Right	250-24450
			VQ35DE		01.03 -> 12.03	Post cat Left	250-24448
			VQ35DE		01.03 -> 12.03	Post cat Right	250-24403
			VQ35DE		01.04 -> 12.06	Pre cat Left	250-25005
			VQ35DE		01.04 -> 12.06	Pre cat Right	250-25005
			VQ35DE		01.04 -> 12.06	Post cat Left	250-24448
			VQ35DE		01.04 -> 12.06	Post cat Right	250-24403
			VQ35HR		01.07 -> 12.08	Pre cat Left	250-54035
			VQ35HR		01.07 -> 12.08	Pre cat Right	250-54035
			VQ35HR		01.07 -> 12.08	Post cat Left	250-24741
			VQ35HR		01.07 -> 12.08	Post cat Right	250-24741



Model / Liter	Body Code	kW	Engine Code	Application Identifier Engine or Chassis	Year From→ To	Position	Walker Direct Fit
<b>INFINITI (cont'd)</b>							
<b>G37</b>							
3.7			VQ37VHR		01.08 -> 12.08	Pre cat Left	250-54036
			VQ37VHR		01.08 -> 12.08	Pre cat Right	250-54036
			VQ37VHR		01.08 -> 12.08	Post cat Left	250-24741
			VQ37VHR		01.08 -> 12.08	Post cat Right	250-24741
<b>M35</b>							
3.5			VQ35DE		01.06 -> 12.06	Pre cat Left	250-25005
			VQ35DE		01.06 -> 12.06	Pre cat Right	250-25005
			VQ35DE		01.06 -> 12.06	Post cat Left	250-24448
			VQ35DE		01.06 -> 12.06	Post cat Right	250-24403
			VQ35DE		01.07 -> 12.08	Pre cat Left	250-25008
			VQ35DE		01.07 -> 12.08	Pre cat Right	250-25008
			VQ35DE		01.07 -> 12.08	Post cat Left	250-24741
<b>M45</b>							
4.5			VK45DE		01.03 -> 12.04	Pre cat Left	250-24450
			VK45DE		01.03 -> 12.04	Pre cat Right	250-24452
			VK45DE		01.03 -> 12.04	Post cat Left	250-24448
			VK45DE		01.03 -> 12.04	Post cat Right	250-24403
			VK45DE		01.06 -> 12.08	Pre cat Left	250-25005
			VK45DE		01.06 -> 12.08	Pre cat Right	250-25005
			VK45DE		01.06 -> 12.08	Post cat Left	250-24448
<b>Q45</b>							
4.1	B		VH41DE		01.97 -> 12.98	Pre cat Left	250-23087
	B		VH41DE		01.97 -> 12.98	Pre cat Right	250-23087
	B		VH41DE		01.97 -> 12.98	Post-cat	• 250-24103
	B		VH41DE		01.99 -> 12.01	Pre cat Left	250-23087
	B		VH41DE		01.99 -> 12.01	Pre cat Right	250-23087
	B		VH41DE		01.99 -> 12.01	Post cat Left	250-24103
4.5	B		VH41DE		01.99 -> 12.01	Post cat Right	250-24103
	N		VH45DE		01.95 -> 12.95	Pre cat Left	250-23089
	N		VH45DE		01.95 -> 12.95	Pre cat Right	250-23087
	N		VH45DE		01.96 -> 12.96	Pre cat Left	250-23089
	N		VH45DE		01.96 -> 12.96	Pre cat Right	250-23087
	N		VH45DE		01.96 -> 12.96	Post cat Left	250-24499
	N		VH45DE		01.96 -> 12.96	Post cat Right	250-24138
			VK45DE		01.02 -> 01.05	Pre cat Left	250-24450
			VK45DE		01.02 -> 01.05	Pre cat Right	250-24452
			VK45DE		01.02 -> 01.05	Post cat Left	250-24448
			VK45DE		01.02 -> 01.05	Post cat Right	250-24403
			VK45DE		01.06 -> 01.06	Pre cat Left	250-24450
			VK45DE		01.06 -> 01.06	Pre cat Right	250-24452
			VK45DE		01.06 -> 01.06	Post cat Left	250-24448
		VK45DE		01.06 -> 01.06	Post cat Right	250-24403	
		VK45DE	From 12.2005	01.06 -> 01.06	Pre cat Left	250-25005	
		VK45DE	From 12.2005	01.06 -> 01.06	Pre cat Right	250-25005	
		VK45DE	From 12.2005	01.06 -> 01.06	Post cat Left	250-24448	
		VK45DE	From 12.2005	01.06 -> 01.06	Post cat Right	250-24403	
<b>QX56</b>							
5.6			VK56DE		01.04 -> 12.06	Pre cat Left	250-25005
			VK56DE		01.04 -> 12.06	Pre cat Right	250-25005
			VK56DE		01.04 -> 12.06	Post cat Left	250-24453
			VK56DE		01.04 -> 12.06	Post cat Right	250-24453
			VK56DE		01.07 -> 12.08	Pre cat Left	250-54037
			VK56DE		01.07 -> 12.08	Pre cat Right	250-54037
			VK56DE		01.07 -> 12.08	Post cat Left	250-24453
			VK56DE		01.07 -> 12.08	Post cat Right	250-24453
<b>ISUZU</b>							
<b>ASCENDER</b>							
4.2					01.03 -> 12.03	Pre cat	250-24355
					01.03 -> 12.03	Post cat	250-24339
					01.04 -> 12.05	Pre cat	250-24654
					01.04 -> 12.05	Post cat	250-24339
					01.06 -> 12.06	Pre cat	250-24698
					01.06 -> 12.06	Post cat	250-24703
					01.07 -> 12.08	Pre cat	250-24698
				01.07 -> 12.08	Post cat	250-24708	





Model / Liter	Body Code	Engine kW	Engine Code	Application Identifier Engine or Chassis	Year From→To	Position	Walker Direct Fit
<b>ISUZU (cont'd)</b>							
<b>ASCENDER (cont'd)</b>							
5.3					01.03 -> 12.04	Pre cat Left	250-24269
					01.03 -> 12.04	Pre cat Right	250-24269
					01.03 -> 12.04	Post cat Left	250-24267
					01.03 -> 12.04	Post cat Right	250-24267
					01.05 -> 12.05	Pre cat Left	250-24470
					01.05 -> 12.05	Pre cat Right	250-24470
					01.05 -> 12.05	Post cat Left	250-24267
					01.05 -> 12.05	Post cat Right	250-24267
				1st Design Exhaust	01.06 -> 12.06	Pre cat Left	250-24704
				1st Design Exhaust	01.06 -> 12.06	Pre cat Right	250-24704
				1st Design Exhaust	01.06 -> 12.06	Post cat Left	250-24339
				1st Design Exhaust	01.06 -> 12.06	Post cat Right	250-24339
				2nd Design Exhaust	01.06 -> 12.06	Pre cat Left	250-24704
				2nd Design Exhaust	01.06 -> 12.06	Pre cat Right	250-24704
				2nd Design Exhaust	01.06 -> 12.06	Post cat Left	250-24649
				2nd Design Exhaust	01.06 -> 12.06	Post cat Right	250-24649
<b>AXIOM</b>							
3.5			6VE1		01.02 -> 12.03	Pre cat Left	250-24490
			6VE1		01.02 -> 12.03	Pre cat Right	250-24490
			6VE1		01.02 -> 12.03	Post cat Left	250-24490
			6VE1		01.02 -> 12.03	Post cat Right	250-24490
			6VE1		01.04 -> 12.04	Pre cat Left	250-24269
			6VE1		01.04 -> 12.04	Pre cat Right	250-24269
			6VE1		01.04 -> 12.04	Post cat Left	250-24269
			6VE1		01.04 -> 12.04	Post cat Right	250-24269
<b>RODEO</b>							
2.2			X22SE		01.98 -> 12.03	Pre cat	250-24012
			X22SE		01.98 -> 12.03	Post cat	250-24012
2.6					01.94 -> 12.95		250-23004
					01.95 -> 12.95		250-24012
					01.96 -> 12.97	Pre cat	250-24012
					01.96 -> 12.97	Post cat	250-24012
3.2					01.93 -> 12.95	Pre cat	250-24389
			6VD1		01.01 -> 12.01	Pre cat Left	250-24490
			6VD1		01.01 -> 12.01	Pre cat Right	250-24490
			6VD1		01.01 -> 12.01	Post cat Left	250-24490
			6VD1		01.01 -> 12.01	Post cat Right	250-24490
			6VD1		01.02 -> 12.04	Pre cat Left	250-24269
			6VD1		01.02 -> 12.04	Pre cat Right	250-24269
			6VD1		01.02 -> 12.04	Post cat Left	250-24269
			6VD1		01.02 -> 12.04	Post cat Right	250-24269
			6VD1		01.96 -> 12.00	Pre cat Left	250-24012
			6VD1		01.96 -> 12.00	Pre cat Right	250-24012
			6VD1		01.96 -> 12.00	Post cat Left	250-24012
			6VD1		01.96 -> 12.00	Post cat Right	250-24012
			6VE1		01.04 -> 12.04	Pre cat Left	250-24269
			6VE1		01.04 -> 12.04	Pre cat Right	250-24269
			6VE1		01.04 -> 12.04	Post cat Left	250-24269
			6VE1		01.04 -> 12.04	Post cat Right	250-24269
<b>RODEO SPORT</b>							
2.2			X22SE		01.01 -> 12.03	Pre cat	250-24012
			X22SE		01.01 -> 12.03	Post cat	250-24012
3.2			6VD1		01.02 -> 12.03	Pre cat Left	250-24269
			6VD1		01.02 -> 12.03	Pre cat Right	250-24269
			6VD1		01.02 -> 12.03	Post cat Left	250-24269
			6VD1		01.02 -> 12.03	Post cat Right	250-24269
			6VD1		01.01 -> 12.01	Pre cat Left	250-24012
			6VD1		01.01 -> 12.01	Pre cat Right	250-24012
			6VD1		01.01 -> 12.01	Post cat Left	250-24012
			6VD1		01.01 -> 12.01	Post cat Right	250-24012
			6VD1	From 09.2001	01.01 -> 12.01	Pre cat Left	250-24490
			6VD1	From 09.2001	01.01 -> 12.01	Pre cat Right	250-24490
			6VD1	From 09.2001	01.01 -> 12.01	Post cat Left	250-24490
			6VD1	From 09.2001	01.01 -> 12.01	Post cat Right	250-24490
<b>TROOPER</b>							
3.2					01.92 -> 12.95		250-24389



Model / Liter	Body Code	kW	Engine Code	Application Identifier Engine or Chassis	Year From→ To	Position	Walker Direct Fit			
<b>ISUZU (cont'd)</b>										
<b>TROOPER (cont'd)</b>										
3.5			6VE1		01.00 -> 12.02	Pre cat Left	250-24490			
			6VE1		01.00 -> 12.02	Pre cat Right	250-24490			
			6VE1		01.00 -> 12.02	Post cat Left	250-24490			
			6VE1		01.00 -> 12.02	Post cat Right	250-24490			
			6VE1		01.96 -> 12.99	Pre cat Left	250-24012			
			6VE1		01.96 -> 12.99	Pre cat Right	250-24012			
			6VE1		01.96 -> 12.99	Post cat Left	250-24012			
			6VE1		01.96 -> 12.99	Post cat Right	250-24012			
<b>JAGUAR</b>										
<b>S-TYPE</b>										
2.5 V6	CCX	147	AJ-V6	To Ch. No. M45254	04.02 ->	Pre cat Left	250-24749			
			AJ-V6	To Ch. No. M45254	04.02 ->	Pre cat Right	250-24749			
			AJ-V6	To Ch. No. M45254	04.02 ->	Post cat Left	250-24001			
			AJ-V6	To Ch. No. M45254	04.02 ->	Post cat Right	250-24001			
			AJ-V6	Fr. Ch. No. M69500, To Ch. No. N52047	04.02 ->	Pre cat Left	250-54018			
			AJ-V6	Fr. Ch. No. M69500, To Ch. No. N52047	04.02 ->	Pre cat Right	250-54018			
			AJ-V6	Fr. Ch. No. N41472, To Ch. No. N52047	04.02 ->	Post cat Left	250-24439			
			AJ-V6	Fr. Ch. No. N41472, To Ch. No. N52047	04.02 ->	Post cat Right	250-24439			
			AJ-V6	Fr. Ch. No. N52048	04.02 ->	Pre cat Left	250-54032			
			AJ-V6	Fr. Ch. No. N52048	04.02 ->	Pre cat Right	250-54032			
			AJ-V6	Fr. Ch. No. N52048	04.02 ->	Post cat Left	250-24730			
			AJ-V6	Fr. Ch. No. N52048	04.02 ->	Post cat Right	250-24730			
			3.0 V6	CCX	175	AJ-V6	To Ch. No. M45254	01.99 ->	Pre cat Left	250-24749
						AJ-V6	To Ch. No. M45254	01.99 ->	Pre cat Right	250-24749
						AJ-V6	To Ch. No. M45254	01.99 ->	Post cat Left	250-24001
						AJ-V6	To Ch. No. M45254	01.99 ->	Post cat Right	250-24001
AJ-V6	Fr. Ch. No. M69500, To Ch. No. N52047	01.99 ->				Pre cat Left	250-54018			
AJ-V6	Fr. Ch. No. M69500, To Ch. No. N52047	01.99 ->				Pre cat Right	250-54018			
AJ-V6	Fr. Ch. No. N41472, To Ch. No. N52047	01.99 ->				Post cat Left	250-24439			
AJ-V6	Fr. Ch. No. N41472, To Ch. No. N52047	01.99 ->				Post cat Right	250-24439			
AJ-V6	Fr. Ch. No. N52048	01.99 -> 12.03				Pre cat Left	250-54032			
AJ-V6	Fr. Ch. No. N52048	01.99 -> 12.03				Pre cat Right	250-54032			
AJ-V6	Fr. Ch. No. N52048	01.99 -> 12.03				Post cat Left	250-24730			
AJ-V6	Fr. Ch. No. N52048	01.99 -> 12.03				Post cat Right	250-24730			
4.0 V8	CCX	203				AJ-V8	To Ch. No. M45254	01.99 -> 04.02	Pre cat Left	250-24749
						AJ-V8	To Ch. No. M45254	01.99 -> 04.02	Pre cat Right	250-24749
						AJ-V8	To Ch. No. M45254	01.99 -> 04.02	Post cat Left	250-24001
						AJ-V8	To Ch. No. M45254	01.99 -> 04.02	Post cat Right	250-24001
			AJ-V8	Fr. Ch. No. M69500, To Ch. No. N52047	01.99 -> 04.02	Pre cat Left	250-54018			
			AJ-V8	Fr. Ch. No. M69500, To Ch. No. N52047	01.99 -> 04.02	Pre cat Right	250-54018			
			AJ-V8	Fr. Ch. No. M69500, To Ch. No. N52047	01.99 -> 04.02	Post cat Left	250-24439			
			AJ-V8	Fr. Ch. No. M69500, To Ch. No. N52047	01.99 -> 04.02	Post cat Right	250-24439			
			AJ-V8	Fr. Ch. No. N52048	01.99 -> 01.02	Pre cat Left	250-54032			
			AJ-V8	Fr. Ch. No. N52048	01.99 -> 01.02	Pre cat Right	250-54032			
			AJ-V8	Fr. Ch. No. N52048	01.99 -> 01.02	Post cat Left	250-24730			
			AJ-V8	Fr. Ch. No. N52048	01.99 -> 01.02	Post cat Right	250-24730			
			4.2 V8	CCX	219	AJ-V8	To Ch. No. M45254	04.02 ->	Pre cat Left	250-24749
						AJ-V8	To Ch. No. M45254	04.02 ->	Pre cat Right	250-24749
						AJ-V8	To Ch. No. M45254	04.02 ->	Post cat Left	250-24001
						AJ-V8	To Ch. No. M45254	04.02 ->	Post cat Right	250-24001
AJ-V8	Fr. Ch. No. M69500, To Ch. No. N52047	04.02 ->				Pre cat Left	250-54018			
AJ-V8	Fr. Ch. No. M69500, To Ch. No. N52047	04.02 ->				Pre cat Right	250-54018			
AJ-V8	Fr. Ch. No. M69500, To Ch. No. N52047	04.02 ->				Post cat Left	250-24439			
AJ-V8	Fr. Ch. No. M69500, To Ch. No. N52047	04.02 ->				Post cat Right	250-24439			
AJ-V8	Fr. Ch. No. N52048	04.02 -> 12.03				Pre cat Left	250-54032			
AJ-V8	Fr. Ch. No. N52048	04.02 -> 12.03				Pre cat Right	250-54032			
AJ-V8	Fr. Ch. No. N52048	04.02 -> 12.03				Post cat Left	250-24730			
AJ-V8	Fr. Ch. No. N52048	04.02 -> 12.03				Post cat Right	250-24730			
R 4.2 V8	CCX	291				AJ-V8	To Ch. No. M45254	04.02 ->	Pre cat Left	250-24749
						AJ-V8	To Ch. No. M45254	04.02 ->	Pre cat Right	250-24749
						AJ-V8	To Ch. No. M45254	04.02 ->	Post cat Left	250-24001
						AJ-V8	To Ch. No. M45254	04.02 ->	Post cat Right	250-24001
			AJ-V8	Fr. Ch. No. M69500, To Ch. No. N52047	04.02 ->	Pre cat Left	250-54018			
			AJ-V8	Fr. Ch. No. M69500, To Ch. No. N52047	04.02 ->	Pre cat Right	250-54018			
			AJ-V8	Fr. Ch. No. M69500, To Ch. No. N52047	04.02 ->	Post cat Left	250-24439			
			AJ-V8	Fr. Ch. No. M69500, To Ch. No. N52047	04.02 ->	Post cat Right	250-24439			
			AJ-V8	Fr. Ch. No. N52048	04.02 -> 12.03	Pre cat Left	250-54032			
			AJ-V8	Fr. Ch. No. N52048	04.02 -> 12.03	Pre cat Right	250-54032			
			AJ-V8	Fr. Ch. No. N52048	04.02 -> 12.03	Post cat Left	250-24730			
			AJ-V8	Fr. Ch. No. N52048	04.02 -> 12.03	Post cat Right	250-24730			



Model / Liter	Body Code	Engine kW	Engine Code	Application Identifier Engine or Chassis	Year From→To	Position	Walker Direct Fit
<b>JAGUAR (cont'd)</b>							
<b>S-TYPE (cont'd)</b>							
R 4.2 V8	CCX	291	AJ-V8	Fr. Ch. No. N52048	12.03 ->	Pre cat Left	250-54032
			AJ-V8	Fr. Ch. No. N52048	12.03 ->	Pre cat Right	250-54032
			AJ-V8	Fr. Ch. No. N52048	04.02 ->	Post cat Left	250-24730
			AJ-V8	Fr. Ch. No. N52048	04.02 ->	Post cat Right	250-24730
<b>VANDEN PLAS</b>							
4.0					01.95 -> 12.97	Pre cat Cyl 1-3	250-24817
					01.95 -> 12.97	Pre cat Cyl 4-6	250-24817
					01.98 -> 12.98	Pre cat Left	250-24485
					01.98 -> 12.98	Pre cat Right	250-24485
					01.98 -> 12.98	Post cat Left	250-22014
					01.98 -> 12.98	Post cat Right	250-22014
					01.99 -> 12.03	Pre cat Left	250-54018
					01.99 -> 12.03	Pre cat Right	250-54018
					01.99 -> 12.03	Post cat Left	250-24439
					01.99 -> 12.03	Post cat Right	250-24439
4.2					01.04 -> 12.05	Pre cat Left	250-54018
					01.04 -> 12.05	Pre cat Right	250-54018
					01.04 -> 12.05	Post cat Left	250-24439
					01.04 -> 12.05	Post cat Right	250-24439
					01.06 -> 12.06	Pre cat Left	250-54018
					01.06 -> 12.06	Pre cat Right	250-54018
					01.06 -> 12.06	Post cat Left	250-24730
					01.06 -> 12.06	Post cat Right	250-24730
					01.07 -> 12.08	Pre cat Left	250-54032
					01.07 -> 12.08	Pre cat Right	250-54032
					01.07 -> 12.08	Post cat Left	250-24730
					01.07 -> 12.08	Post cat Right	250-24730
<b>XJ8</b>							
4.0			AJV8		01.98 -> 12.98	Pre cat Left	250-24485
			AJV8		01.98 -> 12.98	Pre cat Right	250-24485
			AJV8		01.98 -> 12.98	Post cat Left	250-22014
			AJV8		01.98 -> 12.98	Post cat Right	250-22014
					01.99 -> 12.03	Pre cat Left	250-54018
					01.99 -> 12.03	Pre cat Right	250-54018
					01.99 -> 12.03	Post cat Left	250-24439
					01.99 -> 12.03	Post cat Right	250-24439
4.2					01.04 -> 12.04	Pre cat Left	250-54018
					01.04 -> 12.04	Pre cat Right	250-54018
					01.04 -> 12.04	Post cat Left	250-24439
					01.04 -> 12.04	Post cat Right	250-24439
					01.06 -> 12.08	Pre cat Left	250-54032
					01.06 -> 12.08	Pre cat Right	250-54032
					01.06 -> 12.08	Post cat Left	250-24730
					01.06 -> 12.08	Post cat Right	250-24730
				To Chassis / VIN # G49700	01.05 -> 12.05	Pre cat Left	250-54018
				To Chassis / VIN # G49700	01.05 -> 12.05	Pre cat Right	250-54018
				To Chassis / VIN # G49700	01.05 -> 12.05	Post cat Left	250-24439
				To Chassis / VIN # G49700	01.05 -> 12.05	Post cat Right	250-24439
				From Chassis / VIN # G49701	01.05 -> 12.05	Pre cat Left	250-54032
				From Chassis / VIN # G49701	01.05 -> 12.05	Pre cat Right	250-54032
				From Chassis / VIN # G49701	01.05 -> 12.05	Post cat Left	250-24730
				From Chassis / VIN # G49701	01.05 -> 12.05	Post cat Right	250-24730
					01.06 -> 12.08	Pre cat Left	250-54032
					01.06 -> 12.08	Pre cat Right	250-54032
					01.06 -> 12.08	Post cat Left	250-24730
					01.06 -> 12.08	Post cat Right	250-24730
<b>XJR</b>							
4.0			AJ16		01.95 -> 12.95		250-24817
			AJ16		01.95 -> 12.95		250-24817
			AJ16		01.96 -> 12.97		250-24817
			AJ16		01.96 -> 12.97	Pre cat Cyl 4-6	250-24817
			AJ16		01.96 -> 12.97	Post cat Cyl 1-3	250-24817
			AJ16		01.96 -> 12.97	Post cat Cyl 4-6	250-24817
					01.00 -> 12.03	Pre cat Left	250-54018
					01.00 -> 12.03	Pre cat Right	250-54018
					01.00 -> 12.03	Post cat Left	250-24439
					01.00 -> 12.03	Post cat Right	250-24439



Model / Liter	Body Code	kW	Engine Code	Application Identifier Engine or Chassis	Year From→ To	Position	Walker Direct Fit
<b>JAGUAR (cont'd)</b>							
<b>XJR (cont'd)</b>							
4.0					01.98 -> 12.99	Pre cat Left	250-24485
					01.98 -> 12.99	Pre cat Right	250-24485
					01.98 -> 12.99	Post cat Left	250-22014
					01.98 -> 12.99	Post cat Right	250-22014
4.2					01.04 -> 12.05	Pre cat Left	250-54018
					01.04 -> 12.05	Pre cat Right	250-54018
					01.04 -> 12.05	Post cat Left	250-24439
					01.04 -> 12.05	Post cat Right	250-24439
					01.06 -> 12.08	Pre cat Left	250-54032
					01.06 -> 12.08	Pre cat Right	250-54032
					01.06 -> 12.08	Post cat Left	250-24730
					01.06 -> 12.08	Post cat Right	250-24730
<b>XK</b>							
4.2					01.07 -> 12.08	Pre cat Left	250-54032
					01.07 -> 12.08	Pre cat Right	250-54032
					01.07 -> 12.08	Post cat Left	250-24730
					01.07 -> 12.08	Post cat Right	250-24730
<b>XK8</b>							
4.0			AJV8		01.97 -> 12.98	Pre cat Left	250-24485
			AJV8		01.97 -> 12.98	Pre cat Right	250-24485
			AJV8		01.97 -> 12.98	Post cat Left	250-24439
			AJV8		01.97 -> 12.98	Post cat Right	250-24439
				To Chassis / VIN # V031302	01.99 -> 12.99	Pre cat Left	250-24485
				To Chassis / VIN # V031302	01.99 -> 12.99	Pre cat Right	250-24485
				To Chassis / VIN # V031302	01.99 -> 12.99	Post cat Left	250-24439
				To Chassis / VIN # V031302	01.99 -> 12.99	Post cat Right	250-24439
				From Chassis / VIN # V031302	01.99 -> 12.99	Pre cat Left	250-54018
				From Chassis / VIN # V031302	01.99 -> 12.99	Pre cat Right	250-54018
				From Chassis / VIN # V031302	01.99 -> 12.99	Post cat Left	250-24439
				From Chassis / VIN # V031302	01.99 -> 12.99	Post cat Right	250-24439
					01.00 -> 12.02	Pre cat Left	250-54018
					01.00 -> 12.02	Pre cat Right	250-54018
					01.00 -> 12.02	Post cat Left	250-24439
					01.00 -> 12.02	Post cat Right	250-24439
4.2					01.03 -> 12.06	Pre cat Left	250-54018
					01.03 -> 12.06	Pre cat Right	250-54018
					01.03 -> 12.06	Post cat Left	250-24439
					01.03 -> 12.06	Post cat Right	250-24439
<b>XKR</b>							
4.0					01.00 -> 12.02	Pre cat Left	250-54018
					01.00 -> 12.02	Pre cat Right	250-54018
					01.00 -> 12.02	Post cat Left	250-24439
					01.00 -> 12.02	Post cat Right	250-24439
4.2					01.03 -> 12.06	Pre cat Left	250-54018
					01.03 -> 12.06	Pre cat Right	250-54018
					01.03 -> 12.06	Post cat Left	250-24439
					01.03 -> 12.06	Post cat Right	250-24439
					01.07 -> 12.08	Pre cat Left	250-54032
					01.07 -> 12.08	Pre cat Right	250-54032
					01.07 -> 12.08	Post cat Left	250-24730
					01.07 -> 12.08	Post cat Right	250-24730
<b>X-TYPE</b>							
2.0 V6	CF1	115			03.02 -> 10.05	Pre cat Left	250-54018
		115			03.02 -> 10.05	Pre cat Right	250-54018
		115			03.02 -> 10.05	Post cat Left	250-24439
		115			03.02 -> 10.05	Post cat Right	250-24439
2.5 V6	CF1	144			06.01->	Pre cat Left	250-54018
		144			06.01->	Pre cat Right	250-54018
		144			06.01->	Post cat Left	250-24439
		144			06.01->	Post cat Right	250-24439
3.0 V6	CF1	169			06.01->	Pre cat Left	250-54018
		169			06.01->	Pre cat Right	250-54018
		169			06.01->	Post cat Left	250-24439
		169			06.01->	Post cat Right	250-24439
<b>X-TYPE Estate</b>							
2.0 V6		115	AJ-V6		11.03->	Pre cat Left	250-54018
			AJ-V6		11.03->	Pre cat Right	250-54018
			AJ-V6		11.03->	Post cat Left	250-24439
			AJ-V6		11.03->	Post cat Right	250-24439





Model / Liter	Body Code	Engine kW	Engine Code	Application Identifier Engine or Chassis	Year From→ To	Position	Walker Direct Fit					
<b>JAGUAR (cont'd)</b>												
<b>X-TYPE Estate (cont'd)</b>												
2.5		144	AJ-V6		02.04->	Pre cat Left	250-54018					
			AJ-V6		02.04->	Pre cat Right	250-54018					
3.0		169	AJ-V6		02.04->	Post cat Left	250-24439					
			AJ-V6		02.04->	Post cat Right	250-24439					
			AJ-V6		02.04->	Pre cat Left	250-54018					
			AJ-V6		02.04->	Pre cat Right	250-54018					
			AJ-V6		02.04->	Post cat Left	250-24439					
			AJ-V6		02.04->	Post cat Right	250-24439					
<b>JEEP</b>												
<b>CHEROKEE</b>												
2.5					01.91 -> 12.95		250-24004					
					01.96 -> 12.00	Pre cat	250-24077					
4.0					01.96 -> 12.00	Post cat	250-24078					
					01.91 -> 12.95	Pre cat	250-24002					
					01.96 -> 12.99	Pre cat	250-24080					
					01.96 -> 12.99	Post cat	250-24078					
					01.00 -> 12.01	Pre cat	Cyl 1-3 250-24080					
					01.00 -> 12.01	Pre cat	Cyl 4-6 250-24077					
					01.00 -> 12.01	Post cat	Cyl 1-3 250-24078					
					01.00 -> 12.01	Post cat	Cyl 4-6 250-24078					
<b>COMMANDER</b>												
3.7					01.06 -> 12.06	Pre cat Left	250-24680					
					01.06 -> 12.06	Pre cat Right	250-24680					
					01.06 -> 12.06	Post cat Left	250-24253					
					01.06 -> 12.06	Post cat Right	250-24253					
					01.07 -> 12.08	Pre cat Left	250-24253					
					01.07 -> 12.08	Pre cat Right	250-24253					
					01.07 -> 12.08	Post cat Left	250-24253					
					01.07 -> 12.08	Post cat Right	250-24253					
					4.7					01.08 -> 12.08	Pre cat Left	250-24253
										01.08 -> 12.08	Pre cat Right	250-24253
										01.08 -> 12.08	Post cat Left	250-24253
										01.08 -> 12.08	Post cat Right	250-24253
01.06 -> 12.07	Pre cat Left	250-24252										
01.06 -> 12.07	Pre cat Right	250-24252										
5.7					01.06 -> 12.07	Post cat Left	250-24252					
					01.06 -> 12.07	Post cat Right	250-24252					
					01.07 -> 12.08	Pre cat Left	250-24253					
					01.07 -> 12.08	Pre cat Right	250-24253					
					01.07 -> 12.08	Post cat Left	250-24253					
					01.07 -> 12.08	Post cat Right	250-24253					
					01.06 -> 12.06	Pre cat Left	250-24680					
					01.06 -> 12.06	Pre cat Right	250-24680					
2.4					01.06 -> 12.06	Post cat Left	250-24253					
					01.06 -> 12.06	Post cat Right	250-24253					
					01.07 -> 12.08	Pre cat Left	250-24686					
					01.07 -> 12.08	Pre cat Right	250-24686					
<b>COMPASS</b>												
2.4					01.07 -> 12.08	Pre cat Left	250-24686					
					01.07 -> 12.08	Pre cat Right	250-24686					
					01.07 -> 12.08	Post cat Left	250-24686					
					01.07 -> 12.08	Post cat Right	250-24686					
<b>GRAND CHEROKEE</b>												
3.7					01.05 -> 12.06	Pre cat Left	250-24680					
					01.05 -> 12.06	Pre cat Right	250-24680					
					01.05 -> 12.06	Post cat Left	250-24253					
					01.05 -> 12.06	Post cat Right	250-24253					
					01.07 -> 12.08	Pre cat Left	250-24253					
					01.07 -> 12.08	Pre cat Right	250-24253					
					01.07 -> 12.08	Post cat Left	250-24253					
					01.07 -> 12.08	Post cat Right	250-24253					
					4.0					01.93 -> 12.95		250-24003
										01.96 -> 12.98	Pre cat	250-24076
										01.96 -> 12.98	Post cat	250-24078
										01.99 -> 12.00	Pre cat	250-24077
01.99 -> 12.00	Post cat	250-24078										
01.01 -> 12.03	Pre cat	Cyl 1-3 250-24259										
01.01 -> 12.03	Pre cat	Cyl 4-6 250-24260										
01.01 -> 12.03	Post cat	Cyl 1-3 250-24255										
01.01 -> 12.03	Post cat	Cyl 4-6 250-24256										



Model / Liter	Body Code	Engine kW	Engine Code	Application Identifier Engine or Chassis	Year From→ To	Position	Walker Direct Fit
<b>JEEP (cont'd)</b>							
<b>GRAND CHEROKEE (cont'd)</b>							
4.0					01.04 -> 12.04	Pre cat Cyl 1-3	250-24460
					01.04 -> 12.04	Pre cat Cyl 4-6	250-24253
					01.04 -> 12.04	Post cat Cyl 1-3	250-24317
					01.04 -> 12.04	Post cat Cyl 4-6	250-24256
4.7					01.01 -> 12.04	Pre cat Left	250-24258
					01.01 -> 12.04	Pre cat Right	250-24257
					01.01 -> 12.04	Post cat Left	250-24249
					01.01 -> 12.04	Post cat Right	250-24254
					01.05 -> 12.07	Pre cat Left	250-24252
					01.05 -> 12.07	Pre cat Right	250-24252
					01.05 -> 12.07	Post cat Left	250-24252
					01.05 -> 12.07	Post cat Right	250-24252
					01.08 -> 12.08	Pre cat Left	250-24253
					01.08 -> 12.08	Pre cat Right	250-24253
					01.08 -> 12.08	Post cat Left	250-24253
					01.08 -> 12.08	Post cat Right	250-24253
4.7 LIMITED					01.99 -> 12.00	Pre cat	250-24115
					01.99 -> 12.00	Post cat	250-24100
5.2					01.93 -> 12.95	Pre cat	250-24002
					01.96 -> 12.98	Pre cat Left	250-24077
					01.96 -> 12.98	Pre cat Right	250-24077
					01.96 -> 12.98	Post cat	250-24078
5.7					01.05 -> 12.06	Pre cat Left	250-24680
					01.05 -> 12.06	Pre cat Right	250-24680
					01.05 -> 12.06	Post cat Left	250-24253
					01.05 -> 12.06	Post cat Right	250-24253
					01.07 -> 12.08	Pre cat Left	250-24253
					01.07 -> 12.08	Pre cat Right	250-24253
					01.07 -> 12.08	Post cat Left	250-24253
					01.07 -> 12.08	Post cat Right	250-24253
5.9					01.98 -> 12.98	Pre cat	250-24077
					01.98 -> 12.98	Post cat	250-24078
6.1 SRT8					01.06 -> 12.06	Pre cat Left	250-24680
					01.06 -> 12.06	Pre cat Right	250-24680
					01.06 -> 12.06	Post cat Left	250-24253
					01.06 -> 12.06	Post cat Right	250-24253
					01.07 -> 12.08	Pre cat Left	250-24253
					01.07 -> 12.08	Pre cat Right	250-24253
					01.07 -> 12.08	Post cat Left	250-24253
					01.07 -> 12.08	Post cat Right	250-24253
<b>PATRIOT</b>							
2.0					01.07 -> 12.08	Pre cat	250-24686
					01.07 -> 12.08	Post cat	250-24686
2.4					01.07 -> 12.08	Pre cat	250-24686
					01.07 -> 12.08	Post cat	250-24686
<b>LIBERTY</b>							
2.4					01.02 -> 12.03	Pre cat	250-24260
					01.02 -> 12.03	Post cat	250-24345
					01.04 -> 12.04	Pre cat	250-24253
					01.04 -> 12.04	Post cat	250-24460
					01.05 -> 12.05	Pre cat	250-24253
					01.05 -> 12.05	Post cat	250-24253
3.7					01.02 -> 12.03	Pre cat Left	250-24312
					01.02 -> 12.03	Pre cat Right	250-24260
					01.02 -> 12.03	Post cat Left	250-24345
					01.02 -> 12.03	Post cat Right	250-24255
					01.04 -> 12.04	Pre cat Left	250-24253
					01.04 -> 12.04	Pre cat Right	250-24253
					01.04 -> 12.04	Post cat Left	250-24319
					01.04 -> 12.04	Post cat Right	250-24319
					01.05 -> 12.06	Pre cat Left	250-24680
					01.05 -> 12.06	Pre cat Right	250-24680
					01.05 -> 12.06	Post cat Left	250-24253
					01.05 -> 12.06	Post cat Right	250-24253
					01.07 -> 12.08	Pre cat Left	250-24253
					01.07 -> 12.08	Pre cat Right	250-24253
					01.07 -> 12.08	Post cat Left	250-24253
					01.07 -> 12.08	Post cat Right	250-24253



Model / Liter	Body Code	Engine kW	Engine Code	Application Identifier Engine or Chassis	Year From → To	Position	Walker Direct Fit
<b>JEEP (cont'd)</b>							
<b>WRANGLER</b>							
2.4					01.03 -> 12.04	Pre cat	250-24260
					01.03 -> 12.04	Post cat	250-24345
					01.05 -> 12.06	Pre cat	250-24253
					01.05 -> 12.06	Post cat	250-24253
2.5					01.00 -> 12.00	Pre cat	250-24079
					01.00 -> 12.00	Post cat	250-24077
					01.01 -> 12.02	Pre cat	250-24260
					01.01 -> 12.02	Post cat	250-24345
					01.91 -> 12.95	Pre cat	250-24004
					01.97 -> 12.99	Pre cat	250-24077
					01.97 -> 12.99	Post cat	250-24078
3.8					01.07 -> 12.08	Pre cat Left	250-24675
					01.07 -> 12.08	Pre cat Right	250-24686
					01.07 -> 12.08	Post cat Left	250-24253
					01.07 -> 12.08	Post cat Right	250-24253
4.0					01.00 -> 12.00	Pre cat	250-24077
					01.00 -> 12.00	Post cat	250-24078
					01.01 -> 12.03	Pre cat Cyl 1-3	250-24259
					01.01 -> 12.03	Pre cat Cyl 4-6	250-24260
					01.01 -> 12.03	Post cat Cyl 1-3	250-24255
					01.01 -> 12.03	Post cat Cyl 4-6	250-24256
					01.04 -> 12.04	Pre cat Cyl 1-3	250-24460
					01.04 -> 12.04	Pre cat Cyl 4-6	250-24253
					01.04 -> 12.04	Post cat Cyl 1-3	250-24319
					01.04 -> 12.04	Post cat Cyl 4-6	250-24256
					01.05 -> 12.06	Pre cat Cyl 1-3	250-24679
					01.05 -> 12.06	Pre cat Cyl 4-6	250-24680
					01.05 -> 12.06	Post cat Cyl 1-3	250-24253
					01.05 -> 12.06	Post cat Cyl 4-6	250-24460
					01.91 -> 12.95	Pre cat	250-24002
					01.97 -> 12.99	Pre cat	250-24080
					01.97 -> 12.99	Post cat	250-24078
<b>KIA</b>							
<b>CARENS I</b>							
1.8	FC	81	T8	96 EEC	11.00 -> 07.02		250-24750
			T8	Euro 3 (D3)	11.00 -> 07.02	Pre cat	250-24341
			T8		11.00 -> 07.02	Post cat	250-24388
<b>CARENS II</b>							
1.8	FJ	93	T8		07.02 -> 05.06	Pre cat	250-24447
			T8		07.02 -> 05.06	Post cat	250-24447
2.0 CVVT	FJ	102	G4GC		09.04 -> 05.06	Pre cat	250-24349
			G4GC		09.04 -> 05.06	Post cat	250-24768
<b>CARENS III</b>							
2.0 CRDi		103	D4EA		09.06 ->		250-25034
2.0 CVVT		106	G4KA		09.06 ->	Pre cat	250-24688
			G4KA		09.06 ->	Post cat	250-24687
<b>CARNIVAL III</b>							
2.7 V6	UVP_	139	G6EA		06.06 ->	Pre cat Left	250-24461
			G6EA		06.06 ->	Pre cat Right	250-24461
			G6EA		06.06 ->	Post cat Left	250-24462
			G6EA		06.06 ->	Post cat Right	250-24462
<b>CERATO</b>							
1.6		77	G4ED		07.04 ->		250-24349
2.0		105	G4GC		04.04 ->	Pre cat	250-24438
			G4GC		04.04 ->	Post cat	250-24349
<b>OPIRUS</b>							
3.5		149	6G74		09.03 ->	Pre cat Left	250-24462
			6G74		09.03 ->	Pre cat Right	250-24462
			6G74		09.03 ->	Post cat Left	250-24658
			6G74		09.03 ->	Post cat Right	250-24422
<b>OPTIMA</b>							
2.4					01.01 -> 12.05	Pre cat	250-24422
					01.01 -> 12.05	Post cat	250-24368
				Engine code 3	01.06 -> 12.06	Pre cat	250-24688
				Engine code 3	01.06 -> 12.06	Post cat	250-24687
				Engine code 6	01.06 -> 12.06	Pre cat	250-24422
				Engine code 6	01.06 -> 12.06	Post cat	250-24368



Model / Liter	Body Code	kW	Engine Code	Application Identifier Engine or Chassis	Year From→ To	Position	Walker Direct Fit
<b>KIA (cont'd)</b>							
<b>OPTIMA (cont'd)</b>							
2.4					01.07 -> 12.08	Pre cat	250-24688
					01.07 -> 12.08	Post cat	250-24687
2.7					01.01 -> 12.03	Pre cat Front	250-24517
					01.01 -> 12.03	Pre cat Rear	250-24517
					01.01 -> 12.03	Post cat Front	250-24517
					01.01 -> 12.03	Post cat Rear	250-24518
					01.04 -> 12.05	Pre cat Front	250-24461
					01.04 -> 12.05	Pre cat Rear	250-24461
					01.04 -> 12.05	Post cat Front	250-24461
					01.04 -> 12.05	Post cat Rear	250-24783
			Engine code 4		01.06 -> 12.06	Pre cat Front	250-24461
			Engine code 4		01.06 -> 12.06	Pre cat Rear	250-24461
			Engine code 4		01.06 -> 12.06	Post cat Front	250-24462
			Engine code 4		01.06 -> 12.06	Post cat Rear	250-24462
			Engine code 8		01.06 -> 12.06	Pre cat Front	250-24461
			Engine code 8		01.06 -> 12.06	Pre cat Rear	250-24461
			Engine code 8		01.06 -> 12.06	Post cat Front	250-24783
			Engine code 8		01.06 -> 12.06	Post cat Rear	250-24461
					01.07 -> 12.08	Pre cat Front	250-24461
					01.07 -> 12.08	Pre cat Rear	250-24461
					01.07 -> 12.08	Post cat Front	250-24462
					01.07 -> 12.08	Post cat Rear	250-24462
<b>RIO</b>							
1.3	DC_	55	MI-TECH	SOHC	09.00 -> 02.05	Pre cat	250-24384
			MI-TECH	SOHC	09.00 -> 02.05	Post cat	250-24384
	DC_	60	MI-TECH-S82		08.02 -> 02.05	Pre cat	250-24384
			MI-TECH-S82		08.02 -> 02.05	Post cat	250-24384
1.5	DC_	72	MI-TECH	DOHC	09.00 -> 02.05	Pre cat	250-24384
			MI-TECH	DOHC	09.00 -> 02.05	Post cat	250-24384
<b>RIO Estate</b>							
1.3	DC	55	MI-TECH	SOHC	08.00 -> 02.05	Pre cat	250-24384
			MI-TECH	SOHC	08.00 -> 02.05	Post cat	250-24384
	DC	60	MI-TECH-S82		01.03 -> 02.05	Pre cat	250-24384
			MI-TECH-S82		01.03 -> 02.05	Post cat	250-24384
1.5	DC	71	MI-TECH	DOHC	01.03 -> 02.05	Pre cat	250-24384
			MI-TECH	DOHC	01.03 -> 02.05	Post cat	250-24384
	DC	72	MI-TECH	DOHC	08.00 -> 02.05	Pre cat	250-24384
			MI-TECH	DOHC	08.00 -> 02.05	Post cat	250-24384
<b>RIO II</b>							
1.4 16V		71	G4EE		06.05 ->	Pre cat	250-24349
			G4EE		06.05 ->	Post cat	250-24349
1.5 CRDi		81	D4FA		06.05 ->	Pre cat	250-25034
1.6 16V		82	G4GD		06.05 ->	Pre cat	250-24349
			G4GD		06.05 ->	Post cat	250-24349
<b>SORENTO</b>							
3.3					01.08 -> 12.08	Pre cat Front	250-24690
					01.08 -> 12.08	Pre cat Rear	250-24739
					01.08 -> 12.08	Post cat Front	250-24707
					01.08 -> 12.08	Post cat Rear	250-24740
3.5					01.03 -> 12.06	Pre cat Front	250-24462
					01.03 -> 12.06	Pre cat Rear	250-24462
					01.03 -> 12.06	Post cat Front	250-24658
					01.03 -> 12.06	Post cat Rear	250-24658
3.8					01.07 -> 12.08	Pre cat Front	250-24690
					01.07 -> 12.08	Pre cat Rear	250-24739
					01.07 -> 12.08	Post cat Front	250-24707
					01.07 -> 12.08	Post cat Rear	250-24740
<b>SPORTAGE</b>							
2.0				Engine code 1	01.95 -> 12.95		250-23126
				Engine code 3	01.95 -> 12.95		250-23084
			FED		01.96 -> 12.02	Pre cat	250-24341
			FED		01.96 -> 12.02	Post cat	250-24341
					01.06 -> 12.08	Pre cat	250-24438
					01.06 -> 12.08	Post cat	250-24349
2.7					01.05 -> 12.08	Pre cat Front	250-24461
					01.05 -> 12.08	Pre cat Rear	250-24461
					01.05 -> 12.08	Post cat Front	250-24461
					01.05 -> 12.08	Post cat Rear	250-24783





Model / Liter	Body Code	Engine kW	Engine Code	Application Identifier Engine or Chassis	Year From→To	Position	Walker Direct Fit
<b>LAND ROVER</b>							
<b>DEFENDER Station Wagon</b>							
3.9 V8	LD	136			11.98 ->	Pre cat Left	250-24512
					11.98 ->	Pre cat Right	250-24512
<b>FREELANDER</b>							
1.8 16V	LN	86	18 K4F	Fr. Ch. No. 1A323729	11.00 ->		250-24538
			18 K4F	To Ch. No. 2A399806	11.00 ->		250-24538
			18K4, 18K4FK	Fr. Ch. No. WA600478	11.00 ->		250-24193
			18K4, 18K4FK	To Ch. No. 1A323728	11.00 ->		250-24193
		88		Fr. Ch. No. 1A323729	02.98 -> 11.00		250-24538
				To Ch. No. 2A399806	02.98 -> 11.00		250-24538
			18K4FK	Fr. Ch. No. WA600478	02.98 -> 11.00		250-24193
			18K4FK	To Ch. No. 1A323728	02.98 -> 11.00		250-24193
<b>FREELANDER 2</b>							
3.2	FA_	171			10.06 ->	Pre cat Left	250-54028
					10.06 ->	Pre cat Right	250-54028
<b>FREELANDER Soft Top</b>							
1.8 i 16V		88		Fr. Ch. No. 1A323729	02.98 ->		250-24538
				To Ch. No. 2A399806	02.98 ->		250-24538
			18K4FK	Fr. Ch. No. WA600478	02.98 ->		250-24193
			18K4FK	To Ch. No. 1A323728	02.98 ->		250-24193
<b>LR2</b>							
3.2					01.08 -> 12.08	Pre cat Left	250-54028
					01.08 -> 12.08	Pre cat Right	250-54028
					01.08 -> 12.08	Post cat Left	250-24455
					01.08 -> 12.08	Post cat Right	250-24455
<b>LR3</b>							
4.0					01.05 -> 12.07	Pre cat Left	250-24714
					01.05 -> 12.07	Pre cat Right	250-24714
					01.05 -> 12.07	Post cat Left	250-24455
					01.05 -> 12.07	Post cat Right	250-24455
4.4					01.05 -> 12.07	Pre cat Left	250-24714
					01.05 -> 12.07	Pre cat Right	250-24714
					01.05 -> 12.07	Post cat Left	250-24455
					01.05 -> 12.07	Post cat Right	250-24455
<b>RANGE ROVER II</b>							
3.9	LP	140	42 D	To Ch. No. VA350483	09.94 -> 03.02	Pre cat Left	250-24804
			42 D	To Ch. No. VA350483	09.94 -> 03.02	Pre cat Right	250-24804
			42 D	Fr. Ch. No. VA350484	07.94 -> 03.02	Pre cat Left	250-24512
			42 D	To Ch. No. WA410481	07.94 -> 03.02	Pre cat Left	250-24512
			42 D	Fr. Ch. No. VA350484	07.94 -> 03.02	Pre cat Right	250-24512
			42 D	To Ch. No. WA410481	07.94 -> 03.02	Pre cat Right	250-24512
			42 D	Fr. Ch. No. XA410482	07.94 -> 02.02	Pre cat Left	250-24496
			42 D	Fr. Ch. No. XA410482	07.94 -> 02.02	Pre cat Right	250-24496
4.0	LP	136		To Ch. No. VA350483	06.98 -> 03.02	Pre cat Left	250-24804
				To Ch. No. VA350483	06.98 -> 03.02	Pre cat Right	250-24804
				Fr. Ch. No. VA350484	06.98 -> 03.02	Pre cat Left	250-24512
				To Ch. No. WA410481	06.98 -> 03.02	Pre cat Left	250-24512
				Fr. Ch. No. VA350484	06.98 -> 03.02	Pre cat Right	250-24512
				To Ch. No. WA410481	06.98 -> 03.02	Pre cat Right	250-24512
				Fr. Ch. No. XA410482	06.98 -> 02.02	Pre cat Left	250-24496
				Fr. Ch. No. XA410482	06.98 -> 02.02	Pre cat Right	250-24496
4.6	LP	160		To Ch. No. VA350483	06.98 -> 03.02	Pre cat Left	250-24804
				To Ch. No. VA350483	06.98 -> 03.02	Pre cat Right	250-24804
				Fr. Ch. No. VA350484	06.98 -> 03.02	Pre cat Left	250-24512
				To Ch. No. WA410481	06.98 -> 03.02	Pre cat Left	250-24512
				Fr. Ch. No. VA350484	06.98 -> 03.02	Pre cat Right	250-24512
				To Ch. No. WA410481	06.98 -> 03.02	Pre cat Right	250-24512
				Fr. Ch. No. XA410482	06.98 -> 02.02	Pre cat Left	250-24496
				Fr. Ch. No. XA410482	06.98 -> 03.02	Pre cat Right	250-24496
		165	46 D	Fr. Ch. No. XA410482	09.94 -> 03.02	Pre cat	250-24496
		46 D		Fr. Ch. No. XA410482	09.94 -> 03.02	Post cat	250-24498
<b>RANGE ROVER III</b>							
4.4	LM	210	M62B44-285		03.02 ->	Pre cat Left	250-24611
			M62B44-285		03.02 ->	Pre cat Right	250-24611
			M62B44-285		03.02 ->	Post cat Left	250-24392
			M62B44-285		03.02 ->	Post cat Right	250-24392
		225			06.05 ->	Pre cat Left	250-24611
					06.05 ->	Pre cat Right	250-24611
			M62B44-285		06.05 ->	Post cat Left	250-24392
			M62B44-285		06.05 ->	Post cat Right	250-24392



Model / Liter	Body Code	Engine kW	Engine Code	Application Identifier Engine or Chassis	Year From→ To	Position	Walker Direct Fit
<b>LAND ROVER (cont'd)</b>							
<b>RANGE ROVER III (cont'd)</b>							
4.2	LM	291			06.05 ->	Pre cat Left	250-54028
			AJ-V8-4.2		06.05 ->	Pre cat Right	250-54028
			AJ-V8-4.2		06.05 ->	Post cat Left	250-24455
			AJ-V8-4.2		06.05 ->	Post cat Right	250-24455
<b>RANGE ROVER SPORT</b>							
4.4		220			06.05 ->	Pre cat Left	250-24714
					06.05 ->	Pre cat Right	250-24714
			LANDR05		06.05 ->	Post cat Left	250-24455
			LANDR05		06.05 ->	Post cat Right	250-24455
4.2		287			06.05 ->	Pre cat Left	250-24714
			AJ-V8-4.2		06.05 ->	Pre cat Right	250-24714
			AJ-V8-4.2		06.05 ->	Post cat Left	250-24455
			AJ-V8-4.2		06.05 ->	Post cat Right	250-24455
<b>LEXUS</b>							
<b>ES300</b>							
3.0			1MZFE		01.94 -> 12.96	Pre cat Front	250-24360
			1MZFE		01.94 -> 12.96	Pre cat Rear	250-24360
			1MZFE		01.94 -> 12.96	Post cat	• 250-24298
			1MZFE		01.97 -> 12.98	Pre cat Front	250-24360
			1MZFE		01.97 -> 12.98	Pre cat Rear	250-24360
			1MZFE		01.97 -> 12.98	Post cat	• 250-24244
			1MZFE		01.99 -> 12.99	Pre cat Front	250-54054
			1MZFE		01.99 -> 12.99	Pre cat Rear	250-54054
			1MZFE		01.00 -> 12.01	Pre cat Front	250-54003
			1MZFE		01.00 -> 12.01	Pre cat Rear	250-54003
			1MZFE		01.02 -> 12.03	Pre cat Front	250-54008
			1MZFE		01.02 -> 12.03	Pre cat Rear	250-54007
			1MZFE		01.02 -> 12.03	Post cat Front	250-24225
			1MZFE		01.02 -> 12.03	Post cat Rear	250-24360
<b>ES330</b>							
3.3			3MZFE		01.04 -> 12.06	Pre cat Front	250-54007
			3MZFE		01.04 -> 12.06	Pre cat Rear	250-54007
			3MZFE		01.04 -> 12.06	Post cat Front	250-24225
			3MZFE		01.04 -> 12.06	Post cat Rear	250-24360
<b>ES350</b>							
3.5			2GRFE		01.07 -> 12.08	Pre cat Front	250-24360
			2GRFE		01.07 -> 12.08	Pre cat Rear	250-24225
			2GRFE		01.07 -> 12.08	Post cat Front	250-54007
			2GRFE		01.07 -> 12.08	Post cat Rear	250-54007
<b>GS300</b>							
3.0			2JZGE		01.95 -> 12.97	Pre cat Cyl 1-3	250-24360
			2JZGE		01.95 -> 12.97	Pre cat Cyl 4-6	250-24360
			2JZGE		01.95 -> 12.97	Post cat	• 250-24298
			2JZGE		01.98 -> 12.98	Pre cat Cyl 1-3	250-24137
			2JZGE		01.98 -> 12.99	Pre cat Cyl 4-6	250-24106
			2JZGE		01.98 -> 12.99	Post cat Cyl 1-3	250-24225
			2JZGE		01.98 -> 12.99	Post cat Cyl 4-6	250-24840
			2JZGE		01.00 -> 12.05	Pre cat Cyl 1-3	250-24137
			2JZGE		01.00 -> 12.05	Pre cat Cyl 4-6	250-24305
			2JZGE		01.00 -> 12.05	Post cat Cyl 1-3	250-24225
			2JZGE		01.00 -> 12.05	Post cat Cyl 4-6	250-24839
			3GRFSE AWD		01.06 -> 12.06	Pre cat Left	250-54006
			3GRFSE AWD		01.06 -> 12.06	Pre cat Right	250-54006
			3GRFSE AWD		01.06 -> 12.06	Post cat Left	250-24685
			3GRFSE AWD		01.06 -> 12.06	Post cat Right	250-24684
			3GRFSE RWD		01.06 -> 12.06	Pre cat Left	250-54006
			3GRFSE RWD		01.06 -> 12.06	Pre cat Right	250-54006
			3GRFSE RWD		01.06 -> 12.06	Post cat Left	250-24684
			3GRFSE RWD		01.06 -> 12.06	Post cat Right	250-24684
<b>GS350</b>							
3.5			2GRFSE AWD		01.07 -> 12.08	Pre cat Left	250-54006
			2GRFSE AWD		01.07 -> 12.08	Pre cat Right	250-54006
			2GRFSE AWD		01.07 -> 12.08	Post cat Left	250-24244
			2GRFSE AWD		01.07 -> 12.08	Post cat Right	250-24623
			2GRFSE RWD		01.07 -> 12.08	Pre cat Left	250-54006
			2GRFSE RWD		01.07 -> 12.08	Pre cat Right	250-54006
			2GRFSE RWD		01.07 -> 12.08	Post cat Left	250-24623
			2GRFSE RWD		01.07 -> 12.08	Post cat Right	250-24623



Model / Liter	Body Code	Engine kW	Engine Code	Application Identifier Engine or Chassis	Year From→To	Position	Walker Direct Fit
<b>LEXUS (cont'd)</b>							
<b>GS400</b>							
4.0			1UZFE		01.98 -> 12.00	Pre cat Left	250-24169
			1UZFE		01.98 -> 12.00	Pre cat Right	250-24169
			1UZFE		01.98 -> 12.00	Post cat Left	250-24623
			1UZFE		01.98 -> 12.00	Post cat Right	250-24623
<b>GS430</b>							
4.3			3UZFE		01.07 -> 12.07	Pre cat Left	250-24169
			3UZFE		01.07 -> 12.07	Pre cat Right	250-24225
			3UZFE		01.07 -> 12.07	Post cat Left	250-24623
			3UZFE		01.07 -> 12.07	Post cat Right	250-24623
<b>IS250</b>							
2.5			4GRFSE	AWD	01.06 -> 12.08	Pre cat Left	250-54006
			4GRFSE	AWD	01.06 -> 12.08	Pre cat Right	250-54006
			4GRFSE	AWD	01.06 -> 12.08	Post cat Left	250-24244
			4GRFSE	AWD	01.06 -> 12.08	Post cat Right	250-24623
			4GRFSE	RWD	01.06 -> 12.08	Pre cat Left	250-54006
			4GRFSE	RWD	01.06 -> 12.08	Pre cat Right	250-54006
			4GRFSE	RWD	01.06 -> 12.08	Post cat Left	250-24623
			4GRFSE	RWD	01.06 -> 12.08	Post cat Right	250-24623
<b>IS300</b>							
3.0			2JZGE		01.01 -> 12.05	Pre cat Left	250-24106
			2JZGE		01.01 -> 12.05	Pre cat Right	250-24226
			2JZGE		01.01 -> 12.05	Post cat Left	250-24225
			2JZGE		01.01 -> 12.05	Post cat Right	250-24840
3.0 Sportcross			2JZGE		02.02 -> 12.05	Pre cat Left	250-24106
			2JZGE		02.02 -> 12.05	Pre cat Right	250-24226
			2JZGE		02.02 -> 12.05	Post cat Left	250-24225
			2JZGE		02.02 -> 12.05	Post cat Right	250-24840
<b>IS350</b>							
3.5			2GRFSE		01.06 -> 12.08	Pre cat Left	250-54006
			2GRFSE		01.06 -> 12.08	Pre cat Right	250-54006
			2GRFSE		01.06 -> 12.08	Post cat Left	250-24623
			2GRFSE		01.06 -> 12.08	Post cat Right	250-24623
<b>LS400</b>							
4.0			1UZFE		01.95 -> 12.00	Pre cat Left	250-24169
			1UZFE		01.95 -> 12.00	Pre cat Right	250-24169
			1UZFE		01.95 -> 12.00	Post cat Left	250-24839
			1UZFE		01.95 -> 12.00	Post cat Right	250-24839
<b>LS430</b>							
4.3			3UZFE		01.01 -> 12.06	Pre cat Left	250-24169
			3UZFE		01.01 -> 12.06	Pre cat Right	250-24225
			3UZFE		01.01 -> 12.06	Post cat Left	250-24483
			3UZFE		01.01 -> 12.06	Post cat Right	250-24483
<b>LS460</b>							
4.6			1URFSE		01.07 -> 12.08	Pre cat Left	250-54006
			1URFSE		01.07 -> 12.08	Pre cat Right	250-54006
			1URFSE		01.07 -> 12.08	Post cat Left	250-24623
			1URFSE		01.07 -> 12.08	Post cat Right	250-24623
<b>LS600H</b>							
5.0			2URSFE		01.08 -> 12.08	Pre cat Left	250-54006
			2URSFE		01.08 -> 12.08	Pre cat Right	250-54006
			2URSFE		01.08 -> 12.08	Post cat Left	250-24169
			2URSFE		01.08 -> 12.08	Post cat Right	250-24623
<b>LX450</b>							
4.5			1FZFE		01.96 -> 12.97	Pre cat	250-24157
			1FZFE		01.96 -> 12.97	Post cat	250-24153
<b>LX470</b>							
4.7			2UZFE		01.98 -> 05.05	Pre cat Left	250-24169
			2UZFE		01.98 -> 05.05	Pre cat Right	250-24169
			2UZFE		01.98 -> 05.05	Post cat Left	250-24154
			2UZFE		01.98 -> 05.05	Post cat Right	250-24154
			2UZFE		05.05 -> 12.07	Pre cat Left	250-54006
			2UZFE		05.05 -> 12.07	Pre cat Right	250-54006
			2UZFE		05.05 -> 12.07	Post cat Left	250-24360
			2UZFE		05.05 -> 12.07	Post cat Right	250-24360
<b>LX570</b>							
5.7			3URFE		01.08 -> 12.08	Pre cat Left	250-54006
			3URFE		01.08 -> 12.08	Pre cat Right	250-54006
			3URFE		01.08 -> 12.08	Post cat Left	250-24360
			3URFE		01.08 -> 12.08	Post cat Right	250-24169



Model / Liter	Body Code	kW	Engine Code	Application Identifier Engine or Chassis	Year From→ To	Position	Walker Direct Fit
<b>LEXUS (cont'd)</b>							
<b>RX300</b>							
3.0			1MZFE		01.99 -> 12.03	Pre cat Front	250-54054
			1MZFE		01.99 -> 12.03	Pre cat Rear	250-54054
			1MZFE		01.99 -> 12.03	Post cat	• 250-24277
<b>RX330</b>							
3.3			3MZFE		01.04 -> 12.06	Pre cat Front	250-54007
			3MZFE		01.04 -> 12.06	Pre cat Rear	250-54007
			3MZFE		01.04 -> 12.06	Post cat Front	250-24420
			3MZFE		01.04 -> 12.06	Post cat Rear	250-24837
<b>RX350</b>							
3.5			2GRFE		01.07 -> 12.08	Pre cat Front	250-54007
			2GRFE		01.07 -> 12.08	Pre cat Rear	250-54007
			2GRFE		01.07 -> 12.08	Post cat Front	250-24420
			2GRFE		01.07 -> 12.08	Post cat Rear	250-24837
<b>RX400H</b>							
3.3			3MZFE		01.06 -> 12.08	Pre cat Front	250-54007
			3MZFE		01.06 -> 12.08	Pre cat Rear	250-54007
			3MZFE		01.06 -> 12.08	Post cat Front	250-24420
			3MZFE		01.06 -> 12.08	Post cat Rear	250-24837
<b>SC300</b>							
3.0			2JZGE		01.94 -> 12.95	Pre cat Cyl 1-3	250-24305
			2JZGE		01.94 -> 12.95	Pre cat Cyl 4-6	250-24305
			2JZGE		01.94 -> 12.95	Post cat	• 250-24155
			2JZGE		01.96 -> 12.97	Pre cat Cyl 1-3	250-24305
			2JZGE		01.96 -> 12.97	Pre cat Cyl 4-6	250-24305
			2JZGE		01.96 -> 12.97	Post cat	• 250-24155
			2JZGE		01.98 -> 12.00	Pre cat Cyl 1-3	250-24106
			2JZGE		01.98 -> 12.00	Pre cat Cyl 4-6	250-24225
			2JZGE		01.98 -> 12.00	Post cat Cyl 1-3	250-24298
			2JZGE		01.98 -> 12.00	Post cat Cyl 4-6	250-24106
<b>SC400</b>							
4.0			1UZFE		01.92 -> 12.95	Pre cat Left	250-24220
			1UZFE		01.92 -> 12.95	Pre cat Right	250-24220
			1UZFE		01.92 -> 12.95	Post cat Left	250-24172
			1UZFE		01.92 -> 12.95	Post cat Right	250-24172
			1UZFE		01.96 -> 12.00	Pre cat Left	250-24169
			1UZFE		01.96 -> 12.00	Pre cat Right	250-24169
			1UZFE		01.96 -> 12.00	Post cat Left	250-24839
			1UZFE		01.96 -> 12.00	Post cat Right	250-24839
<b>SC430</b>							
4.3			3UZFE		01.02 - 12.08	Pre cat Left	250-24169
			3UZFE		01.02 - 12.08	Pre cat Right	250-24225
			3UZFE		01.02 - 12.08	Post cat Left	250-24483
			3UZFE		01.02 - 12.08	Post cat Right	250-24483
<b>LINCOLN</b>							
<b>MKX</b>							
3.5					01.07 -> 12.08	Pre cat Left	250-24301
					01.07 -> 12.08	Pre cat Right	250-24301
					01.07 -> 12.08	Post cat Left	250-24001
					01.07 -> 12.08	Post cat Right	250-24001
<b>MKZ</b>							
3.5					01.07 -> 12.08	Pre cat Front	250-24301
					01.07 -> 12.08	Pre cat Rear	250-24301
					01.07 -> 12.08	Post cat Front	250-24001
					01.07 -> 12.08	Post cat Rear	250-24001
<b>NAVIGATOR</b>							
5.4					01.98 -> 12.98	Pre cat Left	250-24001
					01.98 -> 12.98	Pre cat Right	250-24001
					01.98 -> 12.98	Post cat Left	250-24001
					01.98 -> 12.98	Post cat Right	250-24001
					01.99 -> 12.00	Pre cat Left	250-24749
					01.99 -> 12.00	Pre cat Right	250-24749
					01.99 -> 12.00	Post cat Left	250-24001
					01.99 -> 12.00	Post cat Right	250-24001
					01.01 -> 12.01	Pre cat Left	250-24701
					01.01 -> 12.01	Pre cat Right	250-24701
					01.01 -> 12.01	Post cat Left	250-24001
					01.01 -> 12.01	Post cat Right	250-24001





Model / Liter	Body Code	Engine kW	Engine Code	Application Identifier Engine or Chassis	Year From→ To	Position	Walker Direct Fit
<b>LINCOLN (cont'd)</b>							
<b>NAVIGATOR (cont'd)</b>							
5.4				Engine VIN R	01.01 -> 12.04	Pre cat Left	250-24749
				Engine VIN R	01.01 -> 12.04	Pre cat Right	250-24749
				Engine VIN R	01.01 -> 12.04	Post cat Left	250-24001
				Engine VIN R	01.01 -> 12.04	Post cat Right	250-24001
					01.05 -> 12.08	Pre cat Left	250-24701
					01.05 -> 12.08	Pre cat Right	250-24701
					01.05 -> 12.08	Post cat Left	250-24001
					01.05 -> 12.08	Post cat Right	250-24001
<b>TOWN CAR</b>							
4.6					01.91 -> 12.95	Pre cat Left	250-24001
					01.91 -> 12.95	Pre cat Right	250-24001
					01.96 -> 12.97	Pre cat Left	250-24001
					01.96 -> 12.97	Pre cat Right	250-24001
					01.96 -> 12.97	Post cat Left	250-24001
					01.96 -> 12.97	Post cat Right	250-24001
				w/o Oil Cooler	01.98 -> 12.99	Pre cat Left	250-24302
				w/o Oil Cooler	01.98 -> 12.99	Pre cat Right	250-24302
				w/o Oil Cooler	01.98 -> 12.99	Post cat Left	250-24001
				w/o Oil Cooler	01.98 -> 12.99	Post cat Right	250-24001
				w/ Oil Cooler	01.98 -> 12.99	Pre cat Left	250-24749
				w/ Oil Cooler	01.98 -> 12.99	Pre cat Right	250-24749
				w/ Oil Cooler	01.98 -> 12.99	Post cat Left	250-24001
				w/ Oil Cooler	01.98 -> 12.99	Post cat Right	250-24001
					01.00 -> 12.07	Pre cat Left	250-24302
					01.00 -> 12.07	Pre cat Right	250-24302
					01.00 -> 12.07	Post cat Left	250-24001
					01.00 -> 12.07	Post cat Right	250-24001
<b>MAZDA</b>							
<b>3</b>							
2.0					01.04 -> 12.05	Pre cat	250-24660
					01.04 -> 12.05	Post cat	250-24661
					01.06 -> 12.07	Pre cat	250-25029
					01.06 -> 12.07	Post cat	250-24718
					01.08 -> 12.08	Pre cat	250-25029
					01.08 -> 12.08	Post cat	250-24718
2.3					01.04 -> 12.05	Pre cat	250-24660
					01.04 -> 12.05	Post cat	250-24661
					01.06 -> 12.08	Pre cat	250-25029
					01.06 -> 12.08	Post cat	250-24718
<b>6</b>							
2.3					01.03 -> 12.05	Pre cat	250-24475
					01.03 -> 12.05	Post cat	250-24376
					01.06 -> 12.08	Pre cat	250-54039
					01.06 -> 12.08	Post cat	250-24693
3.0					01.03 -> 12.05	Pre cat Front	250-24474
					01.03 -> 12.05	Pre cat Rear	250-24384
					01.03 -> 12.05	Post cat Front	250-24715
					01.03 -> 12.05	Post cat Rear	250-24086
					01.06 -> 12.08	Pre cat Front	250-24474
					01.06 -> 12.08	Pre cat Rear	250-24384
					01.06 -> 12.08	Post cat Front	250-24724
					01.06 -> 12.08	Post cat Rear	250-24376
<b>B2500</b>							
2.5					01.98 -> 12.01	Pre cat	250-24001
					01.98 -> 12.01	Post cat	250-24127
<b>B3000</b>							
3.0					01.95 -> 12.98	Pre cat Left	250-24001
					01.95 -> 12.98	Pre cat Right	250-24001
				Post Cat OE# ZP218861	01.95 -> 12.98	Post cat	• 250-24127
					01.95 -> 12.98	Pre cat Left	250-24001
					01.95 -> 12.98	Pre cat Right	250-24001
				Post Cat OE# ZP318861	01.95 -> 12.98	Post cat	• 250-24070



Model / Liter	Body Code	kW	Engine Code	Application Identifier Engine or Chassis	Year From→ To	Position	Walker Direct Fit
<b>MAZDA (cont'd)</b>							
<b>B3000 (cont'd)</b>							
3.0				Pre Cat OE# ZZR118861	01.99 -> 12.00	Pre cat Left	250-24701
				Pre Cat OE# ZZR118861	01.99 -> 12.00	Pre cat Right	250-24701
				Post Cat OE# ZZR118861	01.99 -> 12.00	Post cat	•250-24127
				Pre Cat OE# ZZR118861	01.99 -> 12.00	Pre cat Left	250-24701
				Pre Cat OE# ZZR118861	01.99 -> 12.00	Pre cat Right	250-24701
				Post Cat OE# ZZR118861	01.99 -> 12.00	Post cat	•250-24070
				Pre Cat OE# ZZR118861	01.99 -> 12.00	Pre cat Left	250-24001
				Pre Cat OE# ZZR118861	01.99 -> 12.00	Pre cat Right	250-24001
				Post Cat OE# ZZR118861	01.99 -> 12.00	Post cat	•250-24127
				Pre Cat OE# ZZR118861	01.99 -> 12.00	Pre cat Left	250-24001
				Pre Cat OE# ZZR118861	01.99 -> 12.00	Pre cat Right	250-24001
				Post Cat OE# ZZR118861	01.99 -> 12.00	Post cat	•250-24070
				Pre Cat OE# ZZR118861	01.01 -> 12.03	Pre cat Left	250-24001
				Pre Cat OE# ZZR118861	01.01 -> 12.03	Pre cat Right	250-24001
				Post Cat OE# 1F2018860	01.01 -> 12.03	Post cat	•250-24001
				Pre Cat OE# ZZR118861	01.01 -> 12.03	Pre cat Left	250-24001
				Pre Cat OE# ZZR118861	01.01 -> 12.03	Pre cat Right	250-24001
				Post Cat OE# ZZR118861	01.01 -> 12.03	Post cat	•250-24070
				Pre Cat OE# ZZR118861	01.01 -> 12.03	Pre cat Left	250-24701
				Pre Cat OE# ZZR118861	01.01 -> 12.03	Pre cat Right	250-24701
				Post Cat OE# 1F2018860	01.01 -> 12.03	Post cat	•250-24001
				Pre Cat OE# ZZR118861	01.01 -> 12.03	Pre cat Left	250-24701
				Pre Cat OE# ZZR118861	01.01 -> 12.03	Pre cat Right	250-24701
				Post Cat OE# ZZR118861	01.01 -> 12.03	Post cat	•250-24070
					01.04 -> 12.05	Pre cat Left	250-24701
					01.04 -> 12.05	Pre cat Right	250-24701
					01.04 -> 12.05	Post cat	•250-24001
					01.06 -> 12.07	Pre cat Left	250-24701
					01.06 -> 12.07	Pre cat Right	250-24701
					01.06 -> 12.07	Post cat Left	250-24001
					01.06 -> 12.07	Post cat Right	250-24001
<b>B4000</b>							
4.0					01.95 -> 12.98	Pre cat Left	250-24001
					01.95 -> 12.98	Pre cat Right	250-24001
				Post Cat OE# ZZR118861	01.95 -> 12.98	Post cat	•250-24127
					01.95 -> 12.98	Pre cat Left	250-24001
					01.95 -> 12.98	Pre cat Right	250-24001
				Post Cat OE# ZZR118861	01.95 -> 12.98	Post cat	•250-24070
				Pre Cat OE# ZZR118861	01.99 -> 12.00	Pre cat Left	250-24701
				Pre Cat OE# ZZR118861	01.99 -> 12.00	Pre cat Right	250-24701
				Post Cat OE# ZZR118861	01.99 -> 12.00	Post cat	•250-24070
				Pre Cat OE# ZZR118861	01.99 -> 12.00	Pre cat Left	250-24701
				Pre Cat OE# ZZR118861	01.99 -> 12.00	Pre cat Right	250-24701
				Post Cat OE# ZZR118861	01.99 -> 12.00	Post cat	•250-24127
				Pre Cat OE# ZZR118861	01.99 -> 12.00	Pre cat Left	250-24001
				Pre Cat OE# ZZR118861	01.99 -> 12.00	Pre cat Right	250-24001
				Post Cat OE# ZZR118861	01.99 -> 12.00	Post cat	•250-24127
				Pre Cat OE# ZZR118861	01.99 -> 12.00	Pre cat Left	250-24001
				Pre Cat OE# ZZR118861	01.99 -> 12.00	Pre cat Right	250-24001
				Post Cat OE# ZZR118861	01.99 -> 12.00	Post cat	•250-24070
				Pre Cat OE# ZZR118861	01.01 -> 12.03	Pre cat Left	250-24001
				Pre Cat OE# ZZR118861	01.01 -> 12.03	Pre cat Right	250-24001
				Post Cat OE# ZZR118861	01.01 -> 12.03	Post cat	•250-24070
				Pre Cat OE# ZZR118861	01.01 -> 12.03	Pre cat Left	250-24001
				Pre Cat OE# ZZR118861	01.01 -> 12.03	Pre cat Right	250-24001
				Post Cat OE# 1F2018860	01.01 -> 12.03	Post cat	•250-24001
					01.04 -> 12.04	Pre cat Left	250-24701
					01.04 -> 12.04	Pre cat Right	250-24701
					01.04 -> 12.04	Post cat	•250-24001
					01.05 -> 12.08	Pre cat Left	250-24701
					01.05 -> 12.08	Pre cat Right	250-24701
					01.05 -> 12.08	Post cat Left	250-24001
					01.05 -> 12.08	Post cat Right	250-24001
<b>MX-5 I</b>							
1.6	NA	66	B69J		07.96 -> 02.98		250-24123
1.8	NA	96	BPF1		02.94 -> 02.98		250-24123
<b>MX-5 II</b>							
1.9 16V	NB	102	BP-5C		11.00 -> 03.05	Pre cat	250-24128
			BP-5C		11.00 -> 03.05	Post cat	250-24641



Model / Liter	Body Code	Engine kW	Engine Code	Application Identifier Engine or Chassis	Year From→ To	Position	Walker Direct Fit
<b>MAZDA (cont'd)</b>							
<b>MX-5 III</b>							
1.8	NC	93	MZR18		03.05 ->	Pre cat	250-54029
			MZR18		03.05 ->	Post cat	250-24725
2.0	NC	118	MZR20		03.05 ->	Pre cat	250-54029
			MZR20		03.05 ->	Post cat	250-24725
<b>MERCEDES BENZ</b>							
<b>B-CLASS</b>							
<b>150</b>							
	W245	70	M266.920		05.05 ->	Pre cat	250-24686
			M266.920		05.05 ->	Post cat	250-24686
<b>170</b>							
	W245	85	M266.940		05.05 ->	Pre cat	250-24686
			M266.940		05.05 ->	Post cat	250-24686
<b>180 CDI</b>							
	W245	80	OM640.940		05.05 ->	Post cat	250-25042
<b>200</b>							
	W245	100	M266.960		05.05 ->	Pre cat	250-24686
			M266.960		05.05 ->	Post cat	250-24686
<b>B 200 CDI</b>							
	W245	103	OM640.941		05.05 ->	Post cat	250-25042
<b>B 200 TURBO</b>							
	W245	142	M266.980		05.05 ->	Post cat	250-24686
			M266.980		05.05 ->	Pre cat	250-24686
<b>C-CLASS</b>							
<b>C 32 AMG Kompressor</b>							
	W203	260	M112.961		02.01 -> 12.03	Pre cat Left	250-24468
			M112.961		02.01 -> 12.03	Pre cat Right	250-24469
			M112.961		02.01 -> 12.03	Post cat Left	250-24465
			M112.961		02.01 -> 12.03	Post cat Right	250-24465
<b>C 36 AMG</b>							
	W202	206	M104.941	To Ch. No. A436535 F483847	09.94 -> 05.00	Pre cat	250-24038
			M104.941	Fr Ch. No. A436536, F48348	05.94 -> 03.00	Pre cat	250-24609
<b>C 43 AMG</b>							
	W202	225	M113.944		10.97 -> 03.00	Pre cat Left	250-24143
			M113.944		10.97 -> 03.00	Pre cat Right	250-24411
			M113.944		10.97 -> 03.00	Post cat Left	250-24413
			M113.944		10.97 -> 03.00	Post cat Right	250-24419
<b>C 55 AMG</b>							
	W203	270	M113.988		02.04 -> 12.06	Pre cat Left	250-24468
			M113.988		02.04 -> 12.06	Pre cat Right	250-24469
			M113.988		02.04 -> 12.06	Post cat Left	250-24465
			M113.988		02.04 -> 12.06	Post cat Right	250-24465
<b>C 180</b>							
	W202	90	M111.920	Fr Eng. No. 050884, 117656	03.93 -> 03.00		250-24180
	W202	89	M111.921	Fr Eng. No. 050884, 117656	11.94 -> 03.00		250-24180
	W203	95	M111.951	Euro 3 (D3)	10.00 -> 05.02	Pre cat	250-24469
			M111.951	Euro 3 (D3)	10.00 -> 05.02	Post cat	250-24468
			M111.951	Euro 4 (D4)	10.00 -> 05.02	Pre cat	250-24463
			M111.951	Euro 4 (D4)	10.00 -> 05.02	Post cat	250-24469
<b>C 180 Kompressor</b>							
	W203	105	M271.946		06.02 -> 12.06	Pre cat	250-25003
			M271.946		06.02 -> 12.06	Post cat	250-24468
<b>C 200</b>							
	W202	100	M111.941	Fr Eng. No. 014846, 015982	01.94 -> 03.00		250-24180
<b>C 200 CDI</b>							
	W203	90	OM646.962		01.04 -> 12.06	Post cat	250-25042
			OM646.962	RH drive Only	01.04 -> 12.06	Post cat	250-25045
	W204	100	OM646.811		05.07 ->	Post cat	250-25043
			OM646.811	RH drive Only	05.07 ->	Post cat	250-25045
<b>C 200 CGI Kompressor</b>							
	W203	125	M271.942		07.03 -> 12.06	Pre cat	250-25003
			M271.942		07.03 -> 12.06	Post cat	250-24468
<b>C 200 Kompressor</b>							
	W202	132	M111.944	To Eng. No. 000054, 003872	10.95 -> 05.00	Pre cat	250-24180
			M111.944	Fr Eng. No. 000055, 003873	10.95 -> 03.00	Pre cat	250-24198



Model / Liter	Body Code	Engine kW	Engine Code	Application Identifier Engine or Chassis	Year From→ To	Position	Walker Direct Fit
<b>MERCEDES BENZ (cont'd)</b>							
<b>C-CLASS (cont'd)</b>							
<b>C 200 Kompressor (cont'd)</b>							
	W203	120	M271.940		06.02 -> 12.06	Pre cat	250-25003
			M271.940		06.02 -> 12.06	Post cat	250-24468
			M111.955		05.00 -> 05.02	Pre cat	250-24469
			M111.955		05.00 -> 05.02	Post cat	250-24468
<b>C 220</b>							
	W202	110	M111.961	Fr Eng. No. 017342, 050895	03.93 -> 03.00		250-24180
<b>C 220 CDI</b>							
	W203	110	OM646.963		02.04 -> 12.06	Post cat	250-25042
			OM646.963	RH drive Only	02.04 -> 12.06	Post cat	250-25045
	W204	125	OM646.811		01.07 ->	Post cat	250-25043
			OM646.811	RH drive Only	01.07 ->	Post cat	250-25045
<b>C 230</b>							
	W202	110	M111.974	To Eng. No. 001871, 004991	06.96 -> 06.97		250-24180
			M111.974	Fr Eng. No. 001872, 004992	06.96 -> 06.97		250-24198
	W203	150	M272.920		01.05 -> 12.06	Pre cat Left	250-25045
			M272.920		01.05 -> 12.06	Pre cat Right	250-25045
			M272.920		01.05 -> 12.06	Post cat Left	250-24686
			M272.920		01.05 -> 12.06	Post cat Right	250-24686
	W204	150	M272.911		01.07 ->	Pre cat Left	250-25043
			M272.911		01.07 ->	Pre cat Right	250-25043
			M272.911		01.07 ->	Post cat Left	250-24686
			M272.911		01.07 ->	Post cat Right	250-24686
			M272.921		05.07 ->	Pre cat Left	250-25043
			M272.921		05.07 ->	Pre cat Right	250-25043
			M272.921		05.07 ->	Post cat Left	250-24686
			M272.921		05.07 ->	Post cat Right	250-24686
<b>C 230 Kompressor</b>							
	W202	142	M111.975	To Eng. No. 000555, 005799	10.95 -> 05.00		250-24180
			M111.975	Fr Eng. No. 000556, 005800	10.95 -> 03.00		250-24198
	W203	141	M271.948		02.04 -> 12.06	Pre cat	250-25003
			M271.948		02.04 -> 12.06	Post cat	250-24468
<b>C 240</b>							
	W202	125	M112.910		06.97 -> 03.00	Pre cat Left	250-24143
			M112.910		06.97 -> 03.00	Pre cat Right	250-24411
			M112.910		06.97 -> 03.00	Post cat Left	250-24413
			M112.910		06.97 -> 03.00	Post cat Right	250-24419
	W203	125	M112.912		05.00 ->	Pre cat Left	250-24468
			M112.912		05.00 ->	Pre cat Right	250-24469
			M112.912		05.00 ->	Post cat Left	250-24465
			M112.912		05.00 ->	Post cat Right	250-24465
<b>C 240 4-matic</b>							
	W203	125	M112.916		09.02 -> 12.06	Pre cat Left	250-24468
			M112.916		09.02 -> 12.06	Pre cat Right	250-24468
			M112.916		09.02 -> 12.06	Post cat Left	250-24465
			M112.916		09.02 -> 12.06	Post cat Right	250-24466
<b>C 280</b>							
	W202	142	M104.941	To Ch. No. A436535, F483847	05.93 -> 05.00		250-24038
			M104.941	Fr Ch. No. A436536, F48348	05.93 -> 03.00		250-24609
	W202	145	M104.941	Fr Ch. No. A436536, F48348	06.97 -> 03.00		250-24609
			M112.920		06.97 -> 03.00	Pre cat Left	250-24143
			M112.920		06.97 -> 03.00	Pre cat Right	250-24411
			M112.920		06.97 -> 03.00	Post cat Left	250-24413
			M112.920		06.97 -> 03.00	Post cat Right	250-24419
	W203	170	M272.940		07.05 -> 12.06	Pre cat Left	250-25045
			M272.940		07.05 -> 12.06	Pre cat Right	250-25045
			M272.940		07.05 -> 12.06	Post cat Left	250-24686
			M272.940		07.05 -> 12.06	Post cat Right	250-24686
<b>C 280 4-matic</b>							
	W203	170	M272.940		06.05 -> 12.06	Pre cat Left	250-25045
			M272.940		06.05 -> 12.06	Pre cat Right	250-25043
			M272.940		06.05 -> 12.06	Post cat Left	250-24468
			M272.940		06.05 -> 12.06	Post cat Right	250-24469
<b>C 320</b>							
	W203	160	M112.946		05.00 ->	Pre cat Left	250-24468
			M112.946		05.00 ->	Pre cat Right	250-24469
			M112.946		05.00 ->	Post cat Left	250-24465
			M112.946		05.00 ->	Post cat Right	250-24465





Model / Liter	Body Code	Engine kW	Engine Code	Application Identifier Engine or Chassis	Year From→ To	Position	Walker Direct Fit
<b>MERCEDES BENZ (cont'd)</b>							
<b>C-CLASS (cont'd)</b>							
<b>C 320 4-matic</b>							
	W203	160	M112.953		09.02 -> 12.06	Pre cat Left	250-24468
			M112.953		09.02 -> 12.06	Pre cat Right	250-24468
			M112.953		09.02 -> 12.06	Post cat Left	250-24465
			M112.953		09.02 -> 12.06	Post cat Right	250-24466
<b>C 320 CDI</b>							
	W203	165	OM642.910	RH drive Only	07.05 -> 12.06	Post cat	250-25043
			OM642.910		07.05 -> 12.06	Post cat	250-25042
	W204	165	OM642.960		05.07 ->	Post cat	250-25042
<b>C 320 CDI 4-matic</b>							
	W204	165	OM642.961		07.07 ->	Post cat	250-25042
<b>C 350</b>							
	W203	200	M272.960		07.05 -> 12.06	Pre cat Left	250-25045
			M272.960		07.05 -> 12.06	Pre cat Right	250-25045
			M272.960		07.05 -> 12.06	Post cat Left	250-24686
			M272.960		07.05 -> 12.06	Post cat Right	250-24686
<b>C 350 4-matic</b>							
	W203	200	M272.970		07.05 -> 12.06	Pre cat Left	250-25045
			M272.970		07.05 -> 12.06	Pre cat Right	250-25043
			M272.970		07.05 -> 12.06	Post cat Left	250-24468
			M272.970		07.05 -> 12.06	Post cat Right	250-24469
<b>C-CLASS Estate T- MODEL</b>							
<b>C 32 AMG Kompressor</b>							
	S203	260	M112.961		03.01 -> 12.03	Pre cat Left	250-24468
			M112.961		03.01 -> 12.03	Pre cat Right	250-24469
			M112.961		03.01 -> 12.03	Post cat Left	250-24465
			M112.961		03.01 -> 12.03	Post cat Right	250-24465
<b>C 43 AMG</b>							
	S202	225	M113.944	To Ch. No. F980773	10.97 -> 03.01	Pre cat Left	250-24143
			M113.944	To Ch. No. F980773	10.97 -> 03.01	Pre cat Right	250-24411
			M113.944	To Ch. No. F980773	10.97 -> 03.01	Post cat Left	250-24413
			M113.944	To Ch. No. F980773	10.97 -> 03.01	Post cat Right	250-24419
			M113.944	Fr Ch. No. F980774	08.97 -> 02.01	Pre cat Left	250-24468
			M113.944	Fr Ch. No. F980774	08.97 -> 02.01	Pre cat Right	250-24466
			M113.944	Fr Ch. No. F980774	08.97 -> 02.01	Post cat Left	250-24464
			M113.944	Fr Ch. No. F980774	08.97 -> 02.01	Post cat Right	250-24463
			M113.944	RH drive Only; Fr Ch. No. F980774	08.97 -> 02.01	Pre cat Left	250-24464
			M113.944	RH drive Only; Fr Ch. No. F980774	08.97 -> 02.01	Pre cat Right	250-24595
			M113.944	RH drive Only; Fr Ch. No. F980774	08.97 -> 02.01	Post cat Left	250-24464
			M113.944	RH drive Only; Fr Ch. No. F980774	08.97 -> 02.01	Post cat Right	250-24463
<b>C 55 AMG</b>							
	S203	270	M113.988		02.04 -> 08.07	Pre cat Left	250-24468
			M113.988		02.04 -> 08.07	Pre cat Right	250-24469
			M113.988		02.04 -> 08.07	Post cat Left	250-24465
			M113.988		02.04 -> 08.07	Post cat Right	250-24465
<b>C 180</b>							
	S203	95	M111.951	Euro 3 (D3)	10.01 -> 05.02	Pre cat	250-24469
			M111.951	Euro 3 (D3)	10.01 -> 05.02	Post cat	250-24468
			M111.951	Euro 4 (D4)	10.01 -> 05.02	Pre cat	250-24463
			M111.951	Euro 4 (D4)	10.01 -> 05.02	Post cat	250-24469
<b>C 180 Kompressor</b>							
	S203	105	M271.946		06.02 -> 08.07	Pre cat	250-25003
			M271.946		06.02 -> 08.07	Post cat	250-24468
<b>C 180 T</b>							
	S202	90	M111.921	To Eng. No. 004126, 007268	06.96 -> 09.00		250-24180
			M111.921	Fr Eng. No. 004127, 007269	06.96 -> 09.00		250-24198
<b>C 200 CDI</b>							
	S203	90	OM646.962	RH drive Only	04.03 -> 08.07	Post cat	250-25042
			OM646.962		04.03 -> 08.07	Post cat	250-25045
	S204	100	OM646.811	RH drive Only	09.07 ->	Post cat	250-25043
			OM646.811		09.07 ->	Post cat	250-25045
<b>C 200 CGI Kompressor</b>							
	S203	125	M271.942		07.03 -> 08.07	Pre cat	250-25003
			M271.942		07.03 -> 08.07	Post cat	250-24468



Model / Liter	Body Code	Engine kW	Engine Code	Application Identifier Engine or Chassis	Year From→ To	Position	Walker Direct Fit	
<b>MERCEDES BENZ (cont'd)</b>								
<b>C-CLASS Estate T- MODEL (cont'd)</b>								
<b>C 200 Kompressor</b>								
	S203	120	M111.955 M111.955 M271.940 M271.940		03.01 -> 05.02 03.01 -> 05.02 06.02 -> 08.07 06.02 -> 08.07	Pre cat Post cat Pre cat Post cat	250-24469 250-24468 250-25003 250-24468	
<b>C 200 T</b>								
	S202	100	M111.945 M111.945	To Eng. No. 001912, 003752 Fr Eng. No. 001913, 003752	06.96 -> 03.01 06.96 -> 02.01		250-24180 250-24198	
<b>C 200 T Kompressor</b>								
	S202	120	M111.956 M111.956 M111.956 M111.956		09.00 -> 02.01 09.00 -> 02.01 09.00 -> 02.01 09.00 -> 02.01	Pre cat Post cat Pre cat Post cat	250-24468 250-24469 250-24469 250-24469	
	S202	141	M111.944 M111.945 M111.944 M111.945	RH drive Only RH drive Only To Eng. No. 000054, 003872 To Eng. No. 001912, 003752 Fr Eng. No. 000055, 003873 Fr Eng. No. 001913, 003753	06.97 -> 03.01 11.96 -> 03.01 11.96 -> 02.01 11.96 -> 02.01	Pre cat Pre cat Pre cat Pre cat	250-24180 250-24180 250-24198 250-24198	
<b>C 220 CDI</b>								
	S203	110	OM646.963 OM646.963	RH drive Only	02.04 -> 08.07 02.04 -> 08.07	Post cat Post cat	250-25042 250-25045	
<b>C 230</b>								
	S203	150	M272.920 M272.920 M272.920 M272.920		01.05 -> 08.07 01.05 -> 08.07 01.05 -> 08.07 01.05 -> 08.07	Pre cat Pre cat Post cat Post cat	Left Right Left Right	250-25045 250-25045 250-24686 250-24686
	S204	150	M272.921 M272.921 M272.921 M272.921		09.07 -> 09.07 -> 09.07 -> 09.07 ->	Pre cat Pre cat Post cat Post cat	Left Right Left Right	250-25043 250-25043 250-24686 250-24686
<b>C 230 Kompressor</b>								
	S203	141	M271.948 M271.948		02.04 -> 08.07 02.04 -> 08.07	Pre cat Post cat	250-25003 250-24468	
<b>C 230 T</b>								
	S202	110	M111.974 M111.974	To Eng. No. 001871, 004991 Fr Eng. No. 001872, 004992	06.96 -> 06.98 06.96 -> 06.98		250-24180 250-24198	
<b>C 230 T Kompressor</b>								
	S202	142	M111.975 M111.975	To Eng. No. 000555, 005799 Fr Eng. No. 000556, 005800	06.97 -> 09.00 06.97 -> 09.00		250-24180 250-24198	
<b>C 240</b>								
	S203	125	M112.912 M112.912 M112.912 M112.912		03.01 -> 08.07 03.01 -> 08.07 03.01 -> 08.07 03.01 -> 08.07	Pre cat Pre cat Post cat Post cat	Left Right Left Right	250-24468 250-24469 250-24465 250-24465
<b>C 240 4-matic</b>								
	S203	125	M112.916 M112.916 M112.916 M112.916		09.02 -> 08.07 09.02 -> 08.07 09.02 -> 08.07 09.02 -> 08.07	Pre cat Pre cat Post cat Post cat	Left Right Left Right	250-24468 250-24468 250-24466 250-24465
<b>C 240 T</b>								
	S202	125	M112.910 M112.910 M112.910 M112.910 M112.910 M112.910 M112.910 M112.910		06.97 -> 09.00 06.97 -> 09.00 06.97 -> 09.00 06.97 -> 09.00 09.00 -> 02.01 09.00 -> 02.01 09.00 -> 02.01 09.00 -> 02.01	Pre cat Pre cat Post cat Post cat Pre cat Pre cat Post cat Post cat	Left Right Left Right Left Right Left Right	250-24143 250-24411 250-24413 250-24419 250-24468 250-24466 250-24464 250-24463
	S202	125	M112.915 M112.915 M112.915 M112.915	RH drive Only; Fr Ch. No. F980774 RH drive Only; Fr Ch. No. F980774 RH drive Only; Fr Ch. No. F980774 RH drive Only; Fr Ch. No. F980774	09.00 -> 02.01 09.00 -> 02.01 09.00 -> 02.01 09.00 -> 02.01	Pre cat Pre cat Post cat Post cat	Left Right Left Right	250-24464 250-24595 250-24464 250-24463
<b>C 280</b>								
	S203	170	M272.940 M272.940 M272.940 M272.940		07.05 -> 08.07 07.05 -> 08.07 07.05 -> 08.07 07.05 -> 08.07	Pre cat Pre cat Post cat Post cat	Left Right Left Right	250-25045 250-25045 250-24686 250-24686



Model / Liter	Body Code	Engine kW	Engine Code	Application Identifier Engine or Chassis	Year From→To	Position	Walker Direct Fit
<b>MERCEDES BENZ (cont'd)</b>							
<b>C-CLASS Estate T- MODEL (cont'd)</b>							
<b>C 280 (cont'd)</b>							
	S204	170	M272.947		09.07 ->	Pre cat Left	250-25043
			M272.947		09.07 ->	Pre cat Right	250-25043
			M272.947		09.07 ->	Post cat Left	250-24686
			M272.947		09.07 ->	Post cat Right	250-24686
<b>C 280 4-matic</b>							
	S203	170	M272.940		06.05 -> 08.07	Pre cat Left	250-25045
			M272.940		06.05 -> 08.07	Pre cat Right	250-25043
			M272.940		06.05 -> 08.07	Post cat Left	250-24468
			M272.940		06.05 -> 08.07	Post cat Right	250-24469
<b>C 280 T</b>							
	S202	145	M112.920		06.97 -> 03.01	Pre cat Left	250-24143
			M112.920		06.97 -> 03.01	Pre cat Right	250-24411
			M112.920		06.97 -> 03.01	Post cat Left	250-24413
			M112.920		06.97 -> 03.01	Post cat Right	250-24419
			M112.920	Fr Ch. No. F980774	06.97 -> 02.01	Pre cat Left	250-24468
			M112.920	Fr Ch. No. F980774	06.97 -> 02.01	Pre cat Right	250-24466
			M112.920	Fr Ch. No. F980774	06.97 -> 02.01	Post cat Left	250-24464
			M112.920	Fr Ch. No. F980774	06.97 -> 02.01	Post cat Right	250-24463
			M112.920	RH drive Only; Fr Ch. No. F980774	06.97 -> 02.01	Pre cat Left	250-24464
			M112.920	RH drive Only; Fr Ch. No. F980774	06.97 -> 02.01	Pre cat Right	250-24595
			M112.920	RH drive Only; Fr Ch. No. F980774	06.97 -> 02.01	Post cat Left	250-24464
			M112.920	RH drive Only; Fr Ch. No. F980774	06.97 -> 02.01	Post cat Right	250-24463
<b>C 320</b>							
	S203	160	M112.946		03.01 -> 08.07	Pre cat Left	250-24468
			M112.946		03.01 -> 08.07	Pre cat Right	250-24469
			M112.946		03.01 -> 08.07	Post cat Left	250-24465
			M112.946		03.01 -> 08.07	Post cat Right	250-24465
<b>C 320 4-matic</b>							
	S203	160	M112.953		09.02 -> 08.07	Pre cat Left	250-24468
			M112.953		09.02 -> 08.07	Pre cat Right	250-24468
			M112.953		09.02 -> 08.07	Post cat Left	250-24466
			M112.953		09.02 -> 08.07	Post cat Right	250-24465
<b>C 320 CDI</b>							
	S203	165	OM642.910		07.05 -> 08.07	Post cat	250-25043
			OM642.910	RH drive Only	07.05 -> 08.07	Post cat	250-25042
<b>C 320 CDI</b>							
	S204	165	OM642.960		09.07 ->	Post cat	250-25042
<b>C 320 CDI 4-matic</b>							
	S204	165	OM642.961		09.07 ->	Post cat	250-25042
<b>C 350</b>							
	S203	200	M272.960		07.05 -> 08.07	Pre cat Left	250-25045
			M272.960		07.05 -> 08.07	Pre cat Right	250-25045
			M272.960		07.05 -> 08.07	Post cat Left	250-24686
			M272.960		07.05 -> 08.07	Post cat Right	250-24686
	S204	200	M272.961		09.07 ->	Pre cat Left	250-25043
			M272.961		09.07 ->	Pre cat Right	250-25043
			M272.961		09.07 ->	Post cat Left	250-24686
			M272.961		09.07 ->	Post cat Right	250-24686
<b>C 350 4-matic</b>							
	S203	200	M272.970		07.05 -> 08.07	Pre cat Left	250-25045
			M272.970		07.05 -> 08.07	Pre cat Right	250-25043
			M272.970		07.05 -> 08.07	Post cat Left	250-24468
			M272.970		07.05 -> 08.07	Post cat Right	250-24469
<b>C-CLASS Sport Coupe</b>							
<b>C 32 AMG Kompressor</b>							
	CL203	260	M112.961		05.02 -> 01.04	Pre cat Left	250-24468
			M112.961		05.02 -> 01.04	Pre cat Right	250-24469
			M112.961		05.02 -> 01.04	Post cat Left	250-24464
			M112.961		05.02 -> 01.04	Post cat Right	250-24464
<b>C 160 Kompressor</b>							
	CL203	90	M271.921		01.04 ->	Pre cat	250-25003
			M271.921		01.04 ->	Post cat	250-24468
<b>C 180</b>							
	CL203	95	M111.951	Euro 3 (D3)	03.01 -> 05.02	Pre cat	250-24469
			M111.951	Euro 3 (D3)	03.01 -> 05.02	Post cat	250-24468
			M111.951	Euro 4 (D4)	03.01 -> 05.02	Pre cat	250-24463
			M111.951	Euro 4 (D4)	03.01 -> 05.02	Post cat	250-24469



Model / Liter	Body Code	Engine kW	Engine Code	Application Identifier Engine or Chassis	Year From→ To	Position	Walker Direct Fit
<b>MERCEDES BENZ (cont'd)</b>							
<b>C-CLASS Sport Coupe (cont'd)</b>							
<b>C 180 Kompressor</b>							
	CL203	105	M271.946		06.02 ->	Pre cat	250-25003
			M271.946		06.02 ->	Post cat	250-24468
<b>C 200 CDI</b>							
	CL203	90	OM646.962	RH drive Only	01.04 ->	Post cat	250-25042
			OM646.962		01.04 ->	Post cat	250-25045
<b>C 200 CGI Kompressor</b>							
	CL203	125	M271.942		01.04 ->	Pre cat	250-25003
			M271.942		01.04 ->	Post cat	250-24468
<b>C 200 Kompressor</b>							
	CL203	120	M111.955		03.01 -> 05.02	Pre cat	250-24469
			M111.955		03.01 -> 05.02	Post cat	250-24468
			M271.940		06.02 ->	Pre cat	250-25003
			M271.940		06.02 ->	Post cat	250-24468
<b>C 220 CDI</b>							
	CL203	110	OM646.963	RH drive Only	02.04 ->	Post cat	250-25042
			OM646.963		02.04 ->	Post cat	250-25045
<b>C 230</b>							
	CL203	150	M272.920		01.05 ->	Pre cat	250-25045
			M272.920		01.05 ->	Pre cat	250-25045
			M272.920		01.05 ->	Post cat	250-24686
			M272.920		01.05 ->	Post cat	250-24686
<b>C 230 Kompressor</b>							
	CL203	145	M111.981		03.01 -> 05.02	Pre cat	250-24469
			M111.981		03.01 -> 05.02	Post cat	250-24468
	CL203	141	M271.948		06.02 ->	Pre cat	250-25003
			M271.948		06.02 ->	Post cat	250-24468
<b>C 320</b>							
	CL203	160	M112.946		09.02 ->	Pre cat	250-24468
			M112.946		09.02 ->	Pre cat	250-24469
			M112.946		09.02 ->	Post cat	250-24465
			M112.946		09.02 ->	Post cat	250-24465
<b>C 350</b>							
	CL203	200	M272.960		01.05 ->	Pre cat	250-25045
			M272.960		01.05 ->	Pre cat	250-25045
			M272.960		01.05 ->	Post cat	250-24686
			M272.960		01.05 ->	Post cat	250-24686
<b>CL SERIES</b>							
<b>55AMG</b>							
	C215	265	M113.986		10.99 -> 08.02	Pre cat	250-24469
			M113.986		10.99 -> 08.02	Pre cat	250-24469
			M113.986		10.99 -> 08.02	Post cat	250-24469
			M113.986		10.99 -> 08.02	Post cat	250-24469
<b>55AMG Kompressor</b>							
	C215	368	M113.991		09.02 -> 08.06	Pre cat	250-24469
			M113.991		09.02 -> 08.06	Pre cat	250-24469
			M113.991		09.02 -> 08.06	Post cat	250-24469
			M113.991		09.02 -> 08.06	Post cat	250-24469
<b>65AMG</b>							
	C215	450	M275.980		09.03 -> 08.06	Pre cat	250-24469
			M275.980		09.03 -> 08.06	Pre cat	250-24469
			M275.980		09.03 -> 08.06	Post cat	250-24469
			M275.980		09.03 -> 08.06	Post cat	250-24469
<b>500</b>							
	C215	225	M113.960	To Ch. No. A008782	09.99 -> 05.06	Pre cat	250-24610
			M113.960	To Ch. No. A008782	09.99 -> 05.06	Pre cat	250-24610
			M113.960	Fr Ch. No. A008783	09.99 -> 05.06	Pre cat	250-24469
			M113.960	Fr Ch. No. A008783	09.99 -> 05.06	Pre cat	250-24469
			M113.960	Fr Ch. No. A008783	09.99 -> 05.06	Post cat	250-24469
			M113.960	Fr Ch. No. A008783	09.99 -> 05.06	Post cat	250-24469
<b>600</b>							
	C215	270	M137.970	4 Req'd	09.99 -> 08.02	Pre cat	250-24469
			M137.970	4 Req'd	09.99 -> 08.02	Post cat	250-24469
	C215	268	M275.950		09.02 -> 08.06	Pre cat	250-24469
			M275.950		09.02 -> 08.06	Pre cat	250-24469
			M275.950		09.02 -> 08.06	Post cat	250-24469
			M275.950		09.02 -> 08.06	Post cat	250-24469





Model / Liter	Body Code	Engine kW	Engine Code	Application Identifier Engine or Chassis	Year From→To	Position	Walker Direct Fit
<b>MERCEDES BENZ (cont'd)</b>							
<b>CLK SERIES</b>							
<b>55 AMG</b>							
	C208	255	M113.984		08.99 -> 06.02	Pre cat Left	250-24143
			M113.984		08.99 -> 06.02	Pre cat Right	250-24411
			M113.984		08.99 -> 06.02	Post cat Left	250-24413
			M113.984		08.99 -> 06.02	Post cat Right	250-24419
			M113.984	Fr Ch. No. F136790, T000731	08.99 -> 02.02	Pre cat Left	250-24468
			M113.984	Fr Ch. No. F136790, T000731	08.99 -> 02.02	Pre cat Right	250-24466
			M113.984	Fr Ch. No. F136790, T000731	08.99 -> 02.02	Post cat Left	250-24464
			M113.984	Fr Ch. No. F136790, T000731	08.99 -> 02.02	Post cat Right	250-24463
			M113.984	RH drive Only; Fr Ch. No. F136790, T000731	08.99 -> 02.02	Pre cat Left	250-24464
			M113.984	RH drive Only; Fr Ch. No. F136790, T000731	08.99 -> 02.02	Pre cat Right	250-24595
			M113.984	RH drive Only; Fr Ch. No. F136790, T000731	08.99 -> 02.02	Post cat Left	250-24464
			M113.984	RH drive Only; Fr Ch. No. F136790, T000731	08.99 -> 02.02	Post cat Right	250-24463
	C209	270	M113.987		09.02 ->	Pre cat Left	250-24468
			M113.987		09.02 ->	Pre cat Right	250-24469
			M113.987		09.02 ->	Post cat Left	250-24465
			M113.987		09.02 ->	Post cat Right	250-24465
<b>63 AMG</b>							
	C209	354	M156.982		04.06 ->	Pre cat Left	250-25042
			M156.982		04.06 ->	Pre cat Right	250-25045
			M156.982		04.06 ->	Post cat Left	250-24686
			M156.982		04.06 ->	Post cat Right	250-24686
<b>200</b>							
	C208	100	M111.945	To Eng. No. 001912, 003752	06.97 -> 06.02	Pre cat	250-24180
			M111.945	Fr Eng. No. 001912, 003752	06.97 -> 06.02	Pre cat	250-24198
<b>200 CGI</b>							
	C209	125	M271.942		07.03 ->	Post cat	250-24468
			M271.942		07.03 ->	Pre cat	250-25003
<b>200 Kompressor</b>							
	C208	120	M111.956		06.00 -> 02.02	Pre cat	250-24469
			M111.956		06.00 -> 02.02	Post cat	250-24469
	C208	141	M111.944	To Eng. No. 000054, 003872	06.97 -> 06.00	Pre cat	250-24180
			M111.944	Fr Eng. No. 000055, 003873	06.97 -> 06.00	Pre cat	250-24198
	C209	120	M271.940		09.02 ->	Pre cat	250-25003
			M271.940		09.02 ->	Post cat	250-24468
<b>220 CDI</b>							
	C209	110	OM646.966		06.05 ->	Post cat	250-25042
			OM646.966	RH drive Only	06.05 ->	Post cat	250-25045
<b>230 Kompressor</b>							
	C208	142	M111.975	To Eng. No. 000555, 005799	06.97 -> 06.00		250-24180
			M111.975	Fr Eng. No. 000556, 005800	06.97 -> 06.00		250-24198
	C208	145	M111.982		06.00 -> 02.02	Pre cat	250-24468
			M111.982		06.00 -> 02.02	Post cat	250-24469
			M111.982	RH drive Only	06.00 -> 02.02	Pre cat	250-24469
			M111.982	RH drive Only	06.00 -> 02.02	Post cat	250-24469
<b>240</b>							
	C209	125	M112.912		06.02 -> 05.05	Pre cat Left	250-24468
			M112.912		06.02 -> 05.05	Pre cat Right	250-24469
			M112.912		06.02 -> 05.05	Post cat Left	250-24465
			M112.912		06.02 -> 05.05	Post cat Right	250-24465
<b>280</b>							
	C209	170	M272.940		01.05 ->	Pre cat Left	250-24686
			M272.940		01.05 ->	Pre cat Right	250-24686
			M272.940		01.05 ->	Post cat Left	250-25045
			M272.940		01.05 ->	Post cat Right	250-25045
<b>320</b>							
	C208	160	M112.940		06.97 -> 06.02	Pre cat Left	250-24143
			M112.940		06.97 -> 06.02	Pre cat Right	250-24411
			M112.940		06.97 -> 06.02	Post cat Left	250-24413
			M112.940		06.97 -> 06.02	Post cat Right	250-24419
			M112.940	Fr Ch. No. F136790, T000731	06.97 -> 06.02	Pre cat Left	250-24468
			M112.940	Fr Ch. No. F136790, T000731	06.97 -> 06.02	Pre cat Right	250-24466
			M112.940	Fr Ch. No. F136790, T000731	06.97 -> 06.02	Post cat Left	250-24464
			M112.940	Fr Ch. No. F136790, T000731	06.97 -> 06.02	Post cat Right	250-24463
			M112.940	RH drive Only; Fr Ch. No. F136790, T000731	06.97 -> 06.02	Pre cat Left	250-24464
			M112.940	RH drive Only; Fr Ch. No. F136790, T000731	06.97 -> 06.02	Pre cat Right	250-24595
			M112.940	RH drive Only; Fr Ch. No. F136790, T000731	06.97 -> 06.02	Post cat Left	250-24464
			M112.940	RH drive Only; Fr Ch. No. F136790, T000731	06.97 -> 06.02	Post cat Right	250-24463



Model / Liter	Body Code	Engine kW	Engine Code	Application Identifier Engine or Chassis	Year From → To	Position	Walker Direct Fit
<b>MERCEDES BENZ (cont'd)</b>							
<b>CLK SERIES (cont'd)</b>							
<b>320 (cont'd)</b>							
	C209	160	M112.955		06.02 -> 05.05	Pre cat Left	250-24465
			M112.955		06.02 -> 05.05	Pre cat Right	250-24465
			M112.955		06.02 -> 05.05	Post cat Left	250-24468
			M112.955		06.02 -> 05.05	Post cat Right	250-24469
<b>320 CDI</b>							
	C209	165	OM 642.910		06.05 ->	Post cat	250-25043
			OM 642.910	RH drive Only	06.05 ->	Post cat	250-25042
<b>350</b>							
	C209	200	M272.960		01.05 ->	Pre cat Left	250-25045
			M272.960		01.05 ->	Pre cat Right	250-25045
			M272.960		01.05 ->	Post cat Left	250-24686
			M272.960		01.05 ->	Post cat Right	250-24686
<b>430</b>							
	C208	205	M113.943		07.98 -> 06.02	Pre cat Left	250-24143
			M113.943		07.98 -> 06.02	Pre cat Right	250-24411
			M113.943		07.98 -> 06.02	Post cat Left	250-24413
			M113.943		07.98 -> 06.02	Post cat Right	250-24419
			M113.943	Fr Ch. No. F136790, T000731	07.98 -> 02.02	Pre cat Left	250-24468
			M113.943	Fr Ch. No. F136790, T000731	07.98 -> 02.02	Pre cat Right	250-24466
			M113.943	Fr Ch. No. F136790, T000731	02.02 -> 06.02	Post cat Left	250-24464
			M113.943	Fr Ch. No. F136790, T000731	07.98 -> 02.02	Post cat Right	250-24463
			M113.943	RH drive Only; Fr Ch. No. F136790, T000731	07.98 -> 02.02	Pre cat Left	250-24464
			M113.943	RH drive Only; Fr Ch. No. F136790, T000731	07.98 -> 02.02	Pre cat Right	250-24595
			M113.943	RH drive Only; Fr Ch. No. F136790, T000731	02.02 -> 06.02	Post cat Left	250-24464
			M113.943	RH drive Only; Fr Ch. No. F136790, T000731	07.98 -> 02.02	Post cat Right	250-24463
<b>500</b>							
	C209	225	M113.968		06.02 ->	Pre cat Left	250-24468
			M113.968		06.02 ->	Pre cat Right	250-24469
			M113.968		06.02 ->	Post cat Left	250-24465
			M113.968		06.02 ->	Post cat Right	250-24465
<b>CLK Cabriolet</b>							
<b>55 AMG</b>							
	A208	255	M113.984		01.00 -> 03.02	Pre cat Left	250-24143
			M113.984		01.00 -> 03.02	Pre cat Right	250-24411
			M113.984		01.00 -> 03.02	Post cat Left	250-24413
			M113.984		01.00 -> 03.02	Post cat Right	250-24419
			M113.984	Fr Ch. No. F136790, T000731	01.00 -> 03.02	Pre cat Left	250-24468
			M113.984	Fr Ch. No. F136790, T000731	09.00 -> 03.02	Pre cat Right	250-24466
			M113.984	Fr Ch. No. F136790, T000731	01.00 -> 03.02	Post cat Left	250-24464
			M113.984	Fr Ch. No. F136790, T000731	09.00 -> 03.02	Post cat Right	250-24463
			M113.984	RH drive Only; Fr Ch. No. F136790, T000731	01.00 -> 03.02	Pre cat Left	250-24464
			M113.984	RH drive Only; Fr Ch. No. F136790, T000731	01.00 -> 03.02	Pre cat Right	250-24595
			M113.984	RH drive Only; Fr Ch. No. F136790, T000731	01.00 -> 03.02	Post cat Left	250-24464
			M113.984	RH drive Only; Fr Ch. No. F136790, T000731	09.00 -> 03.02	Post cat Right	250-24463
	A209	270	M113.987		02.03 ->	Pre cat Left	250-24468
			M113.987		02.03 ->	Pre cat Right	250-24469
			M113.987		02.03 ->	Post cat Left	250-24465
			M113.987		02.03 ->	Post cat Right	250-24465
<b>63 AMG</b>							
	A209	354	M156.982		04.06 ->	Pre cat Left	250-25042
			M156.982		04.06 ->	Pre cat Right	250-25045
			M156.982		04.06 ->	Post cat Left	250-24686
			M156.982		04.06 ->	Post cat Right	250-24686
<b>200</b>							
	A208	100	M111.945	To Eng. No. 001912, 003752	06.98 -> 03.02		250-24180
			M111.945	Fr Eng. No. 001912, 003753	06.98 -> 03.02		250-24198
<b>200 Kompressor</b>							
	A208	120	M111.956		06.00 -> 03.02	Pre cat	250-24469
			M111.956		06.00 -> 03.02	Post cat	250-24469
	A208	141	M111.944	To Eng. No. 000054, 003872	03.98 -> 06.98		250-24180
			M111.944	Fr Eng. No. 000055, 003873	03.98 -> 06.00		250-24198
	A209	120	M271.940		02.03 -> 11.05	Pre cat	250-25003
			M271.940		02.03 -> 11.05	Post cat	250-24468
<b>230 Kompressor</b>							
	A208	142	M111.975	To Eng. No. 000555, 005799	06.98 -> 06.00		250-24180
			M111.975	Fr Eng. No. 000556, 005800	03.98 -> 06.00		250-24198



Model / Liter	Body Code	Engine kW	Engine Code	Application Identifier Engine or Chassis	Year From→To	Position	Walker Direct Fit
<b>MERCEDES BENZ (cont'd)</b>							
<b>CLK Cabriolet (cont'd)</b>							
<b>230 Kompressor (cont'd)</b>							
	A208	145	M111.982		06.00 -> 03.02	Pre cat	250-24469
			M111.982		06.00 -> 03.02	Post cat	250-24469
			M111.982	RH drive Only	06.00 -> 03.02	Pre cat	250-24468
			M111.982	RH drive Only	06.00 -> 03.02	Post cat	250-24469
<b>240</b>	A209	125	M 112.912		02.03 -> 05.05	Pre cat	250-24468
			M 112.912		02.03 -> 05.05	Pre cat	250-24469
			M 112.912		02.03 -> 05.05	Post cat	250-24465
			M 112.912		02.03 -> 05.05	Post cat	250-24465
<b>280</b>	A209	170	M272.940		01.05 ->	Pre cat	250-25045
			M272.940		01.05 ->	Pre cat	250-25045
			M272.940		01.05 ->	Post cat	250-24686
			M272.940		01.05 ->	Post cat	250-24686
<b>320</b>	A208	160	M112.940		06.98 -> 03.02	Pre cat	250-24143
			M112.940		06.98 -> 03.02	Pre cat	250-24411
			M112.940		06.98 -> 03.02	Post cat	250-24413
			M112.940		06.98 -> 03.02	Post cat	250-24419
			M112.940	Fr Ch. No. T054272	03.98 -> 03.02	Pre cat	250-24468
			M112.940	Fr Ch. No. T054272	03.98 -> 03.02	Pre cat	250-24466
			M112.940	Fr Ch. No. T054272	03.98 -> 03.02	Post cat	250-24464
			M112.940	Fr Ch. No. T054272	03.98 -> 03.02	Post cat	250-24463
			M112.940	RH drive Only; Fr Ch. No. T054272	03.98 -> 03.02	Pre cat	250-24464
			M112.940	RH drive Only; Fr Ch. No. T054272	03.98 -> 03.02	Pre cat	250-24595
			M112.940	RH drive Only; Fr Ch. No. T054272	03.98 -> 03.02	Post cat	250-24464
			M112.940	RH drive Only; Fr Ch. No. T054272	03.98 -> 03.02	Post cat	250-24463
	A209	160	M112.955		02.03 -> 05.05	Pre cat	250-24465
			M112.955		02.03 -> 05.05	Pre cat	250-24465
			M112.955		02.03 -> 05.05	Post cat	250-24468
			M112.955		02.03 -> 05.05	Post cat	250-24469
<b>320 CDI</b>	A209	165	OM642.910		03.05 -> 09.05	Post cat	250-25043
			OM642.910		09.05 ->	Post cat	250-25042
<b>350</b>	A209	200	M272.960		01.05 ->	Pre cat	250-25045
			M272.960		01.05 ->	Pre cat	250-25045
			M272.960		01.05 ->	Post cat	250-24686
			M272.960		01.05 ->	Post cat	250-24686
<b>430</b>	A208	205	M113.943		06.99 -> 03.02	Pre cat	250-24143
	A208	205	M113.943		06.99 -> 03.02	Pre cat	250-24411
	A208	205	M113.943		06.99 -> 03.02	Post cat	250-24413
	A208	205	M113.943		06.99 -> 03.02	Post cat	250-24419
	A208	205	M113.943	Fr Ch. No. T054272	09.98 -> 03.02	Pre cat	250-24468
			M113.943	Fr Ch. No. T054272	09.98 -> 03.02	Pre cat	250-24466
			M113.943	Fr Ch. No. T054272	09.98 -> 03.02	Post cat	250-24464
			M113.943	Fr Ch. No. T054272	09.98 -> 03.02	Post cat	250-24463
			M113.943	RH drive Only; Fr Ch. No. T054272	09.98 -> 03.02	Pre cat	250-24464
			M113.943	RH drive Only; Fr Ch. No. T054272	09.98 -> 03.02	Pre cat	250-24595
			M113.943	RH drive Only; Fr Ch. No. T054272	09.98 -> 03.02	Post cat	250-24464
			M113.943	RH drive Only; Fr Ch. No. T054272	09.98 -> 03.02	Post cat	250-24463
<b>500</b>	A209	225	M113.968		02.03 ->	Pre cat	250-24468
			M113.968		02.03 ->	Pre cat	250-24469
			M113.968		02.03 ->	Post cat	250-24465
			M113.968		02.03 ->	Post cat	250-24465
<b>CLS SERIES</b>							
<b>55 AMG</b>							
	C219	350	M113.990		01.05 ->	Pre cat	250-24469
			M113.990		01.05 ->	Pre cat	250-24469
			M113.990		01.05 ->	Post cat	250-24465
			M113.990		01.05 ->	Post cat	250-24465



Model / Liter	Body Code	Engine kW	Engine Code	Application Identifier Engine or Chassis	Year From→ To	Position	Walker Direct Fit
<b>MERCEDES BENZ (cont'd)</b>							
<b>CLS SERIES (cont'd)</b>							
<b>63 AMG</b>							
	C219	378	M156.983		04.06 ->	Pre cat Left	250-25043
			M156.983		04.06 ->	Pre cat Right	250-25045
			M156.983		04.06 ->	Post cat Left	250-24686
			M156.983		04.06 ->	Post cat Right	250-24686
<b>320 CDI</b>							
	C219	165	OM 642.910		06.05 ->	Post cat	250-25043
<b>350</b>							
	C219	200	M272.964		10.04 ->	Pre cat Left	250-25043
			M272.964		10.04 ->	Pre cat Right	250-25043
			M272.964		10.04 ->	Post cat Left	250-24686
			M272.964		10.04 ->	Post cat Right	250-24686
	C219	215	M272.964		04.06 ->	Pre cat Left	250-25043
			M272.964		04.06 ->	Pre cat Right	250-25043
			M272.964		04.06 ->	Post cat Left	250-24686
			M272.964		04.06 ->	Post cat Right	250-24686
<b>500</b>							
	C219	225	M113.967		10.04 ->	Pre cat Left	250-24469
			M113.967		10.04 ->	Pre cat Right	250-24469
			M113.967		10.04 ->	Post cat Left	250-24465
			M113.967		10.04 ->	Post cat Right	250-24465
<b>E-CLASS</b>							
<b>E 50 AMG</b>							
	W210	255	M119.985		02.96 -> 08.97	Pre cat Left	250-24387
			M119.985		02.96 -> 08.97	Pre cat Right	250-24387
<b>E 55 AMG</b>							
	W210	260	M113.980		09.97 -> 06.00	Pre cat Left	250-24387
			M113.980		09.97 -> 06.00	Pre cat Right	250-24387
			M113.980	RH drive Only	09.97 -> 06.00	Post cat Left	250-24387
			M113.980	RH drive Only	09.97 -> 06.00	Post cat Right	250-24143
			M113.980		06.00 -> 03.02	Pre cat Left	250-24469
			M113.980		06.00 -> 03.02	Pre cat Right	250-24468
			M113.980		02.00 -> 03.02	Post cat Left	250-24469
			M113.980		02.00 -> 03.02	Post cat Right	250-24469
			M113.980	RH drive Only	06.00 -> 03.02	Pre cat Left	250-24468
			M113.980	RH drive Only	06.00 -> 03.02	Pre cat Right	250-24468
			M113.980	RH drive Only	02.00 -> 03.02	Post cat Left	250-24469
			M113.980	RH drive Only	02.00 -> 03.02	Post cat Right	250-24469
<b>E 55 AMG Kompressor</b>							
	W211	350	M113.990		10.02 ->	Pre cat Left	250-24469
			M113.990		10.02 ->	Pre cat Right	250-24469
			M113.990		10.02 -> 03.06	Post cat Left	250-24465
			M113.990		10.02 -> 03.06	Post cat Right	250-24465
<b>E 60 AMG</b>							
	W124	280		To Ch. No. B565713	05.94 -> 06.95		250-24674
				Fr Ch. No. B565714, To Ch. No. B840528	05.94 -> 06.95		250-24038
				Fr Ch. No. B840529	05.94 -> 06.95		250-24044
<b>E 63 AMG</b>							
	W211	378	M156.983		03.06 ->	Pre cat Left	250-25043
			M156.983		03.06 ->	Pre cat Right	250-25043
			M156.983		03.06 ->	Post cat Left	250-24686
			M156.983		03.06 ->	Post cat Right	250-24686
<b>E 200</b>							
	W124	100	M111.940		07.93 -> 06.95		250-24792
			M111.940	RH drive Only	07.93 -> 06.95		250-24034
	W210	100	M111.942		06.95 -> 08.00		250-24412
<b>E 200 CDI</b>							
	W211	75	OM646.951		07.02 -> 05.05	Post cat	250-25042
			OM646.951	RH drive Only	02.06 ->	Post cat	250-25045
	W211	90	OM646.951		07.02 -> 05.05	Post cat	250-25042
			OM646.951	RH drive Only	07.02 -> 03.06	Post cat	250-25045
	W211	100	OM646.820		04.06 ->	Post cat	250-25045
<b>E 200 Kompressor</b>							
	W210	120	M111.957		08.00 -> 03.02	Pre cat	250-24468
			M111.957		08.00 -> 03.02	Post cat	250-24469
	W210	137	M111.947		06.97 -> 03.02	Pre cat	250-24412





Model / Liter	Body Code	Engine kW	Engine Code	Application Identifier Engine or Chassis	Year From→ To	Position	Walker Direct Fit
<b>MERCEDES BENZ (cont'd)</b>							
<b>E-CLASS (cont'd)</b>							
<b>E 200 Kompressor (cont'd)</b>							
	W211	120	M271.941		11.02 -> 03.06	Pre cat	250-25003
			M271.941		11.02 -> 03.06	Post cat	250-24468
	W211	135	M271.956		04.06 ->	Pre cat	250-25003
			M271.956		04.06 ->	Post cat	250-24468
<b>E 220</b>							
	W124	110	M111.960		07.93 -> 06.95		250-24034
<b>E 220 CDI</b>							
	W211	110	OM646.961	RH drive Only	03.02 -> 05.05	Post cat	250-25042
			OM646.961		03.02 -> 03.06	Post cat	250-25045
	W211	125	OM646.821		04.06 ->	Post cat	250-25045
<b>E 230</b>							
	W210	110	M111.970		06.95 -> 06.97		250-24143
	W211	150	M272.922		09.07 ->	Pre cat Left	250-25043
			M272.922		09.07 ->	Pre cat Right	250-25043
			M272.922		09.07 ->	Post cat Left	250-24686
			M272.922		09.07 ->	Post cat Right	250-24686
<b>E 240</b>							
	W210	125	M112.911		06.97 -> 06.00	Pre cat Left	250-24387
			M112.911		06.97 -> 06.00	Pre cat Right	250-24387
			M112.911	RH drive Only	06.97 -> 06.00	Pre cat Left	250-24387
			M112.911	RH drive Only	06.97 -> 06.00	Pre cat Right	250-24143
			M112.911		06.00 -> 08.00	Pre cat Left	250-24469
			M112.911		06.00 -> 08.00	Pre cat Right	250-24468
			M112.911		02.00 -> 08.00	Post cat Left	250-24469
			M112.911		02.00 -> 08.00	Post cat Right	250-24469
			M112.911	RH drive Only	06.00 -> 08.00	Pre cat Left	250-24468
			M112.911	RH drive Only	06.00 -> 08.00	Pre cat Right	250-24468
			M112.911	RH drive Only	02.00 -> 08.00	Post cat Left	250-24469
			M112.911	RH drive Only	02.00 -> 08.00	Post cat Right	250-24469
			M112.914		08.00 -> 03.02	Pre cat Left	250-24469
			M112.914		08.00 -> 03.02	Pre cat Right	250-24468
			M112.914		08.00 -> 03.02	Post cat Left	250-24469
			M112.914		08.00 -> 03.02	Post cat Right	250-24469
			M112.914	RH drive Only	08.00 -> 03.02	Pre cat Left	250-24468
			M112.914	RH drive Only	08.00 -> 03.02	Pre cat Right	250-24469
			M112.914	RH drive Only	08.00 -> 03.02	Post cat Left	250-24469
			M112.914	RH drive Only	08.00 -> 03.02	Post cat Right	250-24469
	W211	130	M112.917, M 112.913		03.02 -> 05.05	Pre cat Left	250-24469
			M112.917, M 112.913		03.02 -> 05.05	Pre cat Right	250-24469
			M112.917, M 112.913		03.02 -> 05.05	Post cat Left	250-24465
			M112.917, M 112.913		03.02 -> 05.05	Post cat Right	250-24465
<b>E 240 4-matic</b>							
	W211	130	M112.917		03.03 -> 06.05	Pre cat Left	250-24468
			M112.917		03.03 -> 06.05	Pre cat Right	250-24468
			M112.917		03.03 -> 06.05	Post cat Left	250-24465
			M112.917		03.03 -> 06.05	Post cat Right	250-24465
<b>E 280</b>							
	W124	145	M104.942		07.93 -> 06.95		250-24034
	W210	142	M104.942		01.96 -> 06.97		250-24141
			M104.945		01.96 -> 06.97	Pre cat Left	250-24387
			M104.945		01.96 -> 06.97	Pre cat Right	250-24387
			M104.945		01.96 -> 06.97	Post cat Left	250-24387
			M104.945		01.96 -> 06.97	Post cat Right	250-24143
	W210	150	M112.921		12.96 -> 06.99		250-24141
			M112.921	RH drive Only	06.99 -> 06.00	Pre cat Left	250-24387
			M112.921	RH drive Only	06.99 -> 06.00	Pre cat Right	250-24387
			M112.921	RH drive Only	06.99 -> 06.00	Post cat Left	250-24387
			M112.921	RH drive Only	06.99 -> 06.00	Post cat Right	250-24143
			M112.921		06.00 -> 03.02	Pre cat Left	250-24469
			M112.921		06.00 -> 03.02	Pre cat Right	250-24468
			M112.921		02.00 -> 03.02	Post cat Left	250-24469
			M112.921		02.00 -> 03.02	Post cat Right	250-24469
			M112.921	RH drive Only	06.00 -> 03.02	Pre cat Left	250-24468
			M112.921	RH drive Only	06.00 -> 03.02	Pre cat Right	250-24468
			M112.921	RH drive Only	02.00 -> 03.02	Post cat Left	250-24469
			M112.921	RH drive Only	02.00 -> 03.02	Post cat Right	250-24469



Model / Liter	Body Code	kW	Engine Code	Application Identifier Engine or Chassis	Year From→ To	Position	Walker Direct Fit
<b>MERCEDES BENZ (cont'd)</b>							
<b>E-CLASS (cont'd)</b>							
<b>E 280 (cont'd)</b>							
	W211	170	M272.943		06.05 ->	Pre cat Left	250-25043
			M272.943		06.05 ->	Pre cat Right	250-25043
			M272.943		06.05 ->	Post cat Left	250-24686
			M272.943		06.05 ->	Post cat Right	250-24686
<b>E 280 4-matic</b>							
	W210	150	M112.921		12.96 -> 03.02	Pre cat Left	250-24387
			M112.921		12.96 -> 03.02	Pre cat Right	250-24387
	W211	170	M272.943		01.06 ->	Pre cat Left	250-25045
			M272.943		01.06 ->	Pre cat Right	250-25045
			M272.943		01.06 ->	Post cat Left	250-24469
			M272.943		01.06 ->	Post cat Right	250-24469
<b>E 280 CDI</b>							
	W211	130	OM648.961		05.04 -> 05.05	Post cat	250-25042
	W211	140	OM642.920		04.06 ->	Post cat	250-25043
<b>E 280 CDI 4-matic</b>							
	W211	140	OM642.921		06.05 ->	Post cat	250-25043
<b>E 280 long</b>							
	W124	142	M104.942		07.93 -> 06.95		250-24034
<b>E 300 4-matic</b>							
	W124	132	M103.985		07.93 -> 06.95		250-23067
<b>E 300 BLUETEC</b>							
	W211	155	642 920		09.07 ->	Post cat	250-25043
<b>E 320</b>							
	W124	162	M104.992		07.93 -> 06.95		250-24034
	W210	162	M104.995		06.95 -> 06.97		250-24141
			M104.995		06.97 -> 06.99		250-24141
			M112.941		06.97 -> 06.00	Pre cat Left	250-24387
			M112.941		06.97 -> 06.00	Pre cat Right	250-24387
			M112.941	RH drive Only	06.97 -> 06.00	Pre cat Left	250-24387
			M112.941	RH drive Only	06.97 -> 06.00	Pre cat Right	250-24387
			M112.941		06.97 -> 06.00	Pre cat Left	250-24143
			M112.941		06.00 -> 03.02	Pre cat Left	250-24469
			M112.941		02.00 -> 03.02	Pre cat Right	250-24468
			M112.941		02.00 -> 03.02	Post cat Left	250-24469
			M112.941		02.00 -> 03.02	Post cat Right	250-24469
			M112.941	RH drive Only	06.00 -> 03.02	Pre cat Left	250-24468
			M112.941	RH drive Only	06.00 -> 03.02	Pre cat Right	250-24468
			M112.941	RH drive Only	02.00 -> 03.02	Post cat Left	250-24469
			M112.941	RH drive Only	02.00 -> 03.02	Post cat Right	250-24469
	W211	165	M112.949		03.02 ->	Pre cat Left	250-24469
			M112.949		03.02 ->	Pre cat Right	250-24469
			M112.949		03.02 ->	Post cat Left	250-24465
			M112.949		03.02 ->	Post cat Right	250-24465
<b>E 320 4-matic</b>							
	W210	165	M112.941		06.97 -> 06.99	Pre cat Left	250-24387
			M112.941		06.97 -> 06.99	Pre cat Right	250-24387
			M112.941	RH drive Only	06.97 -> 06.99	Pre cat Left	250-24387
			M112.941	RH drive Only	06.97 -> 06.99	Pre cat Right	250-24143
	W211	165	M112.954		03.03 -> 03.06	Pre cat Left	250-24468
			M112.954		03.03 -> 03.06	Pre cat Right	250-24468
			M112.954		03.03 -> 03.06	Post cat Left	250-24465
			M112.954		03.03 -> 03.06	Post cat Right	250-24465
<b>E 320 CDI</b>							
	W211	150	OM648.961		11.02 -> 05.05	Post cat	250-25042
	W211	165	OM642.920		04.06 ->	Post cat	250-25043
<b>E 320 CDI 4-matic</b>							
	W211	165	OM642.910		06.05 ->	Post cat	250-25043
<b>E 350</b>							
	W211	200	M 272.964		03.05 ->	Pre cat Left	250-25043
			M 272.964		03.05 ->	Pre cat Right	250-25043
			M 272.964		03.05 ->	Post cat Left	250-24686
			M 272.964		03.05 ->	Post cat Right	250-24686
<b>E 350 4-matic</b>							
	W211	200	M272.964, M272.972		03.05 ->	Pre cat Left	250-25045
			M272.964, M272.972		03.05 ->	Pre cat Right	250-25045
			M272.964, M272.972		03.05 ->	Post cat Left	250-24469
			M272.964, M272.972		03.05 ->	Post cat Right	250-24469



Model / Liter	Body Code	Engine kW	Engine Code	Application Identifier Engine or Chassis	Year From→ To	Position	Walker Direct Fit
<b>MERCEDES BENZ (cont'd)</b>							
<b>E-CLASS (cont'd)</b>							
<b>E 420</b>							
	W124	205	M119.975		07.93 -> 06.95	Pre cat	250-24038
	W210	205	M119.985		01.96 -> 06.97	Pre cat Left	250-24387
			M119.985		01.96 -> 06.97	Pre cat Right	250-24387
<b>E 420 CDI</b>							
	W211	231	OM629.910		04.06 ->	Post cat	250-25043
<b>E 430</b>							
	W210	205	M113.940		09.97 -> 06.00	Pre cat Left	250-24387
			M113.940		09.97 -> 06.00	Pre cat Right	250-24387
			M113.940	RH drive Only	09.97 -> 06.00	Pre cat Left	250-24387
			M113.940	RH drive Only	09.97 -> 06.00	Pre cat Right	250-24143
			M113.940		06.00 -> 03.02	Pre cat Left	250-24469
			M113.940		06.00 -> 03.02	Pre cat Right	250-24468
			M113.940		06.97 -> 03.02	Post cat Left	250-24469
			M113.940		02.00 -> 03.02	Post cat Right	250-24469
			M113.940	RH drive Only	06.00 -> 03.02	Pre cat Left	250-24468
			M113.940	RH drive Only	06.00 -> 03.02	Pre cat Right	250-24468
			M113.940	RH drive Only	06.97 -> 03.02	Post cat Left	250-24469
			M113.940	RH drive Only	02.00 -> 03.02	Post cat Right	250-24469
<b>E 430 4-matic</b>							
	W210	205	M113.940		06.99 -> 06.00	Pre cat Left	250-24387
			M113.940		06.99 -> 06.00	Pre cat Right	250-24387
			M113.940		06.00 -> 03.02	Pre cat Left	250-24469
			M113.940		06.00 -> 03.02	Pre cat Right	250-24468
			M113.940		02.00 -> 03.02	Post cat Left	250-24469
			M113.940		02.00 -> 03.02	Post cat Right	250-24469
<b>E 500</b>							
	W124	235	M119.974	Fr Ch. No. B565714, To Ch. No. B840528	06.93 -> 06.95		250-24038
			M119.974	Fr Ch. No. B840529	06.93 -> 06.95		250-24674
			M113.967		03.02 ->	Pre cat Left	250-24469
			M113.967		03.02 ->	Pre cat Right	250-24469
			M113.967		03.02 ->	Post cat Left	250-24465
			M113.967		03.02 ->	Post cat Right	250-24465
	W211	285	M273.960		04.06 ->	Pre cat Left	250-25043
			M273.960		04.06 ->	Pre cat Right	250-25043
			M273.960		04.06 ->	Post cat Left	250-24686
			M273.960		04.06 ->	Post cat Right	250-24686
<b>E 500 4-matic</b>							
	W211	225	M113.969		10.03 -> 03.06	Pre cat Left	250-24468
			M113.969		10.03 -> 03.06	Pre cat Right	250-24468
			M113.969		10.03 -> 03.06	Post cat Left	250-24465
			M113.969		10.03 -> 03.06	Post cat Right	250-24465
	W211	285	M273.962		04.06 ->	Pre cat Left	250-25045
			M273.962		04.06 ->	Pre cat Right	250-25045
			M273.962		04.06 ->	Post cat Left	250-24469
			M273.962		04.06 ->	Post cat Right	250-24469
<b>E200 NGT</b>							
	W211	120	M271.941		04.06 -> 04.07	Pre cat	250-25003
			M271.941		04.06 ->	Post cat	250-24468
<b>E-CLASS Convertible</b>							
<b>E 36 AMG</b>							
	A124	200	M104.992		05.94 -> 03.98		250-24034
<b>E 200</b>							
	A124	100	M111.940		07.93 -> 03.98		250-24792
			M111.940	RH drive Only	07.93 -> 03.98		250-24034
<b>E 220</b>							
	A124	110	M111.960		07.93 -> 03.98		250-24792
			M111.960	RH drive Only	07.93 -> 03.98		250-24034
<b>E 320</b>							
	A124	162	M104.992		06.93 -> 03.98		250-24034
<b>E-CLASS Coupe</b>							
<b>E 36 AMG</b>							
	C124	195	M104.992		05.94 -> 04.95		250-24034
	C124	200	M104.992		05.94 -> 06.97		250-24034



Model / Liter	Body Code	Engine kW	Engine Code	Application Identifier Engine or Chassis	Year From→ To	Position	Walker Direct Fit
<b>MERCEDES BENZ (cont'd)</b>							
<b>E-CLASS Coupe (cont'd)</b>							
<b>E 200</b>							
	C124	100	M111.940	RH drive Only	06.93 -> 06.97		250-24792
			M111.940		06.93 -> 06.97		250-24034
	C124	110	M111.940		07.93 -> 06.97		250-24792
			M111.940		07.93 -> 06.97		250-24034
<b>E 320</b>							
	C124	162	M104.992		07.93 -> 06.97		250-24034
<b>E-CLASS Estate T-MODEL</b>							
<b>E 36 T AMG</b>							
	S124	200	M104.992		05.94 -> 05.96		250-24034
<b>E 55 T AMG</b>							
	S210	260	M113.980	RH drive Only	08.97 -> 06.99	Pre cat Left	250-24387
			M113.980		08.97 -> 06.99	Pre cat Right	250-24387
			M113.980		08.97 -> 06.99	Post cat Left	250-24387
			M113.980		08.97 -> 06.99	Post cat Right	250-24143
<b>E 55 T AMG Kompressor</b>							
	S211	350	M113.990		07.03 -> 03.06	Pre cat Left	250-24469
			M113.990		07.03 -> 03.06	Pre cat Right	250-24469
			M113.990		07.03 -> 03.06	Post cat Left	250-24465
			M113.990		07.03 -> 03.06	Post cat Right	250-24465
<b>E 63 AMG</b>							
	S211	378	M156.983		03.06 ->	Pre cat Left	250-25043
			M156.983		03.06 ->	Pre cat Right	250-25043
			M156.983		03.06 ->	Post cat Left	250-24686
			M156.983		03.06 ->	Post cat Right	250-24686
<b>E 200 Kompressor</b>							
	S211	135	M271.956		04.06 ->	Pre cat	250-25003
			M271.956		04.06 ->	Post cat	250-24468
<b>E 200 T</b>							
	S124	100	M111.940	RH drive Only	07.93 -> 02.96		250-24792
			M111.940		07.93 -> 06.96		250-24034
	S210	100	M111.942		06.96 -> 08.00		250-24412
<b>E 200 T Kompressor</b>							
	S210	137	M111.947		06.97 -> 03.03		250-24412
	S210	120	M111.957		08.00 -> 03.03	Pre cat	250-24468
			M111.957		08.00 -> 03.03	Post cat	250-24469
	S211	120	M271.941		03.03 -> 03.06	Pre cat	250-25003
			M271.941	03.03 -> 03.06	Post cat	250-24468	
<b>E 220 CDI</b>							
	S211	100	OM646.820		03.03 ->	Post cat	250-25045
<b>E 220 T</b>							
	S124	110	M111.960		07.93 -> 05.96		250-24034
<b>E 220 T CDI</b>							
	S211	110	OM646.961	RH drive Only	03.03 -> 05.05	Post cat	250-25042
			OM646.961		03.03 -> 03.06	Post cat	250-25045
	S211	125	OM646.821		04.06 ->	Post cat	250-25045
<b>E 230 T</b>							
	S210	110	M111.970	RH drive Only	06.96 -> 06.97		250-24143
	S210	125	M112.911		06.97 -> 06.00	Pre cat Left	250-24387
			M112.911		06.97 -> 06.00	Pre cat Right	250-24387
			M112.911		06.97 -> 06.00	Pre cat Left	250-24387
			M112.911		06.97 -> 06.00	Pre cat Right	250-24143
			M112.911		06.00 -> 03.03	Pre cat Left	250-24469
			M112.911		06.00 -> 03.03	Pre cat Right	250-24468
			M112.911		02.00 -> 03.03	Post cat Left	250-24469
			M112.911		02.00 -> 03.03	Post cat Right	250-24469
			M112.914		08.00 -> 03.03	Pre cat Left	250-24468
			M112.914		08.00 -> 03.03	Pre cat Right	250-24468
			M112.914		08.00 -> 03.03	Post cat Left	250-24469
			M112.914		08.00 -> 03.03	Post cat Right	250-24469
	S211	130	M112.913		03.03 -> 05.05	Pre cat Left	250-24469
			M112.913		03.03 -> 05.05	Pre cat Right	250-24469
			M112.913		03.03 -> 05.05	Post cat Left	250-24465
			M112.913	03.03 -> 05.05	Post cat Right	250-24465	





Model / Liter	Body Code	Engine kW	Engine Code	Application Identifier Engine or Chassis	Year From→ To	Position	Walker Direct Fit
<b>MERCEDES BENZ (cont'd)</b>							
<b>E-CLASS Estate T-MODEL (cont'd)</b>							
<b>E 240 T 4-matic</b>							
	S211	130	M112.917		07.03 -> 06.05	Pre cat Left	250-24468
			M112.917		07.03 -> 06.05	Pre cat Right	250-24468
			M112.917		07.03 -> 06.05	Post cat Left	250-24465
			M112.917		07.03 -> 06.05	Post cat Right	250-24465
<b>E 280 T</b>							
	S124	142	M104.942		07.93 -> 05.96		250-24034
	S124	145	M104.942		07.93 -> 05.96		250-24034
	S210	150	M112.921		12.96 -> 06.00	Pre cat Left	250-24468
			M112.921		12.96 -> 06.00	Pre cat Right	250-24468
			M112.921	RH drive Only	12.96 -> 06.00	Pre cat Left	250-24468
			M112.921	RH drive Only	12.96 -> 06.00	Pre cat Right	250-24468
			M112.921		06.00 -> 03.03	Pre cat Left	250-24469
			M112.921		06.00 -> 03.03	Pre cat Right	250-24468
			M112.921		02.00 -> 03.03	Post cat Left	250-24469
			M112.921		02.00 -> 03.03	Post cat Right	250-24469
			M112.921	RH drive Only	06.00 -> 03.03	Pre cat Left	250-24468
			M112.921	RH drive Only	06.00 -> 03.03	Pre cat Right	250-24468
			M112.921	RH drive Only	02.00 -> 03.03	Post cat Left	250-24469
			M112.921	RH drive Only	02.00 -> 03.03	Post cat Right	250-24469
	S211	170	M272.943		06.05 ->	Pre cat Left	250-25043
			M272.943		06.05 ->	Pre cat Right	250-25043
			M272.943		06.05 ->	Post cat Left	250-24686
			M272.943		06.05 ->	Post cat Right	250-24686
<b>E 280 T 4-matic</b>							
	S210	150	M 112.921		12.96 -> 06.99	Pre cat Left	250-24387
			M 112.921		12.96 -> 06.99	Pre cat Right	250-24387
	S211	170	M272.943		07.05 ->	Pre cat Left	250-25045
			M272.943		07.05 ->	Pre cat Right	250-25045
			M272.944		07.05 ->	Post cat Left	250-24469
			M272.944		07.05 ->	Post cat Right	250-24469
<b>E 280 T CDI</b>							
	S211	130	OM648.961		05.04 -> 05.05	Post cat	250-25042
	S211	140	OM642.920		06.05 ->	Post cat	250-25043
<b>E 280 T CDI 4-matic</b>							
	S211	140	OM642.921		04.06 ->	Post cat	250-25043
<b>E 320 T</b>							
	S124	162	M104.992		07.93 -> 02.96		250-24034
	S210	165	M112.941		12.96 -> 06.00	Pre cat Left	250-24387
			M112.941		12.96 -> 06.00	Pre cat Right	250-24387
			M112.941	RH drive Only	12.96 -> 06.00	Pre cat Left	250-24387
			M112.941	RH drive Only	12.96 -> 06.00	Pre cat Right	250-24143
			M112.941		06.00 -> 03.03	Pre cat Left	250-24469
			M112.941		06.00 -> 03.03	Pre cat Right	250-24468
			M112.941		02.00 -> 03.03	Post cat Left	250-24469
			M112.941		06.00 -> 03.03	Post cat Right	250-24469
			M112.941	RH drive Only	06.00 -> 03.03	Pre cat Left	250-24468
			M112.941	RH drive Only	06.00 -> 03.03	Pre cat Right	250-24468
			M112.941	RH drive Only	02.00 -> 03.03	Post cat Left	250-24469
			M112.941	RH drive Only	06.00 -> 03.03	Post cat Right	250-24469
	S211	165	M112.949		03.03 -> 03.06	Pre cat Left	250-24469
			M112.949		03.03 -> 03.06	Pre cat Right	250-24469
			M112.949		03.03 -> 03.06	Post cat Left	250-24465
			M112.949		03.03 -> 03.06	Post cat Right	250-24465
<b>E 320 T 4-matic</b>							
	S210	165	M112.941		12.96 -> 06.99	Pre cat Left	250-24387
			M112.941		12.96 -> 06.99	Pre cat Right	250-24387
			M112.941	RH drive Only	12.96 -> 06.99	Pre cat Left	250-24387
			M112.941	RH drive Only	12.96 -> 06.99	Pre cat Right	250-24143
	S211	165	M 112.954		07.03 -> 03.06	Pre cat Left	250-24468
			M 112.954		07.03 -> 03.06	Pre cat Right	250-24468
			M 112.954		07.03 -> 03.06	Post cat Left	250-24465
			M 112.954		07.03 -> 03.06	Post cat Right	250-24465
<b>E 320 T CDI</b>							
	S211	150	OM648.961		03.03 -> 05.05	Post cat	250-25042
	S211	165	OM642.920		06.05 ->	Post cat	250-25043
<b>E 320 T CDI 4-matic</b>							
	S211	165	OM642.920		06.05 ->	Post cat	250-25043



Model / Liter	Body Code	Engine kW	Engine Code	Application Identifier Engine or Chassis	Year From → To	Position	Walker Direct Fit
<b>MERCEDES BENZ (cont'd)</b>							
<b>E-CLASS Estate T-MODEL (cont'd)</b>							
<b>E 350 T</b>							
	S211	200	M272.964		03.05 ->	Pre cat Left	250-25043
			M272.964		03.05 ->	Pre cat Right	250-25043
			M272.964		03.05 ->	Post cat Left	250-24686
			M272.964		03.05 ->	Post cat Right	250-24686
<b>E 350 T 4-matic</b>							
	S211	200	M272.964, M272.972		03.05 ->	Pre cat Left	250-25045
			M272.964, M272.972		03.05 ->	Pre cat Right	250-25045
			M272.964, M272.972		03.05 ->	Post cat Left	250-24469
			M272.964, M272.972		03.05 ->	Post cat Right	250-24469
<b>E 420 T</b>							
	S210	205	M119.985		06.96 -> 06.97	Pre cat Left	250-24387
			M119.985		06.96 -> 06.97	Pre cat Right	250-24387
<b>E 430 T</b>							
	S210	205	M113.940		06.97 -> 06.00	Pre cat Left	250-24387
			M113.940		06.97 -> 06.00	Pre cat Right	250-24387
			M113.940	RH drive Only	06.97 -> 06.00	Pre cat Left	250-24387
			M113.940	RH drive Only	06.97 -> 06.00	Pre cat Right	250-24143
			M113.940		06.00 -> 03.03	Pre cat Left	250-24469
			M113.940		06.00 -> 03.03	Pre cat Right	250-24468
			M113.940		02.00 -> 03.03	Post cat Left	250-24469
			M113.940		02.00 -> 03.03	Post cat Right	250-24469
			M113.940	RH drive Only	06.00 -> 03.03	Pre cat Left	250-24468
			M113.940	RH drive Only	06.00 -> 03.03	Pre cat Right	250-24468
			M113.940	RH drive Only	02.00 -> 03.03	Post cat Left	250-24469
			M113.940	RH drive Only	02.00 -> 03.03	Post cat Right	250-24469
<b>E 430 T 4-matic</b>							
	S210	205	M113.940		06.99 -> 06.00	Pre cat Left	250-24387
			M113.940		06.99 -> 06.00	Pre cat Right	250-24387
			M113.940		06.00 -> 03.03	Pre cat Left	250-24469
			M113.940		06.00 -> 03.03	Pre cat Right	250-24468
			M113.940		02.00 -> 03.03	Post cat Left	250-24469
			M113.940		06.00 -> 03.03	Post cat Right	250-24469
<b>E 500 T</b>							
	S211	225	M113.967		10.03 -> 03.06	Pre cat Left	250-24469
			M113.967		10.03 -> 03.06	Pre cat Right	250-24469
			M113.967		10.03 -> 03.06	Post cat Left	250-24465
			M113.967		10.03 -> 03.06	Post cat Right	250-24465
	S211	285	M273.960		04.06 ->	Pre cat Left	250-25043
			M273.960		04.06 ->	Pre cat Right	250-25043
			M273.960		04.06 ->	Post cat Left	250-24686
			M273.960		04.06 ->	Post cat Right	250-24686
<b>E 500 T 4-matic</b>							
	S211	225	M113.969		10.03 -> 03.06	Pre cat Left	250-24468
			M113.969		10.03 -> 03.06	Pre cat Right	250-24468
			M113.969		10.03 -> 03.06	Post cat Left	250-24465
			M113.969		10.03 -> 03.06	Post cat Right	250-24465
	S211	285			04.06 ->	Pre cat Left	250-25045
					04.06 ->	Pre cat Right	250-25045
					04.06 ->	Post cat Left	250-24469
					04.06 ->	Post cat Right	250-24469
<b>G-CLASS</b>							
<b>55 AMG</b>							
	W463	350	M113.982		06.04 ->	Pre cat Left	250-24469
			M113.982		06.04 ->	Pre cat Right	250-24469
			M113.982		06.04 ->	Post cat Left	250-24468
			M113.982		06.04 ->	Post cat Right	250-24468
	W463	260	M113.982		04.99 ->	Pre cat Left	250-24469
			M113.982		04.99 ->	Pre cat Right	250-24469
			M113.982		04.99 ->	Post cat Left	250-24468
			M113.982		04.99 ->	Post cat Right	250-24468
<b>230 GE</b>							
	W461	92	M102.996		06.93 -> 09.95		250-23000
	W461	90	M102.979		02.93 -> 09.95		250-23000



Model / Liter	Body Code	Engine kW	Engine Code	Application Identifier Engine or Chassis	Year From→ To	Position	Walker Direct Fit
<b>MERCEDES BENZ (cont'd)</b>							
<b>G-CLASS (cont'd)</b>							
<b>G 320</b>							
	W463	155	M104.996	Fr Ch. No. 099905, 911574	09.94 -> 12.97	Pre cat	250-24141
			M112.945		07.97 -> 11.97	Pre cat Left	250-24387
			M112.945		07.97 -> 11.97	Pre cat Right	250-24387
			M112.945		07.97 -> 11.97	Post cat Left	250-24468
			M112.945		07.97 -> 11.97	Post cat Right	250-24468
			M112.945		11.97 ->	Pre cat Left	250-24469
			M112.945		11.97 ->	Pre cat Right	250-24469
			M112.945		11.97 ->	Post cat Left	250-24468
			M112.945		11.97 ->	Post cat Right	250-24468
<b>G 500</b>							
	W463	218	M113.962		04.98 ->	Pre cat Left	250-24469
			M113.962		04.98 ->	Pre cat Right	250-24469
			M113.962		04.98 ->	Post cat Left	250-24468
			M113.962		04.98 ->	Post cat Right	250-24468
<b>GL 320 CDI</b>							
	X164	165	OM642.940		09.06 ->	Post cat	250-25043
<b>GL 420 CDI</b>							
	X164	225	OM629.912		09.06 ->	Post cat	250-25045
<b>GL 450</b>							
	X164	250	M273.923		09.06 ->	Pre cat Left	250-25043
			M273.923		09.06 ->	Pre cat Right	250-25043
			M273.923		09.06 ->	Post cat Left	250-24686
			M273.923		09.06 ->	Post cat Right	250-24686
<b>GL 500</b>							
	X164	285	M273.963		09.06 ->	Pre cat Left	250-25043
			M273.963		09.06 ->	Pre cat Right	250-25043
			M273.963		09.06 ->	Post cat Left	250-24686
			M273.963		09.06 ->	Post cat Right	250-24686
<b>M-CLASS</b>							
<b>ML 55 AMG</b>							
	W163	255	M113.981		02.00 -> 06.05	Pre cat Left	250-24609
			M113.981		02.00 -> 06.05	Pre cat Right	250-24609
			M113.981		02.00 -> 06.05	Post cat Left	250-24609
			M113.981		02.00 -> 06.05	Post cat Right	250-24609
<b>ML 63 AMG 4-matic</b>							
	W164	375	M156.980		04.06 ->	Pre cat Left	250-25043
			M156.980		04.06 ->	Pre cat Right	250-25043
			M156.980		04.06 ->	Post cat Left	250-24686
			M156.980		04.06 ->	Post cat Right	250-24686
<b>ML 230</b>							
	W163	110	M111.977		02.98 -> 06.05		250-24143
<b>ML 280 CDI 4-matic</b>							
	W164	140	OM642.940		07.05 ->	Post cat	250-25043
<b>ML 320</b>							
	W163	160	M112.942		02.98 -> 09.00	Pre cat Left	250-24609
			M112.942		02.98 -> 09.00	Pre cat Right	250-24609
			M112.942		02.98 -> 09.00	Post cat Left	250-24609
			M112.942		02.98 -> 09.00	Post cat Right	250-24609
	W163	160	M112.942		09.00 -> 08.02	Pre cat Left	250-24469
			M112.942		09.00 -> 08.02	Pre cat Right	250-24469
			M112.942		09.00 -> 08.02	Post cat Left	250-24469
			M112.942		09.00 -> 08.02	Post cat Right	250-24469
<b>ML 320 CDI 4-matic</b>							
	W164	165	OM642.940		07.05 ->	Post cat	250-25043
<b>ML 350</b>							
	W163	173	M112.970		02.03 -> 06.05	Pre cat	250-24469
			M112.970		02.03 -> 06.05	Post cat	250-24469
	W163	180	M112.970		08.02 -> 06.05	Pre cat Left	250-24469
			M112.970		08.02 -> 06.05	Pre cat Right	250-24469
			M112.970		08.02 -> 06.05	Post cat Left	250-24469
			M112.970		08.02 -> 06.05	Post cat Right	250-24469
<b>ML 350 4-matic</b>							
	W164	200	M272.967		07.05 ->	Pre cat Left	250-25043
			M272.967		07.05 ->	Pre cat Right	250-25043
			M272.967		07.05 ->	Post cat Left	250-24686
			M272.967		07.05 ->	Post cat Right	250-24686



Model / Liter	Body Code	kW	Engine Code	Application Identifier Engine or Chassis	Year From→ To	Position	Walker Direct Fit
<b>MERCEDES BENZ (cont'd)</b>							
<b>M-CLASS (cont'd)</b>							
<b>ML 420 CDI 4-matic</b>							
	W164	225	OM629.912		04.06 ->	Pre cat Left	250-25045
			OM629.912		04.06 ->	Pre cat Right	250-25045
<b>ML 430</b>							
	W163	200	M113.942		09.00 -> 06.05	Pre cat Left	250-24469
			M113.942		09.00 => 06.05	Pre cat Right	250-24469
			M113.942		09.00 -> 06.05	Post cat Left	250-24469
			M113.942		09.00 -> 06.05	Post cat Right	250-24469
			M113.942		03.98 -> 09.00	Pre cat Left	250-24609
			M113.942		03.98 -> 09.00	Pre cat Right	250-24609
			M113.942		03.98 -> 09.00	Post cat Left	250-24609
			M113.942		03.98 -> 09.00	Post cat Right	250-24609
<b>ML 500</b>							
	W163	215	M113.964, M113.965		09.01 -> 06.05	Pre cat Left	250-24469
			M113.964, M113.965		09.01 -> 06.05	Pre cat Right	250-24469
			M113.964, M113.965		09.01 -> 06.05	Post cat Left	250-24469
			M113.964, M113.965		09.01 -> 06.05	Post cat Right	250-24469
<b>ML 500 4-matic</b>							
	W164	225	M113.964		07.05 ->	Pre cat Left	250-24468
			M113.964		07.05 ->	Pre cat Right	250-24468
			M113.964		07.05 ->	Post cat Left	250-24465
			M113.964		07.05 ->	Post cat Right	250-24465
<b>R-CLASS</b>							
<b>R 63 AMG</b>							
	W251	375	M156.980		04.06 ->	Pre cat Left	250-25043
			M156.980		04.06 ->	Pre cat Right	250-25043
			M156.980		04.06 ->	Post cat Left	250-24686
			M156.980		04.06 ->	Post cat Right	250-24686
<b>R 280 CDI 4-matic</b>							
	W251	140	OM642.950		05.06 ->		250-25043
<b>R 320 CDI 4-matic</b>							
	W251	165	OM642.950		01.06 ->		250-25043
<b>R 350 4-matic</b>							
	W251	200	M272.967		01.06 ->	Pre cat Left	250-25043
			M272.967		01.06 ->	Pre cat Right	250-25043
			M272.967		01.06 ->	Post cat Left	250-24686
			M272.967		01.06 ->	Post cat Right	250-24686
<b>R 500 4-matic</b>							
	W251	225	M113.971		01.06 ->	Pre cat Left	250-24468
			M113.971		01.06 ->	Pre cat Right	250-24468
			M113.971		01.06 ->	Post cat Left	250-24465
			M113.971		01.06 ->	Post cat Right	250-24465
<b>S-CLASS</b>							
<b>S 55 AMG</b>							
	W220	265	M113.986		01.00 -> 09.04	Pre cat Left	250-24469
			M113.986		01.00 -> 09.04	Pre cat Right	250-24469
			M113.986		01.00 -> 09.04	Post cat Left	250-24469
			M113.986		01.00 -> 09.04	Post cat Right	250-24469
<b>S 55 AMG Kompressor</b>							
	W220	368	M113.991		06.02 -> 09.04	Pre cat Left	250-24469
			M113.991		06.02 -> 09.04	Pre cat Right	250-24469
			M113.991		06.02 -> 09.04	Post cat Left	250-24469
			M113.991		06.02 -> 09.04	Post cat Right	250-24469
<b>S 65 AMG</b>							
	W220	450	M275.980		03.04 -> 09.04	Pre cat Left	250-24469
			M275.980		03.04 -> 09.04	Pre cat Right	250-24469
			M275.980		03.04 -> 09.04	Post cat Left	250-24469
			M275.980		03.04 -> 09.04	Post cat Right	250-24469
	W221	450	M275.982		04.06 ->	Pre cat Left	250-24469
			M275.982		04.06 ->	Pre cat Right	250-24469
			M275.982		04.06 ->	Post cat Left	250-24469
			M275.982		04.06 ->	Post cat Right	250-24469
<b>S 280</b>							
	W140	142	M104.944	To Ch. No. A290166	07.93 -> 10.98		250-24038
			M104.944	Fr Ch. No. A290167, To Ch. No. A328810	02.93 -> 10.98		250-24140
			M104.944	Fr Ch. No. A328811	02.93 -> 08.98		250-24610





Model / Liter	Body Code	Engine kW	Engine Code	Application Identifier Engine or Chassis	Year From→ To	Position	Walker Direct Fit
<b>MERCEDES BENZ (cont'd)</b>							
<b>S-CLASS (cont'd)</b>							
	W220	150	M112.922		03.99 -> 06.00	Pre cat Left	250-24610
			M112.922		03.99 -> 06.00	Pre cat Right	250-24610
			M112.922		03.99 -> 06.00	Post cat Left	250-24609
			M112.922		03.99 -> 06.00	Post cat Right	250-24609
			M112.922		06.00 -> 09.04	Pre cat Left	250-24469
			M112.922		06.00 -> 09.04	Pre cat Right	250-24469
			M112.922		06.00 -> 09.04	Post cat Left	250-24469
			M112.922		06.00 -> 09.04	Post cat Right	250-24469
<b>S 320</b>	W220	165	M112.944		10.98 -> 06.00	Pre cat Left	250-24610
			M112.944		10.98 -> 06.00	Pre cat Right	250-24610
			M112.944		10.98 -> 06.00	Post cat Left	250-24609
			M112.944		10.98 -> 06.00	Post cat Right	250-24609
			M112.944		06.00 -> 09.04	Pre cat Left	250-24469
			M112.944		06.00 -> 09.04	Pre cat Right	250-24469
			M112.944		06.00 -> 09.04	Post cat Left	250-24469
			M112.944		06.00 -> 09.04	Post cat Right	250-24469
<b>S 320 CDI</b>	W220	150	OM648.960		09.02 -> 09.04	Post cat	250-25042
	W221	173	OM642.930		01.06 ->		250-25042
			OM642.930	RH drive Only	01.06 ->		250-25043
<b>S 350</b>	W220	180	M112.972		09.02 -> 09.04	Pre cat Left	250-24469
			M112.972		09.02 -> 09.04	Pre cat Right	250-24469
			M112.972		09.02 -> 09.04	Post cat Left	250-24469
			M112.972		09.02 -> 09.04	Post cat Right	250-24469
	W221	200	M272.965		10.05 ->	Pre cat Left	250-25043
			M272.965		10.05 ->	Pre cat Right	250-25043
			M272.965		10.05 ->	Post cat Left	250-24686
			M272.965		10.05 ->	Post cat Right	250-24686
<b>S 350 4-matic</b>	W220	180	M112.975		06.03 -> 08.05	Pre cat Left	250-24469
			M112.975		06.03 -> 08.05	Pre cat Right	250-24469
			M112.975		06.03 -> 08.05	Post cat Left	250-24469
			M112.975		06.03 -> 08.05	Post cat Right	250-24469
<b>S 420</b>	W140	205	M119.971	To Ch. No. A290166	01.93 -> 10.98	Pre cat	250-24038
			M119.971	Fr Ch. No. A290167	01.93 -> 08.98	Pre cat Left	250-24610
			M119.971	Fr Ch. No. A290167	01.93 -> 08.98	Pre cat Right	250-24610
<b>S 430</b>	W220	205	M113.941		10.98 -> 06.00	Pre cat Left	250-24610
			M113.941		10.98 -> 06.00	Pre cat Right	250-24610
			M113.941		10.98 -> 06.00	Post cat Left	250-24609
			M113.941		10.98 -> 06.00	Post cat Right	250-24609
			M113.941		06.00 -> 09.04	Pre cat Left	250-24469
			M113.941		06.00 -> 09.04	Pre cat Right	250-24469
			M113.941		06.00 -> 09.04	Post cat Left	250-24469
			M113.941		06.00 -> 09.04	Post cat Right	250-24469
<b>S 430 4-matic</b>	W220	205	M113.948		09.02 -> 09.04	Pre cat Left	250-24469
			M113.948		09.02 -> 09.04	Pre cat Right	250-24469
			M113.948		09.02 -> 09.04	Post cat Left	250-24469
			M113.948		09.02 -> 09.04	Post cat Right	250-24469
<b>S 450</b>	W221	250	M273.923		01.06 ->	Pre cat Left	250-25043
			M273.923		01.06 ->	Pre cat Right	250-25043
			M273.923		01.06 ->	Post cat Left	250-24686
			M273.923		01.06 ->	Post cat Right	250-24686
<b>S 500</b>	W140	235	M119.970, M119.980;	To Ch. No. A290166	01.93 -> 10.98	Pre cat	250-24038
			M119.970, M119.980;	Fr Ch. No. A290167	01.93 -> 08.98	Pre cat Left	250-24610
			M119.970, M119.980;	Fr Ch. No. A290167	01.93 -> 08.98	Pre cat Right	250-24610
			M119.970, M119.980;	RH drive Only	01.93 -> 08.98	Pre cat Left	250-24387
			M119.970, M119.980;	RH drive Only	01.93 -> 08.98	Pre cat Right	250-24610



Model / Liter	Body Code	Engine kW	Engine Code	Application Identifier Engine or Chassis	Year From→ To	Position	Walker Direct Fit
<b>MERCEDES BENZ (cont'd)</b>							
<b>S-CLASS (cont'd)</b>							
<b>S 500 (cont'd)</b>							
	W220	225	M113.960		10.98 -> 06.00	Pre cat Left	250-24610
			M113.960		10.98 -> 06.00	Pre cat Right	250-24610
			M113.960		10.98 -> 06.00	Post cat Left	250-24609
			M113.960		10.98 -> 06.00	Post cat Right	250-24609
			M113.960		06.00 -> 09.04	Pre cat Left	250-24469
			M113.960		06.00 -> 09.04	Pre cat Right	250-24469
			M113.960		06.00 -> 09.04	Post cat Left	250-24469
			M113.960		06.00 -> 09.04	Post cat Right	250-24469
	W221	285	M273.961		10.05 ->	Pre cat Left	250-25043
			M273.961		10.05 ->	Pre cat Right	250-25043
			M273.961		10.05 ->	Post cat Left	250-24686
			M273.961		10.05 ->	Post cat Right	250-24686
<b>S 500 4-matic</b>							
	W220	225	M113.966		09.02 -> 09.04	Pre cat Left	250-24469
			M113.966		09.02 -> 09.04	Pre cat Right	250-24469
			M113.966		09.02 -> 09.04	Post cat Left	250-24469
			M113.966		09.02 -> 09.04	Post cat Right	250-24469
<b>S 600</b>							
	W140	290	M120.982, M120.980;	To Ch. No. A290166	07.93 -> 10.98	Pre cat Left	250-24038
			M120.982, M120.980;	To Ch. No. A290166	07.93 -> 10.98	Pre cat Right	250-24038
			M120.982, M120.980;	To Ch. No. A290166	01.93 -> 08.98	Pre cat Left	250-24609
			M120.982, M120.980;	To Ch. No. A290166	01.93 -> 08.98	Pre cat Right	250-24609
	W220	270	M137.970	2 Req'd	01.00 -> 09.04	Pre cat Left	250-24469
			M137.970	2 Req'd	01.00 -> 09.04	Pre cat Right	250-24469
			M137.970	2 Req'd	01.00 -> 09.04	Post cat Left	250-24469
			M137.970	2 Req'd	01.00 -> 09.04	Post cat Right	250-24469
	W220	368	M275.950		09.02 -> 09.04	Pre cat Left	250-24469
			M275.950		09.02 -> 09.04	Pre cat Right	250-24469
			M275.950		09.02 -> 09.04	Post cat Left	250-24469
			M275.950		09.02 -> 09.04	Post cat Right	250-24469
<b>S-CLASS Coupe</b>							
<b>CL 55 AMG</b>							
	C215	265	M113.986		10.99 -> 03.06	Pre cat Left	250-24469
			M113.986		10.99 -> 03.06	Pre cat Right	250-24469
			M113.986		10.99 -> 03.06	Post cat Left	250-24469
			M113.986		10.99 -> 03.06	Post cat Right	250-24469
<b>CL 55 AMG Kompressor</b>							
	C215	368	M113.991		09.02 -> 03.06	Pre cat Left	250-24469
			M113.991		09.02 -> 03.06	Pre cat Right	250-24469
			M113.991		09.02 -> 03.06	Post cat Left	250-24469
			M113.991		09.02 -> 03.06	Post cat Right	250-24469
<b>CL 65 AMG</b>							
	C215	450	M275.980		09.03 -> 03.06	Pre cat Left	250-24469
			M275.980		09.03 -> 03.06	Pre cat Right	250-24469
			M275.980		09.03 -> 03.06	Post cat Left	250-24469
			M275.980		09.03 -> 03.06	Post cat Right	250-24469
<b>CL 500</b>							
	C215	225	M113.960		08.99 -> 06.00	Pre cat Left	250-24610
			M113.960		08.99 -> 06.00	Pre cat Right	250-24610
			M113.960		08.99 -> 06.00	Post cat Left	250-24609
			M113.960		08.99 -> 06.00	Post cat Right	250-24609
			M113.960		06.00 -> 03.06	Pre cat Left	250-24469
			M113.960		06.00 -> 03.06	Pre cat Right	250-24469
			M113.960		06.00 -> 03.06	Post cat Left	250-24469
			M113.960		06.00 -> 03.06	Post cat Right	250-24469
<b>CL 600</b>							
	C215	270	M137.970		08.99 -> 03.06	Pre cat Left	250-24469
			M137.970		08.99 -> 03.06	Pre cat Right	250-24469
			M137.970		08.99 -> 03.06	Post cat Left	250-24469
			M137.970		08.99 -> 03.06	Post cat Right	250-24469
	C215	368	M275.950		09.02 -> 03.06	Pre cat Left	250-24469
			M275.950		09.02 -> 03.06	Pre cat Right	250-24469
			M275.950		09.02 -> 03.06	Post cat Left	250-24469
			M275.950		09.02 -> 03.06	Post cat Right	250-24469



Model / Liter	Body Code	Engine kW	Engine Code	Application Identifier Engine or Chassis	Year From→To	Position	Walker Direct Fit
<b>MERCEDES BENZ (cont'd)</b>							
<b>S-CLASS Coupe (cont'd)</b>							
<b>SEC / CL 420</b>							
	C140	205	M119.971	To Ch. No. A290166	10.94 -> 02.99	Pre cat	250-24610
			M119.971	Fr Ch. No. A290167	10.94 -> 02.99	Pre cat Left	250-24038
			M119.971	Fr Ch. No. A290167	10.94 -> 02.99	Pre cat Right	250-24610
<b>SEC / CL 500</b>							
	C140	235	M119.970, M119.980;	To Ch. No. A290167	10.92 -> 02.99		250-24038
			M119.970, M119.980;	Fr Ch. No. A290167	10.92 -> 02.99	Pre cat Left	250-24610
			M119.970, M119.980;	Fr Ch. No. A290167	10.92 -> 02.99	Pre cat Right	250-24610
			M119.970, M119.980;	RH drive Only	10.92 -> 02.99	Pre cat Left	250-24387
			M119.970, M119.980;	RH drive Only	10.92 -> 02.99	Pre cat Right	250-24610
<b>SEC / CL 600</b>							
	C140	290	M120.982, M120.980;	To Ch. No. A290166	09.92 -> 02.99	Pre cat Left	250-24038
			M120.982, M120.980;	To Ch. No. A290166	09.92 -> 02.99	Pre cat Right	250-24038
			M120.982, M120.980;	Fr Ch. No. A290167	09.92 -> 02.99	Pre cat Left	250-24609
			M120.982, M120.980;	Fr Ch. No. A290167	09.92 -> 02.99	Pre cat Right	250-24609
<b>S63 AMG</b>							
			156.984		01.08 -> 12.08	Pre cat Left	250-25045
			156.984		01.08 -> 12.08	Pre cat Right	250-25045
			156.984		01.08 -> 12.08	Post cat Left	250-24686
			156.984		01.08 -> 12.08	Post cat Right	250-24686
<b>SL SERIES</b>							
<b>55 AMG</b>							
	R230	350	M113.992		10.01 -> 06.02	Pre cat Left	250-24469
			M113.992		10.01 -> 06.02	Pre cat Right	250-24469
			M113.992		10.01 -> 06.02	Post cat Left	250-24465
			M113.992		10.01 -> 06.02	Post cat Right	250-24465
	R230	380			03.06 ->	Pre cat Left	250-24469
					03.06 ->	Pre cat Right	250-24469
					03.06 ->	Post cat Left	250-24465
					03.06 ->	Post cat Right	250-24465
<b>55 AMG Kompressor</b>							
	R230	368	M113.992		06.02 -> 12.05	Pre cat Left	250-24469
			M113.992		06.02 -> 12.05	Pre cat Right	250-24469
			M113.992		06.02 -> 12.05	Post cat Left	250-24465
			M113.992		06.02 -> 12.05	Post cat Right	250-24465
<b>65 AMG</b>							
	R230	450	M 275.981		03.04 ->	Pre cat Left	250-24469
			M 275.981		03.04 ->	Pre cat Right	250-24469
			M 275.981		03.04 ->	Post cat Left	250-24469
			M 275.981		03.04 ->	Post cat Right	250-24469
<b>280</b>							
	R129	142	M104.943	To Ch. No. F125157	08.93 -> 10.01		250-24038
			M104.943	Fr Ch. No. F125158, F127942	08.93 -> 10.01		250-24140
			M104.943	To Ch. No. F127941, F140421	08.93 -> 10.01		250-24140
			M104.943	Fr Ch. No. F140422	08.93 -> 07.01		250-24610
	R129	150	M112.923	Euro 4 (D4)	06.98 -> 08.01		250-24141
<b>320</b>							
	R129	170	M104.991	To Ch. No. F125157	09.93 -> 10.01		250-24038
			M104.991	Fr Ch. No. F125158, To Ch. No. F140421	09.93 -> 10.01		250-24140
			M104.991	Fr Ch. No. F140422	09.93 -> 07.01		250-24610
<b>350</b>							
	R230	180	M112.973		03.03 -> 10.05	Pre cat Left	250-24469
			M112.973		03.03 -> 10.05	Pre cat Right	250-24469
			M112.973		03.03 -> 10.05	Post cat Left	250-24466
			M112.973		03.03 -> 10.05	Post cat Right	250-24466
	R230	200	M272.966		03.06 ->	Pre cat Left	250-25043
			M272.966		03.06 ->	Pre cat Right	250-25043
			M272.966		03.06 ->	Post cat Left	250-24686
			M272.966		03.06 ->	Post cat Right	250-24686
<b>500</b>							
	R129	225	M113.961		06.98 -> 10.01		250-24141
			M119.982, M119.972;	To Ch. No. F125157	09.92 -> 10.01		250-24038
			M119.982, M119.972;	Fr Ch. No. F125158	09.92 -> 07.01	Pre cat Left	250-24143
			M119.982, M119.972;	Fr Ch. No. F125158	09.92 -> 07.01	Pre cat Right	250-24609



Model / Liter	Body Code	Engine kW	Engine Code	Application Identifier Engine or Chassis	Year From → To	Position	Walker Direct Fit
<b>MERCEDES BENZ (cont'd)</b>							
<b>SL SERIES (cont'd)</b>							
<b>500 (cont'd)</b>							
	R230	225	M113.963		10.01 -> 10.05	Pre cat Left	250-24469
			M113.963		10.01 -> 10.05	Pre cat Right	250-24469
			M113.963		10.01 -> 10.05	Post cat Left	250-24465
			M113.963		10.01 -> 10.05	Post cat Right	250-24465
	R230	285	M273.965		03.06 ->	Pre cat Left	250-25043
			M273.965		03.06 ->	Pre cat Right	250-25043
			M273.965		03.06 ->	Post cat Left	250-24686
			M273.965		03.06 ->	Post cat Right	250-24686
<b>600</b>							
	R129	290	M120.983, M120.981;	To Ch. No. F125157	07.92 -> 10.01	Pre cat Left	250-24038
			M120.983, M120.981;	To Ch. No. F125157	07.92 -> 10.01	Pre cat Right	250-24038
			M120.983, M120.981;	Fr Ch. No. F125158	07.92 -> 07.01	Post cat Left	250-24609
			M120.983, M120.981;	Fr Ch. No. F125158	07.92 -> 07.01	Post cat Right	250-24609
	R230	368	M275.951		04.03 -> 10.05	Pre cat Left	250-24469
			M275.951		04.03 -> 10.05	Pre cat Right	250-24469
			M275.951		04.03 -> 10.05	Post cat Left	250-24469
			M275.951		04.03 -> 10.05	Post cat Right	250-24469
	R230	380			03.06 ->	Pre cat Left	250-24469
					03.06 ->	Pre cat Right	250-24469
					03.06 ->	Post cat Left	250-24469
					03.06 ->	Post cat Right	250-24469
<b>SLK SERIES</b>							
<b>32 AMG Kompressor</b>							
	R170	260	M112.960		10.01 -> 12.03	Pre cat Left	250-24469
			M112.960		10.01 -> 12.03	Pre cat Right	250-24469
			M112.960		10.01 -> 12.03	Post cat Left	250-24469
			M112.960		10.01 -> 12.03	Post cat Right	250-24469
<b>55 AMG</b>							
	R171	265	M113.989		06.04 ->	Pre cat Left	250-24468
			M113.989		06.04 ->	Pre cat Right	250-24468
			M113.989		06.04 ->	Post cat Left	250-24466
			M113.989		06.04 ->	Post cat Right	250-24466
<b>200</b>							
	R170	100	M111.946	To Eng. No. 006646, 013735	09.96 -> 03.00		250-24140
			M111.946	Fr Eng. No. 006647, 013736	09.96 -> 03.00		250-24143
<b>200 Kompressor</b>							
	R170	120	M111.958		04.00 -> 12.03	Pre cat	250-24469
			M111.958		04.00 -> 12.03	Post cat	250-24469
	R170	141	M111.943		10.96 -> 06.98	Pre cat	250-24140
			M111.943		06.98 -> 03.00		250-24143
	R171	120	M271.944		03.04 ->	Pre cat	250-25003
			M271.944		03.04 ->	Post cat	250-24468
<b>230 Kompressor</b>							
	R170	142	M111.973	To Eng. No. 013520, 041031	09.96 -> 03.00	Pre cat	250-24140
			M111.973	Fr Eng. No. 013521, 041032	09.96 -> 03.00	Pre cat	250-24143
	R170	145	M111.983		03.00 -> 12.03	Pre cat	250-24469
			M111.983		03.00 -> 12.03	Post cat	250-24469
<b>280</b>							
	R171	170	M272.940		01.05 ->	Pre cat Left	250-25043
			M272.940		01.05 ->	Pre cat Right	250-25043
			M272.940		01.05 ->	Post cat Left	250-24686
			M272.940		01.05 ->	Post cat Right	250-24686
			M272.940	RH drive Only	01.05 ->	Pre cat Left	250-25043
			M272.940	RH drive Only	01.05 ->	Pre cat Right	250-25045
			M272.940	RH drive Only	01.05 ->	Post cat Left	250-24686
			M272.940	RH drive Only	01.05 ->	Post cat Right	250-24686
<b>320</b>							
	R170	160	M112.947		03.00 -> 12.03	Pre cat Left	250-24469
			M112.947		03.00 -> 12.03	Pre cat Right	250-24469
			M112.947		03.00 -> 12.03	Post cat Left	250-24469
			M112.947		03.00 -> 12.03	Post cat Right	250-24469





Model / Liter	Body Code	Engine kW	Engine Code	Application Identifier Engine or Chassis	Year From→To	Position	Walker Direct Fit
<b>MERCEDES BENZ (cont'd)</b>							
<b>SLK SERIES (cont'd)</b>							
<b>350</b>							
	R171	200	M272.963		06.04 ->	Pre cat Left	250-25043
			M272.963		06.04 ->	Pre cat Right	250-25043
			M272.963		06.04 ->	Post cat Left	250-24686
			M272.963		06.04 ->	Post cat Right	250-24686
			M272.963	RH drive Only	06.04 ->	Pre cat Left	250-25043
			M272.963	RH drive Only	06.04 ->	Pre cat Right	250-25045
			M272.963	RH drive Only	06.04 ->	Post cat Left	250-24686
			M272.963	RH drive Only	06.04 ->	Post cat Right	250-24686
<b>SLR MCLAREN</b>							
5.4	R199	460	M155.980		04.04 ->	Pre cat Left	250-24469
		460	M155.980		04.04 ->	Pre cat Right	250-24469
		460	M155.980		04.04 ->	Post cat Left	250-24465
		460	M155.980		04.04 ->	Post cat Right	250-24465
<b>SPRINTER</b>							
<b>209 CDI</b>							
Box	906	65	M646.984		06.06 ->	Post cat	250-25043
Flatbed / Chassis	906	65	OM646.984		06.06 ->	Post cat	250-25043
<b>211 CDI</b>							
Bus	906	80	OM646.985		06.06 ->	Post cat	250-25043
Box	906	80			06.06 ->	Post cat	250-25043
Flatbed / Chassis	906	80			06.06 ->	Post cat	250-25043
<b>214</b>							
Bus	901, 902	105	M111.979, M111.984		02.95 -> 05.06		250-24180
Box	901, 902	105	M111.979		02.95 -> 05.06		250-24180
Flatbed / Chassis	901, 902	105	M111.979		02.95 -> 05.06		250-24180
<b>214 NGT</b>							
Bus	901, 902	92	M111.984		04.00 -> 05.06	Pre cat	250-24143
	901, 902	92	M111.984		04.00 -> 05.06	Post cat	250-24610
Box	901, 902	92	M111.984		04.00 -> 05.06	Pre cat	250-24143
	901, 902	92	M111.984		04.00 -> 05.06	Post cat	250-24610
Flatbed / Chassis	901, 902	92			04.00 -> 05.06	Pre cat	250-24143
	901, 902	92			04.00 -> 05.06	Post cat	250-24610
<b>215 CDI</b>							
Bus	906	110			06.06 ->	Post cat	250-25043
Box	906	110			06.06 ->	Post cat	250-25043
Flatbed / Chassis	906	110			06.06 ->	Post cat	250-25043
<b>218 CDI</b>							
Box	906	135	OM642.992		06.06 ->	Post cat	250-25045
Flatbed / Chassis	906	135	M642.992		06.06 ->	Post cat	250-25045
<b>224</b>							
Bus	906	190	M272.979		06.06 ->	Pre cat Left	250-25045
			M272.979		06.06 ->	Pre cat Right	250-25043
			M272.979		06.06 ->	Post cat Left	250-24752
			M272.979		06.06 ->	Post cat Right	250-24752
Box	906	190	M272.979		06.06 ->	Pre cat Left	250-25045
			M272.979		06.06 ->	Pre cat Right	250-25043
			M272.979		06.06 ->	Post cat Left	250-24752
			M272.979		06.06 ->	Post cat Right	250-24752
Flatbed / Chassis	906	190	M272.979		06.06 ->	Pre cat Left	250-25045
			M272.979		06.06 ->	Pre cat Right	250-25043
			M272.979		06.06 ->	Post cat Left	250-24752
			M272.979		06.06 ->	Post cat Right	250-24752
<b>309 CDI</b>							
Box	906	65	OM646.984		06.06 ->	Post cat	250-25043
Flatbed / Chassis	906	65	M646.984		06.06 ->	Post cat	250-25043
<b>311 CDI</b>							
Bus	906	80			06.06 ->	Post cat	250-25043
Box	906	80			06.06 ->	Post cat	250-25043
Flatbed / Chassis	906	80			06.06 ->	Post cat	250-25043
<b>314</b>							
Bus	903	105	M111.979		02.95 -> 05.06		250-24180
Box	903	105	M111.979		02.95 -> 05.06		250-24180
Flatbed / Chassis	903	105	M111.979		02.95 -> 05.06		250-24180



Model / Liter	Body Code	Engine kW	Engine Code	Application Identifier Engine or Chassis	Year From→ To	Position	Walker Direct Fit
<b>MERCEDES BENZ (cont'd)</b>							
<b>SPRINTER (cont'd)</b>							
<b>314 4x4</b>							
Bus	903	105	M111.984		08.02 -> 05.06	Pre cat	250-24143
			M111.984		08.02 -> 05.06	Post cat	250-24610
Box	903	105	M111.984		08.02 -> 05.06	Pre cat	250-24143
			M111.979, M111.984		08.02 -> 05.06	Pre cat	250-24198
			M111.984		08.02 -> 05.06	Post cat	250-24610
Flatbed / Chassis	903	105	M111.979, M111.984		08.02 -> 05.06	Pre cat	250-24143
			M111.984		08.02 -> 05.06	Post cat	250-24610
<b>314 NGT</b>							
Bus	903	92	M111.984		04.00 -> 05.06	Pre cat	250-24143
			M111.984		04.00 -> 05.06	Post cat	250-24610
Flatbed / Chassis	903	92			04.00 -> 05.06	Pre cat	250-24143
					04.00 -> 05.06	Post cat	250-24610
<b>315 CDI</b>							
Bus	906	110			06.06 ->	Post cat	250-25043
Box	906	110			06.06 ->	Post cat	250-25043
Flatbed / Chassis	906	110			06.06 ->	Post cat	250-25043
<b>318 CDI</b>							
Box	906	135	OM642.992		06.06 ->	Post cat	250-25045
Flatbed / Chassis	906	135	OM642.992		06.06 ->	Post cat	250-25045
<b>324</b>							
Bus	906	190	M272.979		06.06 ->	Pre cat Left	250-25045
			M272.979		06.06 ->	Pre cat Right	250-25043
			M272.979		06.06 ->	Post cat Left	250-24752
			M272.979		06.06 ->	Post cat Right	250-24752
Box	906	190	M272.979		06.06 ->	Pre cat Left	250-25045
			M272.979		06.06 ->	Pre cat Right	250-25043
			M272.979		06.06 ->	Post cat Left	250-24752
			M272.979		06.06 ->	Post cat Right	250-24752
Flatbed / Chassis	906	190	M272.979		06.06 ->	Pre cat Left	250-25045
			M272.979		06.06 ->	Pre cat Right	250-25043
			M272.979		06.06 ->	Post cat Left	250-24752
			M272.979		06.06 ->	Post cat Right	250-24752
<b>414</b>							
Bus	904	105	M111.979, M111.984		02.96 -> 03.00		250-24180
Box	904	105	M111.979		02.96 -> 05.06		250-24180
Flatbed / Chassis	904	105	M111.979, M111.984		02.96 -> 05.06		250-24180
414 4x4							
Box	904	105	M111.979, M111.984		05.97 -> 03.00		250-24180
Flatbed / Chassis	904	105	M111.979, M111.984		05.97 -> 03.00		250-24180
<b>509 CDI</b>							
Box	906	65	OM646.984		06.06 ->	Post cat	250-25043
Flatbed / Chassis	906	65	OM646.984		06.06 ->	Post cat	250-25043
<b>511 CDI</b>							
Box	906	80			06.06 ->	Post cat	250-25043
Flatbed / Chassis	906	80			06.06 ->	Post cat	250-25043
<b>515 CDI</b>							
Box	906	110			06.06 ->	Post cat	250-25043
Flatbed / Chassis	906	110			06.06 ->	Post cat	250-25043
<b>518 CDI</b>							
Box	906	135	OM642.992		06.06 ->	Post cat	250-25045
Flatbed / Chassis	906	135	OM642.992		06.06 ->	Post cat	250-25045
<b>MERCURY</b>							
<b>GRAND MARQUIS</b>							
4.6			W		01.92 -> 12.95	Pre cat Left	250-24001
			W		01.92 -> 12.95	Pre cat Right	250-24001
			6, W		01.96 -> 12.97	Pre cat Left	250-24001
			6, W		01.96 -> 12.97	Pre cat Right	250-24001
			6, W		01.96 -> 12.97	Post cat Left	250-24001
			6, W		01.96 -> 12.97	Post cat Right	250-24001
			W		01.98 -> 12.98	Pre cat Left	250-24749
			W		01.98 -> 12.98	Pre cat Right	250-24719
			W		01.98 -> 12.98	Post cat Left	250-24001
			W		01.98 -> 12.98	Post cat Right	250-24001



Model / Liter	Body Code	Engine kW	Engine Code	Application Identifier Engine or Chassis	Year From→To	Position	Walker Direct Fit	
<b>MERCURY (cont'd)</b>								
<b>GRAND MARQUIS (cont'd)</b>								
4.6			V, W		01.99 -> 12.08	Pre cat Left	250-24302	
			V, W		01.99 -> 12.08	Pre cat Right	250-24302	
			V, W		01.99 -> 12.08	Post cat Left	250-24001	
			V, W		01.99 -> 12.08	Post cat Right	250-24001	
<b>MARINER</b>								
2.3			H	HYBRID Model	01.06 -> 12.06	Pre cat	250-24301	
			H	HYBRID Model	01.06 -> 12.06	Post cat	250-24001	
3.0			Z		01.05 -> 12.08	Pre cat	250-24301	
			Z		01.05 -> 12.08	Post cat	250-24001	
			1		01.05 -> 12.06	Pre cat Left	250-24302	
			1		01.05 -> 12.06	Pre cat Right	250-24749	
			1		01.05 -> 12.06	Post cat Left	250-24127	
			1		01.05 -> 12.06	Post cat Right	250-24127	
			1		01.07 -> 12.08	Pre cat Left	250-24749	
			1		01.07 -> 12.08	Pre cat Right	250-24749	
			1		01.07 -> 12.08	Post cat Left	250-24127	
			1		01.07 -> 12.08	Post cat Right	250-24127	
<b>MILAN</b>								
2.3			Z		01.06 -> 12.08	Pre cat	250-24301	
			Z		01.06 -> 12.08	Post cat	250-24001	
3.0			1		01.06 -> 12.07	Pre cat Left	250-24301	
			1		01.06 -> 12.07	Pre cat Right	250-24301	
			1		01.06 -> 12.07	Post cat Left	250-24001	
			1		01.06 -> 12.07	Post cat Right	250-24001	
			1	FWD		01.08 -> 12.08	Pre cat Left	250-24301
			1	FWD		01.08 -> 12.08	Pre cat Right	250-24001
			1	FWD		01.08 -> 12.08	Post cat Left	250-24001
			1	FWD		01.08 -> 12.08	Post cat Right	250-24127
			1	AWD		01.08 -> 12.08	Pre cat Left	250-24301
			1	AWD		01.08 -> 12.08	Pre cat Right	250-24301
			1	AWD		01.08 -> 12.08	Post cat Left	250-24001
			1	AWD		01.08 -> 12.08	Post cat Right	250-24001
<b>MONTEGO</b>								
3.0			1		01.05 -> 12.07	Pre cat Front	250-24302	
			1		01.05 -> 12.07	Pre cat Rear	250-24749	
			1		01.05 -> 12.07	Post cat Front	250-24001	
			1		01.05 -> 12.07	Post cat Rear	250-24001	
<b>MOUNTAINEER</b>								
4.0			E		01.98 -> 12.98	Pre cat Left	250-24127	
			E		01.98 -> 12.98	Pre cat Right	250-24001	
			E		01.98 -> 12.98	Post cat Left	250-24001	
			E		01.98 -> 12.98	Post cat Right	250-24001	
			E		01.99 -> 12.01	Pre cat Left	250-24701	
			E		01.99 -> 12.01	Pre cat Right	250-24701	
			E		01.99 -> 12.01	Post cat Left	250-24001	
			E		01.99 -> 12.01	Post cat Right	250-24001	
			E, K		01.02 -> 12.03	Pre cat Left	250-24749	
			E, K		01.02 -> 12.03	Pre cat Right	250-24749	
			E, K		01.02 -> 12.03	Post cat Left	250-24001	
			E, K		01.02 -> 12.03	Post cat Right	250-24001	
			E, K		01.04 -> 12.08	Pre cat Left	250-24701	
			E, K		01.04 -> 12.08	Pre cat Right	250-24701	
			E, K		01.04 -> 12.08	Post cat Left	250-24001	
			E, K		01.04 -> 12.08	Post cat Right	250-24001	
	4.6			W		01.02 -> 12.03	Pre cat Left	250-24749
				W		01.02 -> 12.03	Pre cat Right	250-24749
				W		01.02 -> 12.03	Post cat Left	250-24001
				W		01.02 -> 12.03	Post cat Right	250-24001
			8, W		01.04 -> 12.08	Pre cat Left	250-24701	
			8, W		01.04 -> 12.08	Pre cat Right	250-24701	
			8, W		01.04 -> 12.08	Post cat Left	250-24001	
			8, W		01.04 -> 12.08	Post cat Right	250-24001	
5.0				P		01.97 -> 12.98	Pre cat Left	250-24001
				P		01.97 -> 12.98	Pre cat Right	250-24001
			P		01.97 -> 12.98	Post cat Left	250-24001	
			P		01.97 -> 12.98	Post cat Right	250-24001	



Model / Liter	Body Code	kW	Engine Code	Application Identifier Engine or Chassis	Year From → To	Position	Walker Direct Fit	
<b>MERCURY (cont'd)</b>								
<b>MOUNTAINEER (cont'd)</b>								
5.0			P		01.99 -> 12.01	Pre cat Left	250-24701	
			P		01.99 -> 12.01	Pre cat Right	250-24701	
			P		01.99 -> 12.01	Post cat Left	250-24001	
			P		01.99 -> 12.01	Post cat Right	250-24001	
<b>SABLE</b>								
3.0			U		01.91 -> 12.95	Pre cat	250-24001	
			U		01.91 -> 12.95	Post cat	250-24001	
			S, U		01.96 -> 12.99	Pre cat Front	250-24001	
			S, U		01.96 -> 12.99	Pre cat Rear	250-24001	
			S, U		01.96 -> 12.99	Post cat Front	250-24001	
			S, U		01.96 -> 12.99	Post cat Rear	250-24001	
			2, S, U		01.01 -> 12.05	Pre cat Front	250-24749	
			2, S, U		01.01 -> 12.05	Pre cat Rear	250-24749	
			2, S, U		01.01 -> 12.05	Post cat Front	250-24001	
			2, S, U		01.01 -> 12.05	Post cat Rear	250-24001	
	3.5			W		01.08 -> 12.08	Pre cat Front	250-24301
				W		01.08 -> 12.08	Pre cat Rear	250-24301
			W		01.08 -> 12.08	Post cat Front	250-24001	
			W		01.08 -> 12.08	Post cat Rear	250-24001	
3.8			4		01.91 -> 12.95	Pre cat	250-24001	
			4		01.91 -> 12.95	Post cat	250-24001	
<b>MINI</b>								
<b>COOPER</b>								
		85	W10B16A		09.01 ->	Pre cat	250-24775	
		85	W10B16A		09.01 ->	Post cat	250-24775	
		88	N12B16A		11.06 ->	Pre cat	250-25042	
		88	N12B16A		11.06 ->	Post cat	250-24546	
<b>COOPER Cabriolet</b>								
		85	W10B16A		07.04 ->	Pre cat	250-24775	
		85	W10B16A		07.04 ->	Post cat	250-24775	
<b>COOPER S</b>								
		120	W11B16A		04.02 -> 06.04	Pre cat	250-24775	
		120	W11B16A		04.02 -> 06.04	Post cat	250-24775	
		125	W11B16A		07.04 ->	Pre cat	250-24775	
		125	W11B16A		07.04 ->	Post cat	250-24775	
		128	N14B16A		11.06 ->	Pre cat	250-25044	
		128	N14B16A		11.06 ->	Post cat	250-24546	
<b>COOPER S Cabriolet</b>								
		125	W11B16A		07.04 ->	Pre cat	250-24775	
		125	W11B16A		07.04 ->	Post cat	250-24775	
<b>COOPER S 1.6 Clubman</b>								
		88	N12B16A		10.07 ->	Pre cat	250-25042	
		88	N12B16A		10.07 ->	Post cat	250-24546	
		128	N14B16A		10.07 ->	Pre cat	250-25044	
		128	N14B16A		10.07 ->	Post cat	250-24546	
<b>ONE</b>								
		66	W10B16A		09.01 ->	Pre cat	250-24775	
		66	W10B16A		09.01 ->	Post cat	250-24775	
		70	N12B14S		03.07 ->	Pre cat	250-25042	
		70	N12B14A		03.07 ->	Post cat	250-24546	
<b>ONE Cabriolet</b>								
		66	W10B16A		07.04 ->	Pre cat	250-24775	
		66	W10B16A		07.04 ->	Post cat	250-24775	
<b>WORKS</b>								
		155	W11B16A		11.03 -> 07.04	Pre cat	250-24775	
		155	W11B16A		11.03 -> 07.04	Post cat	250-24775	
<b>WORKS Cabriolet</b>								
		155	W11B16A		11.03 -> 07.04	Pre cat	250-24775	
		155	W11B16A		11.03 -> 07.04	Post cat	250-24775	
<b>MITSUBISHI</b>								
<b>ECLIPSE</b>								
2.0			420A	Non-Turbo	01.95 -> 12.96	Pre cat	250-24003	
			420A	Non-Turbo	01.95 -> 12.96	Post cat	250-24083	





Model / Liter	Body Code	Engine kW	Engine Code	Application Identifier Engine or Chassis	Year From→To	Position	Walker Direct Fit
<b>MITSUBISHI (cont'd)</b>							
<b>ECLIPSE (cont'd)</b>							
2.0			4G63T	2WD; Turbo	01.99 -> 12.99	Pre cat	250-24026
			4G63T	2WD; Turbo	01.99 -> 12.99	Post cat	250-24224
			4G63T	4WD; Turbo	01.99 -> 12.99	Pre cat	250-24026
			4G63T	4WD; Turbo	01.99 -> 12.99	Post cat	250-24231
			420A	Non-Turbo	01.99 -> 12.99	Pre cat	250-24076
			420A	Non-Turbo	01.99 -> 12.99	Post cat	250-24083
2.4			4G64		01.00 -> 12.00	Pre cat	250-24224
			4G64		01.00 -> 12.00	Post cat	250-24224
			4G64		01.01 -> 12.05	Pre cat	250-24633
			4G64		01.01 -> 12.05	Post cat	250-24243
			4G69		01.06 -> 12.08	Pre cat	Cyl 1, 2 250-24242
			4G69		01.06 -> 12.08	Pre cat	Cyl 3, 4 250-24662
			4G69		01.06 -> 12.08	Post cat	Cyl 1, 2 250-24026
			4G69		01.06 -> 12.08	Post cat	Cyl 3, 4 250-24236
3.0					01.00 -> 12.00	Pre cat	Front 250-24224
					01.00 -> 12.00	Pre cat	Rear 250-24224
					01.00 -> 12.00	Post cat	Front 250-24232
					01.00 -> 12.00	Post cat	Rear 250-24232
			6G72		01.01 -> 12.05	Pre cat	Front 250-24233
			6G72		01.01 -> 12.05	Pre cat	Rear 250-24233
			6G72		01.01 -> 12.05	Post cat	Front 250-24240
			6G72		01.01 -> 12.05	Post cat	Rear 250-24240
3.8					01.06 -> 12.08	Pre cat	Front 250-24233
					01.06 -> 12.08	Pre cat	Rear 250-24233
					01.06 -> 12.08	Post cat	Front 250-24239
					01.06 -> 12.08	Post cat	Rear 250-24240
<b>ECLISPE GS, RS</b>							
2.0			420A	Non-Turbo	01.97 -> 12.98	Pre cat	250-24076
			420A	Non-Turbo	01.97 -> 12.98	Post cat	250-24083
<b>ECLISPE GST, SPYDER GST</b>							
2.0			4G63	Turbo	01.95 -> 12.98	Pre cat	250-24026
			4G63	Turbo	01.95 -> 12.98	Post cat	250-24224
<b>ECLISPE GSX</b>							
2.0			4G63	Turbo	01.95 -> 12.98	Pre cat	250-24026
			4G63	Turbo	01.95 -> 12.98	Post cat	250-24231
<b>ECLIPSE SPYDER, SPYDER GS</b>							
2.4			4G64		01.96 -> 12.99	Pre cat	250-24229
			4G64		01.96 -> 12.99	Post cat	250-24224
<b>GALANT</b>							
2.4			4G64		01.95 -> 12.98	Pre cat	250-24020
			4G64		01.95 -> 12.98	Post cat	250-24017
			4G64		01.99 -> 12.00	Pre cat	250-24224
			4G64		01.99 -> 12.00	Post cat	250-24224
			4G64		01.01 -> 12.03	Pre cat	Front 250-24233
			4G64		01.01 -> 12.03	Pre cat	Rear 250-24633
			4G64		01.01 -> 12.03	Post cat	Front 250-24240
			4G64		01.01 -> 12.03	Post cat	Rear 250-24243
			4G69		01.04 -> 12.08	Pre cat	Cyl 1, 2 250-24662
			4G69		01.04 -> 12.08	Pre cat	Cyl 3, 4 250-24662
			4G69		01.04 -> 12.08	Post cat	Cyl 1, 2 250-24026
			4G69		01.04 -> 12.08	Post cat	Cyl 3, 4 250-24236
3.0					01.99 -> 12.00	Pre cat	Front 250-24224
					01.99 -> 12.00	Pre cat	Rear 250-24224
					01.99 -> 12.00	Post cat	• 250-24224
					01.01 -> 12.03	Pre cat	Front 250-24233
					01.01 -> 12.03	Pre cat	Rear 250-24233
					01.01 -> 12.03	Post cat	Front 250-24240
					01.01 -> 12.03	Post cat	Rear 250-24240
3.8			6G75		01.04 -> 12.08	Pre cat	Front 250-24233
			6G75		01.04 -> 12.08	Pre cat	Rear 250-24233
			6G75		01.04 -> 12.08	Post cat	Front 250-24239
			6G75		01.04 -> 12.08	Post cat	Rear 250-24240
<b>GRANDIS</b>							
2.4		121	4G69		04.04 ->	Pre cat	Front 250-24662
		121	4G69		04.04 ->	Pre cat	Rear 250-24662
<b>L 200</b>							
2.0	K_T	90	4G63		06.96 -> 06.01		250-24230
2.4 4x4	K_T	97	4G64		06.96 -> 06.01		250-24230
2.6 4WD	K_T	76	G54B		11.89 -> 05.95		250-21061



Model / Liter	Body Code	kW	Engine Code	Application Identifier Engine or Chassis	Year From→ To	Position	Walker Direct Fit
<b>mitsubishi (cont'd)</b>							
<b>L300</b>							
2.0 Bus		83	4G63		07.96 -> 08.97		250-24026
2.0 Flatbed / Chassis		85	4G63		07.94 -> 04.00		250-24026
2.4 Bus		82	4G64		11.90 -> 05.96		250-21007
2.4 4WD Bus		82	4G64		11.90 -> 06.95		250-21007
<b>LANCER</b>							
2.0			4G94	Non-Turbo	01.02 -> 12.07	Pre cat	250-24233
			4G94	Non-Turbo	01.02 -> 12.07	Post cat	250-24224
				Turbo	06.03 -> 09.03	Pre cat	250-24631
				Turbo	06.03 -> 09.03	Post cat	250-24224
				Turbo	09.03 -> 12.04	Pre cat	250-24631
				Turbo	09.03 -> 12.04	Post cat	250-24653
			4G63	Turbo	01.05 -> 12.05	Pre cat	250-24631
			4G63	Turbo	01.05 -> 12.05	Post cat	250-24653
			4G63	Turbo	01.06 -> 12.06	Pre cat	250-24631
			4G63	Turbo	01.06 -> 12.06	Post cat	250-24709
			4B11	Turbo	01.08 -> 12.08	Pre cat	250-24751
			4B11	Turbo	01.08 -> 12.08	Post cat	250-24751
2.4			4G69		01.04 -> 12.06	Pre cat	250-24017
			4G69		01.04 -> 12.06	Post cat	250-24653
<b>OUTLANDER</b>							
2.4			4G64	FWD	01.03 -> 12.03	Pre cat	250-24484
			4G64	FWD	01.03 -> 12.03	Post cat	250-24232
			4G64	AWD	01.03 -> 12.03	Pre cat	250-24484
			4G64	AWD	01.03 -> 12.03	Post cat	250-24224
					01.04 -> 12.04	Pre cat	250-24484
					01.04 -> 12.04	Post cat	250-24653
			4G69		01.05 -> 12.05	Pre cat	250-24484
			4G69		01.05 -> 12.05	Post cat	250-24653
			4B12		01.08 -> 12.08	Pre cat	250-24751
			4B12		01.08 -> 12.08	Post cat	250-24751
3.0			6B31	Upper Manifold	01.07 -> 12.08	Pre cat Front	250-24233
			6B31	Upper Manifold	01.07 -> 12.08	Pre cat Rear	250-24242
			6B31	Lower Manifold	01.07 -> 12.08	Center Front	250-24239
			6B31	Lower Manifold	01.07 -> 12.08	Center Rear	250-24236
			6B31		01.07 -> 12.08	Post cat	• 250-24742
<b>PAJERO II</b>							
3.0 V6 24V	V2_W, V4_W 130		6G72-8H	A/T	06.97 -> 04.00	Pre cat	250-24235
			6G72-8H	M/T	06.97 -> 04.00	Pre cat	250-24230
			6G72-8-GG		08.98 ->	Pre cat	250-24234
3.0 V6 24V Canvas Top	V2_W, V4_W 133		6G72	A/T	06.94 -> 04.00	Pre cat	250-24235
			6G72	M/T	06.94 -> 04.00	Pre cat	250-24230
3.5 V6 24V	V2_W, V4_W 153		6G74		06.94 -> 05.97	Pre cat	250-24235
	V2_W, V4_W 143		6G74		07.97 -> 04.00	Pre cat	250-24235
			6G74		07.97 -> 04.00	Post cat	250-24240
<b>PAJERO IV</b>							
3.8 V6	V80, V90	184			02.07 ->	Pre cat Left	250-24631
					02.07 ->	Pre cat Right	250-24631
					02.07 ->	Post cat Left	250-24235
					02.07 ->	Post cat Right	250-24240
<b>PAJERO SPORT</b>							
3.0 V6	K90	130	6 G 72	M/T	11.98 -> 05.00	Pre cat	250-24234
<b>NISSAN</b>							
<b>350Z</b>							
3.5			VQ35DE		01.03 -> 12.04	Pre cat Left	250-24450
			VQ35DE		01.03 -> 12.04	Pre cat Right	250-24450
			VQ35DE		01.03 -> 12.04	Post cat Left	250-24448
			VQ35DE		01.03 -> 12.04	Post cat Right	250-24403
			VQ35DE		01.05 -> 12.06	Pre cat Left	250-25005
			VQ35DE		01.05 -> 12.06	Pre cat Right	250-25005
			VQ35DE		01.05 -> 12.06	Post cat Left	250-24448
			VQ35DE		01.05 -> 12.06	Post cat Right	250-24403
			VQ35HR		01.07 -> 12.07	Pre cat Left	250-54037
			VQ35HR		01.07 -> 12.07	Pre cat Right	250-54037
			VQ35HR		01.07 -> 12.07	Post cat Left	250-24741
			VQ35HR		01.07 -> 12.07	Post cat Right	250-24741



Model / Liter	Body Code	Engine kW	Engine Code	Application Identifier Engine or Chassis	Year From→To	Position	Walker Direct Fit
<b>NISSAN (cont'd)</b>							
<b>350Z (cont'd)</b>							
3.5			VQ35HR		01.08 -> 12.08	Pre cat Left	250-54035
			VQ35HR		01.08 -> 12.08	Pre cat Right	250-54035
			VQ35HR		01.08 -> 12.08	Post cat Left	250-24741
			VQ35HR		01.08 -> 12.08	Post cat Right	250-24741
<b>ALTIMA</b>							
2.4			KA24DE		01.93 -> 02.96	Pre cat	250-21013
			KA24DE		01.93 -> 02.96	Post cat	250-23505
			KA24DE		02.96 -> 12.99	Pre cat	250-23075
			KA24DE		02.96 -> 12.99	Post cat	250-24103
			KA24DE		01.00 -> 12.00	Pre cat	250-23121
			KA24DE		01.00 -> 12.00	Post cat	250-24434
			KA24DE		12.00 -> 12.01	Pre cat	250-23121
			KA24DE		12.00 -> 12.01	Post cat	250-24437
2.5			QR25DE		01.02 -> 12.03	Pre cat	250-24452
			QR25DE		01.02 -> 12.03	Post cat	250-24403
			QR25DE		01.04 -> 12.06	Pre cat	250-25005
			QR25DE		01.04 -> 12.06	Post cat	250-24448
			QR25DE		01.07 -> 12.08	Pre cat	250-54035
			QR25DE		01.07 -> 12.08	Center	250-24771
3.5			VQ35DE		01.02 -> 12.03	Pre cat Front	250-23131
			VQ35DE		01.02 -> 12.03	Pre cat Rear	250-23131
			VQ35DE		01.02 -> 12.03	Post cat Front	250-24457
			VQ35DE		01.02 -> 12.03	Post cat Rear	250-24437
			VQ35DE		01.04 -> 12.04	Pre cat	250-23131
			VQ35DE		01.04 -> 12.04	Center	250-24437
			VQ35DE		01.04 -> 12.04	Post cat	250-24457
			VQ35DE		01.05 -> 12.06	Pre cat Front	250-25005
			VQ35DE		01.05 -> 12.06	Pre cat Rear	250-25005
			VQ35DE		01.05 -> 12.06	Post cat Front	250-24403
			VQ35DE		01.05 -> 12.06	Post cat Rear	250-24448
			VQ35DE		12.07 -> 12.08	Pre cat Front	250-54037
			VQ35DE		12.07 -> 12.08	Pre cat Rear	250-54037
			VQ35DE		12.07 -> 12.08	Post cat Front	250-24771
			VQ35DE		12.07 -> 12.08	Post cat Rear	250-24741
	<b>ARMADA</b>						
5.6			VK56DE		01.05 -> 12.06	Pre cat Left	250-25005
			VK56DE		01.05 -> 12.06	Pre cat Right	250-25005
			VK56DE		01.05 -> 12.06	Post cat Left	250-24453
			VK56DE		01.05 -> 12.06	Post cat Right	250-24453
			VK56DE		01.07 -> 12.08	Pre cat Left	250-54037
			VK56DE		01.07 -> 12.08	Pre cat Right	250-54037
			VK56DE		01.07 -> 12.08	Post cat Left	250-24453
			VK56DE		01.07 -> 12.08	Post cat Right	250-24453
<b>MAXIMA</b>							
3.0			VQ30DE		01.95 -> 12.95	Pre cat Front	250-23104
			VQ30DE		01.95 -> 12.95	Pre cat Rear	250-23104
			VQ30DE		01.95 -> 12.95	Post cat	•250-23505
			VQ30DE		01.96 -> 07.96	Pre cat Front	250-23104
			VQ30DE		01.96 -> 07.96	Pre cat Rear	250-23104
			VQ30DE		01.96 -> 07.96	Post cat	•250-23521
			VQ30DE		08.96 -> 12.97	Pre cat Front	250-23104
			VQ30DE		08.96 -> 12.97	Pre cat Rear	250-23104
			VQ30DE		08.96 -> 12.97	Post cat	•250-24397
			VQ30DE		01.98 -> 12.99	Pre cat Front	250-23104
			VQ30DE		01.98 -> 12.99	Pre cat Rear	250-23104
			VQ30DE		01.98 -> 12.99	Post cat	•250-24397
			VQ30DE		01.00 -> 12.00	Pre cat Front	250-23133
			VQ30DE		01.00 -> 12.00	Pre cat Rear	250-23133
			VQ30DE		01.00 -> 12.00	Post cat	•250-24479
			VQ30DE		01.01 -> 12.01	Pre cat Front	250-23121
			VQ30DE		01.01 -> 12.01	Pre cat Rear	250-23133
			VQ30DE		01.01 -> 12.01	Post cat Front	250-24284
3.5			VQ35DE		01.01 -> 12.01	Post cat Rear	250-24286
			VQ35DE		01.02 -> 12.03	Pre cat Front	250-23131
			VQ35DE		01.02 -> 12.03	Pre cat Rear	250-23131
			VQ35DE		01.02 -> 12.03	Post cat Front	250-24285
			VQ35DE		01.02 -> 12.03	Post cat Rear	250-24418



Model / Liter	Body Code	kW	Engine Code	Application Identifier Engine or Chassis	Year From→ To	Position	Walker Direct Fit
<b>NISSAN (cont'd)</b>							
<b>MAXIMA (cont'd)</b>							
3.5			VQ35DE		01.04 -> 12.08	Pre cat Front	250-25005
			VQ35DE		01.04 -> 12.08	Pre cat Rear	250-25005
			VQ35DE		01.04 -> 12.08	Post cat Front	250-24448
			VQ35DE		01.04 -> 12.08	Post cat Rear	250-24403
<b>MURANO</b>							
3.5			VQ35DE		01.03 -> 12.03	Pre cat Front	250-24452
			VQ35DE		01.03 -> 12.03	Pre cat Rear	250-24452
			VQ35DE		01.03 -> 12.03	Post cat Front	250-24448
			VQ35DE		01.03 -> 12.03	Post cat Rear	250-24448
			VQ35DE		01.04 -> 12.07	Pre cat Front	250-25005
			VQ35DE		01.04 -> 12.07	Pre cat Rear	250-25005
			VQ35DE		01.04 -> 12.07	Post cat Front	250-24448
			VQ35DE		01.04 -> 12.07	Post cat Rear	250-24448
<b>PATHFINDER</b>							
3.0			VG30E		01.94 -> 12.95	Pre cat	250-23093
3.3			VG33E		01.96 -> 12.00	Pre cat Left	250-23109
			VG33E		01.96 -> 12.00	Pre cat Right	250-23089
			VG33E		01.96 -> 12.00	Post cat Left	250-24101
			VG33E		01.96 -> 12.00	Post cat Right	250-24102
3.5			VQ35DE		01.00 -> 08.00	Pre cat Left	250-23135
			VQ35DE		01.00 -> 08.00	Pre cat Right	250-23133
			VQ35DE		01.00 -> 08.00	Post cat Left	250-24435
			VQ35DE		01.00 -> 08.00	Post cat Right	250-24286
			VQ35DE		08.00 -> 12.01	Pre cat Left	250-23122
			VQ35DE		08.00 -> 12.01	Pre cat Right	250-23131
			VQ35DE		08.00 -> 12.01	Post cat Left	250-24449
			VQ35DE		08.00 -> 12.01	Post cat Right	250-24285
			VQ35DE		01.02 -> 12.02	Pre cat Left	250-23122
			VQ35DE		01.02 -> 12.02	Pre cat Right	250-23131
			VQ35DE		01.02 -> 12.02	Post cat Left	250-24449
			VQ35DE		01.02 -> 12.02	Post cat Right	250-24285
			VQ35DE		01.03 -> 12.04	Pre cat Left	250-24451
			VQ35DE		01.03 -> 12.04	Pre cat Right	250-24450
			VQ35DE		01.03 -> 12.04	Post cat Left	250-24659
			VQ35DE		01.03 -> 12.04	Post cat Right	250-24659
4.0			VQ40DE		01.05 -> 12.07	Pre cat Left	250-25005
			VQ40DE		01.05 -> 12.07	Pre cat Right	250-25005
			VQ40DE		01.05 -> 12.07	Post cat Left	250-24453
			VQ40DE		01.05 -> 12.07	Post cat Right	250-24403
			VQ40DE		01.08 -> 12.08	Pre cat Left	250-54037
			VQ40DE		01.08 -> 12.08	Pre cat Right	250-54037
			VQ40DE		01.08 -> 12.08	Post cat Left	250-24403
			VQ40DE		01.08 -> 12.08	Post cat Right	250-24453
5.6			VK56DE		01.08 -> 12.08	Pre cat Left	250-54037
			VK56DE		01.08 -> 12.08	Pre cat Right	250-54037
			VK56DE		01.08 -> 12.08	Post cat Left	250-24453
			VK56DE		01.08 -> 12.08	Post cat Right	250-24453
<b>PICKUP</b>							
2.4			KA24E		01.94 -> 12.95		250-21013
			KA24E		01.96 -> 12.97	Pre cat	250-23075
			KA24E		01.96 -> 12.97	Post cat	250-24632
3.0			VG30E		01.94 -> 01.95		250-23093
<b>SUNNY III</b>							
1.4 i	N14	55	GA14DS		10.90 -> 05.95		250-21013
1.4 i 16V	N14	64	GA14DE		02.92 -> 05.95		250-23089
1.6 i	N14	66	GA16DS		10.90 -> 05.95		250-21013
	Y10	66	GA16DS		06.91 -> 03.00		250-21013
1.6 i 16V	N14	66	GA16DEE		10.90 -> 06.94		250-23089
	N14	75	GA16DE		10.90 -> 05.95		250-23089
2.0 GTI 16V	N14	105	SR20DE	MT	10.90 -> 05.95		250-23143
<b>XTERRA</b>							
2.4			KA24DE		01.00 -> 12.00	Pre cat	250-23089
			KA24DE		01.00 -> 12.00	Post cat	250-24425
			KA24DE		01.01 -> 12.01	Pre cat	250-23089
			KA24DE		01.01 -> 12.01	Post cat	250-24401
			KA24DE		01.02 -> 12.04	Pre cat	250-23131
			KA24DE		01.02 -> 12.04	Post cat	250-24401





Model / Liter	Body Code	Engine kW	Engine Code	Application Identifier Engine or Chassis	Year From→To	Position	Walker Direct Fit
<b>NISSAN (cont'd)</b>							
<b>XTERRA (cont'd)</b>							
3.3			VG33E		01.00 -> 12.04	Pre cat Left	250-24632
			VG33E		01.00 -> 12.04	Pre cat Right	250-24102
			VG33E		01.00 -> 12.04	Post cat Left	250-23109
			VG33E		01.00 -> 12.04	Post cat Right	250-23089
4.0			VQ40DE		01.05 -> 12.06	Pre cat Left	250-25005
			VQ40DE		01.05 -> 12.06	Pre cat Right	250-25005
			VQ40DE		01.05 -> 12.06	Post cat Left	250-24403
			VQ40DE		01.05 -> 12.06	Post cat Right	250-24453
			VQ40DE		01.07 -> 12.08	Pre cat Left	250-54037
			VQ40DE		01.07 -> 12.08	Pre cat Right	250-54037
			VQ40DE		01.07 -> 12.08	Post cat Left	250-24403
			VQ40DE		01.07 -> 12.08	Post cat Right	250-24453
<b>X-TRAIL</b>							
2.0 4x4	T30	103	QR20DE		07.01 ->		250-24452
2.2 dCi 4x4	T30	100	YD22DDTi		01.04 ->	Pre cat	250-24667
			YD22DDTi		01.04 ->	Post cat	250-24667
2.5	T31	124	QR25DE		06.07 ->	Pre cat	250-54037
			QR25DE		06.07 ->	Post cat	250-24741
2.5 4x4	T30	121	QR25DE		01.03 ->		250-24452
<b>OPEL</b>							
<b>ASTRA G Box</b>							
1.6	F70	55	X16SZR		01.99 -> 09.00		250-21001
	F70	62	Z16 SE		09.00 -> 02.01	Pre cat	250-24573
			Z16 SE		09.00 -> 02.01	Post cat	250-24573
<b>ASTRA G Cabriolet</b>							
1.6 16V		74	Z16XE		03.01 -> 12.01	Pre cat	250-24590
			Z16XE		03.01 -> 12.01	Post cat	250-24591
			Z16XE		01.02 -> 10.05	Pre cat	250-24590
			Z16XE		01.02 -> 10.05	Post cat	250-24592
1.8 16V		92	Z18XE		03.01 -> 10.05	Pre cat	250-24570
			Z18XE		03.01 -> 10.05	Post cat	250-24573
2.0 16V Turbo		147	Z20LER		11.02 -> 08.05	Pre cat	250-24648
2.0 OPC		141	Z20LET		03.02 -> 10.02	Pre cat	250-24648
2.2 16V		108	Z22SE		03.01 -> 10.05	Pre cat	250-24706
			Z22SE		03.01 -> 06.05	Post cat	250-24731
<b>ASTRA G Caravan</b>							
1.2 16V	F35_	48	X12XE		02.98 -> 09.00		250-24590
	F35_	55	Z12XE		09.00 -> 02.04	Pre cat	250-24648
			Z12XE		09.00 -> 02.04	Post cat	250-24648
1.4 16V	F35_	66	X14XE		06.98 -> 12.01		250-24012
			Z14XE		06.98 -> 02.01	Pre cat	250-24590
			Z14XE		06.98 -> 02.01	Post cat	250-24591
			X14XE		01.02 -> 02.04		250-24592
			Z14XE		01.02 -> 02.04	Pre cat	250-24590
			Z14XE		01.02 -> 02.04	Post cat	250-24592
1.6	F35_	55	X16SZR		02.98 -> 09.00		250-21001
	F35_	62	Z16SE		09.00 -> 12.01	Pre cat	250-24573
			Z16SE		09.00 -> 12.01	Post cat	250-24573
			Z16SE		01.02 -> 02.04	Pre cat	250-24573
			Z16SE		01.02 -> 02.04	Post cat	250-24592
1.6 16V	F35_	74	X16XEL		02.98 -> 12.01		250-24012
			X16XEL		01.02 -> 02.04	Pre cat	250-24592
			X16XEL		01.02 -> 02.04	Post cat	250-24592
			Z16XE		02.98 -> 12.01	Pre cat	250-24590
			Z16XE		02.98 -> 12.01	Post cat	250-24591
			Z16XE		01.02 -> 02.04	Pre cat	250-24592
			Z16XE		01.02 -> 02.04	Post cat	250-24592
1.8 16V	F35_	85	X18XE1		02.98 -> 09.00		250-24803
	F35_	92	Z18XE		09.00 -> 02.04	Pre cat	250-24570
			Z18XE		09.00 -> 02.04	Post cat	250-24573
2.0 16V	F35_	100	X20XEV		02.98 -> 12.99		250-24806
	F35_	141	Z20LET		09.02 -> 02.04		250-24648
	F35_	147	Z20LER		11.02 -> 06.04		250-24648
2.2 16V	F35_	108	Z22SE		03.01 -> 02.04	Pre cat	250-24706
			Z22SE		03.01 -> 02.04	Post cat	250-24731
<b>ASTRA G Coupe</b>							
1.6 16V	F07_	76	Z16XE		01.02 -> 01.03	Pre cat	250-24590
			Z16XE		01.02 -> 01.03	Post cat	250-24592



Model / Liter	Body Code	kW	Engine Code	Application Identifier Engine or Chassis	Year From→ To	Position	Walker Direct Fit
<b>OPEL (cont'd)</b>							
<b>ASTRA G Coupe (cont'd)</b>							
1.6 16V	F07_		Z16XE Z16XE		01.03 -> 05.05 01.03 -> 05.05	Pre cat Post cat	250-24590 250-24591
1.8 16V	F07_	85	X18XE1 Z18XE Z18XE	RH drive Only	03.00 -> 10.00 03.00 -> 10.00 03.00 -> 10.00	Pre cat Post cat	250-24803 250-24570 250-24573
	F07_	92	Z18XEL Z18XEL		09.00 -> 02.05 09.00 -> 02.05	Pre cat Post cat	250-24570 250-24573
2.0 16V	F07_	140	Z20LET	Turbo	09.00 -> 08.01		250-24648
	F07_	141	Z20LET	Turbo	08.01 -> 10.02		250-24648
	F07_	147	Z20LER	Turbo	11.02 -> 02.05		250-24648
2.2 16V	F07_	108	Z22SE Z22SE		09.00 -> 02.05 09.00 -> 02.05	Pre cat Post cat	250-24706 250-24731
<b>ASTRA G CC</b>							
1.2 16V	F48_, F08_	48	X12XE		02.98 -> 09.00		250-24590
	F48_, F08_	55	Z12XE Z12XE		09.00 -> 02.04 09.00 -> 02.04	Pre cat Post cat	250-24648 250-24648
1.4 16V	F48_, F08_	66	X14XE X14XE Z14XE Z14XE		02.98 -> 12.01 02.98 -> 12.01 02.98 -> 12.01 01.02 -> 02.04	Pre cat Post cat Pre cat Post cat	250-24012 250-24591 250-24590 250-24592
1.6	F48_, F08_	55	X16SZR		01.02 -> 02.04		250-24592
	F48_, F08_	62	Z16SE Z16SE		02.98 -> 09.00 09.00 -> 01.04	Pre cat Post cat	250-21001 250-24573
1.6 16V	F48_, F08_	74	X16XEL X16XEL		09.00 -> 01.04 09.00 -> 01.04	Pre cat Post cat	250-24573 250-24573
1.8 16V	F48_, F08_	85	X18XE1		02.98 -> 09.00		250-24803
	F48_, F08_	92	Z18XE Z18XE		09.00 -> 02.04 09.00 -> 02.04	Pre cat Post cat	250-24570 250-24573
2.0 16V	F48_, F08_	100	X20XEV		02.98 -> 12.99		250-24806
2.0 16V OPC	F48_, F08_	118	X20XER		11.99 -> 09.02		250-24803
2.0 OPC	F48_, F08_	141	Z20LET		09.02 -> 02.04		250-24648
	F48_, F08_	147	Z20LET, Z20LER		11.02 -> 01.04		250-24648
2.2 16V	F48_, F08_	108	Z22SE Z22SE		03.01 -> 02.04 03.01 -> 02.04	Pre cat Post cat	250-24706 250-24731
<b>ASTRA G Saloon</b>							
1.2 16V	F69_	48	X12XE		09.98 -> 09.00		250-24590
	F69_	55	Z12XE Z12XE		09.00 -> 02.04 09.00 -> 02.04	Pre cat Post cat	250-24648 250-24648
1.4 16V	F69_	66	X14XE X14XE Z14XE Z14XE		09.98 -> 12.01 09.98 -> 12.01 09.98 -> 12.01 01.02 -> 02.04	Pre cat Post cat Pre cat Post cat	250-24012 250-24591 250-24590 250-24592
1.6	F69_	55	X16SZR		01.02 -> 02.04		250-24592
	F69_	62	Z16SE Z16SE Z16SE		09.98 -> 08.00 09.00 -> 12.01 09.00 -> 12.01	Pre cat Post cat Pre cat	250-21001 250-24573 250-24573
1.6 16V	F69_	74	Z16SE X16XEL		01.02 -> 02.04 09.98 -> 12.01	Post cat	250-24592 250-24012
	F69_	74	X16XEL		01.02 -> 02.04		250-24592
1.8 16V	F69_	85	X18XE1		03.99 -> 09.00		250-24803
	F69_	92	Z18XE Z18XE		09.00 -> 02.04 09.00 -> 02.04	Pre cat Post cat	250-24570 250-24573
2.0 16V	F69_	100	X20XEV		03.99 -> 01.05		250-24806
2.2 16V	F69_	108	Z22SE		03.01 -> 02.04		250-24706
<b>ASTRA H</b>							
1.4		66	Z14XEP Z14XEP		01.06 -> 03.04 ->	Pre cat Post cat	250-24648 250-24648
1.8		92	Z18XE Z18XE		03.04 -> 12.05 03.04 -> 12.05	Pre cat Post cat	250-24570 250-24573
		103	Z18XER Z18XER		01.06 -> 01.06 ->	Pre cat Post cat	250-24570 250-24573
2.0		125	Z20LEL	Turbo	03.04 ->		250-24648
		147	Z20LER	Turbo	09.04 ->		250-24648
		177	Z20LEH	Turbo	03.05 ->	Pre cat	250-24648
<b>ASTRA H Caravan</b>							
1.4		66	Z14XEP Z14XEP		08.04 -> 12.05 08.04 ->	Pre cat Post cat	250-24648 250-24648



Model / Liter	Body Code	Engine kW	Engine Code	Application Identifier Engine or Chassis	Year From→ To	Position	Walker Direct Fit
<b>OPEL (cont'd)</b>							
<b>ASTRA H Caravan (cont'd)</b>							
1.8		92	Z18XE		08.04 ->	Pre cat	250-24570
			Z18XE		08.04 ->	Post cat	250-24573
2.0		125	Z20LEL	Turbo	08.04 ->		250-24648
		147	Z20LER	Turbo	07.04 ->		250-24648
<b>ASTRA H GTC</b>							
1.4		66	Z14XEP		03.05 ->	Pre cat	250-24648
			Z14XEP		03.05 ->	Post cat	250-24648
1.8		92	Z18XE		03.05 ->	Pre cat	250-24570
			Z18XE		03.05 ->	Post cat	250-24573
2.0		125	Z20LEL	Turbo	03.05 ->		250-24648
		147	Z20LER	Turbo	03.05 ->		250-24648
		177	Z20LEH	Turbo	08.05 ->		250-24648
<b>ASTRA H TwinTop</b>							
1.8		92	Z18XE		09.05 ->	Pre cat	250-24570
			Z18XE		09.05 ->	Post cat	250-24573
2.0		125	Z20LEL	Turbo	09.05 ->		250-24648
		147	Z20LER	Turbo	09.05 ->		250-24648
<b>CORSA B</b>							
1.0 i 12V		40	X10XE		03.97 -> 08.00		250-24590
1.2 i		33	12NZ		09.94 -> 09.00		250-21001
			C12NZ, X12SZ		03.93 -> 08.00		250-21001
1.2 i 16V		48	X12XE		03.98 -> 08.00		250-24590
1.4 i		44	C14NZ, X14SZ		03.93 -> 08.00		250-21001
1.4 Si		60	C14SE		03.93 -> 08.00		250-21001
1.4 i 16V		63	C14NZ		08.97 -> 08.00		250-21001
		66	X14XE	To Ch. No. S4269627 S6011904	07.95 -> 12.95		250-21038
			X14XE	Fr. Ch. No. S4269628,S6011905	07.95 -> 08.00		250-21001
1.6 i 16V		78	X16XE	To Ch. No. S4269627 S6011904	09.94 -> 12.95		250-21038
			X16XE	Fr. Ch. No. S4269628,S6011905	01.95 -> 08.00		250-21001
1.6 GSI 16V		80	C16XE	To Ch. No. S4269627 S6011904	03.93 -> 12.95		250-21038
			C16XE	Fr. Ch. No. S4269628,S6011905	01.95 -> 08.00		250-21001
<b>CORSA B Box</b>							
1.4 i	73_	44	X14SZ		08.99 -> 08.00		250-21001
<b>CORSA C</b>							
1.0	F08, F68	43	Z10XE		09.00 -> 08.03	Pre cat	250-24648
			Z10XE		09.00 -> 08.03	Post cat	250-24648
	F08, F68	44	Z10XEP		09.03 ->	Pre cat	250-24648
			Z10XEP		09.03 ->	Post cat	250-24648
1.2	F08, F68	55	Z12XE		09.00 -> 08.04	Pre cat	250-24648
			Z12XE		09.00 -> 08.04	Post cat	250-24648
1.2 Twinport	F08, F68	59	Z12XEP		09.04 ->	Pre cat	250-24648
			Z12XEP		09.04 ->	Post cat	250-24648
1.4	F08, F68	66	Z14XE		09.00 -> 08.03	Pre cat	250-24590
			Z14XE	Fr. Ch. No. 23000001,24000001,26000001	09.00 -> 08.03	Post cat	250-24592
			Z14XE	To Ch. No. 13999999 14999999 16999999	09.00 -> 08.03	Post cat	250-24591
1.4 Twinport	F08, F68	66	Z14XEP		09.03 ->	Pre cat	250-24648
			Z14XEP		09.03 ->	Post cat	250-24648
1.8	F08, F68	92	Z18XE		09.00 -> 08.03	Pre cat	250-24570
			Z18XE		09.00 -> 08.03	Post cat	250-24573
<b>CORSA C Box</b>							
1.2	F08, W5L	59	Z12XEP		07.05 ->	Pre cat	250-24648
			Z12XEP		07.05 ->	Post cat	250-24648
1.2 16V	F08, W5L	55	Z12XE		09.00 -> 08.03	Pre cat	250-24648
			Z12XE		09.00 -> 08.03	Post cat	250-24648
<b>VECTRA B</b>							
1.6 i	36_	55	16LZ2		09.96 -> 09.00		250-21001
			X16SZR		10.95 -> 01.99		250-21001
1.6 i 16V	36_	74	X16XEL	To Ch. No. W1285446 W154258	10.95 -> 12.98		250-21001
	36_	74	X16XEL	Fr. Ch. No. W1285447,W154259	01.98 -> 01.99		250-24012
			Z16XE		02.99 -> 03.02	Pre cat	250-24591
			Z16XE		02.99 -> 03.02	Post cat	250-24591
1.8 i 16V	36_	85	X18XE		10.95 -> 01.99		250-24806
	36_	92	Z18XE		09.00 -> 03.02	Pre cat	250-24570
			Z18XE		09.00 -> 03.02	Post cat	250-24573
2.0 i 16V	36_	100	X20XEV		10.95 -> 01.99		250-24806
2.2 i 16V	36_	108	Z22SE		09.00 -> 03.02	Pre cat	250-24706
			Z22SE		09.00 -> 03.02	Post cat	250-24731



Model / Liter	Body Code	kW	Engine Code	Application Identifier Engine or Chassis	Year From→ To	Position	Walker Direct Fit	
<b>OPEL (cont'd)</b>								
<b>VECTRA B (cont'd)</b>								
2.5 i V6	36_	125	X25XE		10.95 -> 01.99	Pre cat	Left	250-23146
			X25XE		10.95 -> 01.99	Pre cat	Right	250-23146
			X25XE	Leaded fuel	10.95 -> 01.99	Pre cat	Left	250-23138
			X25XE	Leaded fuel	10.95 -> 01.99	Pre cat	Right	250-23138
2.6 i V6	36_	125	Y26SE		09.00 -> 03.02	Pre cat		250-24648
			Y26SE		09.00 -> 03.02	Post cat		250-24682
1500 2.5	36_	143	X25XE		05.98 -> 01.99	Pre cat	Left	250-23146
			X25XE		05.98 -> 01.99	Pre cat	Right	250-23146
			X25XE	Leaded fuel	05.98 -> 01.99	Pre cat	Left	250-23138
			X25XE	Leaded fuel	05.98 -> 01.99	Pre cat	Right	250-23138
<b>VECTRA B Caravan</b>								
1.6 i	31_	55	X16SZR		11.96 -> 01.99			250-21001
1.6 i 16V	31_	74	X16XEL	Fr. Ch. No. W1285447,W7154259	01.98 -> 01.99	Pre cat		250-24012
			X16XEL	To Ch. No. W1285446 W7154258	11.96 -> 12.98	Pre cat		250-21001
			Z16XE		02.99 -> 07.02	Pre cat		250-24591
			Z16XE		02.99 -> 07.02	Post cat		250-24591
1.8 i 16V	31_	85	X18XE		11.96 -> 01.99			250-24806
	31_	92	Z18XE		09.00 -> 06.03	Pre cat		250-24570
<b>PEUGEOT</b>								
<b>206 CC</b>								
1.6 16V	2D	80	NFU	<TU5JP4>	02.01 ->	Pre cat		250-24409
			NFU	<TU5JP4>	02.01 ->	Post cat		250-24409
			NFU	<TU5JP4>, L5	02.01 ->			250-24665
2.0 S16	2A, C	100	RFN	<EW10J4>	10.00 -> 05.03	Pre cat		250-24409
			RFN	<EW10J4>	10.00 -> 05.03	Post cat		250-24410
			RFN	<EW10J4>, Motorized Throttle	05.03 -> 10.05	Pre cat		250-24748
			RFN	<EW10J4>, Motorized Throttle	05.03 -> 10.05	Post cat		250-24410
<b>206 Hatchback</b>								
1.1 i	2A, C	44	HFY,HFZ	<TU1JP>	09.98 -> 10.05			250-24536
			HFX	<TU1JP>	09.00 -> 10.05	Pre cat		250-24409
			HFX	<TU1JP>	09.00 -> 10.05	Post cat		250-24178
			HFX	<TU1JP>	10.05 -> 10.05			250-24665
1.4		55	KFW	<TU3A>	03.07 ->	Post cat		250-24178
1.4 16V	2A, C	65	KFU	<ET3J4>	10.03 -> 05.06	Pre cat		250-24665
			KFU	<ET3J4>	10.03 -> 05.06	Post cat		250-24841
1.4 i	2A, C	55	K6C	<TU3JP>	09.98 ->	Pre cat		250-24497
			KFX	<TU3JP>, L3	09.98 ->			250-24536
			KFX	<TU3JP>, Euro 4 (D4)	09.98 ->	Pre cat		250-24178
			KFX	<TU3JP>, Euro 4 (D4)	09.98 ->	Post cat		250-24178
			KFW	<TU3JP>, L4	09.00 ->	Pre cat		250-24178
			KFW	<TU3JP>, L4	09.00 ->	Post cat		250-24178
1.6 i	2A, C	65	NFZ	<TU5JP>	09.98 -> 12.00			250-24665
1.6 16V	2A, C	80	NFU	<TU5JP4>	12.00 -> 10.05	Pre cat		250-24409
			NFU	<TU5JP4>	12.00 -> 10.05	Post cat		250-24409
			NFU	<TU5JP4>	10.05 -> 03.07	Pre cat		250-24665
			NFU	<TU5JP4>	10.05 -> 03.07	Post cat		250-24409
			NFU	<TU5JP4>	03.07 ->	Pre cat		250-24841
			NFU	<TU5JP4>	03.07 ->	Post cat		250-24841
2.0 RC	2A, C	130	RFK	<EW10J4S>	07.03 ->	Pre cat		250-24748
			RFK	<EW10J4S>	07.03 ->	Post cat		250-24410
2.0 S16	2A, C	99	RFR	<DEW10J4>	04.99 -> 08.00	Pre cat		250-24409
			RFR	<DEW10J4>	04.99 -> 08.00	Post cat		250-24410
		100	RFN	<EW10J4>	10.00 -> 05.03	Pre cat		250-24409
			RFN	<EW10J4>	10.00 -> 05.03	Post cat		250-24410
			RFN	<EW10J4>, Motorized Throttle	05.03 -> 10.05	Pre cat		250-24748
			RFN	<EW10J4>, Motorized Throttle	05.03 -> 10.05	Post cat		250-24410
<b>206 SW</b>								
1.1	2E, K	44	HFX	<TU1JP>	07.02 -> 10.05	Pre cat		250-24841
			HFX	<TU1JP>	07.02 -> 10.05	Post cat		250-24178
			HFX	<TU1JP>	10.05 -> 10.05	Pre cat		250-24665
1.4	2E, K	55	KFW	<TU3JP>	07.02 ->	Pre cat		250-24178
			KFW	<TU3JP>	07.02 ->	Post cat		250-24178
1.4 16V	2E, K	65	KFU	<ET3J4>	10.03 -> 05.06	Pre cat		250-24665
			KFU	<ET3J4>	10.03 -> 05.06	Post cat		250-24841
1.6 16V	2E, K	80	NFU	<TU5JP4>	07.02 -> 10.05	Pre cat		250-24409
			NFU	<TU5JP4>	07.02 -> 10.05	Post cat		250-24409





Model / Liter	Body Code	kW	Engine Code	Application Identifier Engine or Chassis	Year From → To	Position	Walker Direct Fit
<b>PEUGEOT (cont'd)</b>							
<b>206 SW (cont'd)</b>							
1.6 16V	2E, K	80	NFU	<TU5JP4>	10.05 ->	Pre cat	250-24665
			NFU	<TU5JP4>	10.05 ->	Post cat	250-24409
2.0 16V	2E, K	100	RFN	<EW10J4>	07.02 -> 05.03	Pre cat	250-24409
			RFN	<EW10J4>	07.02 -> 05.03	Post cat	250-24410
			RFN	<EW10J4>, Motorized Throttle	05.03 -> 10.05	Pre cat	250-24748
			RFN	<EW10J4>, Motorized Throttle	05.03 -> 10.05	Post cat	250-24410
<b>207</b>							
1.4	WA_, WC_	53	KFV	<TU3A>	03.06 ->	Post cat	250-24178
1.4 16V	WA_, WC_	65	KFU	<ET3J4>	03.06 ->	Pre cat	250-24665
			KFU	<ET3J4>	03.06 ->	Post cat	250-24841
1.6 16V	WA_, WC_	80	NFU	<TU5JP4>	03.06 ->	Pre cat	250-24665
			NFU	<TU5JP4>	03.06 ->	Post cat	250-24841
<b>207 SW</b>							
1.4	WK_	54	KFV	<TU3A>	07.07 ->	Post cat	250-24178
<b>307</b>							
1.4	3A, C	55	K6D, KFW	<TU3JP>	09.01 -> 06.05	Pre cat	250-24178
			KFW	<TU3JP>	09.01 -> 06.05	Post cat	250-24178
1.4 16V	3A, C	65	KFU	<ET3J4>	11.03 ->	Pre cat	250-24665
			KFU	<ET3J4>	11.03 ->	Post cat	250-24841
1.6 16V	3A, C	80	N6A	<TU5JP4>	03.01 -> 06.05	Pre cat	250-24178
			NFU	<TU5JP4>	03.01 -> 12.04	Pre cat	250-24409
			NFU	<TU5JP4>	03.01 -> 12.04	Post cat	250-24409
			NFU	<TU5JP4>	01.05 ->	Pre cat	250-24665
			NFU	<TU5JP4>	01.05 ->	Post cat	250-24409
2.0 16V	3A, C	100	RFN	<EW10J4>	03.01 -> 06.05	Pre cat	250-24748
			RFN	<EW10J4>	03.01 -> 06.05	Post cat	250-24410
			RFK	<EW10J4S>	06.05 ->	Pre cat	250-24748
			RFK	<EW10J4S>	06.05 ->	Post cat	250-24410
<b>307 Break</b>							
1.4	3E	55	TU3	JP	04.02 -> 09.03	Pre cat	250-24178
			TU3	JP	04.02 -> 09.03	Post cat	250-24178
1.4 16V	3E	65	KFU	<ET3J4>	11.03 ->	Pre cat	250-24665
			KFU	<ET3J4>	11.03 ->	Post cat	250-24841
1.6 16V	3E	80	NFU	<TU5JP4>	03.02 -> 12.04	Pre cat	250-24841
			NFU	<TU5JP4>	03.02 -> 12.04	Post cat	250-24841
			NFU	<TU5JP4>	01.05 ->	Pre cat	250-24665
			NFU	<TU5JP4>	01.05 ->	Post cat	250-24841
1.6 BioFlex	3E	80	TU5	JP4	09.07 ->	Pre cat	250-24665
			TU5	JP4	09.07 ->	Post cat	250-24841
2.0	3E	100	RFN	<EW10J4>	03.02 -> 06.05	Pre cat	250-24748
			RFN	<EW10J4>	03.02 -> 06.05	Post cat	250-24410
<b>307 CC</b>							
1.6 16V	3B	80	NFU	<TU5JP4>	01.05 ->		250-24665
			NFU	<TU5JP4>	03.05 ->	Pre cat	250-24841
			NFU	<TU5JP4>	03.05 ->	Post cat	250-24841
2.0 16V	3B	100	RFN	<EW10J4>	10.03 -> 03.05	Pre cat	250-24748
			RFN	<EW10J4>	10.03 -> 03.05	Post cat	250-24410
	3B	130	RFK	<EW10J4S>	10.03 ->	Pre cat	250-24748
			RFK	<EW10J4S>	10.03 ->	Post cat	250-24410
<b>307 SW</b>							
1.6 16V	3H	80	NFU	<TU5JP4>	01.05 ->		250-24665
			NFU	<TU5JP4>	03.02 ->	Pre cat	250-24409
			NFU	<TU5JP4>	03.02 ->	Post cat	250-24409
1.6 BioFlex	3H	80	TU5	JP4	09.07 ->	Pre cat	250-24665
			TU5	JP4	09.07 ->	Post cat	250-24841
2.0 16V	3H	100	RFN	<EW10J4>	03.02 -> 06.05	Pre cat	250-24748
			RFN	<EW10J4>	03.02 -> 06.05	Post cat	250-24410
<b>407</b>							
1.8	6D_	85	6FZ	<EW7J4>	05.04 -> 10.05		250-24527
2.0	6D_	100	RFN	<EW10J4>	05.04 -> 10.05	Pre cat	250-24748
		100	RFN	<EW10J4>	05.04 -> 10.05	Post cat	250-24596
2.2	6D_	116	3FZ	<EW12J4>	05.04 -> 10.05	Pre cat	250-24748
			3FZ	<EW12J4>	05.04 -> 10.05	Post cat	250-24596
3.0	6D_	155	XFV	<ES9A>	05.04 ->	Pre cat	250-24841
			XFV	<ES9A>	05.04 ->	Pre cat	250-24841
			XFV	<ES9A>	05.04 ->	Post cat	250-24841
			XFV	<ES9A>	05.04 ->	Post cat	250-24841



Model / Liter	Body Code	kW	Engine Code	Application Identifier Engine or Chassis	Year From→ To	Position	Walker Direct Fit
<b>PEUGEOT (cont'd)</b>							
<b>407 Coupe</b>							
3.0 V6	6C_	155	XFV	<ES9A>	10.05 ->	Pre cat Left	250-24841
			XFV	<ES9A>	10.05 ->	Pre cat Right	250-24841
			XFV	<ES9A>	10.05 ->	Post cat Left	250-24841
			XFV	<ES9A>	10.05 ->	Post cat Right	250-24841
<b>407 SW</b>							
1.8	6E_	85	6FZ	<EW7J4>	05.04 -> 10.05		250-24527
2.0	6E_	100	RFN	<EW10J4>	05.04 -> 10.05	Pre cat	250-24748
			RFN	<EW10J4>	05.04 -> 10.05	Post cat	250-24596
2.2	6E_	116	3FZ	<EW12J4>	05.04 -> 10.05	Pre cat	250-24748
			3FZ	<EW12J4>	05.04 -> 10.05	Post cat	250-24596
3.0	6E_	155	XFV	<ES9A>	05.04 ->	Pre cat Left	250-24841
			XFV	<ES9A>	05.04 ->	Pre cat Right	250-24841
			XFV	<ES9A>	05.04 ->	Post cat Left	250-24841
			XFV	<ES9A>	05.04 ->	Post cat Right	250-24841
<b>607</b>							
2.0	9D, 9U	100	RFN	<EW10J4>	05.00 -> 09.04	Pre cat	250-24748
			RFN	<EW10J4>	05.00 -> 09.04	Post cat	250-24410
2.2 16V	9D, 9U	116	3FZ	<EW12J4>	05.00 ->	Pre cat	250-24748
			3FZ	<EW12J4>	05.00 ->	Post cat	250-24410
2.2 16V	9D, 9U	120		<EW12J4>	01.06 ->	Pre cat	250-24748
				<EW12J4>	01.06 ->	Post cat	250-24410
3.0 V6 24V	9D, 9U	152	XFV	<ES9J4S>	05.00 -> 12.00	Pre cat Left	250-24409
			XFV	<ES9J4S>	05.00 -> 12.00	Pre cat Right	250-24665
			XFV	<ES9J4S>	05.00 -> 12.00	Post cat Left	250-24409
			XFV	<ES9J4S>	05.00 -> 12.00	Post cat Right	250-24409
			XFV	<ES9J4S>	01.01 -> 09.04	Pre cat Left	250-24409
			XFV	<ES9J4S>	01.01 -> 09.04	Pre cat Right	250-24409
			XFV	<ES9J4S>	01.01 -> 09.04	Post cat Left	250-24409
			XFV	<ES9J4S>	01.01 -> 09.04	Post cat Right	250-24409
	9D, 9U	155	XFV	<ES9A>	10.04 ->	Pre cat Left	250-24409
			XFV	<ES9A>	10.04 ->	Pre cat Right	250-24409
			XFV	<ES9A>	10.04 ->	Post cat Left	250-24409
			XFV	<ES9A>	10.04 ->	Post cat Right	250-24665
<b>PORSCHE</b>							
<b>911</b>							
3.4 Carrera	996	221	M96.01, 04		09.97 -> 08.01	Pre cat	250-24178
			M96.01, 04		09.97 -> 08.01	Post cat	250-24135
3.4 Carrera 4	996	221	M96.01, 04		09.98 -> 08.01	Pre cat	250-24178
			M96.01, 04		09.98 -> 08.01	Post cat	250-24135
3.6 Carrera	993	200	M64.05, 06		10.93 -> 08.95		250-24163
	993	210	M64.21, 22, 23, 24		09.95 -> 08.97		250-24163
3.6 Carrera	996	235	M96.03		10.01 -> 07.04	Pre cat	250-24409
			M96.03		10.01 -> 07.04	Post cat	250-24409
3.6 Carrera	997	239	M96.05		08.04 -> 08.05	Pre cat	250-24409
			M96.05		08.04 -> 08.05	Post cat	250-24409
3.6 Carrera 4	993	200	M64.05		07.94 -> 08.95		250-24163
	993	210	M64.21		09.95 -> 08.97		250-24163
	996	235	M96.03		10.01 -> 07.04	Pre cat	250-24409
			M96.03		10.01 -> 07.04	Post cat	250-24409
3.6 Carrera S	996	254			02.03 -> 07.04	Pre cat	250-24409
					02.03 -> 07.04	Post cat	250-24409
3.6 GT2	996	340			06.01 -> 08.05		250-24178
	996	355			10.03 -> 08.05		250-24178
3.6 GT3	996	265	M96.76		03.99 -> 08.01		250-24133
	996	280			09.03 -> 08.05	Pre cat	250-24409
					09.03 -> 08.05	Post cat	250-24409
3.6 Turbo 4	993	300	M64.60		03.95 -> 08.97	Pre cat	250-24178
			M64.60		03.95 -> 08.97	Post cat	250-24133
3.6 Turbo 4	996	309	M96.70		06.00 -> 08.05		250-24178
3.6 Turbo 4S	996	331			02.03 -> 08.05		250-24178
3.8 Carrera RS	993	221	M64.20		06.95 -> 08.97		250-24163
3.8 Carrera RS 4	993	221	M64.20		08.95 -> 08.97		250-24163
3.8 Carrera S	997	261	M97.01		08.04 -> 08.05	Pre cat	250-24409
		261	M97.01		08.04 -> 08.05	Post cat	250-24409
<b>911 Cabriolet</b>							
3.4 Carrera	996	221	M96.01, 04		02.98 -> 08.01	Pre cat	250-24178
			M96.01, 04		02.98 -> 08.01	Post cat	250-24135



Model / Liter	Body Code	Engine kW	Engine Code	Application Identifier Engine or Chassis	Year From→To	Position	Walker Direct Fit
<b>PORSCHE (cont'd)</b>							
<b>911 Cabriolet (cont'd)</b>							
3.4 Carrera 4	996	221	M96.02, 04		09.98 -> 08.01	Pre cat	250-24178
			M96.02, 04		09.98 -> 08.01	Post cat	250-24135
3.6 Carrera	993	200	M64.05, 06		07.94 -> 08.95		250-24163
	993	210	M64.21, 22		09.95 -> 08.97		250-24163
	996	235	M96.03		10.01 -> 07.04	Pre cat	250-24409
			M96.03		10.01 -> 07.04	Post cat	250-24409
	997	239	M96.05		04.05 -> 08.05	Pre cat	250-24409
	997	239	M96.05		04.05 -> 08.05	Post cat	250-24409
3.6 Carrera 4	993	200	M64.05		07.94 -> 08.95		250-24163
	993	210	M64.21		09.95 -> 08.97		250-24163
	996	235	M96.03		10.01 -> 07.04	Pre cat	250-24409
			M96.03		10.01 -> 07.04	Post cat	250-24409
3.6 Turbo 4	996	309	M96.70		10.03 -> 08.05		250-24178
3.6 Turbo 4S	996	331			10.03 -> 08.05		250-24178
3.8 Carrera S	997	261	M97.01		08.05 ->	Pre cat	250-24409
			M97.01		08.05 ->	Post cat	250-24409
<b>911 Targa</b>							
3.6	996	235	M96.03		12.01 -> 07.04	Pre cat	250-24409
			M96.03		12.01 -> 07.04	Post cat	250-24409
3.6 Carrera	993	210	M64.21,22		09.95 -> 08.97		250-24163
3.7 Carrera	993	221	M64.20		05.96 -> 08.97		250-24163
<b>BOXSTER</b>							
2.5	986	150	M96.20		10.96 -> 08.99	Pre cat Left	250-24423
			M96.20		10.96 -> 08.99	Pre cat Right	250-24423
			M96.20		10.96 -> 08.99	Post cat Left	250-24423
			M96.20		10.96 -> 08.99	Post cat Right	250-24423
2.7	986	162	M96.22		09.99 -> 12.03	Pre cat Left	250-24647
			M96.22		09.99 -> 12.03	Pre cat Right	250-24647
			M96.22		09.99 -> 12.03	Post cat Left	250-24647
			M96.22		09.99 -> 12.03	Post cat Right	250-24647
	986	168	M96.23		01.04 -> 12.04	Pre cat Left	250-24650
			M96.23		01.04 -> 12.04	Pre cat Right	250-24650
			M96.23		01.04 -> 12.04	Post cat Left	250-24650
			M96.23		01.04 -> 12.04	Post cat Right	250-24650
S 3.2	986	185	M96.21		09.99 -> 12.03	Pre cat Left	250-24647
			M96.21		09.99 -> 12.03	Pre cat Right	250-24647
			M96.21		09.99 -> 12.03	Post cat Left	250-24647
			M96.21		09.99 -> 12.03	Post cat Right	250-24647
	986	196	M96.24		01.04 -> 10.04	Pre cat Left	250-24650
					01.04 -> 10.04	Pre cat Right	250-24650
					01.04 -> 10.04	Post cat Left	250-24650
					01.04 -> 10.04	Post cat Right	250-24650
<b>CAYENNE</b>							
3.2					01.04 -> 12.06	Pre cat Left	250-25003
					01.04 -> 12.06	Pre cat Right	250-25007
					01.04 -> 12.06	Post cat Left	250-24494
					01.04 -> 12.06	Post cat Right	250-24432
3.6			M55.01		01.08 -> 12.08	Pre cat Left	250-25035
					01.08 -> 12.08	Pre cat Right	250-25035
			M55.01		01.08 -> 12.08	Post cat Left	250-24682
					01.08 -> 12.08	Post cat Right	250-24682
4.5				Non-Turbo	01.03 -> 12.06	Pre cat Left	250-25008
				Non-Turbo	01.03 -> 12.06	Pre cat Right	250-25004
				Non-Turbo	01.03 -> 12.06	Post cat Left	250-24494
				Non-Turbo	01.03 -> 12.06	Post cat Right	250-24494
				Turbo	01.03 -> 12.06	Pre cat Left	250-25003
				Turbo	01.03 -> 12.06	Pre cat Right	250-25003
				Turbo	01.03 -> 12.06	Post cat Left	250-24494
				Turbo	01.03 -> 12.06	Post cat Right	250-24494
4.8			M48.01		01.08 -> 12.08	Pre cat Left	250-25031
			M48.01		01.08 -> 12.08	Pre cat Right	250-25031
			M48.01		01.08 -> 12.08	Post cat Left	250-24682
			M48.01		01.08 -> 12.08	Post cat Right	250-24682
			M48.51		01.08 -> 12.08	Pre cat Left	250-25025
			M48.51		01.08 -> 12.08	Pre cat Right	250-25034
			M48.51		01.08 -> 12.08	Post cat Left	250-24671
			M48.51		01.08 -> 12.08	Post cat Right	250-24699



Model / Liter	Body Code	kW	Engine Code	Application Identifier Engine or Chassis	Year From→ To	Position	Walker Direct Fit
<b>PORSCHE (cont'd)</b>							
<b>CAYENNE (cont'd)</b>							
4.8				To Engine # 838 07240	01.08 -> 12.08	Pre cat Left	250-25018
				To Engine # 838 07240	01.08 -> 12.08	Pre cat Right	250-25018
				To Engine # 838 07240	01.08 -> 12.08	Post cat Left	250-24682
				To Engine # 838 07240	01.08 -> 12.08	Post cat Right	250-24682
				From Engine # 838 07241	01.08 -> 12.08	Pre cat Left	250-25031
				From Engine # 838 07241	01.08 -> 12.08	Pre cat Right	250-25031
				From Engine # 838 07241	01.08 -> 12.08	Post cat Left	250-24682
				From Engine # 838 07241	01.08 -> 12.08	Post cat Right	250-24682
<b>CAYMAN</b>							
2.7			H6		01.07 -> 12.08	Pre cat Left	250-25015
			H6		01.07 -> 12.08	Pre cat Right	250-25015
			H6		01.07 -> 12.08	Post cat Left	250-24682
			H6		01.07 -> 12.08	Post cat Right	250-24682
3.4			H6		01.06 -> 12.08	Pre cat Left	250-25015
			H6		01.06 -> 12.08	Pre cat Right	250-25015
			H6		01.06 -> 12.08	Post cat Left	250-24682
			H6		01.06 -> 12.08	Post cat Right	250-24682
<b>RENAULT</b>							
<b>CLIO I</b>							
1.2	B/C_, 5/357	40	C3G720		03.96 -> 02.96	Pre cat	250-22063
			D7F730		01.96 -> 02.98		250-23141
			E7F706		01.91 -> 01.96		250-23828
	B/C_, 5/357	43	C3G720		10.94 -> 02.96		250-22063
			D7F730		03.96 -> 02.98		250-23141
			E7F7_		09.09 -> 02.98		250-23828
			E7F_		01.94 -> 02.98		250-23003
1.4	B/C_, 5/357	55	E7J756		03.96 -> 02.98		250-23003
			E7J757		03.96 -> 02.98		250-23828
	B/C_, 5/357	58	E7J7_		01.91 -> 02.96		250-23828
			E7J754		03.96 -> 02.98		250-23003
	B/C_, 5/357	59	E7_		01.91 -> 02.98		250-23828
			E7J754		01.94 -> 02.98		250-23003
1.8	B/C_, 5/357	65	F3P7_		01.91 -> 02.98		250-23828
	B/C_, 5/357	66	F3P7_		08.94 -> 12.96		250-23828
	B/C_, 5/357	70	F3P710		01.91 -> 02.98		250-23828
1.8 16V	B/C_, 5/357	99	F7P722		01.91 -> 03.96		250-23828
1.8 Rsi	B/C_, 5/357	79	F3P758		03.96 -> 02.98		250-23828
	B/C_, 5/357	80	F3P712		01.93 -> 08.95		250-23828
Williams	B/C_, 5/357	108	F7R700		01.94 -> 09.98		250-23828
<b>CLIO I Box</b>							
1.2	S57_	40	E7F706		01.91 -> 02.98		250-23828
	S57_	44	E7F700		01.91 -> 02.96		250-23828
<b>CLIO II</b>							
1.2	BB_, CB2_	43	D7F7_		09.98 ->		250-23141
			D7F7_		09.98 ->	Pre cat	250-24585
1.2 16V	BB_, CB2_	55	D4F7_		06.01 ->	Pre cat	250-24568
			D4F7_		06.01 ->	Post cat	250-24568
1.4	BB_, CB2_	55	E7J634		12.98 -> 05.05		250-24781
1.4 16V	BB_, CB2_	70	K4J7_		10.99 -> 08.00	Pre cat	250-24585
			K4J7_		10.99 -> 08.00	Post cat	250-24585
	BB_, CB2_	72	K4J7_		04.01 ->	Pre cat	250-24585
			K4J7_		04.01 ->	Post cat	250-24585
1.6 16V	BB_, CB2_	79	K4M7_		09.98 ->	Pre cat	250-24585
			K4M7_		09.98 ->	Post cat	250-24585
			K4M748		09.98 ->	Post cat	250-24568
2.0 16V Sport	BB_, CB2_	124	F4R7_		04.01 ->	Pre cat	250-24585
			F4R7_		04.01 ->	Post cat	250-24585
2.0 16V Sport	BB_, CB2_	132	F4R738		01.04 ->	Pre cat	250-24585
			F4R738		01.04 ->	Post cat	250-24585
3.0 V6 Sport	BB_, CB2_	166	L7X760		11.00 -> 03.01	Pre cat Left	250-24409
			L7X760		11.00 -> 03.01	Pre cat Right	250-24409
			L7X760		11.00 -> 03.01	Post cat Left	250-24409
			L7X760		11.00 -> 03.01	Post cat Right	250-24409
	BB_, CB2_	187	L7X762		12.02 -> 05.05	Pre cat Left	250-24841
			L7X762		12.02 -> 05.05	Pre cat Right	250-24841
			L7X762		12.02 -> 05.05	Post cat Left	250-24841
			L7X762		12.02 -> 05.05	Post cat Right	250-24841





Model / Liter	Body Code	Engine kW	Engine Code	Application Identifier Engine or Chassis	Year From→To	Position	Walker Direct Fit	
<b>RENAULT (cont'd)</b>								
<b>CLIO II Box</b>								
1.1	SB_	43	D7F7_ D7F7_ D7F7_		09.98 -> 04.01 -> 04.01 ->	Pre cat Post cat	250-23141 250-24585 250-24585	
<b>CLIO III</b>								
1.2 16V	BR_ CR_	48	D4F740 D4F740		09.05 -> 09.05 ->	Pre cat Post cat	250-24568 250-24568	
1.2 16V	BR_ CR_	55	D4F740 D4F740		09.05 -> 09.05 ->	Pre cat Post cat	250-24568 250-24568	
1.4 16V	BR_ CR_	72	K4J780 K4J780		09.05 -> 09.05 ->	Pre cat Post cat	250-24585 250-24585	
1.6 16V	BR_ CR_	65	K4M8_ K4M8_		09.05 -> 09.05 ->	Pre cat Post cat	250-24585 250-24585	
	BR_ CR_	82	K4M8_ K4M8_		09.05 -> 09.05 ->	Pre cat Post cat	250-24585 250-24585	
2.0 16V Sport	BR_ CR_	145	F4R830 F4R830		06.06 -> 06.06 ->	Pre cat Post cat	250-24585 250-24585	
<b>CLIO Grandtour</b>								
1.6 16V	KR_	82	K4M8_ K4M8_		02.08 -> 02.08 ->	Pre cat Post cat	250-24585 250-24585	
<b>ESPACE III</b>								
2.0	JE0_	84	F3R7_ F4R7_		11.96 -> 06.00 09.01 -> 10.02	Pre cat	250-24549 250-24585	
	JE0_	102	F4R7_ F4R7_		09.01 -> 10.02 12.98 -> 10.02	Post cat Pre cat	250-24585 250-24585	
2.0 16V	JE0_	103	F4R7_ F4R7_		12.98 -> 10.02 12.98 -> 10.02	Pre cat Post cat	250-24585 250-24585	
3.0	JE0_	123	Z7X775		11.96 -> 06.98		250-24830	
3.0 V6 24V	JE0_	140	L7X727		10.98 -> 10.02	Post cat	250-24109	
<b>ESPACE IV</b>								
2.0	JK0/1_	100	F4R7_ F4R7_		11.02 -> 11.02 ->	Pre cat Post cat	250-24585 250-24585	
	JK0/1_	125	F4R7_ F4R7_		04.05 -> 02.06 04.05 -> 02.06	Pre cat Post cat	250-24585 250-24585	
2.0 Turbo	JK0/1_	120	F4R7_ F4R7_		11.02 -> 02.06 11.02 -> 02.06	Pre cat Post cat	250-24585 250-24585	
3.5 V6	JK0/1_	177	V4Y7_ V4Y7_ V4Y7_ V4Y7_		11.02 -> 11.02 -> 11.02 -> 11.02 ->	Pre cat Pre cat Post cat Post cat	Left Right Left Right	250-24452 250-24452 250-24403 250-24403
<b>LAGUNA</b>								
1.6 16V	B56_ 556_	79	K4M720 K4M720		05.98 -> 12.00 05.98 -> 12.00	Pre cat Post cat	250-24585 250-24568	
1.8	B56_ 556_	66	F3P670 F3P678		08.95 -> 04.98 08.95 -> 03.01		250-24549 250-23005	
	B56_ 556_	69	F3P7_ F3P6_ F3P724		01.94 -> 11.95 05.98 -> 12.00 08.95 -> 01.96		250-23005 250-24549 250-23005	
1.8 16V	B56_ 556_	88	F4P760		09.98 -> 12.00		250-24585	
2.0	B56_ 556_	70	F3R768		05.98 -> 12.00		250-24549	
	B56_ 556_	80	F3R_		03.99 -> 12.00		250-24549	
	B56_ 556_	83	F3R7_ F3R7_		01.94 -> 05.96 07.95 -> 04.98		250-23005 250-24549	
2.0 16V	B56_ 556_	102	N7Q7_ F4R780		06.95 -> 12.00 10.99 -> 12.00		250-24829 250-24585	
3.0	B56_ 556_	123	Z7X7_ Z7X767		01.94 -> 12.96 08.96 -> 04.98		250-23828 250-24830	
3.0 24V	B56_ 556_	140	L7X7_		07.97 -> 12.00	Post cat	250-24109	
<b>LAGUNA Grandtour</b>								
1.6 16V	K56_	79	K4M720 K4M720		05.98 -> 12.00 05.98 -> 12.00	Pre cat Post cat	250-24585 250-24568	
1.8	K56_	66	F3P670 F3P678		09.95 -> 04.98 09.95 -> 04.98		250-24549 250-23005	
	K56_	69	F3P6_ F3P724		05.99 -> 12.00 09.95 -> 04.98		250-24549 250-23005	
1.8 16V	K56_	88	F4P760		05.98 -> 12.00		250-24585	
2.0	K56_	83	F3R7_ F3R_		09.95 -> 08.96 09.95 -> 12.00		250-23005 250-24549	
2.0 16V	K56_	102	N7Q7_ F4R780		09.95 -> 12.00 10.99 -> 12.00		250-24829 250-24585	



Model / Liter	Body Code	kW	Engine Code	Application Identifier Engine or Chassis	Year From → To	Position	Walker Direct Fit	
<b>RENAULT (cont'd)</b>								
<b>LAGUNA Grandtour (cont'd)</b>								
3.0	K56_	123	Z7X765 Z7X767		02.96 → 11.96 11.96 → 04.98		250-23828 250-24830	
<b>LAGUNA II</b>								
1.6 16V	BG0/1_	79	K4M7_		03.01 →	Pre cat	250-24585	
			K4M7_		03.01 →	Post cat	250-24585	
	BG0/1_	82	K4M716		03.05 →	Pre cat	250-24585	
			K4M716		03.05 →	Post cat	250-24585	
1.8 16V	BG0/1_	85	F4P7_		03.01 →	Pre cat	250-24585	
			F4P7_		03.01 →	Post cat	250-24585	
	BG0/1_	88	F4P7_		03.01 →	Pre cat	250-24585	
			F4P7_		03.01 →	Post cat	250-24585	
	BG0/1_	89	F4P7_		03.01 →	Pre cat	250-24585	
			F4P7_		03.01 →	Post cat	250-24585	
2.0 16V	BG0/1_	99	F4R7_		08.02 →	Pre cat	250-24585	
			F4R7_		08.02 →	Post cat	250-24585	
2.0 16V	BG0/1_	125	F4R787		03.05 →	Pre cat	250-24585	
			F4R787		03.05 →	Post cat	250-24585	
	BG0/1_	150	F4R7_		03.05 →	Pre cat	250-24585	
			F4R7_		03.05 →	Post cat	250-24585	
2.0 16V IDE	BG0/1_	103	F5R7_		04.01 →	Pre cat	250-24585	
			F5R7_		04.01 →	Post cat	250-24585	
2.0 16V Turbo	BG0/1_	120	F4R7_		03.03 →	Pre cat	250-24585	
			F4R7_		03.03 →	Post cat	250-24585	
3.0 V6 24V	BG0/1_	152	L7X7_		03.01 →	Pre cat	250-24409	
			L7X7_		03.01 →	Pre cat	Right	250-24409
			L7X7_		03.01 →	Post cat	Left	250-24409
			L7X7_		03.01 →	Post cat	Right	250-24409
<b>LAGUNA II Grandtour</b>								
1.6 16V	KG0/1_	79	K4M7_		03.01 →	Pre cat	250-24585	
			K4M7_		03.01 →	Post cat	250-24585	
	KG0/1_	82	K4M7_		03.05 →	Pre cat	250-24585	
			K4M7_		03.05 →	Post cat	250-24585	
1.8 16V	KG0/1_	85	F4P_		03.01 →	Pre cat	250-24585	
			F4P_		03.01 →	Post cat	250-24585	
	KG0/1_	88	F4P7_		03.01 →	Pre cat	250-24585	
			F4P7_		03.01 →	Post cat	250-24585	
	KG0/1_	89	F4P7_		03.05 →	Pre cat	250-24585	
			F4P7_		03.05 →	Post cat	250-24585	
2.0 16V	KG0/1_	99	F4R7_		08.02 →	Pre cat	250-24585	
			F4R7_		08.02 →	Post cat	250-24585	
	KG0/1_	125	F4R787		03.05 →	Pre cat	250-24585	
			F4R787		03.05 →	Post cat	250-24585	
	KG0/1_	150	F4R7_		03.05 →	Pre cat	250-24585	
			F4R7_		03.05 →	Post cat	250-24585	
2.0 16V IDE	KG0/1_	103	F4R7_		04.01 →	Pre cat	250-24585	
			F4R7_		04.01 →	Post cat	250-24585	
2.0 16V Turbo	KG0/1_	120	F4R7_		03.03 →	Pre cat	250-24585	
			F4R7_		03.03 →	Post cat	250-24585	
3.0 V6 24V	KG0/1_	152	L7X7_		03.01 →	Pre cat	250-24409	
			L7X7_		03.01 →	Post cat	250-24409	
<b>MEGANE Cabriolet</b>								
1.4 16V	EA0/1_	70	K4J7_		03.99 →	Pre cat	250-24585	
			K4J7_		03.99 →	Post cat	250-24585	
1.6 16V	EA0/1_	79	K4J7_		03.99 →	Pre cat	250-24585	
			K4J7_		03.99 →	Post cat	250-24585	
1.6 e	EA0/1_	66	K7M702		02.97 → 02.99		250-23828	
2.0	EA0/1_	84	F3R7_		04.97 → 12.98		250-24549	
2.0 16V	EA0/1_	102	F4R746		01.02 →	Pre cat	250-24585	
			F4R746		01.02 →	Post cat	250-24585	
	EA0/1_	108	F7R7_		02.97 → 12.98		250-24549	
	EA0/1_	80	F3R791		03.99 →		250-24549	
<b>MEGANE Classic</b>								
1.4	LA0/1_	55	E7J764		09.96 → 02.99		250-23828	
			E7J626		03.99 → 10.00		250-24781	
1.4 16V	LA0/1_	70	K4J7_		03.99 → 08.02	Pre cat	250-24585	
			K4J7_		03.99 → 08.02	Post cat	250-24585	
1.6 16V	LA0/1_	79	K4J7_		03.99 → 08.02	Pre cat	250-24585	
			K4J7_		03.99 → 08.02	Post cat	250-24585	
1.6 e	LA0/1_	66	K7M7_		09.96 → 02.99		250-23828	



Model / Liter	Body Code	Engine kW	Engine Code	Application Identifier Engine or Chassis	Year From→To	Position	Walker Direct Fit
<b>RENAULT (cont'd)</b>							
<b>MEGANE Classic (cont'd)</b>							
1.6 i	LA0/1_	55	K7M720		09.96 -> 02.99		250-23828
1.8 16V	LA0/1_	85	F4P7_		01.01 -> 08.02	Pre cat	250-24585
			F4P7_		01.01 -> 08.02	Post cat	250-24585
2.0 i	LA0/1_	84	F3R7_		09.96 -> 10.98		250-24549
<b>MEGANE Coach</b>							
1.4 16V	DA0/1_	70	K4J7_		03.99 ->	Pre cat	250-24585
			K4J7_		03.99 ->	Post cat	250-24585
1.6 16V	DA0/1_	79	K4M7_		03.99 -> 09.02	Pre cat	250-24585
			K4M7_		03.99 -> 09.02	Post cat	250-24585
1.6 e	DA0/1_	66	K7M7_		03.96 -> 02.99		250-23828
2.0 16V	DA0/1_	102	F4R746		01.02 -> 09.02	Pre cat	250-24585
			F4R746		01.02 -> 09.02	Post cat	250-24585
2.0 i	DA0/1_	108	F7R7_		03.96 -> 11.99		250-24549
			84	F3R7_		03.96 -> 02.99	
<b>MEGANE Grandtour</b>							
1.4 16V	KA0/1_	70	K4J7_		03.99 ->	Pre cat	250-24585
			K4J7_		03.99 ->	Post cat	250-24585
1.4 e	KA0/1_	55	E7J626		03.99 -> 10.00		250-24781
1.6 16V	KA0/1_	79	K4M7_		03.99 ->	Pre cat	250-24585
			K4M7_		03.99 ->	Post cat	250-24585
1.6 e	KA0/1_	66	K7M702		03.99 -> 10.00		250-23828
1.8 16V	KA0/1_	85	F4P7_		01.01 ->	Pre cat	250-24585
			F4P7_		01.01 ->	Post cat	250-24585
<b>MEGANE I</b>							
1.4 16V	BA0/1_	70	K4J7_		03.99 -> 08.02	Pre cat	250-24585
			K4J7_		03.99 -> 08.02	Post cat	250-24585
1.4 e	BA0/1_	55	E7J_		02.99 -> 10.00		250-24781
			E7J764		01.96 -> 02.99		250-23828
1.4 Eco	BA0/1_	52	E7J624		01.96 -> 02.99		250-23828
1.6 16V	BA0/1_	79	K4M7_		03.99 ->	Pre cat	250-24585
			K4M7_		03.99 ->	Post cat	250-24585
1.6 e	BA0/1_	66	K7M7_		01.96 -> 03.99		250-23828
1.6 i	BA0/1_	55	K7M7_		01.96 -> 02.99		250-23828
1.8 16V	BA0/1_	85	F4P7_		01.01 -> 08.02	Pre cat	250-24585
			F4P7_		01.01 -> 08.02	Post cat	250-24585
2.0 16V	BA0/1_	108	F7R7_		07.96 -> 12.98		250-24549
2.0 i	BA0/1_	80	F3R791		03.99 ->		250-24549
			84	F3R7_		01.96 ->	
<b>MEGANE II</b>							
1.4 16V	BM_, CM_	60	K4J732		10.03 ->	Pre cat	250-24585
			K4J732		10.03 ->	Post cat	250-24585
	BM_, CM_	72	K4J730		11.02 ->	Pre cat	250-24585
			K4J730		11.02 ->	Post cat	250-24585
1.6	BM_, CM_	77	K4M764		06.05 ->	Pre cat	250-24585
			K4M764		06.05 ->	Post cat	250-24585
1.6 16V	BM_, CM_	83	K4M7_		11.02 ->	Pre cat	250-24585
			K4M7_		11.02 ->	Post cat	250-24585
1.9 dCi	BM_, CM_	88	F9Q818		05.05 ->	Pre cat	250-25035
2.0 16V	BM_, CM_	99	F4R7_		11.02 ->	Pre cat	250-24585
			F4R7_		11.02 ->	Post cat	250-24585
2.0 16V Turbo	BM_, CM_	120	F4R776		05.04 ->	Pre cat	250-24585
			F4R776		05.04 ->	Post cat	250-24585
2.0 RENAULT Sport	BM_, CM_	165	F4R774		05.04 ->	Pre cat	250-24585
			F4R774		05.04 ->	Post cat	250-24585
<b>MEGANE II Coupé-Cabriolet</b>							
1.6	EM0/1_	83	K4M7_		09.03 ->	Pre cat	250-24585
			K4M7_		09.03 ->	Post cat	250-24585
1.6 16V	EM0/1_	82	K4M8_		01.07 ->	Pre cat	250-24585
			K4M8_		01.07 ->	Post cat	250-24585
1.9 dCi	EM0/1_	88	F9Q818		05.05 ->	Pre cat	250-25035
2.0	EM0/1_	99	F4R7_		09.03 ->	Pre cat	250-24585
			F4R7_		09.03 ->	Post cat	250-24585
2.0 16V Turbo	EM0/1_	120	F4R776		05.04 ->	Pre cat	250-24585
			F4R776		05.04 ->	Post cat	250-24585
<b>MEGANE II Grandtour</b>							
1.4	KM0/1_	72	K4J730		08.03 ->	Pre cat	250-24585
			K4J730		08.03 ->	Post cat	250-24585
1.6	KM0/1_	83	K4M7_		08.03 ->	Pre cat	250-24585



Model / Liter	Body Code	kW	Engine Code	Application Identifier Engine or Chassis	Year From→ To	Position	Walker Direct Fit
<b>RENAULT (cont'd)</b>							
<b>MEGANE II Grandtour (cont'd)</b>							
1.9 dCi	KM0/1_	88	F9Q800		05.05 ->		250-25035
2.0	KM0/1_	99	F4R7_		08.03 ->	Pre cat	250-24585
			F4R7_		08.03 ->	Post cat	250-24585
<b>MEGANE II Saloon</b>							
1.4	LM0/1_	60	K4J732		09.03 ->	Pre cat	250-24585
			K4J732		09.03 ->	Post cat	250-24585
	LM0/1_	72	K4J730		09.03 ->	Pre cat	250-24585
			K4J730		09.03 ->	Post cat	250-24585
1.6	LM0/1_	83	K4M7_		09.03 ->	Pre cat	250-24585
			K4M7_		09.03 ->	Post cat	250-24585
1.9 dCi	LM0/1_	88	F9Q818		09.03 ->		250-25035
2.0	LM0/1_	99	F4R7_		09.03 ->	Pre cat	250-24585
			F4R7_		09.03 ->	Post cat	250-24585
<b>MEGANE Scenic</b>							
1.4 i	JA0/1_	55	E7J764		01.97 -> 09.99		250-23828
1.6 e	JA0/1_	66	K7M7_		01.97 -> 09.99		250-23828
1.6 i	JA0/1_	55	K7M720		01.97 -> 02.99		250-23828
2.0 i	JA0/1_	80	F3R796		01.99 -> 09.99		250-24549
		84	F3R7_		01.97 -> 09.99		250-24549
<b>SAFRANE I</b>							
2.0	B54_	77	J7R7_		11.92 -> 07.96		250-23005
2.0 12V	B54_	97	J7R7_		05.92 -> 07.96		250-23005
2.2	B54_	79	J7T762		05.92 -> 07.96		250-23005
		101	J7T7_		05.92 -> 07.96		250-23005
3.0 V6	B54_	123	Z7X7_		12.92 -> 07.96		250-23005
3.0 V6 4x4	B54_	123	Z7X722		12.92 -> 07.96		250-23005
3.0 Biturbo 4x4	B54_	193	Z7X726		12.93 -> 07.96		250-23005
<b>SAFRANE II</b>							
2.0 16V	B54_	100	N7Q7_		07.96 -> 11.00		250-24830
2.5 20V	B54_	121	N7U7_		09.96 -> 11.00		250-24134
2.9 24V	B54_	140	L7X713		03.99 -> 11.00	Post cat	250-24109
3.0 V6	B54_	123	Z7X755		09.96 -> 12.98		250-24549
<b>SCÉNIC</b>							
1.4 16V	JA0/1_	70	K4J7_		09.99 -> 04.03	Pre cat	250-24585
			K4J7_		09.99 -> 04.03	Post cat	250-24585
1.6 16V	JA0/1_	79	K4M7_		09.99 -> 04.03	Pre cat	250-24585
			K4M7_		09.99 -> 04.03	Post cat	250-24585
1.8 16V	JA0/1_	85	F4P7_		01.01 -> 04.03	Pre cat	250-24585
		85	F4P7_		01.01 -> 04.03	Post cat	250-24585
2.0 16V	JA0/1_	102	F4R7_		08.00 -> 04.03	Pre cat	250-24585
			F4R7_		08.00 -> 04.03	Post cat	250-24585
2.0 16V IDE	JA0/1_	103	J7T7_		09.99 -> 04.03	Pre cat	250-24585
			J7T7_		09.99 -> 04.03	Post cat	250-24585
2.0 16V RX4	JA0/1_	102	F4R7_		06.00 -> 08.03	Pre cat	250-24585
			F4R7_		06.00 -> 08.03	Post cat	250-24585
<b>SCÉNIC II</b>							
1.4	JM0/1_	72	K4J730		06.03 ->	Pre cat	250-24585
		72	K4J730		06.03 ->	Post cat	250-24585
1.6	JM0/1_	83	K4M7_		06.03 ->	Pre cat	250-24585
			K4M7_		06.03 ->	Post cat	250-24585
1.9 dCi	JM0/1_	88	F9Q818		06.03 ->		250-25035
2.0	JM0/1_	99	F4R7_		06.03 ->	Pre cat	250-24585
			F4R7_		06.03 ->	Post cat	250-24585
2.0 16V Turbo	JM0/1_	120	F4R776		05.04 ->	Pre cat	250-24585
			F4R776		05.04 ->	Post cat	250-24585
<b>SAAB</b>							
<b>9-3</b>							
1.8 i	YS3F	90	Z18XE		01.04 ->		250-24733
1.8 T	YS3F	110	B207E		09.02 -> 12.03	Pre cat	250-24497
			B207E		09.02 -> 12.03	Post cat	250-24842
			B207E		01.04 ->	Pre cat	250-24842
			B207E		01.04 ->	Post cat	250-24353
2.0 i	YS3D	96	B204I		04.98 -> 12.00		250-23079
2.0 SE Turbo	YS3D	147	B204R		04.98 -> 12.98		250-24163
			B204R		01.99 -> 08.02		250-24135
2.0 T	YS3F	129	B207L		09.02 -> 12.03	Pre cat	250-24497
			B207L		09.02 -> 12.03	Post cat	250-24842





Model / Liter	Body Code	Engine kW	Engine Code	Application Identifier Engine or Chassis	Year From→To	Position	Walker Direct Fit
<b>SAAB (cont'd)</b>							
<b>9-3 (cont'd)</b>							
2.0 T	YS3F	129	B207L		12.04 ->	Pre cat	250-24842
			B207L		12.04 ->	Post cat	250-24353
	YS3F	154	B207R		09.02 -> 12.03	Pre cat	250-24497
			B207R		09.02 -> 12.03	Post cat	250-24842
			B207R		01.04 ->	Pre cat	250-24842
			B207R		01.04 ->	Post cat	250-24353
			B207R		09.02 -> 12.03	Pre cat	250-24497
	YS3F	154	B207R		09.02 -> 12.03	Post cat	250-24842
2.0 Turbo	YS3D	110	B205E		01.01 -> 08.02	Pre cat	250-24409
			B205E		01.01 -> 09.02	Post cat	250-24353
	YS3D	113	B204E		10.98 -> 08.02	Pre cat	250-24135
			B204E		10.98 -> 08.02	Post cat	250-24135
	YS3D	136	B204E		10.98 -> 08.02	Pre cat	250-24135
			B204L		04.98 -> 12.98	Pre cat	250-24163
	YS3D	151	B205R		10.99 -> 08.02	Pre cat	250-24409
			B205R		10.99 -> 08.02	Post cat	250-24353
2.3 i	YS3D	110	B234I	Leaded fuel	04.98 -> 12.00		250-23079
2.3 Turbo	YS3D	165	B235R		10.99 -> 09.02	Pre cat	250-24409
			B235R		10.99 -> 09.02	Post cat	250-24353
2.8 Turbo V6	YS3F	184	B284L		06.05 ->	Pre cat	250-25035
			B284L		06.05 ->	Post cat	250-24648
<b>9-3 Cabriolet</b>							
1.8 T	YS3F	110	B207E		08.03 -> 12.03	Pre cat	250-24497
			B207E		08.03 -> 12.03	Post cat	250-24842
			B207E		01.04 ->	Pre cat	250-24842
			B207E		01.04 ->	Post cat	250-24353
2.0 i	YS3D	96	B204I		04.98 -> 12.00		250-23079
2.0 SE Turbo	YS3D	147	B204R	To Ch. No. X2020000, X7020000	04.98 -> 12.98		250-24163
			B204R	Fr Ch. No. X2020001, X7020001	01.99 -> 05.03		250-24135
			B204R	To Ch. No. X2020000, X7020000	04.98 -> 12.98		250-24163
2.0 T	YS3F	129	B207L		08.03 -> 12.03	Pre cat	250-24497
			B207L		08.03 -> 12.03	Post cat	250-24842
			B207L		01.04 ->	Pre cat	250-24842
			B207L		01.04 ->	Post cat	250-24353
	YS3F	154	B207R		08.03 -> 12.03	Pre cat	250-24497
			B207R		08.03 -> 12.03	Post cat	250-24842
			B207R		01.04 ->	Pre cat	250-24842
			B207R		01.04 ->	Post cat	250-24353
2.0 Turbo	YS3D	113	B204E		10.98 -> 08.02	Pre cat	250-24135
			B204E		10.98 -> 08.02	Post cat	250-24135
	YS3D	136	B204L		04.98 -> 12.98	Pre cat	250-24163
			B204L		01.99 -> 05.03	Pre cat	250-24135
	YS3D	151	B205R		10.99 -> 05.03	Pre cat	250-24409
			B205R		10.99 -> 05.03	Post cat	250-24353
	YS3D	110	B205E		01.01 -> 05.03	Post cat	250-24353
			B205E	Fr Ch. No. Y3040001	01.01 -> 05.03	Pre cat	250-24409
2.3 i	YS3D	110	B234I		04.98 -> 12.00		250-23079
2.3 Turbo	YS3D	165	B235R	Lead free fuel	10.99 -> 09.01	Pre cat	250-24409
			B235R		10.99 -> 05.03	Post cat	250-24353
2.8 Turbo V6	YS3F	184	B284L		02.06 ->	Pre cat	250-25035
			B284L		02.06 ->	Post cat	250-24648
<b>9-3 Estate</b>							
1.8 i		90	Z18XE		03.05 ->		250-24733
2.0 T		110	B207E		06.05 ->	Pre cat	250-24841
			B207E		06.05 ->	Post cat	250-24353
		129	B207L		06.05 ->	Pre cat	250-24841
			B207L		06.05 ->	Post cat	250-24353
		154	B207R		06.05 ->	Pre cat	250-24841
		154	B207R		06.05 ->	Post cat	250-24353
2.8 Turbo V6		184	B284L		06.05 ->	Pre cat	250-25035
			B284L		06.05 ->	Post cat	250-24648
<b>9-5</b>							
2.0 T	YS3E	110	B205E		09.97 ->		250-24409
			B205E		09.97 -> 12.00	Pre cat	250-24135
			B205E		09.97 -> 09.01	Post cat	250-24353
2.3 T	YS3E	125	B235E	Lead free fuel	09.97 -> 12.99	Pre cat	250-24135
			B235E		09.97 -> 08.01	Post cat	250-24353
			B235E	Lead free fuel	01.00 -> 08.01	Pre cat	250-24409



Model / Liter	Body Code	kW	Engine Code	Application Identifier Engine or Chassis	Year From→ To	Position	Walker Direct Fit
<b>SAAB (cont'd)</b>							
<b>9-5 (cont'd)</b>							
2.0 T Biopower	YS3E	132			02.06 ->	Pre cat	250-24409
					02.06 ->	Post cat	250-24353
2.0 Turbo SE	YS3E	141			10.98 -> 07.00	Pre cat	250-24135
					10.98 -> 07.00	Post cat	250-24353
2.3 T	YS3E	136	B235E		01.01 ->	Pre cat	250-24409
			B235E		01.01 ->	Post cat	250-24353
2.3 Turbo	YS3E	162	B235L		09.03 ->	Pre cat	250-24409
			B235L		09.03 ->	Post cat	250-24353
	YS3E	169	B235R		10.99 -> 12.99	Pre cat	250-24135
			B235R		10.99 -> 08.01	Post cat	250-24353
			B235R	Lead free fuel	01.00 -> 08.01	Pre cat	250-24409
	YS3E	184	B235R		09.01 ->	Pre cat	250-24409
			B235R		09.01 ->	Post cat	250-24353
	YS3E	191	B235R		11.05 ->	Pre cat	250-24409
			B235R		11.05 ->	Post cat	250-24353
3.0 V6t	YS3E	147	B308E	To Ch. No. Y3040000	01.98 ->	Post cat	250-24177
			B308E	To Ch. No. Y3040000	09.01 ->	Pre cat	250-24135
			B308E	Fr Ch. No. Y3040000	01.98 -> 08.03	Pre cat	250-24409
			B308E	Fr Ch. No. Y3040000	01.98 -> 08.03	Post cat	250-24410
<b>9-5 Estate</b>							
2.0 T	YS3E	110	B205E		10.98 -> 12.00	Pre cat	250-24135
			B205E		10.98 -> 08.01	Post cat	250-24353
			B205E-E4		01.01 -> 08.01	Pre cat	250-24409
			B205E		02.06 ->	Pre cat	250-24409
			B205E-E4		02.06 ->	Post cat	250-24353
	YS3E	141			01.01 -> 08.01	Pre cat	250-24409
					09.99 -> 08.00	Pre cat	250-24135
					10.98 -> 08.01	Post cat	250-24353
2.0 T Biopower	YS3E	132			02.06 ->	Pre cat	250-24409
					02.06 ->	Post cat	250-24353
2.3 T	YS3E	125	B235E		10.98 -> 12.99	Pre cat	250-24135
			B235E		10.98 -> 08.01	Post cat	250-24353
			B235E		01.00 -> 08.01	Pre cat	250-24409
	YS3E	136	B235E		01.01 ->	Pre cat	250-24409
			B235E		01.01 ->	Post cat	250-24353
2.3 Turbo	YS3E	162	B235L		09.03 ->	Pre cat	250-24409
			B235L		09.03 ->	Post cat	250-24353
	YS3E	169	B235R		10.99 -> 08.01	Post cat	250-24353
			B235R		10.99 -> 12.99	Pre cat	250-24135
			B235R	Lead free fuel	10.99 -> 08.01	Pre cat	250-24409
	YS3E	184	B235R		09.01 ->	Pre cat	250-24409
			B235R		09.01 ->	Post cat	250-24353
	YS3E	191	B235R		01.06 ->	Pre cat	250-24409
			B235R		01.06 ->	Post cat	250-24353
3.0 V6t	YS3E	147	B308E	To Ch. No. Y3040000	10.98 ->	Pre cat	250-24135
			B308E	To Ch. No. Y3040000	10.98 ->	Post cat	250-24177
			B308E	Fr Ch. No. Y3040000	10.98 -> 08.01	Pre cat	250-24409
			B308E	Fr Ch. No. Y3040000	10.98 -> 08.01	Post cat	250-24410
<b>9-7X</b>							
4.2					01.05 -> 12.05	Pre cat	250-24654
					01.05 -> 12.05	Post cat	250-24339
					01.06 -> 12.07	Pre cat	250-24698
					01.06 -> 12.07	Post cat	250-24703
					01.08 -> 12.08	Pre cat	250-24698
					01.08 -> 12.08	Post cat	250-24708
5.3					01.05 -> 12.05	Pre cat Left	250-24470
					01.05 -> 12.05	Pre cat Right	250-24470
					01.05 -> 12.05	Post cat Left	250-24267
					01.05 -> 12.05	Post cat Right	250-24267
					01.06 -> 12.06	Pre cat Left	250-24704
				1st Design Exhaust	01.06 -> 12.06	Pre cat Right	250-24704
				1st Design Exhaust	01.06 -> 12.06	Post cat Left	250-24339
				1st Design Exhaust	01.06 -> 12.06	Post cat Right	250-24339
				2nd Design Exhaust	01.06 -> 12.06	Pre cat Left	250-24704
				2nd Design Exhaust	01.06 -> 12.06	Pre cat Right	250-24704
				2nd Design Exhaust	01.06 -> 12.06	Post cat Left	250-24649
				2nd Design Exhaust	01.06 -> 12.06	Post cat Right	250-24649



Model / Liter	Body Code	Engine kW	Engine Code	Application Identifier Engine or Chassis	Year From→To	Position	Walker Direct Fit
<b>SAAB (cont'd)</b>							
<b>9-7X (cont'd)</b>							
5.3					01.07 -> 12.07	Pre cat Left	250-24704
					01.07 -> 12.07	Pre cat Right	250-24704
					01.07 -> 12.07	Post cat Left	250-24649
					01.07 -> 12.07	Post cat Right	250-24649
					01.08 -> 12.08	Pre cat Left	250-24704
					01.08 -> 12.08	Pre cat Right	250-24704
					01.08 -> 12.08	Post cat Left	250-24703
					01.08 -> 12.08	Post cat Right	250-24491
6.0					01.08 -> 12.08	Pre cat Left	250-24704
					01.08 -> 12.08	Pre cat Right	250-24704
					01.08 -> 12.08	Post cat Left	250-24703
					01.08 -> 12.08	Post cat Right	250-24491
<b>SEAT</b>							
<b>ALTEA</b>							
1.8 TFSI	5P1	118	BZB		04.08 ->		250-24671
1.9 TDI	5P1	77	BLS		10.05 ->		250-25035
2.0 TDI	5P1	103	BMM		11.05 ->		250-25035
2.0 TDI 16V	5P1	103	BMM		11.05 ->		250-25015
2.0 TFSI	5P1	147	BWA		05.06 ->	Pre cat	250-25035
			BWA		05.06 ->	Post cat	250-24699
<b>ALTEA XL</b>							
1.8 TFSI	5P5	118	BZB		04.08 ->		250-24671
1.9 TDI	5P5	77	BLS		10.06 ->		250-25035
2.0 TDI	5P5	103	BMM		10.06 ->		250-25035
2.0 TFSI 4WD	5P5	147	BWA		06.07 ->	Pre cat	250-25035
			BWA		06.07 ->	Post cat	250-24699
<b>CORDOBA</b>							
1.0 i	6K2, C2	37	AER	To Ch. No. 6K..X..127 000	06.97 -> 10.98		250-24147
			AER	Fr. Ch. No. X..127 001	10.98 -> 04.99		250-24558
1.2	6L2	47	AZQ		10.02 -> 04.04	Pre cat	250-25003
			AZQ		10.02 -> 04.04	Post cat	250-24495
			BME		11.04 -> 06.06	Pre cat	250-24797
			BME		11.04 -> 06.06	Post cat	250-24495
1.2 12V	6L2	51	BXV		05.06 ->	Pre cat	250-24797
			BXV		05.06 ->	Post cat	250-24495
1.4 i	6K2, C2	44	ABD,AEX	To Ch. No. V 165 000	12.94 -> 04.97		250-24719
			AKV,ANX,APQ	Fr. Ch. No. V 165 001, To Ch. No. X 127 000	04.97 -> 10.98		250-24147
			AKV,APQ	Fr. Ch. No. X..127 001	10.98 -> 04.99		250-24558
1.6	6L2	74	BAH		04.03 ->	Pre cat	250-24495
			BAH		04.03 ->	Post cat	250-24431
1.6 i	6K2, C2	55	1F		07.96 -> 04.99		250-24719
			1F	Fr. Ch. No. TR 075 001	02.94 -> 06.96		250-24719
			AEE,ALM		09.97 -> 04.99		250-24547
	6K2, C2	74	AFT		07.96 -> 04.99		250-24194
1.8 i	6K2, C2	66	ABS	Fr. Ch. No. TR 075 001	02.94 -> 04.99		250-24719
1.8 i 16V	6K2, C2	95	ADL		02.94 -> 06.96		250-24066
2.0	6L2	85	BBX		04.03 ->		250-24431
2.0 i	6K2, C2	85	2E		09.93 -> 06.96		250-24066
			AGG		04.96 -> 04.99		250-24194
2.0 i 16V	6K2, C2	110	ABF		08.96 -> 04.99		250-24307
<b>CORDOBA Hatchback</b>							
1.0	6K2	37	ALD		08.99 -> 08.02		250-24494
			ANV,AUC		08.99 -> 10.02	Pre cat	250-25002
			ANV,AUC		08.99 -> 08.02	Post cat	250-24427
1.0 16V	6K2	51	AVZ		05.00 -> 08.02	Pre cat	250-24558
1.4	6K2	44	AKK		08.99 -> 08.02	Pre cat	250-24494
			ANW		08.99 -> 08.02	Pre cat	250-25002
			ANW	To Ch. No. 1 148 000	08.99 -> 08.02	Post cat	250-24427
			AUD		08.99 -> 08.02	Pre cat	250-25002
			AUD	To Ch. No. 1 148 000	08.99 -> 08.02	Post cat	250-24427
			AUD	Fr. Ch. No. 6K..1..148 001	10.00 -> 05.02	Post cat	250-24494
			AUD	To Ch. No. 2 205 000	10.00 -> 05.02	Post cat	250-24494
			AUD	Fr. Ch. No. 2-205 001	05.02 -> 08.02	Post cat	250-24495
1.6	6K2	55	ALM		06.99 -> 08.02		250-24547
		74	AEH,AKL		06.99 -> 08.02		250-24494
1.8 T 20V Cupra	6K2	115	AQX,AYP		07.00 -> 08.02	Pre cat	250-24431
			AQX,AYP		07.00 -> 08.02	Post cat	250-24427



Model / Liter	Body Code	kW	Engine Code	Application Identifier Engine or Chassis	Year From→To	Position	Walker Direct Fit
<b>SEAT (cont'd)</b>							
<b>CORDOBA Vario</b>							
1.4	6K5	44	AKK		06.99 -> 08.02		250-24494
			ANW		06.99 -> 08.02	Pre cat	250-25002
			ANW		06.99 -> 08.02	Post cat	250-24427
			AUD		06.99 -> 08.02	Pre cat	250-25002
			AUD	Fr. Ch. No. 1 148 001, To Ch. No. 2 205 000	10.00 -> 05.02	Post cat	250-24494
			AUD	Fr. Ch. No. 2-205 001	05.02 -> 08.02	Post cat	250-24495
			AUD	To Ch. No. 6K..1..148 000	06.00 -> 10.00	Post cat	250-24427
1.4 i	6K5	44	AEX,AKV		05.97 -> 10.98		250-24147
			ANX,APQ		05.97 -> 10.98		250-24147
			AKV,APQ	Fr. Ch. No. X 127 001	10.98 -> 05.99		250-24558
1.6	6K5	55	ALM		06.99 -> 08.02		250-24547
		74	AEH,AKL		06.99 -> 08.02		250-24494
1.6 i	6K5	55	1F		05.97 -> 05.99		250-24719
			AEE		05.97 -> 12.98		250-24547
		74	AFT		04.98 -> 05.99		250-24594
<b>IBIZA II</b>							
1.0 i	6K1	37	AER	Fr. Ch. No. 6K..X..127 001	10.98 -> 06.99		250-24558
			AER	Fr. Ch. No. 6K.V..165 001	04.97 -> 10.98		250-24147
			AER	To Ch. No. 6K..X..127 000	04.97 -> 10.98		250-24147
			AER	To Ch. No. V 165 000	09.96 -> 04.97		250-24719
1.4 i	6K1	44	ABD,AEX	To Ch. No. V 165 000	12.94 -> 04.97		250-24719
			AEX,AKV,APQ;	Fr. Ch. No. X 127 001	10.98 -> 06.99		250-24558
			AEX,AKV,APQ,ANX;	Fr. Ch. No. V 165 001	04.97 -> 10.98		250-24147
			AEX,AKV,APQ,ANX;	To Ch. No. X 127 000	04.97 -> 10.98		250-24147
1.4 i 16V	6K1	74	AFH		06.97 -> 06.99		250-24547
1.6 i	6K1	55	1F		09.94 -> 06.99		250-24719
			AEE,ALM		09.97 -> 06.99		250-24547
		74	AFT		04.96 -> 06.99		250-24194
1.8 i	6K1	66	ABS	A/T	03.93 -> 06.96		250-23023
			ABS	M/T	12.93 -> 06.99		250-24719
1.8 i 16V	6K1	95	ADL		02.94 -> 06.96		250-24066
2.0 i	6K1	85	2E		03.93 -> 06.96		250-24066
			AGG		07.95 -> 06.99		250-24194
2.0 i 16V	6K1	110	ABF		08.96 -> 06.99		250-24307
<b>IBIZA III</b>							
1.0	6K1	37	ALD		08.99 -> 11.01		250-24494
			ANV,AUC		08.99 -> 11.01	Pre cat	250-25002
			ANV,AUC		08.99 -> 11.01	Post cat	250-24427
1.0 16V	6K1	51	AVZ		05.00 -> 11.01		250-24558
1.4	6K1	44	AKK		08.99 -> 11.01		250-24494
			ANW		08.99 -> 11.01	Pre cat	250-25002
			ANW	To Ch. No. 6K..1..148 500	08.99 -> 11.01	Post cat	250-24427
			AUD		08.99 -> 11.01	Pre cat	250-25002
			AUD	To Ch. No. 6K..1..148 500	08.99 -> 11.01	Post cat	250-24427
			AUD	Fr. Ch. No. 1 148 501	10.00 -> 11.01	Post cat	250-24494
1.6	6K1	55	ALM		08.99 -> 11.01		250-24547
		74	AEH,AKL		08.99 -> 11.01		250-24494
1.8 T 20V Cupra	6K1	115	AYP,AQX		07.00 -> 11.01	Pre cat	250-24431
			AYP,AQX		07.00 -> 11.01	Post cat	250-24427
<b>IBIZA IV</b>							
1.2	6L1	47	AZQ		02.02 -> 04.04	Pre cat	250-25003
			AZQ		02.02 -> 04.04	Post cat	250-24495
			BME		11.04 -> 06.06	Pre cat	250-24797
			BME		11.04 -> 06.06	Post cat	250-24495
1.2 12V	6L1	51	BXV		05.06 ->	Pre cat	250-24797
			BXV		05.06 ->	Post cat	250-24495
1.6	6L1	74	BAH		04.03 ->	Pre cat	250-24495
			BAH		04.03 ->	Post cat	250-24431
1.8 T FR	6L1	110	BJX		12.03 ->	Pre cat	250-25008
			BJX		12.03 ->	Post cat	250-24734
1.8 T Cupra R	6L1	132	BBU		05.04 ->	Pre cat	250-25008
			BBU		05.04 ->	Post cat	250-24734
2.0	6L1	85	BBX		04.03 ->	Pre cat	250-24431
<b>LEON</b>							
1.4 16V	1M1	55	APE,AXP,BCA		11.99 -> 10.05	Pre cat	250-25003
			APE,AXP,BCA		11.99 -> 10.05	Post cat	250-24431
			AHW		01.00 -> 05.02		250-24534
1.6	1M1	74	AKL,AEH		11.99 -> 10.05		250-24427





Model / Liter	Body Code	Engine kW	Engine Code	Application Identifier Engine or Chassis	Year From → To	Position	Walker Direct Fit
<b>SEAT (cont'd)</b>							
<b>LEON (cont'd)</b>							
1.8 20V	1M1	92	AGN		11.99 -> 12.03		250-24558
			APG		06.00 -> 10.05	Pre cat	250-25003
			APG		06.00 -> 10.05	Post cat	250-24431
1.8 20V T	1M1	132	APP		11.99 -> 10.05	Pre cat	250-24734
			APP		11.99 -> 10.05	Post cat	250-24431
			AUQ		09.00 -> 10.05	Pre cat	250-25003
			AUQ		09.00 -> 10.05	Post cat	250-24734
1.8 20V T 4	1M1	132	AJQ		03.00 -> 01.01		250-24734
	1M1	132	ARY		09.00 -> 04.04	Pre cat	250-25003
	1M1	132	ARY		09.00 -> 04.04	Post cat	250-24494
	1M1	132	AUQ		05.01 -> 05.03	Pre cat	250-25003
	1M1	132	AUQ		05.01 -> 05.03	Post cat	250-24734
1.8 T 20V	1P1	132	BWA (185)		11.05 ->	Pre cat	250-25015
			BWA (185)		11.05 ->	Post cat	250-24699
1.8 T Cupra R	1M1	154	AMK		05.02 -> 05.03	Pre cat	250-25002
			AMK		05.02 -> 05.03	Post cat	250-24494
1.8 T Cupra R	1M1	165	BAM		07.03 ->	Pre cat	250-25002
			BAM		07.03 ->	Post cat	250-24494
1.9 TDI	1P1	77	BLS		11.05 -> 05.06		250-25035
2.0 TDI	1P1	103	BMM		10.05 ->		250-25035
2.0 TDI 16V	1P1	103	BMM		10.05 ->		250-25015
2.0 TFSI	1P1	136,147	BWA		11.05 ->	Pre cat	250-25035
			BWA		11.05 ->	Post cat	250-24699
		177	BWJ		11.06 ->	Pre cat	250-25035
			BWJ		11.06 ->	Post cat	250-24699
<b>TOLEDO II</b>							
1.4 16V	1M2	55	AHW		01.00 -> 05.02		250-24534
			AXP		06.00 -> 02.02	Pre cat	250-25003
			AXP		06.00 -> 02.02	Post cat	250-24431
1.6	1M2	74	AKL,AEH		04.99 -> 09.00	Pre cat	250-24427
1.8 20V	1M2	92	AGN		05.99 -> 12.03		250-24558
			APG		06.00 -> 07.04	Pre cat	250-25003
			APG		09.00 -> 07.04	Post cat	250-24431
1.8 20VT	1M2	132	AUQ		05.01 -> 07.04	Pre cat	250-25003
			AUQ		05.01 -> 07.04	Post cat	250-24734
2.3 V5	1M2	110	AGZ		04.99 -> 11.00	Pre cat	250-24558
2.3 V5 20V	1M2	125	AQN		05.01 -> 11.03	Pre cat	250-25003
			AQN		05.01 -> 11.03	Post cat	250-24494
<b>TOLEDO III</b>							
1.8 TFSI	5P2	118	BZB		04.08 ->		250-24671
1.9 TDI	5P2	77	BLS		10.04 ->		250-25035
2.0 TDI	5P2	103	BMM		01.06 ->		250-25035
2.0 TDI 16V	5P2	103	BMM		01.06 ->		250-25035
<b>SKODA</b>							
<b>FABIA</b>							
1.0	6Y2	37	ARV		10.00 -> 08.02		250-24495
			AQV		10.00 -> 08.02	Pre cat	250-25002
			AQV		10.00 -> 08.02	Post cat	250-24431
1.2	6Y2	40	AWY		08.02 -> 05.04		250-24431
			BMD		05.04 -> 07.04		250-24569
	6Y2	47	AZQ		01.03 -> 12.04	Pre cat	250-25003
			AZQ		01.03 -> 12.04	Post cat	250-24495
			BME		12.04 -> 11.06	Pre cat	250-24797
			BME		12.04 -> 11.06	Post cat	250-24495
		51	BZG		01.07 ->	Pre cat	250-24797
			BZG		01.07 ->	Post cat	250-24495
1.4	6Y2	44	AZE		08.00 -> 08.02		250-24495
			AZF		08.00 -> 08.02	Pre cat	250-25002
			AZF		08.00 -> 08.02	Post cat	250-24431
	6Y2	50	AME		08.99 -> 05.03		250-24495
			AQW		08.00 -> 05.03	Pre cat	250-25002
			AQW		08.00 -> 05.03	Post cat	250-24431
			ATZ		08.99 -> 01.01	Pre cat	250-25002
			ATZ		08.99 -> 01.01	Post cat	250-24431
<b>FABIA Combi</b>							
1.2	6Y5	40	AWY		07.01 -> 05.04		250-24431
			BMD		07.01 -> 07.04		250-24569



Model / Liter	Body Code	kW	Engine Code	Application Identifier Engine or Chassis	Year From→ To	Position	Walker Direct Fit
<b>SKODA (cont'd)</b>							
<b>FABIA Combi (cont'd)</b>							
1.2	6Y5	47	AZQ		01.03 -> 07.04	Pre cat	250-25003
			AZQ		01.03 -> 07.04	Post cat	250-24495
			BME		12.04 -> 12.07	Pre cat	250-24797
			BME		12.04 -> 12.07	Post cat	250-24495
		51	BZG		10.07 ->	Pre cat	250-24797
			BZG		10.07 ->	Post cat	250-24495
1.4	6Y5	44	AZE		04.00 -> 03.03		250-24495
			AZF		04.00 -> 03.03	Pre cat	250-25002
			AZF		04.00 -> 03.03	Post cat	250-24431
	6Y5	50	AME		04.00 -> 05.03	Pre cat	250-24495
			AQW		08.00 -> 05.03	Pre cat	250-25002
			AQW		08.00 -> 05.03	Post cat	250-24431
			ATZ		04.00 -> 01.01	Pre cat	250-25002
			ATZ		04.00 -> 01.01	Post cat	250-24431
<b>FABIA Praktik</b>							
1.2		40	AWY		05.03 -> 05.04		250-24431
			BMD		05.04 -> 07.04		250-24569
		47	AZQ		01.03 -> 12.04	Pre cat	250-25003
			AZQ		01.03 -> 12.04	Post cat	250-24495
			BME		12.04 -> 12.07	Pre cat	250-24797
			BME		12.04 -> 12.07	Post cat	250-24495
1.4		50	AME		04.02 -> 05.03		250-24495
			AQW,ATZ		04.02 -> 05.03	Pre cat	250-25002
			AQW,ATZ		04.02 -> 05.03	Post cat	250-24431
<b>FABIA Saloon</b>							
1.2	6Y3	40	AWY		07.01 -> 05.04		250-24431
			BMD		07.01 -> 07.04		250-24569
	6Y3	47	AZQ		01.03 -> 12.04	Pre cat	250-25003
			AZQ		01.03 -> 12.04	Post cat	250-24495
			BME		12.04 -> 12.07	Pre cat	250-24797
			BME		12.04 -> 12.07	Post cat	250-24495
1.4	6Y3	44	AZE		04.00 -> 08.02		250-24495
			AZF		04.00 -> 08.02	Pre cat	250-25002
			AZF		04.00 -> 08.02	Post cat	250-24431
	6Y3	50	AME		07.01 -> 05.03		250-24495
			AQW,ATZ		07.01 -> 05.03	Pre cat	250-25002
			AQW,ATZ		07.01 -> 05.03	Post cat	250-24431
<b>OCTAVIA</b>							
1.4	1U2	44	AMD		04.99 -> 03.01	Pre cat	250-24495
			AMD		08.00 -> 03.01	Post cat	250-24431
	1Z3	55	BCA		05.04 ->	Pre cat	250-25002
			BCA		05.04 ->	Post cat	250-24699
1.4 16V	1U2	55	AXP		09.00 -> 01.02	Post cat	250-24431
			AXP		09.00 -> 09.04	Pre cat	250-25003
1.6	1U2	55	AEE		10.96 -> 08.97		250-24534
			AEE		08.97 -> 08.98		250-24558
			AEE		08.98 -> 07.00		250-24560
	1U2	74	AEH	To Ch. No. V 007 000	02.97 ->		250-24534
			AEH	Fr. Ch. No. 1U..V..007 001	02.97 ->		250-24533
			AEH	To Ch. No. 1U..W..134 200	02.97 ->		250-24533
			AEH	Fr. Ch. No. W 134 201	02.97 -> 09.04		250-24427
			AEH,AKL		02.97 -> 09.04		250-24427
	1U2	75	AVU,BFQ		11.00 -> 09.04	Pre cat	250-25004
			AVU,BFQ		11.00 -> 09.04	Post cat	250-24431
1.6 FSI	1Z3	85	BLF		02.04 ->	Pre cat	250-25034
			BLF		02.04 ->	Post cat	250-24699
1.8	1U2	92	AGN		10.96 -> 04.99		250-24558
1.8 T	1U2	110	AGU		01.99 ->		250-24558
			ARX		08.00 -> 09.04	Pre cat	250-25003
			ARX		08.00 -> 09.04	Post cat	250-24734
			ARZ		01.00 -> 07.00	Pre cat	250-24734
			ARZ		01.00 -> 07.00	Post cat	250-24431
			AUM		08.00 ->	Pre cat	250-25003
			AUM		08.00 ->	Post cat	250-24734
1.8 T 4x4	1U2	110	ARX		05.01 -> 05.06	Post cat	250-24494
			ARX		05.01 -> 09.04	Pre cat	250-25003
1.9 TDI	1Z3	77	BLS,F		05.06 ->	Post cat	250-25035



Model / Liter	Body Code	Engine kW	Engine Code	Application Identifier Engine or Chassis	Year From→To	Position	Walker Direct Fit
<b>SKODA (cont'd)</b>							
<b>OCTAVIA (cont'd)</b>							
2.0	1U2	85	AEG		10.02 -> 01.05		250-24427
			AEG,APK,AQY,		05.99 -> 09.04	Pre cat	250-24734
			APK,AQY,AZJ		05.99 -> 09.04	Post cat	250-24431
			AZJ		03.02 -> 09.04		250-25004
2.0 RS	1Z3	147	BWA		10.05 ->	Pre cat	250-25035
			BWA		10.05 ->	Post cat	250-24699
2.0 TDI	1Z3	103	BMM		11.05 ->		250-25035
RS 1.8 T	1U2	132	AUQ		05.01 -> 09.04	Pre cat	250-25003
			AUQ		05.01 -> 09.04	Post cat	250-24734
<b>OCTAVIA Combi</b>							
1.4 16V	1U5	55	AXP		08.00 -> 09.04	Pre cat	250-25003
			AXP		08.00 -> 01.02	Post cat	250-24431
			BCA		08.00 -> 09.04	Pre cat	250-25003
			BCA		05.04 ->	Pre cat	250-25002
			BCA		05.04 ->	Post cat	250-24699
1.6	1U5	55	AEE		07.98 -> 08.98		250-24558
			AEE		08.98 -> 09.04		250-24560
	1U5	74	AEH	To Ch. No. V 007 000	07.98 ->		250-24534
			AEH,AKL	Fr. Ch. No. 1U..V..007 001	07.98 ->		250-24533
			AEH,AKL	To Ch. No. 1U..W..134 200	07.98 ->		250-24533
			AEH,AKL	Fr. Ch. No. 1U..W..134 201	07.98 ->		250-24427
	1U5	75	AVU,BFQ		09.00 -> 09.04	Pre cat	250-25004
			AVU,BFQ		09.00 -> 09.04	Post cat	250-24431
1.6 FSI	1Z5	85	BLF		02.04 ->	Pre cat	250-25034
			BLF		02.04 ->	Post cat	250-24699
1.8 20V	1U5	92	AGN		07.98 -> 04.99		250-24558
1.8 T	1U5	110	AGU		08.98 -> 01.06	Pre cat	250-24558
			ARX,AUM		08.00 -> 09.04	Pre cat	250-25003
			ARX,AUM		08.00 -> 09.04	Post cat	250-24734
			ARZ		01.00 -> 09.04	Pre cat	250-24734
			ARZ		01.00 -> 09.04	Post cat	250-24431
1.8 T 4x4	1U5	110	ARX		05.01 -> 05.06	Pre cat	250-25003
			ARX		05.01 -> 05.06	Post cat	250-24494
1.9 TDI	1Z5	77	BLS,F		05.06 ->	Post cat	250-25035
1.9 TDI 4x4	1Z5	77	BK,C,BLS,BXE		05.06 ->	Post cat	250-25035
2.0	1U5	85	AEG		10.02 -> 01.05		250-24427
			AEG,APK,AQY		08.00 -> 09.04	Pre cat	250-24734
			APK,AQY,AZJ		08.00 -> 09.04	Post cat	250-24431
			AZH,AZJ		11.99 -> 09.04	Pre cat	250-25004
			AZH		11.99 -> 07.04	Post cat	250-24494
			ATF		01.00 -> 07.00	Pre cat	250-25004
			ATF		01.00 -> 07.00	Post cat	250-24494
2.0 4x4	1U5	85	AZH,AZJ		05.01 -> 09.04		250-25004
			AZH		05.01 -> 09.04	Post cat	250-24494
			AZJ		03.02 -> 09.04	Post cat	250-24432
2.0 RS	1Z5	147	BWA		10.05 ->	Pre cat	250-25035
			BWA		10.05 ->	Post cat	250-24699
2.0 TDI	1Z5	103	BMM		11.05 ->		250-25035
RS 1.8 T	1U5	132	AUQ		08.02 -> 09.04	Pre cat	250-25003
			AUQ		08.02 -> 09.04	Post cat	250-24734
<b>SUPERB</b>							
1.8 T	3U4	110	AWT		02.02 ->	Pre cat	250-25004
			AWT	M/T	02.02 ->	Post cat	250-24432
			AWT	A/T	01.04 ->	Post cat	250-24432
2.0	3U4	85	AZM		02.02 ->	Pre cat	250-24577
			AZM		02.02 ->	Post cat	250-24431
2.0 TDI	3U4	103	BSS		10.05 ->		250-25036
2.8 V6	3U4	142	AMX		02.02 ->	Pre cat Left	250-24395
			AMX		02.02 ->	Pre cat Right	250-24395
			AMX		02.02 ->	Post cat Left	250-24414
			AMX		02.02 ->	Post cat Right	250-24414
<b>SUBARU</b>							
<b>B9 TRIBECA</b>							
3.0			EZ30D		01.06 -> 12.07	Pre cat Left	250-54008
			EZ30D		01.06 -> 12.07	Pre cat Right	250-54008
			EZ30D		01.06 -> 12.07	Post cat Left	250-24487
			EZ30D		01.06 -> 12.07	Post cat Right	250-24487



Model / Liter	Body Code	kW	Engine Code	Application Identifier Engine or Chassis	Year From→ To	Position	Walker Direct Fit
<b>SUBARU (cont'd)</b>							
<b>FORESTER</b>							
2.5			EJ25D		01.98 -> 12.98	Pre cat	250-23091
			EJ25D		01.98 -> 12.98	Post cat	250-23083
			EJ253		01.99 -> 12.99	Pre cat	250-23091
			EJ253		01.99 -> 12.99	Post cat	250-24295
			EJ251		01.00 -> 12.02	Pre cat	250-25005
			EJ251		01.00 -> 12.02	Post cat	250-24295
			EJ251		01.03 -> 12.03	Pre cat	250-54011
			EJ251		01.03 -> 12.03	Post cat	250-24295
			EJ253		01.04 -> 12.08	Pre cat	250-54027
			EJ253		01.04 -> 12.08	Post cat	250-24440
2.5 Turbo			EJ253		01.04 -> 12.08	Pre cat	250-54025
			EJ253		01.04 -> 12.08	Post cat	250-24440
<b>IMPREZA</b>							
1.6	GD, GG	70	EJ16		12.00 -> 08.05	Pre cat	250-24295
			EJ16		12.00 -> 08.05	Post cat	250-24295
1.6 i	GC	66	EJ16		01.93 -> 07.96		250-23083
		70	EJ16		08.99 -> 07.00		250-23083
1.6 i 4WD	GC	66	EJ16		01.93 -> 07.96		250-23083
		70	EJ16		08.98 -> 07.00		250-23083
1.8 i 4WD	GC	76	EJ18E		01.93 -> 07.96		250-23083
2.0	GD, GG	92	EJ20		12.00 -> 08.05	Pre cat	250-24295
			EJ20		12.00 -> 08.05	Post cat	250-24295
2.0 i 4WD	GC	85	EJ20		10.95 -> 07.98		250-23083
		92	EJ201		08.98 -> 07.00		250-23083
2.0 Turbo GT 4WD	GC	155	EJ20GN		08.95 -> 04.96		250-23103
2.0 WRX Turbo	GD, GG	160,165	EJ20T		12.00 -> 08.05	Pre cat	250-54004
			EJ20T		12.00 -> 08.05	Post cat	250-24440
2.0 WRX STI	GD, GG	195	EJ20T		11.01 -> 08.05	Pre cat	250-54004
			EJ20T		11.01 -> 08.05	Post cat	250-24440
	GD, GG	235	EJ25T		09.05 ->	Pre cat	250-54025
			EJ25T		09.05 ->	Post cat	250-24440
2.5 WRX, STI	GD, GG	169,206	EJ25T		09.05 ->	Pre cat	250-54025
			EJ25T		09.05 ->	Post cat	250-24440
<b>IMPREZA Station Wagon</b>							
1.6	GD, GG	70	EJ16		12.00 -> 08.05	Pre cat	250-24295
			EJ16		12.00 -> 08.05	Post cat	250-24295
1.6 i	GF	70	EJ16		06.98 -> 08.00		250-23083
1.6 i 4WD	GF	66	EJ16		01.93 -> 07.96		250-23083
	GF	70	EJ16		08.98 -> 07.00	Pre cat	250-23083
			EJ16		09.00 -> 12.00	Pre cat	250-24295
			EJ16		09.00 -> 12.00	Post cat	250-24295
1.8 i 4WD	GF	76	EJ18		01.93 -> 07.96		250-23083
2.0	GD, GG	92	EJ20		12.00 -> 08.05	Pre cat	250-24295
			EJ20		12.00 -> 08.05	Post cat	250-24295
2.0 4WD	GF	85	EJ20		12.95 -> 07.98		250-23083
2.0 16V AWD	GF	92	EJ201		08.98 -> 07.00		250-23083
2.0 i Turbo 4WD	GF	155	EJ20GN		09.94 -> 04.96		250-23103
2.0 Turbo	GD, GG	160	EJ20T		12.00 -> 08.05	Pre cat	250-54004
			EJ20T		12.00 -> 08.05	Post cat	250-24440
2.0 Turbo GT 4WD	GF	160	EJ20T		09.00 -> 12.00	Pre cat	250-54004
			EJ20T		09.00 -> 12.00	Post cat	250-24440
2.0 WRX Turbo	GD, GG	165	EJ20T		12.02 -> 08.05	Pre cat	250-54004
			EJ20T		12.02 -> 08.05	Post cat	250-24440
2.5 WRX	GD, GG	169			09.05 ->	Pre cat	250-54025
			EJ25T		09.05 ->	Post cat	250-24440
<b>LEGACY</b>							
2.2					01.90 -> 12.95		250-23088
			EJ22E		01.99 -> 12.99	Pre cat	250-23091
			EJ22E		01.99 -> 12.99	Post cat	250-24373
2.5					01.96 -> 12.98	Pre cat	250-23091
					01.96 -> 12.98	Post cat	250-23088
			EJ253	A/T	01.00 -> 12.01	Pre cat	250-25005
			EJ253	A/T	01.00 -> 12.01	Post cat	250-24373
			EJ253	M/T	01.00 -> 12.01	Pre cat	250-54015
			EJ253	M/T	01.00 -> 12.01	Post cat	250-24290





Model / Liter	Body Code	Engine kW	Engine Code	Application Identifier Engine or Chassis	Year From→To	Position	Walker Direct Fit
<b>SUBARU (cont'd)</b>							
<b>LEGACY (cont'd)</b>							
2.5			EJ253		01.02 -> 12.02	Pre cat	250-25005
			EJ253		01.02 -> 12.02	Post cat	250-24373
			EJ253		01.03 -> 12.04	Pre cat	250-54011
			EJ253		01.03 -> 12.04	Post cat	250-24373
			EJ253		01.06 -> 12.08	Pre cat	250-54027
			EJ253		01.06 -> 12.08	Post cat	250-24440
			EJ255		01.06 -> 12.07	Pre cat	250-54025
			EJ255		01.06 -> 12.07	Post cat	250-24440
			EJ255		01.08 -> 12.08	Pre cat	250-54031
			EJ255		01.08 -> 12.08	Post cat	250-24440
			EJ259		01.04 -> 12.04	Pre cat	250-54027
			EJ259		01.04 -> 12.04	Post cat	250-24440
			EJ25D		01.99 -> 12.99	Pre cat	250-23091
			EJ25D		01.99 -> 12.99	Post cat	250-24373
2.5 Turbo			EJ253		01.05 -> 12.05	Pre cat	250-54027
			EJ253		01.05 -> 12.05	Post cat	250-24440
			EJ255		01.05 -> 12.05	Pre cat	250-54011
			EJ255		01.05 -> 12.05	Post cat	250-24440
3.0			EZ30D		01.08 -> 12.08	Pre cat Left	250-54008
			EZ30D		01.08 -> 12.08	Pre cat Right	250-54008
			EZ30D		01.08 -> 12.08	Post cat Left	250-24487
			EZ30D		01.08 -> 12.08	Post cat Right	250-24487
<b>LEGACY II Station Wagon</b>							
2.0 i	BD, BG	85	EJ20EN,EJ20ER		09.94 -> 06.97		250-23083
2.0 i 4WD	BD, BG	85	EJ20		09.94 -> 06.97		250-23083
2.2 i 4WD	BD, BG	94	EJ22EN,EJ22ER		09.94 -> 06.97		250-23083
		96	EJ22EN,EJ22ER		07.96 -> 06.97		250-23083
<b>OUTBACK</b>							
2.5			EJ251,EJ252	A/T	01.00 -> 12.00	Pre cat	250-25005
			EJ251,EJ252	A/T	01.00 -> 12.00	Post cat	250-24373
			EJ251,EJ252	M/T	01.00 -> 12.00	Pre cat	250-54015
			EJ251,EJ252	M/T	01.00 -> 12.00	Post cat	250-24290
			EJ253	A/T	01.01 -> 12.01	Pre cat	250-25005
			EJ253	A/T	01.01 -> 12.01	Post cat	250-24373
			EJ253	M/T	01.01 -> 12.01	Pre cat	250-54015
			EJ253	M/T	01.01 -> 12.01	Post cat	250-24290
			EJ253		01.02 -> 12.02	Pre cat	250-25005
			EJ253		01.02 -> 12.02	Post cat	250-24373
			EJ253		01.03 -> 12.04	Pre cat	250-54011
			EJ253		01.03 -> 12.04	Post cat	250-24373
			EJ253		01.05 -> 12.08	Pre cat	250-54027
			EJ253		01.05 -> 12.08	Post cat	250-24440
			EJ259		01.04 -> 12.04	Pre cat	250-54027
			EJ259		01.04 -> 12.04	Post cat	250-24440
2.5 Turbo			EJ255		01.05 -> 12.07	Pre cat	250-54025
			EJ255		01.05 -> 12.07	Post cat	250-24440
			EJ255		01.08 -> 12.08	Pre cat	250-54031
			EJ255		01.08 -> 12.08	Post cat	250-24440
3.0			EZ30D		01.01 -> 12.04	Pre cat Left	250-54002
			EZ30D		01.01 -> 12.04	Pre cat Right	250-54002
			EZ30D		01.01 -> 12.04	Post cat Left	250-24440
			EZ30D		01.05 -> 12.08	Pre cat Left	250-54008
			EZ30D		01.05 -> 12.08	Pre cat Right	250-54008
			EZ30D		01.05 -> 12.08	Post cat Left	250-24487
			EZ30D		01.05 -> 12.08	Post cat Right	250-24487
<b>SUZUKI</b>							
<b>ALTO III</b>							
1.0	EF	39	G10B	M/T; Fr. Ch. No. S00180001	09.94 -> 05.02		250-24060
<b>GRAND VITARA</b>							
1.6	FT, GT	69	G16B	To Ch. No. V00150000	03.98 -> 05.98	Pre cat	250-24338
			G16B	Fr. Ch. No. V00150001	03.98 ->	Pre cat	250-24049
			G16B	To Ch. No. V00200000	03.98 ->	Pre cat	250-24049
			G16B	Fr. Ch. No. V00150001	03.98 ->	Post cat	250-24336
			G16B	To Ch. No. V00200000	03.98 ->	Post cat	250-24336
			G16B	Fr. Ch. No. V00200001	03.98 -> 02.05	Pre cat	250-24049
			G16B	Fr. Ch. No. V00200001	03.98 -> 02.05	Post cat	250-24336
		78	M16A		03.06 ->	Post cat	250-24333



Model / Liter	Body Code	kW	Engine Code	Application Identifier Engine or Chassis	Year From→To	Position	Walker Direct Fit
<b>SUZUKI (cont'd)</b>							
<b>GRAND VITARA (cont'd)</b>							
2.0	FT, GT	94	J20A	To Ch. No. V00150000	05.98 ->	Pre cat	250-24338
			J20A	Fr. Ch. No. V00150001	03.98 ->	Pre cat	250-24049
			J20A	To Ch. No. V00200000	03.98 ->	Pre cat	250-24049
			J20A	Fr. Ch. No. V00150001	03.98 ->	Post cat	250-24336
			J20A	To Ch. No. V00200000	03.98 ->	Post cat	250-24336
			J20A	Fr. Ch. No. V00200001	03.98 -> 02.05	Pre cat	250-24049
			J20A	Fr. Ch. No. V00200001	03.98 -> 02.05	Post cat	250-24336
2.5 V6 24V	FT, GT	106	H25A	Fr. Ch. No. V00150001	04.98 -> 02.05	Pre cat	Left 250-24372
			H25A	Fr. Ch. No. V00150001	04.98 -> 02.05	Pre cat	Right 250-24372
			H25A	To Ch. No. V00150000	05.98 ->	Pre cat	Left 250-24049
			H25A	To Ch. No. V00150000	05.98 ->	Pre cat	Right 250-24049
			H25A	To Ch. No. V00150000	05.98 ->	Post cat	Left 250-24407
			H25A	To Ch. No. V00150000	05.98 ->	Post cat	Right 250-24407
			H25A	Fr. Ch. No. V00150001	04.98 -> 02.05	Post cat	Left 250-24333
			H25A	Fr. Ch. No. V00150001	04.98 -> 02.05	Post cat	Right 250-24333
2.5 V6 24V	FT, GT	116	H25A	Fr. Ch. No. V00150001	08.04 -> 02.05	Pre cat	Left 250-24372
			H25A	Fr. Ch. No. V00150001	08.04 -> 02.05	Pre cat	Right 250-24372
			H25A	Fr. Ch. No. V00150001	08.04 -> 02.05	Post cat	Left 250-24333
			H25A	Fr. Ch. No. V00150001	08.04 -> 02.05	Post cat	Right 250-24333
			H25A	To Ch. No. V00150000	08.04 ->	Pre cat	Left 250-24049
			H25A	To Ch. No. V00150000	08.04 ->	Pre cat	Right 250-24049
			H25A	To Ch. No. V00150000	08.04 ->	Post cat	Left 250-24407
			H25A	To Ch. No. V00150000	08.04 ->	Post cat	Right 250-24407
2.7 V6	FT, GT	127	H27A	To Ch. No. V00150000	09.01 ->	Pre cat	Left 250-24049
			H27A		09.01 ->	Pre cat	Right 250-24049
			H27A		09.01 ->	Post cat	Left 250-24336
			H27A		09.01 ->	Post cat	Right 250-24336
2.7 XL-7	FT, GT	135	H27A		04.03 ->	Pre cat	Left 250-24049
			H27A		04.03 ->	Pre cat	Right 250-24049
			H27A		04.03 ->	Post cat	Left 250-24336
			H27A		04.03 ->	Post cat	Right 250-24336
<b>JIMNY</b>							
1.3 16V, 4WD	FJ	59	G13BB	To Ch. No. V00100000	09.98 ->	Pre cat	250-24338
			G13BB	Fr. Ch. No. V00100001	09.98 ->	Pre cat	250-24049
			G13BB	To Ch. No. V00200000	09.98 ->	Pre cat	250-24049
			G13BB	Fr. Ch. No. V00100001	09.98 ->	Post cat	250-24336
			G13BB	To Ch. No. V00200000	09.98 ->	Post cat	250-24336
	FJ	60	M13A	To Ch. No. V00200000	04.02 ->	Pre cat	250-24049
			M13A	To Ch. No. V0200000	04.02 ->	Post cat	250-24336
	FJ	63	M13A		08.05 ->	Pre cat	250-24049
			M13A		08.05 ->	Post cat	250-24336
<b>LIANA</b>							
1.3	ER	66	M13A	Fr. Ch. No. S00250001	03.02 ->		250-24400
1.6, 4WD	ER	76	M16A	Fr. Ch. No. S00250001	03.02 ->		250-24400
			M16A	To Ch. No. S00350000	03.02 ->		250-24400
<b>LIANA Estate</b>							
1.3	ER	66	M13A	Fr. Ch. No. S00250001	07.01 ->		250-24400
1.6, 4WD	ER	76	M16A	Fr. Ch. No. S00250001	07.01 ->		250-24400
	ER	76	M16A	To Ch. No. S00350000	07.01 ->		250-24400
<b>SWIFT Cabriolet</b>							
1.3	SF413	50	G13B		04.92 -> 08.96		250-21001
<b>SWIFT II</b>							
1.3	AH, AJ	50	G13A		04.92 -> 08.96		250-21001
			G13A	Fr. Ch. No. S00250001	03.89 -> 08.96	Pre cat	250-24338
			G13A	To Ch. No. S00250000	01.95 -> 05.01	Pre cat	250-21001
			G13BAK	Fr. Ch. No. S00800001	03.89 -> 08.96	Post cat	250-24335
<b>SWIFT II Hatchback</b>							
1.0 i	EA, MA	39	G10A		09.91 -> 05.01	Pre cat	250-24338
			G10A		09.91 -> 09.95	Pre cat	250-21001
			G10A		09.96 -> 05.01	Post cat	250-24335
			G10A	Fr. Ch. No. S00250001	09.91 -> 08.96	Pre cat	250-24338
			G10A	To Ch. No. 00250000	03.96 -> 05.01	Pre cat	250-21001
1.3	EA, MA	50	G13A		04.92 -> 08.96	Pre cat	250-21001
			G13A	To Ch. No. S00250000	01.95 -> 05.01	Pre cat	250-21001
			G13A	To Ch. No. S00250001	03.89 -> 08.96	Pre cat	250-24338
			G13BAK	Fr. Ch. No. S00800001	03.89 -> 08.96	Post cat	250-24335
1.3 4WD	EA, MA	50	G13B		04.92 -> 08.96		250-21001
1.3 GTi	EA, MA	74	G13B		04.92 -> 08.96		250-21001



Model / Liter	Body Code	Engine kW	Engine Code	Application Identifier Engine or Chassis	Year From→To	Position	Walker Direct Fit
<b>SUZUKI (cont'd)</b>							
<b>SX4</b>							
2.0					01.07 -> 12.07	Pre cat	250-54034
					01.07 -> 12.07	Post cat	250-24333
					01.08 -> 12.08	Pre cat	250-54034
					01.08 -> 12.08	Post cat	250-24770
<b>XL-7</b>							
2.7				PREMIUM Model	01.05 -> 12.06	Pre cat	250-24049
				PREMIUM Model	01.05 -> 12.06	Pre cat	250-24049
				PREMIUM Model	01.05 -> 12.06	Post cat	250-24336
				PREMIUM Model	01.05 -> 12.06	Post cat	250-24336
3.6			N36A	PREMIUM Model	01.07 -> 12.08	Pre cat	250-24355
			N36A	PREMIUM Model	01.07 -> 12.08	Pre cat	250-24355
			N36A	PREMIUM Model	01.07 -> 12.08	Post cat	250-24773
			N36A	PREMIUM Model	01.07 -> 12.08	Post cat	250-24773
<b>TOYOTA</b>							
<b>AVALON</b>							
3.0			1MZFE		01.95 -> 12.99	Pre cat	250-24360
			1MZFE		01.95 -> 12.99	Pre cat	250-24360
			1MZFE		01.95 -> 12.99	Post cat	•250-24107
			1MZFE		01.00 -> 12.04	Pre cat	250-54003
			1MZFE		01.00 -> 12.04	Pre cat	250-54003
			1MZFE		01.00 -> 12.04	Post cat	•250-24107
3.5			2GRFE		01.05 -> 12.08	Pre cat	250-54007
			2GRFE		01.05 -> 12.08	Pre cat	250-54007
			2GRFE		01.05 -> 12.08	Post cat	250-24360
			2GRFE		01.05 -> 12.08	Post cat	250-24225
<b>CAMRY</b>							
2.2			5SFE		01.94 -> 12.95	Pre cat	250-21053
			5SFE		01.94 -> 12.95	Post cat	250-22008
			5SFE		01.96 -> 12.96	Pre cat	250-22058
			5SFE		01.96 -> 12.96	Post cat	250-22008
			5SFE		01.97 -> 12.01	Pre cat	250-24106
			5SFE		01.97 -> 12.01	Post cat	250-24244
			5SNFE		01.00 -> 12.01	Pre cat	250-54002
			5SNFE		01.00 -> 12.01	Post cat	250-24244
2.4			2AZFE		01.02 -> 12.02	Pre cat	250-54002
			2AZFE		01.02 -> 12.02	Post cat	250-24420
			2AZFE		01.03 -> 12.03	Pre cat	250-54002
			2AZFE		01.03 -> 12.03	Post cat	250-24244
			2AZFE		01.04 -> 12.06	Pre cat	250-54007
			2AZFE		01.04 -> 12.06	Post cat	250-24360
			2AZFE		01.07 -> 12.08	Pre cat	250-54007
			2AZFE		01.07 -> 12.08	Post cat	250-24360
			2AZFXE	HYBRID Model; Electric / Gas	01.07 -> 12.08	Pre cat	250-54007
			2AZFXE	HYBRID Model; Electric / Gas	01.07 -> 12.08	Post cat	250-24360
3.0			1MZFE		01.94 -> 12.96	Pre cat	250-24360
			1MZFE		01.94 -> 12.96	Post cat	250-24298
			1MZFE		01.97 -> 12.97	Pre cat	250-24360
			1MZFE		01.97 -> 12.97	Post cat	250-24244
			1MZFE		01.98 -> 12.00	Pre cat	250-24360
			1MZFE		01.98 -> 12.00	Pre cat	250-24360
			1MZFE		01.98 -> 12.00	Post cat	250-24244
			1MZFE		01.98 -> 12.00	Post cat	250-24244
			1MZFE		01.01 -> 12.01	Pre cat	250-24360
			1MZFE		01.01 -> 12.01	Pre cat	250-24360
			1MZFE		01.01 -> 12.01	Post cat	250-24244
			1MZFE		01.01 -> 12.01	Post cat	250-24244
			1MZFE		01.02 -> 12.03	Pre cat	250-54007
			1MZFE		01.02 -> 12.03	Pre cat	250-54008
			1MZFE		01.02 -> 12.03	Post cat	250-24360
			1MZFE		01.02 -> 12.03	Post cat	250-24225
			1MZFE		01.04 -> 12.04	Pre cat	250-54007
			1MZFE		01.04 -> 12.04	Pre cat	250-54007
			1MZFE		01.04 -> 12.04	Post cat	250-24360
			1MZFE		01.04 -> 12.04	Post cat	250-24360
			1MZFE		01.05 -> 12.06	Pre cat	250-54008
			1MZFE		01.05 -> 12.06	Pre cat	250-54007
			1MZFE		01.05 -> 12.06	Post cat	250-24360
			1MZFE		01.05 -> 12.06	Post cat	250-24225



Model / Liter	Body Code	kW	Engine Code	Application Identifier Engine or Chassis	Year From→ To	Position	Walker Direct Fit
<b>TOYOTA (cont'd)</b>							
<b>CAMRY (cont'd)</b>							
3.3			3MZFE		01.04 -> 12.04	Pre cat Front	250-54007
			3MZFE		01.04 -> 12.04	Pre cat Rear	250-54007
			3MZFE		01.04 -> 12.04	Post cat Front	250-24360
			3MZFE		01.04 -> 12.04	Post cat Rear	250-24360
			3MZFE		01.05 -> 12.05	Pre cat Front	250-54007
			3MZFE		01.05 -> 12.05	Pre cat Rear	250-54008
			3MZFE		01.05 -> 12.05	Post cat Front	250-24360
			3MZFE		01.05 -> 12.05	Post cat Rear	250-24225
3.5			2GRFE		01.07 -> 12.07	Pre cat Front	250-54007
			2GRFE		01.07 -> 12.07	Pre cat Rear	250-54007
			2GRFE		01.07 -> 12.07	Post cat Front	250-24360
			2GRFE		01.07 -> 12.07	Post cat Rear	250-24225
			2GRFE		01.07 -> 12.08	Pre cat Front	250-54007
			2GRFE		01.07 -> 12.08	Pre cat Rear	250-54007
			2GRFE		01.07 -> 12.08	Post cat Front	250-24360
			2GRFE		01.07 -> 12.08	Post cat Rear	250-24225
<b>COROLLA</b>							
1.6			4AFE		01.93 -> 12.95		250-22052
			4AFE		01.96 -> 12.97	Pre cat	250-22003
			4AFE		01.96 -> 12.97	Post cat	250-24107
1.8			7AFE		01.95 -> 12.97	Pre cat	250-22003
			7AFE		01.95 -> 12.97	Post cat	250-24107
			1ZZFE		01.98 -> 12.02	Pre cat	250-24154
			1ZZFE		01.98 -> 12.02	Post cat	250-24107
			1ZZFE		01.03 -> 12.04	Pre cat	250-24777
			1ZZFE		01.03 -> 12.04	Post cat	250-24486
			1ZZFE		01.05 -> 12.08	Pre cat	250-54006
			1ZZFE		01.05 -> 12.08	Post cat	250-24486
			2ZZGE	XRS Model	01.05 -> 12.06	Pre cat	250-24486
			2ZZGE	XRS Model	01.05 -> 12.06	Post cat	250-24486
<b>FJ CRUISER</b>							
4.0			1GRFE		01.07 -> 12.08	Pre cat Left	250-54006
			1GRFE		01.07 -> 12.08	Pre cat Right	250-54006
			1GRFE		01.07 -> 12.08	Post cat Left	250-24360
			1GRFE		01.07 -> 12.08	Post cat Right	250-24360
<b>HILUX Pick-up</b>							
2.4 i 4WD	_N_	84	22R		08.91 -> 08.97		250-24052
	_N_	103	22RE		08.97 -> 08.97		250-24052
<b>LAND CRUISER</b>							
3.0 D-4D	J12	122	1KDFTV		01.05 ->	Pre cat Left	250-54006
			1KDFTV		01.05 ->	Pre cat Right	250-54006
			1KDFTV		01.05 ->	Post cat Left	250-24360
			1KDFTV		01.05 ->	Post cat Right	250-24360
4.0	J12	183	1GRFE		01.03 -> 08.04	Pre cat Left	250-54008
			1GRFE		01.03 -> 08.04	Pre cat Right	250-54008
			1GRFE		01.03 -> 08.04	Post cat Left	250-24487
			1GRFE		01.03 -> 08.04	Post cat Right	250-24487
<b>LAND CRUISER 80</b>							
4.5 24V	_J8_	151	1FZFE		08.92 -> 01.95	Pre cat Left	250-24501
			1FZFE		08.92 -> 01.95	Pre cat Right	250-24501
			1FZFE		01.95 -> 12.97		250-24157
<b>LAND CRUISER 90</b>							
3.4 i 24V	_J9_	131	5VZFE		04.96 -> 09.02		250-24154
			5VZFE	A/T	08.01 -> 09.02		250-54051
			5VZFE	M/T	08.01 -> 09.02		250-54052
<b>LAND CRUISER 100</b>							
4.7	_J10_	173	2UZFE		01.98 -> 08.02	Pre cat Left	250-24169
			2UZFE		01.98 -> 08.02	Pre cat Right	250-24169
			2UZFE		01.98 ->	Post cat Left	250-24154
			2UZFE		01.98 ->	Post cat Right	250-24154
	_J10_	175	2UZFE		08.02 -> 05.05	Pre cat Left	250-24169
			2UZFE		08.02 -> 05.05	Pre cat Right	250-24169
			2UZFE		08.02 -> 05.05	Post cat Left	250-24154
			2UZFE		08.02 -> 05.05	Post cat Right	250-24154
			2UZFE		05.05 ->	Pre cat Left	250-54006
			2UZFE		05.05 ->	Pre cat Right	250-54006
			2UZFE		05.05 ->	Post cat Left	250-24360
			2UZFE		05.05 ->	Post cat Right	250-24360





Model / Liter	Body Code	Engine kW	Engine Code	Application Identifier Engine or Chassis	Year From→To	Position	Walker Direct Fit
<b>TOYOTA (cont'd)</b>							
<b>PREVIA</b>							
2.4	TCR1_, 2_	97	2TZFE		01.94 -> 01.00		250-24153
2.4 16V	ACR3_	115	2AZFE		04.03 ->		250-54007
2.4 4WD	TCR1_, 2_	97	2TZFE		01.94 -> 01.00		250-24153
<b>RAV 4 I</b>							
2.0 16V	SXA1_	95	3SFE		08.96 -> 06.00		250-24360
<b>RAV 4 I Cabrio</b>							
2.0 16V	SXA1_	94	3SFE		12.97 -> 05.00		250-24360
<b>RAV 4 II</b>							
2.0 VVTi 4WD	XA2	110	1AZFE		06.00 -> 07.03	Pre cat Left	250-54002
			1AZFE		06.00 -> 07.03	Pre cat Right	250-54003
			1AZFE		06.00 -> 07.03	Post cat Left	250-24137
			1AZFE		06.00 -> 07.03	Post cat Right	250-24137
			1AZFE		07.03 -> 11.05	Pre cat	250-54007
<b>RAV 4 III</b>							
2.0 VVT-i	ACA_, ACE_ 112		1AZFE		03.06 ->	Pre cat	250-54007
			1AZFE		03.06 ->	Post cat	250-24360
<b>SEQUOIA</b>							
4.7			2UZFE		01.01 -> 12.04	Pre cat Left	250-24169
			2UZFE		01.01 -> 12.04	Pre cat Right	250-24169
			2UZFE		01.01 -> 12.04	Post cat Left	250-24154
			2UZFE		01.01 -> 12.04	Post cat Right	250-24154
			2UZFE		01.05 -> 12.07	Pre cat Left	250-54006
			2UZFE		01.05 -> 12.07	Pre cat Right	250-54006
			2UZFE		01.05 -> 12.07	Post cat Left	250-24360
			2UZFE		01.05 -> 12.07	Post cat Right	250-24360
			2UZFE		01.08 -> 12.08	Pre cat Left	250-54006
			2UZFE		01.08 -> 12.08	Pre cat Right	250-54006
			2UZFE		01.08 -> 12.08	Post cat Left	250-24360
			2UZFE		01.08 -> 12.08	Post cat Right	250-24305
5.7			3URFE		01.08 -> 12.08	Pre cat Left	250-54006
			3URFE		01.08 -> 12.08	Pre cat Right	250-54006
			3URFE		01.08 -> 12.08	Post cat Left	250-24360
			3URFE		01.08 -> 12.08	Post cat Right	250-24305
<b>YARIS</b>							
1.0 16V	_CP10	50	1SZFE		04.99 -> 12.02	Pre cat	250-24137
			1SZFE		04.99 -> 12.02	Post cat	250-24360
			1SZFE		01.01 -> 02.03	Pre cat	250-24493
			1SZFE		01.01 -> 02.03	Post cat	250-24493
1.3	_CP10	64	2SZFE		05.02 ->		250-24360
1.3 16V	_CP10	63	2NZFE		11.99 -> 12.02	Pre cat	250-24360
			2NZFE		11.99 -> 12.02	Post cat	250-24298
1.5 VVT-i TS	_CP10	78	1NZFE		04.01 -> 12.02	Pre cat	250-24360
			1NZFE		04.01 -> 12.02	Post cat	250-24298
1.8 VVTi		98	2ZRFE		01.07 ->		250-54006
<b>YARIS VERSO</b>							
1.3	NC, LP2_	63	2NZFE		11.99 -> 11.02		250-24360
			2NZFE		11.02 ->	Pre cat	250-24489
			2NZFE		11.99 ->	Post cat	250-24298
1.5	NC, LP2_	78	1NZFE		03.00 -> 11.02		250-24360
			1NZFE		11.02 ->	Pre cat	250-24489
			1NZFE		03.00 ->	Post cat	250-24298
<b>VOLKSWAGEN</b>							
<b>EOS</b>							
1.6 FSI		85	BLF		06.06 ->	Pre Cat	250-25034
			BLF		06.06 ->	Post Cat	250-24699
2.0 TDI		103	BMM		06.06 ->		250-25035
2.0 TFSI		147	BWA		05.06 ->	Pre Cat	250-25035
			BWA		05.06 ->	Post Cat	250-24699
3.2 V6		184	BUB		06.06 ->	Pre Cat Left	250-25026
			BUB		06.06 ->	Pre Cat Right	250-25035
			BUB		06.06 ->	Post Cat Left	250-24671
			BUB		06.06 ->	Post Cat Right	250-24699
<b>GOLF III</b>							
1.4	1H1	40	ABD	Fr. Ch. No. 1H..S..120 001; w/o Cat.	01.95 -> 07.95		250-24147
			ABD	Fr. Ch. No. 1H..S..120 001; w/ Cat.	01.95 -> 07.95		250-24547
			AEX		07.95 -> 08.97		250-24417



Model / Liter	Body Code	kW	Engine Code	Application Identifier Engine or Chassis	Year From→To	Position	Walker Direct Fit
<b>VOLKSWAGEN (cont'd)</b>							
<b>GOLF III (cont'd)</b>							
1.4	1H1	44	ABD	To Ch. No. S-120 000	11.91 -> 08.97		250-24066
			ABD	Fr. Ch. No. S-120 001; w/o Cat.	10.91 -> 06.95		250-24147
			ABD	Fr. Ch. No. S-120 001	10.91 -> 06.95		250-24547
			ABD	To Ch. No. S-120 000; w/o Cat.	11.91 -> 08.97		250-24823
			AEX		08.95 -> 08.97		250-24417
1.6	1H1	74	AFT		12.95 -> 05.96		250-24194
			AEK,AFT,AKS		07.95 -> 08.97		250-24594
1.8	1H1	55	AAM	To Ch. No. S-120 000	11.91 -> 08.97		250-21037
			AAM	To Ch. No. S-120 000; w/o Cat.	11.91 -> 08.97		250-23023
			AEA,AEE		10.94 -> 08.97		250-24547
	1H1	55	AAM	Fr. Ch. No. S-120 001	11.91 -> 06.95		250-24719
			ABS		11.91 -> 08.97		250-21037
			ABS	To Ch. No. S-120 000; w/o Cat.	11.91 -> 08.97		250-23023
			ABS	Fr. Ch. No. S-120 001	11.91 -> 06.95		250-24719
			ADZ	w/o Cat.	10.94 -> 08.97		250-24719
1.8 Syncro (1HX1)	1H1	66	ADZ		10.94 -> 08.97		250-24719
2.0 GL	1H1	79	AEP		08.95 -> 09.97		250-24594
2.0	1H1	85	AKR		05.94 -> 08.97		250-24194
			ADY,AGG		10.94 -> 08.97		250-24194
			ADY,AGG	w/o Cat.	10.94 -> 08.97		250-24594
2.0 Syncro (1HX1)	1H1	85	AGG		08.95 -> 08.97		250-24194
2.0	1H1	85	2E	To Ch. No. S-120 000; w/o Cat.	11.91 -> 08.97		250-24823
2.0 GTI 16V	1H1	110	ABF	Fr. Ch. No. S-120 001	08.92 -> 08.97		250-24307
			ABF	To Ch. No. S-120 000; w/o Cat.	08.92 -> 08.97		250-24823
2.8 VR6	1H1	128	AAA		07.95 -> 08.97		250-24147
			AAA		07.94 -> 07.95		250-24194
			AAA	w/o Cat.	07.94 -> 08.97		250-24594
			AAA	To Ch. No. S-120 000; w/o Cat.	01.92 -> 08.97		250-24823
2.9 VR6 Syncro (1HX1)	1H1	140	ABV	Fr. Ch. No. S-120 001, To Ch. No. S-990 000	10.94 -> 07.95		250-24194
			ABV	Fr. Ch. No. T-000 001	07.95 -> 08.97		250-24417
<b>GOLF III Cabriolet</b>							
1.6	1E7	74	AEK		10.94 -> 12.95		250-24594
			AFT,AKS		02.96 -> 02.98		250-24594
1.8	1E7	55	AAM		09.93 -> 12.97		250-24719
		66	ABS	A/T	09.93 -> 07.95		250-23023
			ABS,ADZ		09.93 -> 02.98		250-24719
2.0	1E7	85	ADY,AGG,AKR		10.94 -> 02.98		250-24194
<b>GOLF III Variant</b>							
1.4	1H5	40, 44	ABD	Fr. Ch. No. 1H..S..120 001; w/o Cat.	10.94 -> 07.95		250-24147
			ABD	Fr. Ch. No. 1H..S..120 001; w/ Cat.	10.94 -> 07.95		250-24547
	1H5	44	AEX		07.95 -> 05.96		250-24417
			AEX		05.96 -> 11.97		250-24547
			APQ	w/o Cat.	12.97 -> 05.98		250-24147
			APQ	w/ Cat.	12.97 -> 05.98		250-24547
1.6	1H5	74	AEK		10.94 -> 12.95		250-24594
			AFT		01.96 -> 05.96		250-24194
			AFT,AKS		05.96 -> 02.99		250-24594
1.8	1H5	55	AAM		09.94 -> 02.99		250-24719
		66	ADZ,ANP		10.94 -> 02.99		250-24719
2.0	1H5	85	ADY,AGG	w/o Cat.	10.94 -> 02.99		250-24594
		85	ADY,AGG,AKR		10.94 -> 02.99		250-24194
2.0 Syncro	1H5	85	AGG		08.95 -> 04.99		250-24194
2.9 VR6 Syncro	1H5	140	ABV	To Ch. No. S-990 000	07.95 -> 07.95		250-24194
			ABV	Fr. Ch. No. T-000 001	07.95 -> 04.99		250-24417
<b>GOLF IV</b>							
1.4 16V	1J1	55	AHW,AKQ		10.97 -> 05.04		250-24534
			APE,AXP,BCA		05.99 -> 05.04	Pre Cat	250-25003
			APE,AXP,BCA		05.99 -> 05.04	Post Cat	250-24431
1.6	1J1	74	AEH,AKL	Fr. Ch. No. X-132 001	08.97 -> 02.00		250-24427
			AEH,AKL	To Ch. No. X-132 000	01.98 -> 02.00		250-24533
			AKL		10.97 -> 02.00		250-24427
			APF		05.99 -> 02.00	Pre Cat	250-25004
			APF		05.99 -> 02.00	Post Cat	250-24431
	1J1	75	AVU		09.00 -> 04.02	Pre Cat	250-25004
			AVU		09.00 -> 04.02	Post Cat	250-24431
			BFO		05.02 -> 05.04	Pre Cat	250-25004
			BFO		05.02 -> 05.04	Post Cat	250-24431
1.6 16V	1J1	77	ATN,AUS,AZD,BCB		02.00 -> 05.04	Post Cat	250-24431



Model / Liter	Body Code	Engine kW	Engine Code	Application Identifier Engine or Chassis	Year From→To	Position	Walker Direct Fit			
<b>VOLKSWAGEN (cont'd)</b>										
<b>GOLF IV</b>										
1.6 FSI	1J1	81	BAD		01.02 -> 05.04		250-25002			
1.8	1J1	92	AGN		10.97 -> 10.00		250-24558			
1.8 T	1J1	110	AGU		10.97 -> 05.04		250-24558			
			ARZ		05.99 -> 09.00	Pre Cat	250-24734			
1.8 T GTI	1J1	132	ARZ		05.99 -> 09.00	Post Cat	250-24431			
			AUM		09.00 -> 05.04	Pre Cat	250-25003			
			AUM		04.01 -> 05.04	Post Cat	250-24734			
			AUQ		05.02 -> 05.04	Pre Cat	250-25003			
			AUQ		05.02 -> 05.04	Post Cat	250-24734			
			AUQ		08.98 -> 05.04	Pre Cat	250-24734			
2.0	1J1	85	APK,AQY		08.98 -> 05.04	Pre Cat	250-24431			
			APK,AQY		08.98 -> 05.04	Post Cat	250-24431			
			APK,AZJ,AQY,AZG		07.98 -> 06.05		250-25004			
			AZG		05.01 -> 04.02	Pre Cat	250-25004			
			AZG		05.01 -> 04.02	Post Cat	250-24431			
			AZJ		05.01 -> 05.04	Pre Cat	250-25004			
			AZJ		05.01 -> 05.04	Post Cat	250-24431			
			BEH		05.02 -> 05.03	Pre Cat	250-25004			
			BEH		05.02 -> 05.03	Post Cat	250-24431			
			BEH		10.00 -> 06.01	Pre Cat	250-25004			
2.0 4motion	1J1	85	AZH		10.00 -> 06.01	Post Cat	250-24494			
			AZH		10.00 -> 06.01	Pre Cat	250-25004			
			AZJ		05.01 -> 06.05	Pre Cat	250-25004			
2.3 V5	1J1	110	AZJ		05.01 -> 06.05	Post Cat	250-24432			
			AGZ		10.97 -> 10.00		250-24558			
3.2 R32 4motion	1J1	125	AQN		10.00 -> 04.01	Pre Cat	250-25003			
			AQN		10.00 -> 04.01	Post Cat	250-24734			
			AQN		05.01 -> 05.04	Pre Cat	250-25003			
			AQN		05.01 -> 05.04	Post Cat	250-24494			
3.2 R32 4motion	1J1	177	BFH,BML		09.02 -> 05.04	Pre Cat Left	250-25008			
			BFH,BML		09.02 -> 05.04	Pre Cat Right	250-25003			
			BFH,BML		09.02 -> 05.04	Post Cat Left	250-24493			
			BFH,BML		09.02 -> 05.04	Post Cat Right	250-24495			
<b>GOLF IV Cabriolet</b>										
1.6	1E7	74	AFT,AKS		06.98 -> 10.00		250-24594			
1.8	1E7	55	AAM,ADZ,ANN,ANP		06.98 -> 10.00		250-24719			
2.0	1E7	85	AGG,AKR		06.98 -> 12.01	Pre Cat	250-24194			
			ATU		06.99 -> 06.00	Pre Cat	250-24427			
			ATU		06.99 -> 06.00	Post Cat	250-24493			
			AWF,AWG		06.00 -> 06.02	Pre Cat	250-24427			
			AWF,AWG		06.00 -> 06.02	Post Cat	250-24493			
<b>GOLF IV Variant</b>										
1.4 16V	1J5	55	AHW,AKO		05.99 -> 06.06		250-24534			
			APE		05.99 -> 05.00	Pre Cat	250-25003			
			APE		05.99 -> 05.00	Post Cat	250-24431			
			AXP		10.01 -> 06.06	Pre Cat	250-25003			
			AXP		10.01 -> 06.06	Post Cat	250-24431			
			BCA		05.00 -> 10.01	Pre Cat	250-25003			
			BCA		05.00 -> 10.01	Post Cat	250-24431			
			1.6	1J5	74	AEH,AKL	To Ch. No. X-132 000	05.99 -> 02.00		250-24533
						AEH,AKL	Fr. Ch. No. X-132 001	05.99 -> 02.00		250-24427
				1J5	75	APF		05.99 -> 02.00	Pre Cat	250-25004
APF		05.99 -> 02.00				Post Cat	250-24431			
AVU		09.00 -> 04.02				Pre Cat	250-25004			
AVU		09.00 -> 04.02				Post Cat	250-24431			
1.6 FSI	1J5	81	BFQ		05.02 -> 06.06	Pre Cat	250-25004			
			BFQ		05.02 -> 06.06	Post Cat	250-24431			
1.8 T	1J5	110	BAD		01.02 -> 06.06		250-25002			
			AGU		05.00 -> 05.06		250-24558			
			ARZ		05.00 -> 09.00	Pre Cat	250-24734			
			ARZ		05.00 -> 09.00	Post Cat	250-24431			
			AUM		09.00 -> 05.06	Pre Cat	250-25003			
			AUM		09.00 -> 05.06	Post Cat	250-24734			
			2.0	1J5	85	APK,AQY		05.99 -> 06.06	Pre Cat	250-24734
						APK,AQY		05.99 -> 06.06	Post Cat	250-24431
			2.0 4motion	1J5	85	AZH		10.00 -> 06.01	Pre Cat	250-25004
						AZH		10.00 -> 06.01	Post Cat	250-24494
2.0	1J5	85	AZJ		05.01 -> 06.06	Pre Cat	250-25004			
			AZJ		05.01 -> 06.06	Post Cat	250-24431			
2.0 4motion	1J5	85	AZJ		05.01 -> 06.05	Pre Cat	250-25004			
			AZJ		05.01 -> 06.05	Post Cat	250-24432			



Model / Liter	Body Code	kW	Engine Code	Application Identifier Engine or Chassis	Year From→ To	Position	Walker Direct Fit
<b>VOLKSWAGEN (cont'd)</b>							
<b>GOLF IV Variant (cont'd)</b>							
2.0 Bi-Fuel	1J5	85	BEH		05.02 -> 06.06	Pre Cat	250-25004
			BEH		05.02 -> 06.06	Post Cat	250-24431
2.3 V5	1J5	110	AGZ		05.99 -> 02.01		250-24558
	1J5	125	AQN		10.00 -> 04.01	Pre Cat	250-25003
			AQN		10.00 -> 04.01	Post Cat	250-24734
			AQN		05.01 -> 05.06	Pre Cat	250-25003
			AQN		05.01 -> 05.06	Post Cat	250-24494
<b>GOLF V</b>							
1.4 16V	1K1	55	BCA		10.03 -> 05.06	Pre Cat	250-25002
			BCA		10.03 -> 05.06	Post Cat	250-24699
1.4 FSI	1K1	66	BKG		10.03 -> 05.04		250-25002
			BKG		05.04 -> 12.04		250-25034
1.6 FSI	1K1	85	BAG		10.03 -> 05.04		250-25002
			BAG		05.04 -> 07.04		250-25034
			BLF		01.05 ->	Pre Cat	250-25034
			BLF		01.05 ->	Post Cat	250-24699
			BLP		05.04 -> 02.05		250-25034
1.9 TDI	1K1	77	BLS		05.05 ->	Post Cat	250-25035
2.0 TDI	1K1	103	BMM		12.04 ->		250-25035
2.0 GTD	1K1	125	BVB		05.06 ->		250-25035
2.0 GTI	1K1	147	AXX,BWA		10.04 ->	Pre Cat	250-25035
			AXX,BWA		10.04 ->	Post Cat	250-24699
	1K1	169	BYD		09.06 ->	Pre Cat	250-25035
			BYD		09.06 ->	Post Cat	250-24699
3.2 R32 4motion	1K1	184	BUB		11.05 ->	Pre Cat Left	250-25026
			BUB		11.05 ->	Pre Cat Right	250-25035
			BUB		11.05 ->	Post Cat Center Lt.	250-24671
			BUB		11.05 ->	Post Cat Center Rt.	250-24699
			BUB		11.05 ->	Post Cat Rear	250-24431
<b>GOLF V PLUS</b>							
1.4 16V	5M1	55	BCA		01.05 -> 05.06	Pre Cat	250-25002
			BCA		01.05 -> 05.06	Post Cat	250-24699
1.4 FSI	5M1	66	BLN		07.05 -> 05.06		250-25034
1.6 FSI	5M1	85	BLF	M/T	01.05 ->	Pre Cat	250-25034
	5M1	85	BLF	M/T	01.05 ->	Post Cat	250-24699
	5M1	85	BLF	A/T	04.05 ->	Pre Cat	250-25034
	5M1	85	BLF	A/T	04.05 ->	Post Cat	250-24699
2.0 TDI	5M1	103	BMM		12.05 ->		250-25035
<b>GOLF V Variant</b>							
1.9 TDI		77	BLS		06.07 ->	Post Cat	250-25035
1.9 TDI 4motion		77	BLS		01.08 ->	Post Cat	250-25035
2.0		147	BWA		06.07 ->		250-25035
2.0 TDI		103	BMM		06.07 ->		250-25035
<b>JETTA III</b>							
1.6 FSI	1K2	85	BLF		09.05 ->		250-25034
1.9 TDI	1K2	77	BLS		09.05 ->		250-25035
2.0 TFSI	1K2	147	BWA,BPY,CCTA		10.05 ->	Pre Cat	250-25035
			BWA,BPY,CCTA		10.05 ->	Post Cat	250-24699
<b>NEW BEETLE</b>							
1.6	9C1, 1C1	74	AWH		11.99 -> 09.00	Pre Cat	250-25004
			AWH		11.99 -> 09.00	Post Cat	250-24431
	9C1, 1C1	75	AYD		09.00 -> 06.05	Pre Cat	250-25004
			AYD		09.00 -> 06.05	Post Cat	250-24431
			BFS		06.02 ->	Pre Cat	250-25004
			BFS		06.02 ->	Post Cat	250-24431
1.8 T	9C1, 1C1	110	APH		10.99 -> 06.00	Pre Cat	250-25003
			APH		10.99 -> 06.00	Post Cat	250-24431
			AVC		10.99 -> 10.00	Pre Cat	250-25003
			AVC		10.99 -> 10.00	Post Cat	250-24431
			AWU		10.00 -> 06.05	Pre Cat	250-25003
			AWU		10.00 -> 06.05	Post Cat	250-24494
			AWU		07.05 ->	Pre Cat	250-25003
			AWU		07.05 ->	Post Cat	250-24734
			AWV		06.00 -> 06.04	Pre Cat	250-25003
			AWV		06.00 -> 06.04	Post Cat	250-24494
			BKF		07.04 -> 06.05	Pre Cat	250-25033
			BKF		07.04 -> 06.05	Post Cat Center	250-24495
			BKF		07.04 -> 06.05	Post Cat Rear	250-24431





Model / Liter	Body Code	kW	Engine Code	Application Identifier Engine or Chassis	Year From→To	Position	Walker Direct Fit
<b>VOLKSWAGEN (cont'd)</b>							
<b>NEW BEETLE (cont'd)</b>							
1.8 T	9C1, 1C1	132	AWP		11.01 -> 06.05	Pre Cat	250-25003
			AWP		11.01 -> 06.05	Post Cat	250-24494
1.9 TDI	9C1, 1C1	74	ATD		06.01 -> 06.05		250-25036
2.0	9C1, 1C1	85	APK,AVH,AQY,AEG,BEV,AZG		01.98 ->	Pre Cat	250-24734
			APK,AVH,AQY,AEG,BEV,AZG		01.98 ->	Post Cat	250-24431
			AZJ,BEJ		06.01 ->	Pre Cat	250-25004
			BER,BHP		01.03 ->	Pre Cat	250-24427
2.3 V5	9C1, 1C1	125	AQN		10.00 -> 06.05	Pre Cat	250-25003
			AQN		10.00 -> 06.05	Post Cat	250-24494
RSI 3.2 (1C9)	9C1, 1C1	165	AXJ		10.00 -> 05.01	Pre Cat Left	250-25008
			AXJ		10.00 -> 05.01	Pre Cat Right	250-25008
			AXJ		10.00 -> 05.01	Post Cat Left	250-24493
			AXJ		10.00 -> 05.01	Post Cat Right	250-24495
<b>NEW BEETLE Cabriolet</b>							
1.6	1Y7	75	BFS		01.03 ->	Pre Cat	250-25004
			BFS		01.03 ->	Post Cat	250-24431
1.6 FSI	3C2	85	BLF		03.05 ->		250-25034
1.8 T	1Y7	110	AWU		01.04 -> 06.05	Pre Cat	250-25003
			AWU		01.04 -> 06.05	Post Cat	250-24494
			AWU		07.05 ->	Pre Cat	250-25003
			AWU		07.05 ->	Post Cat	250-24734
2.0	1Y7	85	AZJ,BEV		01.03 ->	Pre Cat	250-25004
			AZJ,BEV		01.03 ->	Post Cat	250-24431
2.5	1Y7	110	BPS		07.05 ->	Pre Cat	250-25033
			BPS		07.05 ->	Post Cat	250-24431
			BPR		07.05 ->	Pre Cat	250-25033
			BPR		07.05 ->	Post Cat Center	250-24495
			BPR		07.05 ->	Post Cat Rear	250-24431
<b>PASSAT</b>							
1.6	3A2, 35l	74	AEK,AFT		10.94 -> 08.96		250-24594
	3B2	74	AHL		10.96 -> 08.98		250-24555
			ADP		01.97 -> 10.97		250-24555
			ANA		07.99 -> 08.00	Pre Cat	250-24577
			ANA		07.99 -> 08.00	Post Cat	250-24431
			ARM		01.99 -> 08.00		250-24555
	3B3	75	ALZ		11.00 -> 05.05	Pre Cat	250-24577
			ALZ		11.00 -> 05.05	Post Cat	250-24431
1.8	3A2, 35l	55	AAM	Fr. Ch. No. S-075 001	08.90 -> 08.96		250-24719
			AAM	To Ch. No. S-075 000	10.93 -> 08.96		250-21037
	3B2	92	ADR	To Ch. No. X-360 000	12.96 -> 12.98		250-24555
			ADR	Fr. Ch. No. X-360 001	12.98 -> 01.99		250-24427
	3A2, 35l	66	ADZ		10.94 -> 08.96		250-24719
	3B2	85	AFY	To Ch. No. X-360 000	01.97 -> 12.98		250-24555
			AFY	Fr. Ch. No. X-360 001	12.98 -> 04.00		250-24843
	3B2	92	APT,ARG		01.99 -> 08.00		250-24427
1.8 Syncro/4motion	3B2	92	ADR,APT,ARG		06.97 -> 08.00		250-24427
1.8 T	3B2	110	AEB		10.96 -> 12.98		250-24146
			AEB	Fr. Ch. No. X-360 001	12.98 -> 12.98		250-24427
			AGZ		09.97 -> 04.99		250-24417
			ANB		01.99 -> 08.00	Pre Cat	250-24427
	3B2	110	ANB		01.99 -> 08.00	Post Cat	250-24432
1.8 T	3B3	125	AWM		02.01 -> 05.05	Pre Cat	250-25004
			AWM		02.01 -> 05.05	Post Cat	250-24432
1.8 T 20V	3B3	110	ATQ		11.00 -> 05.05	Pre Cat Left	250-24395
			ATQ		11.00 -> 05.05	Pre Cat Right	250-24395
			ATQ		11.00 -> 05.05	Post Cat Left	250-24414
			ATQ		11.00 -> 05.05	Post Cat Right	250-24414
			AWT		11.00 -> 05.05	Pre Cat	250-25004
			AWT		11.00 -> 05.05	Post Cat	250-24432
1.9 TDI	3B3	96	AMX		05.02 -> 05.05	Pre Cat Left	250-24395
			AMX		05.02 -> 05.05	Pre Cat Right	250-24395
			AMX		05.02 -> 05.05	Post Cat Left	250-24414
			AMX		05.02 -> 05.05	Post Cat Right	250-24414
2.0	3A2, 35l	79	ADY,AEP		03.95 -> 07.95		250-24194
			ADY,AEP	w/o Cat.	03.95 -> 07.95		250-24594
	3A2, 35l	85	ADY	w/o Cat.	10.94 -> 08.96		250-24594
			ADY		10.94 -> 07.95		250-24194
	3B3	85	AZM		11.00 -> 05.05	Pre Cat	250-24577
			AZM		11.00 -> 05.05	Post Cat	250-24431



Model / Liter	Body Code	kW	Engine Code	Application Identifier Engine or Chassis	Year From→To	Position	Walker Direct Fit
<b>VOLKSWAGEN (cont'd)</b>							
<b>PASSAT (cont'd)</b>							
2.0	3B2	88	ASU		04.00 -> 11.00	Pre Cat	250-24577
			ASU		04.00 -> 11.00	Post Cat	250-24431
2.0 16V	3A2, 35I	110	ABF	Fr. Ch. No. S-075 001	01.94 -> 08.96		250-24307
2.0 TDI	3C2	90	BVD		08.05 -> 05.06		250-25035
	3B3	100	BGW		12.03 -> 05.05		250-25036
	3C2	103	BMP		03.05 ->		250-25035
2.0 TFSI	3C2	147	AXX		07.05 -> 11.05	Pre Cat	250-25035
			AXX		07.05 -> 11.05	Post Cat	250-24672
			BWA		11.05 -> 12.07	Pre Cat	250-25035
			BWA		11.05 -> 12.07	Post Cat	250-24672
2.3 VR5	3B2	110	AGZ		09.97 -> 08.00		250-24146
2.3 VR5 Syncro/4motion	3B2	110	AGZ		10.97 -> 08.00		250-24417
2.5 TDI	3B3	110	AMX,ATQ		05.02 -> 05.05	Pre Cat Left	250-24395
			AMX,ATQ		05.02 -> 05.05	Pre Cat Right	250-24395
			AMX,ATQ		05.02 -> 05.05	Post Cat Left	250-24414
			AMX,ATQ		05.02 -> 05.05	Post Cat Right	250-24414
2.5 TDI 4motion	3B3	110	BBG		11.00 -> 05.05	Pre Cat Left	250-24395
			BBG		11.00 -> 05.05	Pre Cat Right	250-24395
2.8 VR6	3A2, 35I	128	AAA	To Ch. No. S-086 000	06.91 -> 08.96		250-24066
			AAA	Fr. Ch. No. S-086 001, To Ch. No. T-000 209	06.91 -> 08.96		250-24194
			AAA	Fr. Ch. No. T-000 210	06.91 -> 08.96		250-24147
			AAA	w/o Cat.	06.91 -> 08.96		250-24823
2.8 V6	3B2	132	AGE		05.97 -> 09.99	Pre Cat Left	250-24719
			AGE		05.97 -> 09.99	Pre Cat Right	250-24719
2.8 V6 Syncro/4motion	3B2	142	ACK,ALG		05.97 -> 12.98	Pre Cat Left	250-24719
			ACK,ALG		05.97 -> 12.98	Pre Cat Right	250-24719
2.8 V6	3B2	142	ACK,AQD		06.97 -> 08.00	Pre Cat Left	250-24719
			ACK,AQD		06.97 -> 08.00	Pre Cat Right	250-24719
2.8 4motion	3B3	142	AMX		11.00 -> 05.05	Pre Cat Left	250-24395
			AMX		11.00 -> 05.05	Pre Cat Right	250-24395
			AMX		11.00 -> 05.05	Post Cat Left	250-24414
			AMX		11.00 -> 05.05	Post Cat Right	250-24414
2.8 V6	3B2	142	APR		01.99 -> 08.00	Pre Cat Left	250-24395
			APR		01.99 -> 08.00	Pre Cat Right	250-24395
2.8 V6 Syncro/4motion	3B2	142	APR,AQD		01.99 -> 08.00	Pre Cat Left	250-24395
			APR,AQD		01.99 -> 08.00	Pre Cat Right	250-24395
2.8 4motion	3B3	142	ATQ		03.01 -> 05.05	Pre Cat Left	250-24395
			ATQ		03.01 -> 05.05	Pre Cat Right	250-24395
			ATQ		03.01 -> 05.05	Post Cat Left	250-24414
			ATQ		03.01 -> 05.05	Post Cat Right	250-24414
3.2 FSI 4motion	3C2	184	AXZ		11.05 ->	Pre Cat Left	250-25040
			AXZ		11.05 ->	Pre Cat Right	250-25033
			AXZ		11.05 ->	Post Cat Left	250-24671
			AXZ		11.05 ->	Post Cat Right	250-24672
3.6 FSi	3C2	206	BLV		09.05 -> 07.07	Pre Cat Left	250-25040
			BLV		09.05 -> 07.07	Pre Cat Right	250-25033
			BLV		09.05 -> 07.07	Post Cat Left	250-24671
			BLV		09.05 -> 07.07	Post Cat Right	250-24672
3.6 FSi 4motion	3C2	206	BLV		09.05 ->	Pre Cat Left	250-25040
			BLV		09.05 ->	Pre Cat Right	250-25033
			BLV		09.05 ->	Post Cat Left	250-24671
			BLV		09.05 ->	Post Cat Right	250-24672
3.6 R36 4motion	3C2	220	BWS		09.07 ->	Pre Cat Left	250-25040
			BWS		09.07 ->	Pre Cat Right	250-25033
			BWS		09.07 ->	Post Cat Left	250-24671
			BWS		09.07 ->	Post Cat Right	250-24672
4.0 W8 4motion	3B3	202	BDN,BDP		09.01 -> 05.05	Pre Cat Left	250-25007
			BDN,BDP		09.01 -> 05.05	Pre Cat Right	250-25003
			BDN,BDP		09.01 -> 05.05	Post Cat Left	250-24432
			BDN,BDP		09.01 -> 05.05	Post Cat Right	250-24494
<b>PASSAT Variant</b>							
1.6	3A5, 35I	74	AEK,AFT		10.94 -> 12.95		250-24594
	3B5	74	ADP,AHL,ARM		06.97 -> 08.00		250-24555
			ANA		07.99 -> 08.00	Pre Cat	250-24577
			ANA		07.99 -> 08.00	Post Cat	250-24431
	3B6	75	AZM		11.00 -> 05.05	Pre Cat	250-24577
			AZM		11.00 -> 05.05	Post Cat	250-24431
1.6 FSi	3C5	85	BLF		08.05 -> 05.07		250-25034



Model / Liter	Body Code	Engine kW	Engine Code	Application Identifier Engine or Chassis	Year From→To	Position	Walker Direct Fit
<b>VOLKSWAGEN (cont'd)</b>							
<b>PASSAT Variant (cont'd)</b>							
1.8	3A5, 35l	55	AAM	To Ch. No. S-075 000	10.93 -> 05.97		250-21037
			AAM	Fr. Ch. No. S-075 001	08.90 -> 12.96		250-24719
	3A5, 35l	66	ADZ		10.94 -> 12.96		250-24719
	3B5	85	AFY	To Ch. No. X-360 000	06.97 -> 12.98		250-24555
			AFY	Fr. Ch. No. X-360 001	12.98 -> 04.00		250-24843
	3B5	92	ADR	To Ch. No. X-360 000	06.97 -> 12.98		250-24555
	3B5	92	APT,AGR		01.99 -> 08.00		250-24427
1.8 Syncro/4motion	3B5	92	ADR,APT,ARG M/T		08.97 -> 08.00		250-24427
1.8 T	3B5	110	AEB		06.97 -> 12.98		250-24146
			AEB,APU	Fr. Ch. No. X-360 001	12.98 -> 11.00		250-24427
			ANB		12.98 -> 11.00	Pre Cat	250-24427
			ANB		01.99 -> 08.00	Post Cat	250-24432
1.8 T 20V	3B6	110	ATQ		11.00 -> 05.05	Pre Cat Left	250-24395
			ATQ		11.00 -> 05.05	Pre Cat Right	250-24395
			ATQ		11.00 -> 05.05	Post Cat Left	250-24414
			ATQ		11.00 -> 05.05	Post Cat Right	250-24414
			AWM		05.02 -> 05.05	Pre Cat	250-25004
			AWM		05.02 -> 05.05	Post Cat	250-24432
			AWT		11.00 -> 05.05	Pre Cat	250-25004
			AWT		11.00 -> 05.05	Post Cat	250-24432
1.9 TDI	3B6	96	ATQ		11.00 -> 04.02	Pre Cat Left	250-24395
			ATQ		11.00 -> 04.02	Pre Cat Right	250-24395
			ATQ		11.00 -> 04.02	Post Cat Left	250-24414
			ATQ		11.00 -> 04.02	Post Cat Right	250-24414
1.9 TDI 4motion	3B6	96	AMX		11.00 -> 05.05	Pre Cat Left	250-24395
			AMX		11.00 -> 05.05	Pre Cat Right	250-24395
			AMX		11.00 -> 05.05	Post Cat Left	250-24414
			AMX		11.00 -> 05.05	Post Cat Right	250-24414
2.0	3A5, 35l	79	ADY		03.95 -> 08.96		250-24194
			AEP,AGG		03.95 -> 07.95		250-24194
			AEP,AGG	w/o Cat.	03.95 -> 08.96		250-24594
	3A5, 35l	85	ADY		10.94 -> 07.95		250-24194
			ADY	w/o Cat.	10.94 -> 07.95		250-24594
2.0 Syncro	3A5, 35l	85	ADY		10.94 -> 05.97		250-24194
2.0	3B6	85	AZM		11.00 -> 05.05	Pre Cat	250-24577
			AZM		11.00 -> 05.05	Post Cat	250-24431
	3B5	88	ASU		04.00 -> 11.00	Pre Cat	250-24577
			ASU		04.00 -> 11.00	Post Cat	250-24431
2.0 TDI	3C5	90	BVD		08.05 ->		250-25035
2.0	3B6	96	ALT		11.01 -> 05.05	Pre Cat	250-25004
			ALT		11.01 -> 05.05	Post Cat	250-24432
2.0 TDI	3B6	100	BGW		12.03 -> 05.05		250-25036
	3C5	103	BMP		08.05 ->		250-25035
2.0 16V	3A5, 35l	110	ABF	To Ch. No. S-075 000	01.94 -> 05.97		250-24066
			ABF	Fr. Ch. No. S-075 001	01.94 -> 12.96		250-24307
2.0 TFSI	3C5	147	AXX		08.05 -> 11.05	Pre Cat	250-25035
			AXX		08.05 -> 11.05	Post Cat	250-24672
			BWA		11.05 -> 12.07	Pre Cat	250-25035
			BWA		11.05 -> 12.07	Post Cat	250-24672
2.3 VR5	3B5	110	AGZ		09.97 -> 08.00		250-24146
2.3 VR5 Syncro/4motion	3B5	110	AGZ		10.97 -> 08.00		250-24417
2.3 VR5	3B6	125	AMX		05.02 -> 05.05	Pre Cat Left	250-24395
			AMX		05.02 -> 05.05	Pre Cat Right	250-24395
			AMX		05.02 -> 05.05	Post Cat Left	250-24414
			AMX		05.02 -> 05.05	Post Cat Right	250-24414
			AZX		01.01 -> 04.02	Post Cat	250-24493
2.5 TDI	3B6	110	ATQ		11.00 -> 05.05	Pre Cat Left	250-24395
			ATQ		11.00 -> 05.05	Pre Cat Right	250-24395
			ATQ		11.00 -> 05.05	Post Cat Left	250-24414
			ATQ		11.00 -> 05.05	Post Cat Right	250-24414
2.8 VR6	3A5, 35l	128	AAA	Fr. Ch. No. T-000 210	06.91 -> 12.96		250-24147
			AAA	w/o Cat.	06.91 -> 12.96		250-24823
			AAA	Fr. Ch. No. S-086 001, To Ch. No. T-000 209	06.91 -> 05.97		250-24194
			AAA	To Ch. No. S-086 000	10.93 -> 05.97		250-24066
2.8 V6	3B5	132	AGE		09.97 -> 09.99	Pre Cat Left	250-24719
			AGE		09.97 -> 09.99	Pre Cat Right	250-24719



Model / Liter	Body Code	Engine kW	Engine Code	Application Identifier Engine or Chassis	Year From→ To	Position	Walker Direct Fit
<b>VOLKSWAGEN (cont'd)</b>							
<b>PASSAT Variant (cont'd)</b>							
2.8 V6	3B5	142	ACK,AQD ACK,AQD APR APR		06.97 -> 11.00 06.97 -> 11.00 01.99 -> 08.00 01.99 -> 08.00	Pre Cat Left Pre Cat Right Pre Cat Left Pre Cat Right	250-24719 250-24719 250-24395 250-24395
2.8 4motion	3B6	142	ATQ,AMX ATQ,AMX ATQ,AMX ATQ,AMX		11.00 -> 05.05 11.00 -> 05.05 11.00 -> 05.05 11.00 -> 05.05	Pre Cat Left Pre Cat Right Post Cat Left Post Cat Right	250-24395 250-24395 250-24414 250-24414
2.9 VR6 Syncro	3A5, 35I	135	ABV ABV	Fr. Ch. No. S-103 001, To Ch. No. S-300 000 Fr. Ch. No. T-000 001	10.94 -> 07.95 07.95 -> 05.97		250-24194 250-24417
3.2 FSI 4motion	3C5	184	AXZ AXZ AXZ AXZ		11.05 -> 11.05 -> 11.05 -> 11.05 ->	Pre Cat Left Pre Cat Right Post Cat Left Post Cat Right	250-25040 250-25033 250-24671 250-24672
4.0 W8 4motion	3B6	202	BDN,BDP BDN,BDP BDN,BDP BDN,BDP		09.01 -> 05.05 09.01 -> 05.05 09.01 -> 05.05 09.01 -> 05.05	Pre Cat Left Pre Cat Right Post Cat Left Post Cat Right	250-25007 250-25003 250-24432 250-24494
3.6 R36 4motion	3C5	220	BWS BWS BWS BWS		09.07 -> 09.07 -> 09.07 -> 09.07 ->	Pre Cat Left Pre Cat Right Post Cat Left Post Cat Right	250-25040 250-25033 250-24671 250-24672
<b>PHAETON</b>							
4.2 V8 4motion	3D2	246	BGJ,BGH BGJ,BGH BGJ,BGH BGJ,BGH		05.03 -> 05.07 05.03 -> 05.07 05.03 -> 05.07 05.03 -> 05.07	Pre Cat Left Pre Cat Right Post Cat Left Post Cat Right	250-25007 250-25003 250-24432 250-24734
6.0 W12 4motion	3D2	309	BAN BAN BAN BAN		04.02 -> 05.05 04.02 -> 05.05 04.02 -> 05.05 04.02 -> 05.05	Pre Cat Left Pre Cat Right Post Cat Left Post Cat Right	250-25007 250-25003 250-24432 250-24494
6.0 W12 4motion	3D2	331	BTT,BRN BTT,BRN BTT,BRN BTT,BRN BTT,BRN BTT,BRN BTT,BRN		05.05 -> 05.07 05.05 -> 05.07 05.05 -> 05.07 05.05 -> 05.07 05.05 -> 05.07 05.05 -> 05.07 05.05 -> 05.07	Pre Cat Cyl 1-3 Pre Cat Cyl 4-6 Pre Cat Cyl 7-9 Pre Cat Cyl 10-12 Post Cat Cyl 1-3 Post Cat Cyl 4-6 Post Cat Cyl 7-9 Post Cat Cyl 10-12	250-25026 250-25026 250-25015 250-25026 250-24432 250-24432 250-24494 250-24432
<b>POLO</b>							
1.0	6N2	37	ALD AUC AUC		10.99 -> 09.01 10.99 -> 09.01 10.99 -> 09.01		250-24494 250-25002 250-24697
1.2	9N_ 9N_	40 47	AWY AZQ AZQ BME BME		01.02 -> 05.04 11.01 -> 05.04 11.01 -> 05.04 11.01 -> 07.07 11.01 -> 07.07	Pre Cat Pre Cat Post Cat Pre Cat Post Cat	250-24431 250-25003 250-24495 250-24797 250-24495
1.4	6N2	40	AKP AKP		10.99 -> 09.01 10.99 -> 09.01	Pre Cat Post Cat	250-25002 250-24697
	6N2	44	AKK AUD AUD AUD AUD	A/T A/T M/T M/T	10.99 -> 09.01 10.99 -> 09.01 10.99 -> 09.01 10.99 -> 09.01 10.99 -> 09.01		250-24494 250-25002 250-24689 250-25002 250-24697
1.4 16V	6N2	55	AHW AHW		10.99 -> 09.01 10.99 -> 09.01	Pre Cat Post Cat	250-24534 250-24574
1.4 FSI	9N_	63	AXU		05.02 -> 05.06		250-25002
1.4 16V	6N2	74	AFK		10.99 -> 09.01		250-24534
<b>POLO 45</b>							
1.0	6N1	33	AEV		10.94 -> 09.96		250-24555
<b>POLO 50</b>							
1.0	6N1	37	AER AER ALL	To Ch. No. V-350 000 Fr. Ch. No. W-000 001	09.96 -> 04.97 05.97 -> 10.99 08.97 -> 05.99		250-24719 250-24560 250-24558
<b>POLO 55</b>							
1.3	6N1	40	ADX ADX	w/o Cat.	10.94 -> 07.95 10.94 -> 07.95		250-24417 250-24555
1.4	6N1	40	ANX		01.98 -> 10.99		250-24558





Model / Liter	Body Code	Engine kW	Engine Code	Application Identifier Engine or Chassis	Year From→ To	Position	Walker Direct Fit
<b>VOLKSWAGEN (cont'd)</b>							
<b>POLO 60</b>							
1.4	6N1	44	AEX	Fr. Ch. No. V-000 001, To Ch. No. V-350 000	05.96 -> 04.97		250-24147
			AEX	Fr. Ch. No. W-000 001	05.97 -> 10.99		250-24558
			AEX	To Ch. No. T-250 000	07.95 -> 04.96		250-24555
			AEX	To Ch. No. V-350 000	07.95 -> 04.97		250-24555
			AKV,APQ		05.97 -> 10.99		250-24558
<b>POLO 75</b>							
1.6	6N1	55	AEA		10.94 -> 07.95		250-24555
			AEE		07.95 -> 04.97		250-24555
			AEE,AHS	To Ch. No. V-350 000	07.95 -> 04.97		250-24555
			AEE,AHS	Fr. Ch. No. W-000 001	05.97 -> 10.99		250-24582
<b>POLO 100</b>							
1.4 16V	6N1	74	AFH	To Ch. No. V-350 000	04.96 -> 04.97		250-24555
			AFH	Fr. Ch. No. V-350 001, To Ch. No. X-068 038	04.97 -> 11.98		250-24582
			AFH	Fr. Ch. No. X-068 039	11.98 -> 10.99		250-24558
<b>POLO 120</b>							
1.6 16V GTI	6N1	88	AJV		09.98 -> 10.99		250-24558
<b>POLO BOX</b>							
1.4	6NF	44	AEX,APQ		05.98 -> 12.99		250-24417
			AEX	Fr. Ch. No. 6N..W..000 001	05.98 -> 12.99		250-24558
<b>POLO CLASSIC</b>							
2.0	6KV2	85	ADC		08.99 -> 09.01		250-24066
<b>POLO CLASSIC 60</b>							
1.4	6KV2	44	AEX	To Ch. No. W-000 001	05.96 -> 05.97		250-24719
			AEX	Fr. Ch. No. W-000 001	12.97 -> 12.97		250-24147
			AKK		10.99 -> 09.01		250-24494
			AKV,ANX	To Ch. No. X-541 000	12.97 -> 09.98		250-24147
			AKV,ANX,APQ	Fr. Ch. No. X-541 001	09.98 -> 08.99		250-24558
			ANW		10.99 -> 09.01	Pre Cat	250-25002
			ANW		10.99 -> 08.00	Post Cat	250-24427
			APQ		05.97 -> 09.98		250-24147
<b>POLO CLASSIC 75</b>							
1.6	6KV2	55	1F		05.96 -> 09.97		250-24719
			AEE,ALM		09.97 -> 09.01		250-24547
<b>POLO CLASSIC 90</b>							
1.8	6KV2	66	ADD		03.98 -> 09.01		250-24066
<b>POLO CLASSIC 100</b>							
1.6	6KV2	74	AEH,AKL		10.99 -> 09.01		250-24494
			AFT	w/o Cat.	12.95 -> 09.99		250-24594
			AFT		05.96 -> 08.99		250-24194
<b>POLO Variant</b>							
1.4	6KV5	40	AKP		12.98 -> 09.01		250-25002
	6KV5	44	AEX		05.97 -> 12.97		250-24147
			AKK		10.99 -> 09.01		250-24494
			AKV,ANX	To Ch. No. X-541 000	12.97 -> 09.98		250-24147
			AKV,ANX,APQ	Fr. Ch. No. X-541 001	09.98 -> 08.99		250-24558
			ANW		10.99 -> 08.00	Pre Cat	250-25002
			ANW		10.99 -> 08.00	Post Cat	250-24427
			APQ		12.97 -> 09.98		250-24147
1.6	6KV5	55	AEE,ALM		09.97 -> 09.01		250-24547
	6KV5	74	AEH,AKL		10.99 -> 09.01		250-24494
			AFT		05.97 -> 08.99		250-24594
<b>SHARAN</b>							
1.8 T 20V	7M_	110	AJH		11.97 -> 02.00		250-24534
			AWC		04.00 -> 05.03	Pre Cat	250-25003
			AWC		04.00 -> 05.03	Post Cat	250-24734
2.0	7M_	85	ADY	To Ch. No. T-036 895	09.95 -> 03.96		250-24417
			ADY		03.96 -> 02.00		250-24194
			ATM		04.00 ->	Pre Cat	250-25003
			ATM		04.00 ->	Post Cat	250-24734
2.8 V6 24V	7M_	150	AYL		04.00 ->	Pre Cat	250-25007
			AYL		04.00 ->	Post Cat	250-24432
2.8 VR6	7M_	128	AAA	To Ch. No. T-021 998	09.95 -> 11.95		250-24417
			AAA	Fr. Ch. No. T-021 999, To Ch. No. W-050 000	11.95 -> 01.98		250-24147
			AAA	Fr. Ch. No. W-050 001	01.98 -> 03.98		250-24395
			AMY		04.98 -> 02.00		250-24395



Model / Liter	Body Code	Engine kW	Engine Code	Application Identifier Engine or Chassis	Year From→ To	Position	Walker Direct Fit
<b>VOLKSWAGEN (cont'd)</b>							
<b>TOUAREG</b>							
3.2 V6	7L	162	AZZ,BAA,BKJ		11.02 -> 05.04	Pre Cat Left	250-25007
			AZZ,BAA,BKJ		11.02 -> 05.04	Pre Cat Right	250-25002
			AZZ,BAA,BKJ		11.02 -> 05.04	Post Cat Left	250-24432
			AZZ,BAA,BKJ		11.02 -> 05.04	Post Cat Right	250-24494
			BMV,BRJ		05.04 -> 11.06	Pre Cat Left	250-25007
			BMV,BRJ		05.04 -> 11.06	Pre Cat Right	250-25002
			BMV,BRJ		05.04 -> 11.06	Post Cat Left	250-24432
			BMV,BRJ		05.04 -> 11.06	Post Cat Right	250-24494
3.6 V6 FSI	7L	206	BHK		03.06 ->	Pre Cat Left	250-25025
			BHK		03.06 ->	Pre Cat Right	250-25034
			BHK		03.06 ->	Post Cat Left	250-24671
			BHK		03.06 ->	Post Cat Right	250-24699
4.2 V8	7L	228	AXQ		12.02 -> 11.06	Pre Cat Left	250-25008
			AXQ		12.02 -> 11.06	Pre Cat Right	250-25003
			AXQ		12.02 -> 11.06	Post Cat Left	250-24493
			AXQ		12.02 -> 11.06	Post Cat Right	250-24843
5.0 R50 TDI	7L	257	BAR		11.07 ->	Pre Cat Left	250-25008
			BAR		11.07 ->	Pre Cat Right	250-25003
			BAR		11.07 ->	Post Cat Left	250-24726
			BAR		11.07 ->	Post Cat Right	250-24717
	7L	230	AYH		11.02 -> 04.04	Pre Cat Left	250-25054
			AYH		11.02 -> 04.04	Pre Cat Right	250-25053
			BLE		11.04 ->	Pre Cat Left	250-25037
			BLE		11.04 ->	Pre Cat Right	250-25036
<b>TOURAN</b>							
1.6 FSI	1T1, 1T2	85	BAG		02.03 -> 05.04		250-25002
			BLF		02.05 -> 01.07	Pre Cat	250-25034
			BLF		02.05 -> 01.07	Post Cat	250-24699
			BLP		05.04 -> 05.05		250-25034
1.9 TDI	1T1, 1T2	66	BXJ		11.06 ->	Pre Cat	250-25035
			BXJ		11.06 ->	Post Cat	250-25035
2.0 TDI 16V	1T1, 1T2	103	BMM		12.05 -> 11.06		250-25035
2.0 TDI	1T1, 1T2	103	BMM		11.06 ->		250-25035
<b>VOLVO</b>							
<b>C30</b>							
1.6		74	B4164S3		10.06 ->	Pre Cat	250-24701
			B4164S3		10.06 ->	Post Cat	250-24711
1.8		92	B4184S11		10.06 ->		250-24701
2.0		107	B4204S3		10.06 ->		250-24701
2.4 i		125	B5244S4		10.06 ->	Pre Cat	250-54026
			B5244S4		10.06 ->	Post Cat	250-24455
T5		162	B5254T3		10.06 -> 03.07	Pre Cat	250-25005
			B5254T3		10.06 -> 03.07	Post Cat	250-24409
<b>C70 Cabriolet</b>							
2.0		132	B5204T2	Lead free fuel	03.98 -> 09.98	Pre Cat	250-24135
			B5204T2		03.98 -> 09.98	Post Cat	250-24133
2.0 T		166	B5204T3		09.98 -> 09.99	Pre Cat	250-25005
			B5204T3		09.98 -> 09.99	Post Cat	250-24409
			B5204T3		09.99 -> 02.01	Pre Cat	250-25006
			B5204T3		09.99 -> 02.01	Post Cat	250-24409
		120	B5204T4		04.01 -> 09.02	Pre Cat	250-25006
			B5204T4		09.02 -> 10.05	Pre Cat Left	250-25006
			B5204T4		09.02 -> 10.05	Pre Cat Right	250-25006
			B5204T4		04.01 -> 10.05	Post Cat	• 250-24409
2.3 T5		176	B5234T3	Lead free fuel	03.98 -> 09.98	Pre Cat	250-24135
			B5234T3		03.98 -> 09.98	Post Cat	250-24133
			B5234T3		09.98 -> 09.99	Pre Cat	250-25005
			B5234T3		09.98 -> 09.99	Post Cat	250-24409
			B5234T3		09.99 -> 06.02	Pre Cat	250-25006
			B5234T3		09.99 -> 06.02	Post Cat	250-24409
		180	B5234T3E2		07.02 -> 10.05	Pre Cat	250-25006
			B5234T3E2		07.02 -> 10.05	Post Cat	250-24409
			B5234T9		01.03 -> 10.05	Pre Cat Left	250-25006
			B5234T9		01.03 -> 10.05	Pre Cat Right	250-25006
			B5234T9		01.03 -> 10.05	Post Cat	• 250-24409



Model / Liter	Body Code	Engine kW	Engine Code	Application Identifier Engine or Chassis	Year From→To	Position	Walker Direct Fit
<b>VOLVO (cont'd)</b>							
<b>C70 Cabriolet (cont'd)</b>							
2.4 i		125	B5244S4		03.06 ->	Pre Cat	250-54026
			B5244S4		03.06 ->	Post Cat	250-24455
2.5		147	B5244T7		10.02 -> 10.05	Pre Cat Left	250-25006
			B5244T7		10.02 -> 10.05	Pre Cat Right	250-25006
			B5244T7,T200		10.02 -> 10.05	Post Cat	•250-24409
		125	B5244S		04.99 -> 12.99	Pre Cat	250-54010
2.5 T		142	B5244S		04.99 -> 12.99	Post Cat	250-24408
			B5244S		04.99 -> 12.99	Pre Cat	250-54010
T5			B5254T	Lead free fuel	03.98 -> 09.98	Pre Cat	250-24408
			B5254T		03.98 -> 09.98	Post Cat	250-24135
			B5254T,B5244T		09.98 -> 09.99	Pre Cat	250-25005
			B5254T,B5244T		09.98 -> 09.99	Post Cat	250-24409
			B5254T,B5244T		09.99 -> 09.02	Pre Cat	250-25006
			B5254T,B5244T		09.99 -> 09.02	Post Cat	250-24409
		162	B5254T3		03.06 ->	Pre Cat	250-25005
T5			B5254T3		03.06 ->	Post Cat	250-24409
		169	B5254T7		05.07 ->	Pre Cat	250-25005
			B5254T7		05.07 ->	Post Cat	250-24409
<b>C70 Coupe</b>							
2.0		132	B5204T2	Lead free fuel	03.97 -> 09.98	Pre Cat	250-24135
			B5204T2		03.97 -> 09.98	Post Cat	250-24133
			B5204T2		09.98 -> 09.98	Pre Cat	250-25005
			B5204T2		09.98 -> 09.98	Post Cat	250-24409
2.0 T		120	B5204T4E2		04.01 -> 09.02	Pre Cat	250-25006
			B5204T4E2		04.01 -> 09.02	Post Cat	250-24409
			B5204T4E2		09.02 -> 09.02	Pre Cat Left	250-25006
			B5204T4E2		09.02 -> 09.02	Pre Cat Right	250-25006
		166	B5204T3	Lead free fuel	03.97 -> 09.98	Pre Cat	250-24135
			B5204T3		03.97 -> 09.98	Post Cat	250-24133
2.3 T-5			B5204T3		09.98 -> 09.99	Pre Cat	250-25005
			B5204T3		09.98 -> 09.99	Post Cat	250-24409
			B5204T3		09.99 -> 02.01	Pre Cat	250-25006
			B5204T3		09.99 -> 02.01	Post Cat	250-24409
		176	B5234T3	Lead free fuel	03.97 -> 09.98	Pre Cat	250-24135
			B5234T3		03.97 -> 09.98	Post Cat	250-24133
2.5			B5234T3		09.98 -> 09.99	Pre Cat	250-25005
			B5234T3		09.98 -> 09.99	Post Cat	250-24409
			B5234T3		09.99 -> 09.02	Pre Cat	250-25006
			B5234T3		09.99 -> 09.02	Post Cat	250-24409
		121	B5244S		04.99 -> 03.00	Pre Cat	250-54010
			B5244S		04.99 -> 03.00	Post Cat	250-24408
2.5 T		125	B5244S,B5254S		11.99 -> 09.00	Pre Cat	250-54010
			B5244S,B5254S		11.99 -> 09.00	Post Cat	250-24408
			B5244S,B5254S		09.00 -> 02.01	Pre Cat	250-54009
			B5244S,B5254S		09.00 -> 02.01	Post Cat	250-24408
2.5 T		142	B5254T	Lead free fuel	03.97 -> 09.98	Pre Cat	250-24135
			B5254T		03.97 -> 09.98	Post Cat	250-24133
			B5254T		09.98 -> 09.99	Pre Cat	250-25005
			B5254T		09.98 -> 09.99	Post Cat	250-24409
			B5254T		09.99 -> 09.02	Pre Cat	250-25006
			B5254T		09.99 -> 09.02	Post Cat	250-24409
<b>S40 I</b>							
1.6	VS	77	B4164S,SD3		01.97 -> 08.99		250-24526
	VS	80	B4164S2	Fr. Ch. No. 800054	03.99 -> 12.03	Pre Cat	250-24778
			B4164S2		04.99 -> 12.03	Pre Cat	250-24526
			B4164S2	To Ch. No. 800053	04.99 -> 12.03	Pre Cat	250-24535
1.8			B4164S2		04.99 -> 12.03	Post Cat	250-24541
	VS	85	B4184S3,B4184S	Fr. Ch. No. 800054	07.95 -> 08.99	Pre Cat	250-24778
			B4184S3,B4184S	Fr. Ch. No. 800053	04.99 -> 08.99	Pre Cat	250-24535
			B4184S3,B4184S		10.95 -> 08.99	Pre Cat	250-24526
			B4184S3,B4184S		04.99 -> 08.99	Post Cat	250-24541
1.8	VS	90	B4184S2	Fr. Ch. No. 800054	03.99 -> 12.03	Pre Cat	250-24778
			B4184S2	To Ch. No. 800053	04.99 -> 12.03	Pre Cat	250-24535
			B4184S2		04.99 -> 12.03	Pre Cat	250-24526
			B4184S2		04.99 -> 12.03	Post Cat	250-24541



Model / Liter	Body Code	Engine kW	Engine Code	Application Identifier Engine or Chassis	Year From→ To	Position	Walker Direct Fit
<b>VOLVO (cont'd)</b>							
<b>S40 I (cont'd)</b>							
1.8 i	VS	90	B4184S9		06.01 -> 12.03	Pre Cat	250-24526
			B4184S9	To Ch. No. 800053	06.01 -> 12.03	Pre Cat	250-24535
			B4184S9	Fr. Ch. No. 800054	06.01 -> 12.03	Pre Cat	250-24778
			B4184S9		06.01 -> 12.03	Post Cat	250-24541
	VS	92	B4184SM	A/T	03.98 -> 12.03	Pre Cat	250-24230
			B4184SM	M/T	03.98 -> 12.03	Pre Cat	250-54026
			B4184SM	M/T	03.98 -> 12.03	Post Cat	250-24455
1.9 T4	VS	147	B4194T,B4194T2		05.97 -> 07.00	Pre Cat	250-24543
				Fr. Ch. No. 168209	05.97 -> 07.00	Post Cat	250-24542
2.0	VS	100	B4204S2	Fr. Ch. No. 800054	07.95 -> 12.03	Pre Cat	250-24778
			B4204S2	To Ch. No. 800053	04.99 -> 12.03	Pre Cat	250-24535
			B4204S2		04.99 -> 12.03	Pre Cat	250-24526
			B4204S2		04.99 -> 12.03	Post Cat	250-24541
2.0 T	VS	103	B4204S	Lead free fuel	12.95 -> 08.99		250-24526
	VS	118	B4204T		11.97 -> 07.00	Pre Cat	250-24543
			B4204T	Fr. Ch. No. 168209	10.97 -> 07.00	Post Cat	250-24542
	VS	120	B4204T5		06.01 -> 12.03		250-24428
2.0 T4	VS	147	B4204T5		07.00 -> 09.00	Pre Cat	250-24543
			B4204T5		09.00 -> 12.03	Pre Cat	250-24428
			B4204T5	Fr. Ch. No. 773029	01.01 -> 12.03	Post Cat	250-24790
<b>S40 II</b>							
1.6	MS	74	B4164S3		01.05 ->	Pre Cat	250-54026
			B4164S3		01.05 ->	Post Cat	250-24455
1.8	MS	92	B4184S11		04.04 ->	Pre Cat	250-54026
			B4184S11		04.04 ->	Post Cat	250-24455
2.4	MS	103	B5244S5	A/T	03.04 ->	Pre Cat	250-54026
			B5244S5	A/T	03.04 ->	Post Cat	250-24455
			B5244S5	M/T	03.04 -> 12.06	Pre Cat	250-54026
			B5244S5	M/T	03.04 -> 12.06	Post Cat	250-24455
	MS	125	B5244S4		03.04 ->	Pre Cat	250-54026
			B5244S4		03.04 ->	Post Cat	250-24455
T5	MS	162	B5254T3		03.04 ->	Pre Cat	250-25005
			B5254T3		03.04 ->	Post Cat	250-24409
T5 AWD	MS	162	B5254T3		04.04 ->	Pre Cat	250-25005
			B5254T3		04.04 ->	Post Cat	250-24409
<b>S60</b>							
2.0 T		132	B5204T5		09.01 ->	Pre Cat	250-25006
			B5204T5		09.01 ->	Post Cat	250-24409
2.4		103	B5244S2		11.00 -> 09.02	Pre Cat	250-54009
			B5244S2		11.00 -> 09.01	Post Cat	250-24408
			B5244S2		09.01 ->	Post Cat	250-24482
			B5244S2		09.02 ->	Pre Cat	250-54028
			B5244S2	Euro 4 (D4)	09.02 ->	Post Cat	250-24455
		125	B5244S		11.00 -> 09.02	Pre Cat	250-54009
			B5244S		09.02 -> 09.03	Pre Cat	250-54026
			B5244S		11.00 -> 09.01	Post Cat	250-24408
			B5244S		09.01 ->	Post Cat	250-24482
			B5244S	Euro 4 (D4)	11.00 ->	Post Cat	250-24455
2.4 T		147	B5244T3		11.00 -> 01.03	Pre Cat	250-25006
			B5244T3		11.00 -> 01.03	Post Cat	250-24409
2.4 T5		191	B5244T5		04.04 ->	Pre Cat	250-25006
			B5244T5		04.04 ->	Post Cat	250-24409
2.4 T AWD		147	B5244T3		11.01 -> 01.03	Pre Cat	250-25006
			B5244T3		11.01 -> 01.03	Post Cat	250-24409
2.4 Bifuel		103	B5244SG,B5244SG2		06.02 -> 09.03	Pre Cat	250-54009
			B5244SG,B5244SG2		06.02 -> 09.02	Post Cat	250-24482
2.5 T		154	B5254T2		02.04 ->	Pre Cat	250-25006
			B5254T2		02.04 -> 09.04	Post Cat	250-24748
			B5254T2		09.04 ->	Post Cat	250-24409
2.5 T AWD		154	B5254T2		04.04 ->	Pre Cat	250-25006
			B5254T2		04.04 -> 09.04	Post Cat	250-24748
			B5254T2		09.04 ->	Post Cat	250-24409
R 2.5 T AWD		221	B5254T4		03.03 -> 04.07	Pre Cat	250-25006
			B5254T4		03.03 -> 09.04	Post Cat	250-24748
			B5254T4		09.04 -> 12.04	Post Cat	250-24409





Model / Liter	Body Code	Engine kW	Engine Code	Application Identifier Engine or Chassis	Year From→ To	Position	Walker Direct Fit
<b>VOLVO (cont'd)</b>							
<b>S60 (cont'd)</b>							
2.5 T5		184	B5234T3		08.00 -> 12.041	Pre Cat	250-25006
			B5234T3		08.00 -> 09.01	Post Cat	250-24409
			B5234T3		09.01 -> 09.04	Post Cat	250-24455
			B5234T3		09.04 -> 12.04	Post Cat	250-24409
			B5234T7E2	RH drive Only	08.00 -> 12.04	Pre Cat	250-25006
			B5234T7E2	RH drive Only	08.00 -> 09.01	Post Cat	250-24409
			B5234T7E2	RH drive Only	09.01 -> 09.04	Post Cat	250-24455
			B5234T7E2	RH drive Only	09.04 -> 12.04	Post Cat	250-24409
<b>S70</b>							
2.0	P80_	93	B5202FS		01.97 -> 09.98		250-24135
			B5202FS		09.98 -> 04.99		250-54010
	P80_	105	B5204S		01.97 -> 07.98	Pre Cat	250-24135
			B5204S		01.97 -> 07.98	Post Cat	250-24177
	P80_	120	B5204T4	Lead free fuel	07.98 -> 09.98	Pre Cat	250-24135
			B5204T4		07.98 -> 09.98	Post Cat	250-24133
			B5204T4		09.98 -> 09.99	Pre Cat	250-25005
			B5204T4		09.99 -> 11.00	Pre Cat	250-25006
			B5204T4		09.98 -> 11.00	Post Cat	250-24409
			B5204T4		01.97 -> 06.98	Pre Cat	250-24135
P80_	132	B5204T2	Lead free fuel	01.97 -> 06.98	Pre Cat	250-24135	
		B5204T2		01.97 -> 06.98	Post Cat	250-24133	
2.0 Turbo	P80_	155	B5204T		01.97 -> 07.98	Pre Cat	250-24135
			B5204T		01.97 -> 07.98	Post Cat	250-24133
	P80_	166	B5204T3	Lead free fuel	01.97 -> 09.98	Pre Cat	250-24135
			B5204T3		01.97 -> 09.98	Post Cat	250-24133
			B5204T3		07.98 -> 11.00	Pre Cat	250-25006
			B5204T3		07.98 -> 11.00	Post Cat	250-24409
			B5204T3		09.98 -> 09.99	Pre Cat	250-25005
			B5204T3		09.98 -> 09.99	Post Cat	250-24409
2.3 T-5	P80_	176	B5234T3	Lead free fuel	01.97 -> 09.98	Pre Cat	250-24135
			B5234T3		01.97 -> 09.98	Post Cat	250-24133
			B5234T3		09.98 -> 09.99	Pre Cat	250-25005
			B5234T3		09.98 -> 09.99	Post Cat	250-24409
2.3 Turbo	P80_	184	B5234T3		09.99 -> 11.00	Pre Cat	250-25006
			B5234T3		09.99 -> 11.00	Post Cat	250-24409
			B5234T3		09.98 -> 09.99	Pre Cat	250-25005
			B5234T3		09.98 -> 11.00	Pre Cat	250-25006
			B5234T3, T4	Lead free fuel	05.97 -> 09.98	Pre Cat	250-24135
			B5234T3, T4		05.97 -> 09.98	Post Cat	250-24133
2.4	P80_	103	B5244S2		08.99 -> 11.00	Pre Cat	250-54010
			B5244S2		08.99 -> 11.00	Post Cat	250-24408
			B5244S2		09.00 -> 11.00	Pre Cat	250-54009
	P80_	125	B5244S		09.00 -> 11.00	Pre Cat	250-54009
			B5244S		05.99 -> 11.00	Pre Cat	250-54010
			B5244S		05.99 -> 11.00	Post Cat	250-24408
2.4 Turbo	P80_	142	B5254T		01.97 -> 09.98	Pre Cat	250-24135
			B5254T		01.97 -> 09.98	Post Cat	250-24133
			B5254T		09.98 -> 09.99	Pre Cat	250-25005
			B5254T		09.98 -> 11.00	Post Cat	250-24409
			B5244T		09.99 -> 11.00	Pre Cat	250-25006
			B5254T		09.99 -> 11.00	Pre Cat	250-25005
2.5	P80_	106	B5252FS		01.97 -> 04.99		250-24814
			B5254FS, B5254S		06.98 -> 09.98	Pre Cat	250-24135
	P80_	121	B5254FS, B5254S		09.98 -> 04.99	Pre Cat	250-54010
			B5254FS, B5254S		06.98 -> 04.99	Post Cat	250-24408
2.5 Bifuel	P80_	103	B5244SG2		07.99 -> 09.00	Pre Cat	250-54010
			B5244SG2		09.00 -> 11.00	Pre Cat	250-54009
		B5244SG2		07.99 -> 11.00	Post Cat	250-24408	
	P80_	106	B5252FS, GB5252S2		10.98 -> 04.99	Pre Cat	250-24814
	GB5252S			10.98 -> 04.99		250-54010	
<b>S80</b>							
2.0	TS, XY	120	B5204T4		09.99 -> 12.00	Pre Cat	250-25006
			B5204T4		06.98 -> 12.00	Post Cat	250-24409
2.0 T	TS, XY	132	B5204T5		12.99 -> 02.06	Pre Cat	250-25006
			B5204T5		12.99 -> 02.06	Post Cat	250-24409
	TS, XY	166	B5204T3		09.99 -> 12.00	Pre Cat	250-25006
	B5204T3			06.98 -> 12.00	Post Cat	250-24409	



Model / Liter	Body Code	kW	Engine Code	Application Identifier Engine or Chassis	Year From→ To	Position	Walker Direct Fit
<b>VOLVO (cont'd)</b>							
<b>S80 (cont'd)</b>							
2.4	TS, XY	103	B5244S		01.99 -> 09.99	Pre Cat	250-54010
			B5244S		01.99 -> 09.01	Post Cat	250-24408
			B5244S		09.00 -> 09.02	Pre Cat	250-54009
			B5244S		09.01 -> 02.06	Post Cat	250-24482
			B5244S		09.02 -> 02.06	Pre Cat	250-54026
			B5244S	Euro 4 (D4)	09.02 -> 02.06	Post Cat	250-24455
	TS, XY	125	B5244S2		01.99 -> 09.99	Pre Cat	250-54010
			B5244S2		01.99 -> 09.01	Post Cat	250-24408
			B5244S2		09.00 -> 09.02	Pre Cat	250-54009
			B5244S2		09.01 -> 02.06	Post Cat	250-24482
			B5244S2		09.02 -> 02.06	Pre Cat	250-54028
			B5244S2	Euro 4 (D4)	09.02 -> 02.06	Post Cat	250-24455
2.4 Bifuel	TS, XY	103	B5244SG,SG2		09.01 -> 02.06	Pre Cat	250-54009
			B5244SG,SG2		09.01 -> 09.01	Post Cat	250-24408
			B5244SG,SG2		09.01 -> 09.02	Post Cat	250-24482
2.4 T	TS, XY	147	B5244T3		08.00 -> 12.03	Pre Cat	250-25006
			B5244T3		08.00 -> 12.03	Post Cat	250-24409
2.5 T	TS, XY	154	B5254T2		07.03 -> 02.06	Pre Cat	250-25006
			B5254T2		07.03 -> 09.04	Post Cat	250-24748
			B5254T2		09.04 -> 02.06	Post Cat	250-24409
2.5 T AWD	TS, XY	154	B5254T2		07.03 -> 02.06	Pre Cat	250-25006
			B5254T2		07.03 -> 09.04	Post Cat	250-24748
			B5254T2		09.04 -> 02.06	Post Cat	250-24409
2.8 T6	TS, XY	200	B6284T		06.98 -> 09.01	Pre Cat Left	250-25009
			B6284T		06.98 -> 09.01	Pre Cat Right	250-25009
			B6284T		06.98 -> 09.99	Post Cat	• 250-24410
			B6284T		09.01 -> 12.01	Pre Cat Left	250-25011
			B6284T		09.01 -> 12.01	Pre Cat Right	250-25006
			B6284T		09.01 -> 12.01	Post Cat Left	250-24353
			B6284T		09.01 -> 12.01	Post Cat Right	250-24409
2.9	TS, XY	147	B6294S		08.99 -> 07.01	Pre Cat Left	250-25009
			B6294S		08.99 -> 07.01	Pre Cat Right	250-25011
			B6294S		08.99 -> 07.01	Post Cat	• 250-24353
	TS, XY	150	B6304S3		06.98 -> 09.99	Pre Cat Left	250-25009
			B6304S3		06.98 -> 12.99	Pre Cat Right	250-25009
			B6304S3		06.98 -> 12.99	Post Cat Left	250-24410
			B6304S3		06.98 -> 12.99	Post Cat Right	250-24410
3.0	TS, XY	144	B6294S2		06.01 -> 09.01	Pre Cat Left	250-25009
			B6294S2		06.01 -> 09.01	Pre Cat Right	250-25011
			B6294S2		06.01 -> 09.01	Post Cat	• 250-24353
			B6294S2		09.01 -> 05.05	Pre Cat Left	250-25009
			B6294S2		09.01 -> 05.05	Pre Cat Right	250-25006
			B6294S2		09.01 -> 09.02	Post Cat Left	250-24353
			B6294S2		09.02 -> 05.05	Post Cat Left	250-24409
			B6294S2		09.01 -> 05.05	Post Cat Right	250-24409
3.0 T6	TS, XY	200	B6294T		06.01 -> 09.01	Pre Cat Left	250-25009
			B6294T		09.01 -> 02.06	Pre Cat Left	250-25011
			B6294T		06.01 -> 09.01	Pre Cat Right	250-25009
			B6294T		09.01 -> 02.06	Pre Cat Right	250-25006
			B6294T		09.01 -> 09.02	Post Cat Left	250-24353
			B6294T		09.02 -> 02.06	Post Cat Left	250-24409
			B6294T		09.01 -> 02.06	Post Cat Right	250-24409
<b>S80 II</b>							
2.5 T		147	B5254T6		03.06 ->		250-25005
3.2		175	B6324S		03.06 ->	Pre Cat Left	250-54028
			B6324S		03.06 ->	Post Cat Left	250-24455
3.2 AWD		175	B6324S		01.07 ->	Pre Cat Left	250-54028
			B6324S		01.07 ->	Pre Cat Right	250-54028
			B6324S		01.07 ->	Post Cat Left	250-24455
			B6324S		01.07 ->	Post Cat Right	250-24455
4.4 V8 AWD		232	B8444S		03.06 ->	Pre Cat Left	250-54026
			B8444S		03.06 ->	Pre Cat Right	250-54026
			B8444S		03.06 ->	Post Cat Left	250-24455
			B8444S		03.06 ->	Post Cat Right	250-24482
<b>V40</b>							
1.9			B4204T		01.00 -> 12.00	Pre Cat	250-24415
			B4204T		01.00 -> 12.00	Post Cat	250-24428



Model / Liter	Body Code	Engine kW	Engine Code	Application Identifier Engine or Chassis	Year From→To	Position	Walker Direct Fit
<b>VOLVO (cont'd)</b>							
<b>V40 (cont'd)</b>							
1.9			B4204T3		01.01 -> 12.03	Pre Cat	250-24415
			B4204T3		01.01 -> 12.03	Post Cat	250-24428
			B4204T4		01.03 -> 12.04	Pre Cat	250-24415
			B4204T4		01.03 -> 12.04	Post Cat	250-24428
<b>V40 Estate</b>							
1.6	VW	77	B4164S,SD3		05.97 -> 08.99		250-24526
	VW	80	B4164S2	To Ch. No. 800053	04.99 -> 06.04	Pre Cat	250-24535
			B4164S2	Fr. Ch. No. 800054	03.99 -> 03.04	Pre Cat	250-24778
			B4164S2		04.99 -> 03.04	Post Cat	250-24541
1.8	VW	85	B4184S3,B4184S	To Ch. No. 800053	04.99 -> 08.99		250-24535
			B4184S3,B4184S	Fr. Ch. No. 800054	07.95 -> 08.99		250-24778
			B4184S3,B4184S		10.95 -> 08.99		250-24526
	VW	90	B4184S2	To Ch. No. 800053	04.99 -> 06.04	Pre Cat	250-24535
			B4184S2	Fr. Ch. No. 800054	03.99 -> 03.04	Pre Cat	250-24778
			B4184S2	To Ch. No. 800053	04.99 -> 03.04	Post Cat	250-24541
			B4184S9	To Ch. No. 800053	01.01 -> 06.04	Pre Cat	250-24535
			B4184S9	To Ch. No. 800053	01.01 -> 06.04	Post Cat	250-24541
1.8 i	VW	92	B4184SM		03.98 -> 06.04		250-24230
1.9 T4	VW	147	B4194T2		05.97 -> 07.00	Pre Cat	250-24543
			B4194T2	Fr. Ch. No. 168209	05.97 -> 07.00	Post Cat	250-24542
2.0	VW	100	B4204S2	Fr. Ch. No. 800054	07.95 -> 03.04	Pre Cat	250-24778
			B4204S2	To Ch. No. 800053	04.99 -> 06.04	Pre Cat	250-24535
			B4204S2		04.99 -> 03.04	Post Cat	250-24541
	VW	103	B4204S	Lead free fuel	12.95 -> 08.99		250-24526
2.0 T	VW	118	B4204T		11.97 -> 07.00	Pre Cat	250-24543
			B4204T	Fr. Ch. No. 168209	10.97 -> 07.00	Post Cat	250-24542
	VW	120	B4204T3		06.01 -> 03.04		250-24428
	VW	121	B4204T3		09.00 -> 06.01	Pre Cat	250-24428
			B4204T3		07.00 -> 09.00	Pre Cat	250-24543
			B4204T3	Fr. Ch. No. 168209	07.00 -> 09.00	Post Cat	250-24542
2.0 T4	VW	147	B4194T		07.00 -> 09.00	Pre Cat	250-24543
			B4194T		09.00 -> 03.04	Pre Cat	250-24428
			B4194T	Fr. Ch. No. 168209	07.00 -> 09.00	Post Cat	250-24542
			B4194T	Fr. Ch. No. 773029	01.01 -> 03.04	Post Cat	250-24790
<b>V50</b>							
1.6	MW	74	B4164S3		01.05 -> 04.07	Pre Cat	250-54026
			B4164S3		01.05 -> 04.07	Post Cat	250-24455
1.8	MW	92	B4184S11		05.04 ->	Pre Cat	250-54026
			B4184S11		05.04 ->	Post Cat	250-24455
2.0	MW	107	B4204S3		10.06 ->	Pre Cat	250-54026
			B4204S3		10.06 ->	Post Cat	250-24455
2.4	MW	125	B5244S		04.04 ->	Pre Cat	250-54026
			B5244S		04.04 ->	Post Cat	250-24455
	MW	103	B5244S5		04.04 ->	Pre Cat	250-54026
			B5244S5		04.04 ->	Post Cat	250-24455
			B5244S5		04.04 -> 12.06	Pre Cat	250-54026
			B5244S5		04.04 -> 12.06	Post Cat	250-24455
3.0 T5	MW	162	B5254T3		04.04 -> 12.05	Pre Cat	250-25005
			B5254T3		04.04 -> 12.05	Post Cat	250-24409
<b>V70 I Estate</b>							
2.0	P80_	93	B5202FS		05.97 -> 06.98		250-24814
	P80_	105			01.97 -> 07.98	Post Cat	250-24177
	P80_	120	B5204T4	Lead free fuel	05.97 -> 06.98	Pre Cat	250-24135
			B5204T4		05.97 -> 06.98	Post Cat	250-24133
	P80_	132	B5204T2	Lead free fuel	05.97 -> 06.98	Pre Cat	250-24135
			B5204T2		05.97 -> 06.98	Post Cat	250-24133
2.0 Turbo	P80_	155	B5204T		01.97 -> 07.98	Pre Cat	250-24135
			B5204T	Fr. Ch. No. 342001	01.97 -> 07.98	Post Cat	250-24133
			B5204T	To Ch. No. 342000	01.97 -> 07.98	Post Cat	250-24177
			B5204T		08.98 -> 07.99	Pre Cat	250-25005
			B5204T		08.99 -> 03.00	Pre Cat	250-25006
			B5204T		08.98 -> 03.00	Post Cat	250-24409
	P80_	166	B5204T3	Lead free fuel	05.97 -> 06.98	Pre Cat	250-24135
			B5204T3		05.97 -> 06.98	Post Cat	250-24133
2.3 T-5	P80_	176	B5234T3, T4, T6	Lead free fuel	05.97 -> 06.98	Pre Cat	250-24135
			B5234T3, T4, T6		05.97 -> 06.98	Post Cat	250-24133
2.3 T AWD, Turbo	P80_	184	B5234T3, T4	Lead free fuel	05.97 -> 06.98	Pre Cat	250-24135
			B5234T3, T4		05.97 -> 06.98	Post Cat	250-24133



Model / Liter	Body Code	Engine kW	Engine Code	Application Identifier Engine or Chassis	Year From→ To	Position	Walker Direct Fit
<b>VOLVO (cont'd)</b>							
<b>V70 I Estate (cont'd)</b>							
2.4	P80_	125	B5254FS		01.97 -> 09.98	Pre Cat	250-24135
			B5254FS		09.98 -> 12.99	Pre Cat	250-54010
			B5254FS		01.97 -> 12.99	Post Cat	250-24408
2.4, Bifuel	P80_	103	B5244S2		08.99 -> 09.99	Pre Cat	250-54010
			B5244S2		08.99 -> 12.99	Post Cat	250-24408
2.4 Turbo	P80_	142	B5254T	Lead free fuel	01.97 -> 09.98	Pre Cat	250-24135
			B5254T		01.97 -> 09.98	Post Cat	250-24133
			B5254T,B5244T		09.98 -> 09.99	Pre Cat	250-25005
			B5254T,B5244T		09.99 -> 03.00	Pre Cat	250-25006
			B5254T,B5244T		09.98 -> 03.00	Post Cat	250-24409
2.5	P80_	106	B5252FS		01.97 -> 12.99	Pre Cat	250-24814
	P80_	121	B5254FS		06.98 -> 09.98	Pre Cat	250-24135
			B5254FS		09.98 -> 12.99	Pre Cat	250-54010
			B5254FS		06.98 -> 12.99	Post Cat	250-24408
2.5 Bifuel	P80_	106	B5252FS,GB5252S		10.98 -> 08.99		250-24814
2.5 Turbo AWD	P80_	142	B5254T	Lead free fuel	01.97 -> 09.98	Pre Cat	250-24135
			B5254T		01.97 -> 09.98	Post Cat	250-24133
			B5254T		09.98 -> 03.00	Pre Cat	250-25005
			B5254T		09.98 -> 03.00	Post Cat	250-24409
			B5254T		09.99 -> 03.00	Pre Cat	250-25006
2.5 AWD	P80_	195			03.99 -> 03.00	Pre Cat	250-25005
					03.99 -> 03.00	Post Cat	250-24409
					08.99 -> 03.00	Pre Cat	250-25006
<b>V70 II Estate</b>							
2.0 T	P80_	132	B5204T5		07.01 -> 04.07	Pre Cat	250-25006
			B5204T5		07.01 -> 07.04	Post Cat	250-24409
2.3 T5	P80_	184	B5234T3		03.00 -> 03.05	Pre Cat	250-25006
			B5234T3		03.00 -> 03.05	Post Cat	250-24409
2.4	P80_	103	B5244S2		01.01 -> 09.02	Pre Cat	250-54009
			B5244S2		09.02 -> 04.07	Pre Cat	250-54026
			B5244S2		01.01 -> 09.01	Post Cat	250-24408
			B5244S2	Euro 4 (D4)	01.01 -> 04.07	Post Cat	250-24455
			B5244S2		01.01 -> 04.07	Post Cat	250-24482
	P80_	125	B5244S		01.01 -> 09.02	Pre Cat	250-54009
			B5244S		09.02 -> 04.07	Pre Cat	250-54028
			B5244S		01.01 -> 09.01	Post Cat	250-24408
			B5244S		01.01 -> 04.07	Post Cat	250-24482
			B5244S	Euro 4 (D4)	01.01 -> 04.07	Post Cat	250-24455
2.4 Bifuel	P80_	103	B5244SG		09.01 -> 04.07	Pre Cat	250-54009
			B5244SG2		09.01 -> 12.05	Pre Cat	250-54009
			B5244SG,SG2		09.01 -> 09.01	Post Cat	250-24408
			B5244SG,SG2		09.01 -> 09.02	Post Cat	250-24482
2.4 T	P80_	147	B5244T3		03.00 -> 10.05	Pre Cat	250-25006
			B5244T3		03.00 -> 03.05	Post Cat	250-24409
	P80_	147	B5244T4	RH drive Only	12.04 -> 03.05	Pre Cat	250-25006
			B5244T4	RH drive Only; A/T	12.04 -> 10.05	Post Cat	250-24409
2.4 T AWD	P80_	147	B5244T3		09.01 -> 03.05	Pre Cat	250-25006
			B5244T3		09.01 -> 03.05	Post Cat	250-24409
2.4 T5	P80_	191	B5244T5		04.04 -> 04.07	Pre Cat	250-25006
			B5244T5		04.04 -> 04.07	Post Cat	250-24409
2.5 T	P80_	154	B5254T2		04.04 -> 09.04	Pre Cat	250-25006
			B5254T2		04.04 -> 09.04	Post Cat	250-24748
R 2.5 T AWD	P80_	221	B5254T4		03.03 -> 09.04	Pre Cat	250-25006
			B5254T4		03.03 -> 09.04	Post Cat	250-24748
<b>V70 III Estate</b>							
2.5 T		147	B5254T6		08.07 ->		250-25005
3.0 T6 AWD		210	B6304T2		08.07 ->	Pre Cat	250-24455
			B6304T2		08.07 ->	Post Cat	250-54028
3.2		175			08.07 ->	Pre Cat	Left 250-54028
			B6324S		08.07 ->	Pre Cat	Right 250-54028
			B6324S		08.07 ->	Post Cat	Left 250-24455
			B6324S		08.07 ->	Post Cat	Right 250-24455
<b>XC70</b>							
2.5			B5254T2		01.03 -> 12.04	Pre Cat	250-25006
			B5254T2		01.03 -> 12.04	Post Cat	250-24748
			B5254T2		01.05 -> 12.07	Pre Cat	250-25006
			B5254T2		01.05 -> 12.07	Post Cat	250-24409





Model / Liter	Body Code	Engine kW	Engine Code	Application Identifier Engine or Chassis	Year From→ To	Position	Walker Direct Fit
<b>VOLVO (cont'd)</b>							
<b>XC70 (cont'd)</b>							
3.2			B6324S		01.08 -> 12.08	Pre Cat Left	250-54028
			B6324S		01.08 -> 12.08	Pre Cat Right	250-54028
			B6324S		01.08 -> 12.08	Post Cat Left	250-24455
			B6324S		01.08 -> 12.08	Post Cat Right	250-24455
<b>XC70 CROSS COUNTRY</b>							
2.4 T XC AWD		147	B5244T3, B5244T4		09.00 -> 09.02	Pre Cat	250-25006
			B5244T3, B5244T4		09.00 -> 09.02	Post Cat	250-24409
		154	B5254T2		09.02 -> 03.07	Pre Cat	250-25006
			B5254T2		09.02 -> 03.07	Post Cat	250-24409
<b>XC70 II</b>							
3.2 AWD		175	B6324S		08.07 ->	Pre Cat	250-54028
			B6324S		08.07 ->	Post Cat	250-24455
<b>XC90</b>							
2.5			B5254T2		01.03 -> 12.04	Pre Cat	250-25006
			B5254T2		01.03 -> 12.04	Post Cat	250-24748
			B5254T2		01.05 -> 12.06	Pre Cat	250-25006
			B5254T2		01.05 -> 12.06	Post Cat	250-24409
2.9			B6294T		01.03 -> 12.05	Pre Cat Left	250-25011
			B6294T		01.03 -> 12.05	Pre Cat Right	250-25006
			B6294T		01.03 -> 12.05	Post Cat Left	250-24409
			B6294T		01.03 -> 12.05	Post Cat Right	250-24409
3.2			B6324S		01.07 -> 12.08	Pre Cat Left	250-54028
			B6324S		01.07 -> 12.08	Pre Cat Right	250-54028
			B6324S		01.07 -> 12.08	Post Cat Left	250-24482
			B6324S		01.07 -> 12.08	Post Cat Right	250-24744
4.4			B8444S		01.05 -> 12.08	Pre Cat Left	250-54026
			B8444S		01.05 -> 12.08	Pre Cat Right	250-54026
			B8444S		01.05 -> 12.08	Post Cat Left	250-24455
			B8444S		01.05 -> 12.08	Post Cat Right	250-24482
			B8444S		01.05 -> 12.08	Post Cat Right	250-24482



Walker

Walker

Walker



All universals are not identical. Please refer to the application guide for selection of the correct universal sensor.

**250-21000**  
UNIVERSAL SINGLE WIRE

**250-24000**  
UNIVERSAL FOUR WIRE

**250-21050**  
UNIVERSAL SINGLE WIRE

**250-24050**  
UNIVERSAL FOUR WIRE

**250-22000**  
UNIVERSAL TWO WIRE

**250-24200**  
UNIVERSAL FOUR WIRE

**250-22050**  
UNIVERSAL TWO WIRE

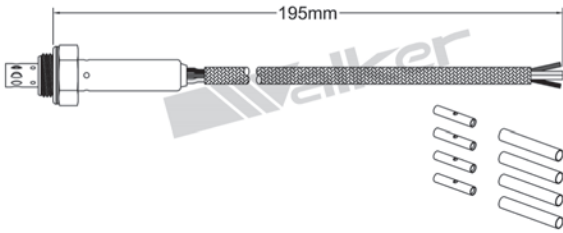
**250-24250**  
UNIVERSAL FOUR WIRE

**250-23000**  
UNIVERSAL THREE WIRE

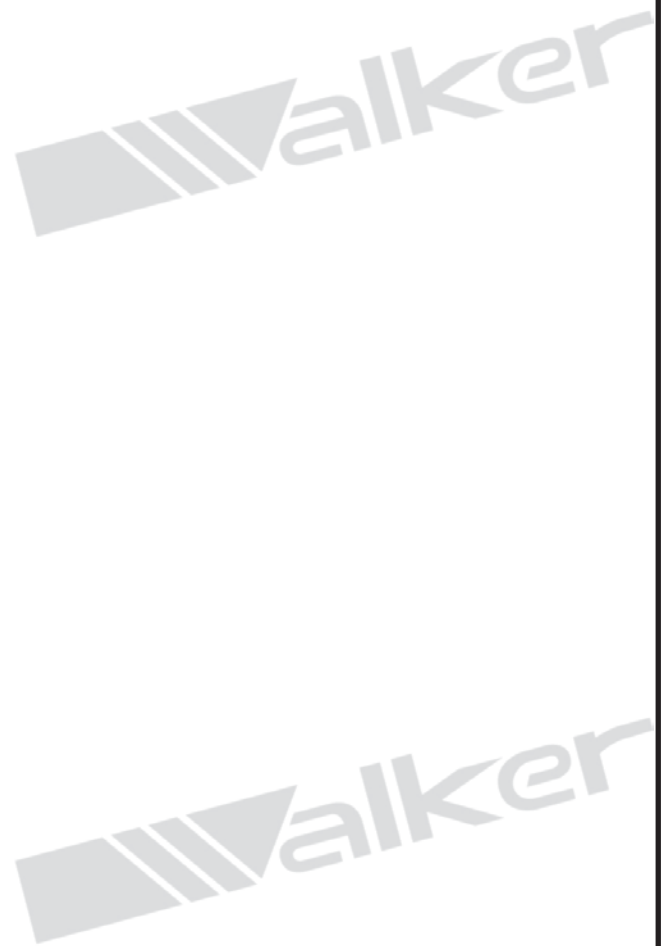
**250-24400**  
UNIVERSAL FOUR WIRE



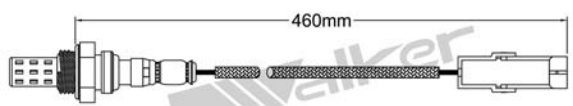
All universals are not identical. Please refer to the application guide for selection of the correct universal sensor.




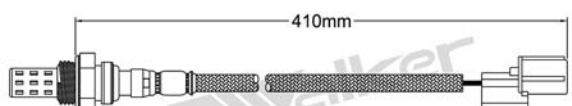
**250-24882**  
UNIVERSAL FOUR WIRE




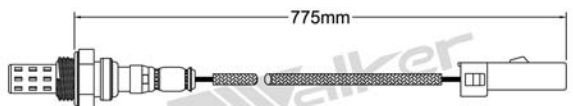



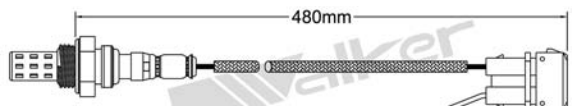
**250-21001**  
CHEVROLET 1991-1999  
GMC 1983-1998  
NISSAN 1994-2000  
SUZUKI 1989-1996  
*Unheated Lambda Sensor*

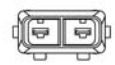
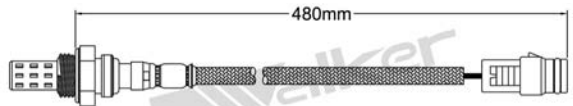
**250-21031**  
HONDA 1995-2001  
*Unheated Lambda Sensor*


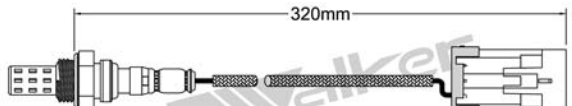
**250-21007**  
MITSUBISHI 1990-1996  
*Unheated Lambda Sensor*


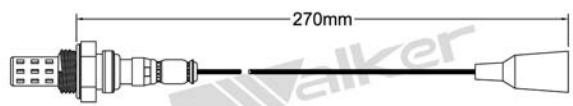
**250-21037**  
VOLKSWAGEN 1991-1997  
*Unheated Lambda Sensor*


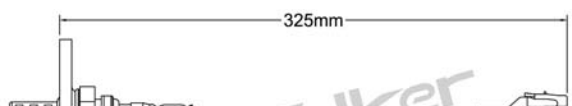
**250-21009**  
HONDA 1988-1995  
*Unheated Lambda Sensor*


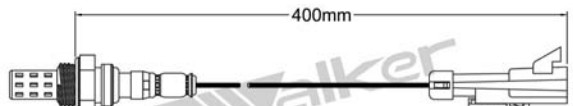
**250-21038**  
NISSAN 1993-1995  
*Unheated Lambda Sensor*


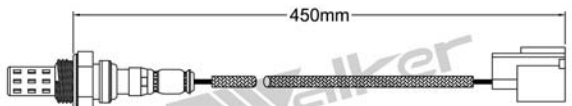
**250-21013**  
NISSAN 1991-2000  
*Unheated Lambda Sensor*


**250-21053**  
TOYOTA 1994-1995  
*Unheated Lambda Sensor*

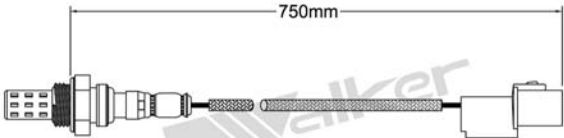



**250-21028**  
CHEVROLET 1999-2000  
GMC 1999-2000  
*Unheated Lambda Sensor*


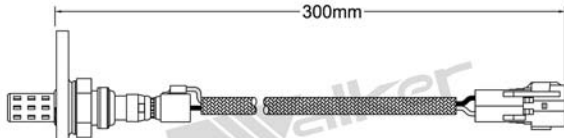



**250-21061**  
MITSUBISHI 1989-1995  
*Unheated Lambda Sensor*


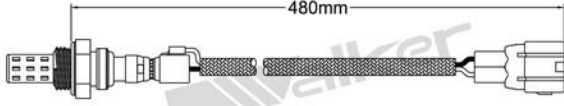


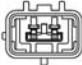
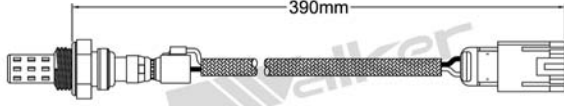
**250-21066**  
HYUNDAI 1998-2001  
*Unheated Lambda Sensor*


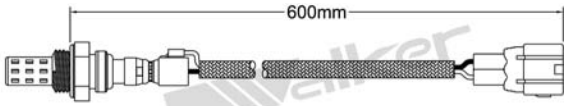
**250-22058**  
TOYOTA 1996  
*Unheated Lambda Sensor*

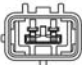
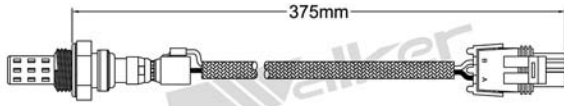
**250-22003**  
TOYOTA 1995-1997  
*Unheated Lambda Sensor*


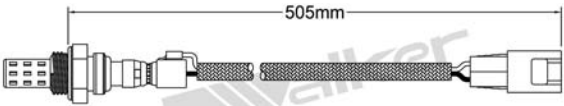
**250-22060**  
CHEVROLET 2000-2003  
GMC 2001-2003  
*Unheated Lambda Sensor*


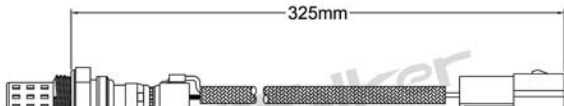
**250-22008**  
TOYOTA 1994-1996  
*Unheated Lambda Sensor*


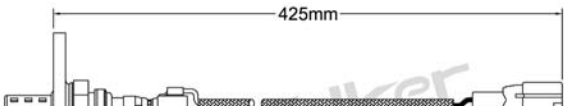
**250-22063**  
RENAULT 1994-1996  
*Unheated Lambda Sensor*


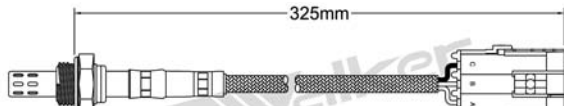
**250-22014**  
JAGUAR 1998-1999  
*Unheated Lambda Sensor*


**250-22076**  
CHEVROLET 2005  
*Unheated Lambda Sensor*

**250-22052**  
TOYOTA 1993-1995  
*Unheated Lambda Sensor*

**250-23003**  
RENAULT 1994-1998  
*Heated Lambda Sensor*





**250-23004**  
ISUZU 1994-1995  
*Heated Lambda Sensor*

**250-23028**  
AUDI 1994-1997  
*Heated Lambda Sensor*

**250-23005**  
CHEVROLET 1990-1995  
GMC 1993-1995  
RENAULT 1992-1996  
*Heated Lambda Sensor*

**250-23032**  
AUDI 1994-1997  
CHRYSLER 1998-1999  
*Heated Lambda Sensor*

**250-23011**  
CHEVROLET 1995-1996  
GMC 1985-1996  
*Heated Lambda Sensor*

**250-23048**  
ALFA ROMEO 1992-Up  
AUDI 1994-1997  
*Heated Lambda Sensor*

**250-23019**  
ASTON MARTIN 1997-1998  
AUDI 1994-1997  
*Heated Lambda Sensor*

**250-23067**  
MERCEDES BENZ 1993-1995  
*Heated Lambda Sensor*

**250-23023**  
SEAT 1993-1996  
VOLKSWAGEN 1993-1997  
*Heated Lambda Sensor*

**250-23075**  
NISSAN 1996-1999  
*Heated Lambda Sensor*



**250-23079**  
SAAB 1998-2000  
*Heated Lambda Sensor*

**250-23089**  
INFINITI 1995-1996  
NISSAN 1992-2004  
*Heated Lambda Sensor*

**250-23083**  
SUBARU 1993-2000  
*Heated Lambda Sensor*

**250-23091**  
SUBARU 1996-1999  
*Heated Lambda Sensor*

**250-23084**  
HYUNDAI 1997-1999  
KIA 1995  
*Heated Lambda Sensor*

**250-23093**  
NISSAN 1994-1995  
*Heated Lambda Sensor*

**250-23087**  
INFINITI 1995-2001  
*Heated Lambda Sensor*

**250-23102**  
AUDI 1994-1997  
*Heated Lambda Sensor*

**250-23088**  
SUBARU 1990-1998  
*Heated Lambda Sensor*

**250-23103**  
SUBARU 1994-1996X  
*Heated Lambda Sensor*





**250-23104**  
NISSAN 1995-1999  
*Heated Lambda Sensor*

**250-23122**  
NISSAN 2000-2003  
*Heated Lambda Sensor*

**250-23106**  
ALFA ROMEO 1995-2003  
*Heated Lambda Sensor*

**250-23126**  
KIA 1995  
*Heated Lambda Sensor*

**250-23109**  
NISSAN 1996-2004  
*Heated Lambda Sensor*

**250-23129**  
HYUNDAI 1994-1997  
*Heated Lambda Sensor*

**250-23113**  
AUDI 1995-1998  
*Heated Lambda Sensor*

**250-23131**  
NISSAN 2000-2004  
*Heated Lambda Sensor*

**250-23121**  
NISSAN 2000-2001  
*Heated Lambda Sensor*

**250-23133**  
NISSAN 2000-2001  
*Heated Lambda Sensor*



**250-23135**  
NISSAN 2000  
*Heated Lambda Sensor*

**250-23505**  
NISSAN 1993-1996  
*Heated Lambda Sensor*

**250-23138**  
NISSAN 1995-1999  
*Heated Lambda Sensor*

**250-23521**  
NISSAN 1996  
*Heated Lambda Sensor*

**250-23141**  
RENAULT 1996-Up  
*Heated Lambda Sensor*

**250-23816**  
ALFA ROMEO 1994-1996  
*Heated Lambda Sensor*

**250-23143**  
NISSAN 1990-1995  
*Heated Lambda Sensor*

**250-23828**  
RENAULT 1991-1999  
*Heated Lambda Sensor*

**250-23146**  
NISSAN 1995-1999  
*Heated Lambda Sensor*

**250-24001**  
ASTON MARTIN 2000-2007  
FORD 1991-2008  
JAGUAR 1999-Up  
MAZDA 1999-2008  
*Heated Lambda Sensor*



**250-24002**  
CHRYSLER 1992-1997  
DODGE 1990-1997  
JEEP 1991-1995  
*Heated Lambda Sensor*

**250-24012**  
GMC 1994-2002  
ISUZU 1995-2003  
NISSAN 1998-2001  
*Heated Lambda Sensor*

**250-24003**  
CHRYSLER 1995-1999  
JEEP 1993-1995  
MITSUBISHI 1995-1996  
*Heated Lambda Sensor*

**250-24015**  
FORD 1995-2002  
*Heated Lambda Sensor*

**250-24004**  
CHRYSLER 1989-1996  
DODGE 1989-1996  
JEEP 1991-1995  
*Heated Lambda Sensor*

**250-24017**  
MITSUBISHI 1995-2006  
*Heated Lambda Sensor*

**250-24009**  
HYUNDAI 1993-1998  
*Heated Lambda Sensor*

**250-24018**  
GMC 1996-2003  
NISSAN 2002-2005  
*Heated Lambda Sensor*

**250-24011**  
HONDA 1991-2002  
*Heated Lambda Sensor*

**250-24019**  
CHEVROLET 1996-2002  
GMC 1996-2000  
*Heated Lambda Sensor*



**250-24020**  
MITSUBISHI 1995-1998  
*Heated Lambda Sensor*

**250-24038**  
MERCEDES BENZ 1992-2001  
*Heated Lambda Sensor*

**250-24021**  
BMW 1991-1996  
*Heated Lambda Sensor*

**250-24044**  
MERCEDES BENZ 1994-1995  
*Heated Lambda Sensor*

**250-24024**  
BMW 1992-1995  
*Heated Lambda Sensor*

**250-24049**  
CHEVROLET 2001-2003  
SUZUKI 1998-Up  
*Heated Lambda Sensor*

**250-24026**  
MITSUBISHI 1994-2008  
*Heated Lambda Sensor*

**250-24052**  
TOYOTA 1991-1997  
*Heated Lambda Sensor*

**250-24034**  
MERCEDES BENZ 1993-1998  
*Heated Lambda Sensor*

**250-24060**  
SUZUKI 1994-2002  
*Heated Lambda Sensor*





625mm

**250-24066**  
SEAT 1993-1996  
VOLKSWAGEN 1993-2001  
*Heated Lambda Sensor*

600mm

**250-24076**  
CHRYSLER 1997-2000  
JEEP 1996-1998  
MITSUBISHI 1997-1999  
*Heated Lambda Sensor*

480mm

**250-24067**  
CHEVROLET 2006-Up  
*Heated Lambda Sensor*

375mm

**250-24077**  
CHRYSLER 1993-2001  
DODGE 1996-2001  
JEEP 1996-2001  
*Heated Lambda Sensor*

765mm

**250-24070**  
FORD 1995-2004  
MAZDA 1995-2003  
*Heated Lambda Sensor*

400mm

**250-24078**  
CHRYSLER 1996-Up  
DODGE 1998-2000  
JEEP 1998-2000  
*Heated Lambda Sensor*

300mm

**250-24074**  
CHRYSLER 1996-2000  
*Heated Lambda Sensor*

465mm

**250-24079**  
CHRYSLER 1998-2000  
DODGE 1996-2002  
JEEP 2000  
*Heated Lambda Sensor*

1290mm

**250-24075**  
CHRYSLER 1997-2000  
DODGE 1996-2000  
*Heated Lambda Sensor*

465mm

**250-24080**  
CHRYSLER 1996-2001  
DODGE 1994-2002  
JEEP 1996-2001  
*Heated Lambda Sensor*



**250-24081**  
CHRYSLER 1996-2000  
*Heated Lambda Sensor*

**250-24093**  
HONDA 1991-1997  
*Heated Lambda Sensor*

**250-24082**  
CHRYSLER 1996-2000  
*Heated Lambda Sensor*

**250-24099**  
HONDA 1991-2001  
*Heated Lambda Sensor*

**250-24083**  
CHRYSLER 1995-1999  
DODGE 1995-1999  
MITSUBISHI 1995-1999  
*Heated Lambda Sensor*

**250-24100**  
DODGE 2000  
JEEP 1999-2000  
*Heated Lambda Sensor*

**250-24086**  
MAZDA 2003-2005  
*Heated Lambda Sensor*

**250-24101**  
NISSAN 1996-2000  
*Heated Lambda Sensor*

**250-24087**  
CADILLAC 1996-1998  
*Heated Lambda Sensor*

**250-24102**  
NISSAN 1996-2004  
*Heated Lambda Sensor*



300mm

**250-24103**  
INFINITI 1997-2001  
NISSAN 1996-1999  
*Heated Lambda Sensor*

300mm

**250-24115**  
DODGE 2000  
JEEP 1999-2000  
*Heated Lambda Sensor*

580mm

**250-24106**  
LEXUS 1998-2005  
TOYOTA 1997-2001  
*Heated Lambda Sensor*

450mm

**250-24117**  
CHRYSLER 1999-Up  
*Heated Lambda Sensor*

350mm

**250-24107**  
CHEVROLET 1998-2002  
TOYOTA 1995-2004  
*Heated Lambda Sensor*

985mm

**250-24119**  
ALFA ROMEO 1994-Up  
FIAT 1994-Up  
*Heated Lambda Sensor*

505mm

**250-24109**  
RENAULT 1997-2002  
*Heated Lambda Sensor*

650mm

**250-24121**  
HONDA 1996-2005  
*Heated Lambda Sensor*

400mm

**250-24113**  
CHRYSLER 2000-2004  
*Heated Lambda Sensor*

740mm

**250-24123**  
MAZDA 1994-1998  
*Heated Lambda Sensor*



**250-24125**  
BMW 1994-2004  
*Heated Lambda Sensor*

**250-24134**  
RENAULT 1996-2000  
*Heated Lambda Sensor*

**250-24127**  
FORD 1998-2008  
MAZDA 1994-2001  
MERCURY 1998-2008  
*Heated Lambda Sensor*

**250-24135**  
PORSCHE 1997-2001  
SAAB 1998-Up  
VOLVO 1997-1998  
*Heated Lambda Sensor*

**250-24128**  
MAZDA 2000-2005  
*Heated Lambda Sensor*

**250-24137**  
LEXUS 1998-2005  
TOYOTA 1999-2003  
*Heated Lambda Sensor*

**250-24132**  
ALFA ROMEO 1992-1998  
*Heated Lambda Sensor*

**250-24138**  
INFINITI 1996  
*Heated Lambda Sensor*

**250-24133**  
PORSCHE 1995-2001  
VOLVO 1997-1998  
*Heated Lambda Sensor*

**250-24140**  
MERCEDES BENZ 1993-2001  
*Heated Lambda Sensor*





**250-24141**  
MERCEDES BENZ 1994-2001  
*Heated Lambda Sensor*

**250-24147**  
SEAT 1997-1998  
VOLKSWAGEN 1991-1998  
*Heated Lambda Sensor*

**250-24143**  
BMW 1997-2006  
MERCEDES BENZ 1992-2006  
*Heated Lambda Sensor*

**250-24153**  
LEXUS 1996-1997  
TOYOTA 1994-2000  
*Heated Lambda Sensor*

**250-24144**  
FERRARI 1996  
*Heated Lambda Sensor*

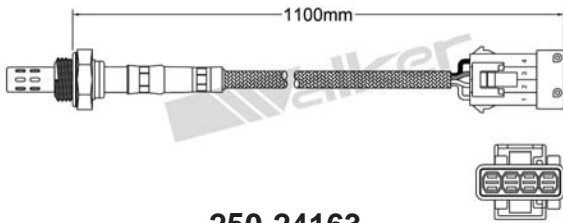
**250-24154**  
CHEVROLET 1998-2002  
LEXUS 1998-2005  
TOYOTA 1998-Up  
*Heated Lambda Sensor*

**250-24145**  
ALFA ROMEO 1994-1998  
*Heated Lambda Sensor*

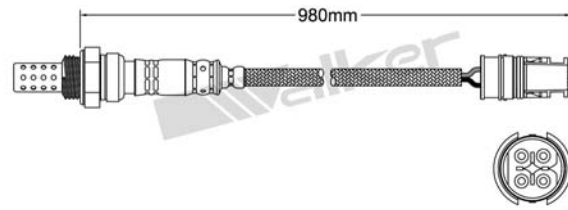
**250-24155**  
LEXUS 1994-1997  
*Heated Lambda Sensor*

**250-24146**  
AUDI 1996-2001  
VOLKSWAGEN 1996-2000  
*Heated Lambda Sensor*

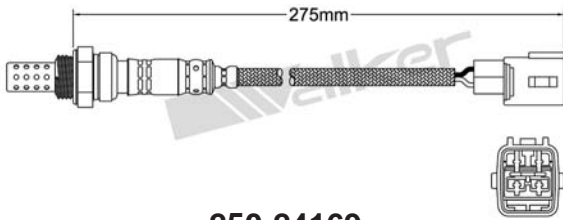
**250-24157**  
LEXUS 1996-1997  
TOYOTA 1995-1997  
*Heated Lambda Sensor*



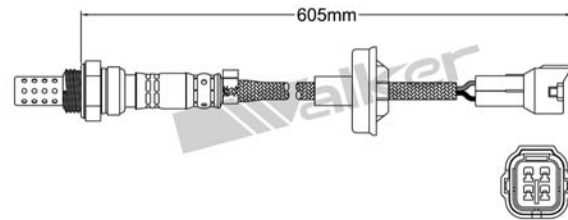
**250-24163**  
PORSCHE 1994-1997  
SAAB 1998  
*Heated Lambda Sensor*



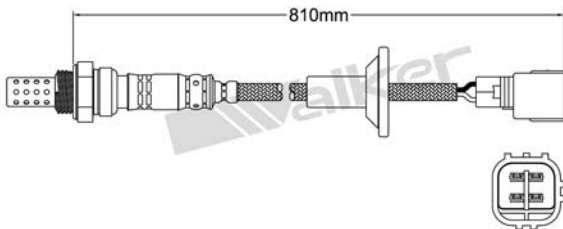
**250-24180**  
MERCEDES BENZ 1994-2006  
*Heated Lambda Sensor*



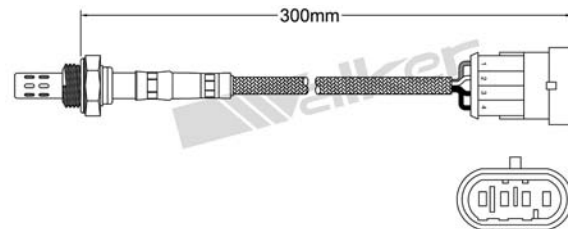
**250-24169**  
LEXUS 1995-2008  
TOYOTA 1998-2005  
*Heated Lambda Sensor*



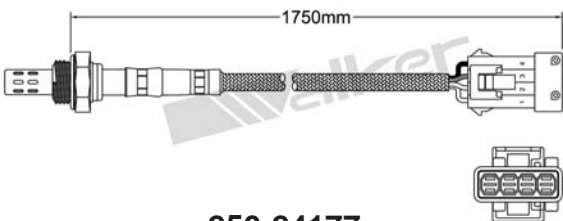
**250-24189**  
CHEVROLET 1998-2000  
*Heated Lambda Sensor*



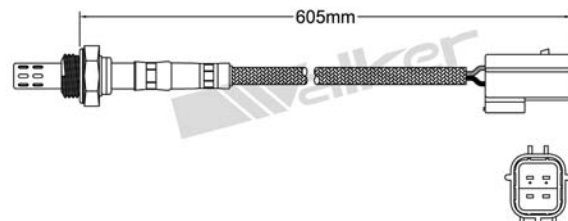
**250-24172**  
LEXUS 1992-1995  
*Heated Lambda Sensor*



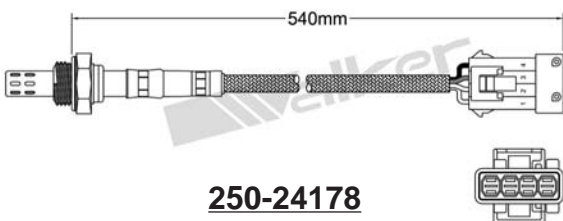
**250-24190**  
FIAT 1995-Up  
*Heated Lambda Sensor*



**250-24177**  
SAAB 1998  
VOLVO 1997-1998  
*Heated Lambda Sensor*



**250-24193**  
LAND ROVER 1998-Up  
*Heated Lambda Sensor*



**250-24178**  
CITROEN 1996-Up  
PEUGEOT 1998-Up  
PORSCHE 1995-2005  
*Heated Lambda Sensor*



**250-24194**  
SEAT 1995-1999  
VOLKSWAGEN 1991-2001  
*Heated Lambda Sensor*



**250-24198**  
MERCEDES BENZ 1995-2006  
*Heated Lambda Sensor*

**250-24226**  
LEXUS 2001-2005  
*Heated Lambda Sensor*

**250-24202**  
CHEVROLET 1999-2002  
GMC 1999-2001  
*Heated Lambda Sensor*

**250-24229**  
MITSUBISHI 1996-1999  
*Heated Lambda Sensor*

**250-24220**  
LEXUS 1992-1995  
*Heated Lambda Sensor*

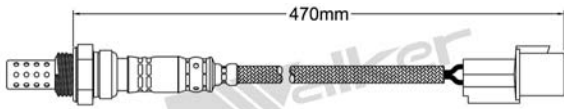
**250-24230**  
MITSUBISHI 1994-2001  
VOLVO 1998-2004  
*Heated Lambda Sensor*

**250-24224**  
MITSUBISHI 1995-2007  
*Heated Lambda Sensor*

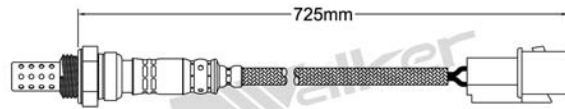
**250-24231**  
MITSUBISHI 1995-1999  
*Heated Lambda Sensor*

**250-24225**  
LEXUS 1998-2008  
TOYOTA 2002-2008  
*Heated Lambda Sensor*

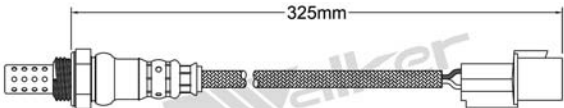
**250-24232**  
MITSUBISHI 2000-2003  
*Heated Lambda Sensor*



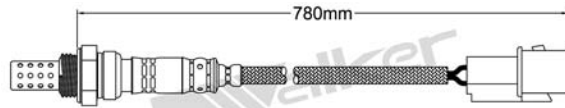
**250-24233**  
CHRYSLER 2001-2005  
MITSUBISHI 2001-2008  
*Heated Lambda Sensor*



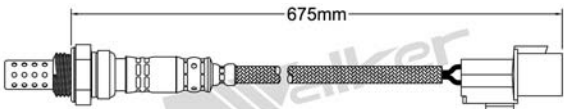
**250-24240**  
CHRYSLER 2001-2005  
MITSUBISHI 1997-Up  
*Heated Lambda Sensor*



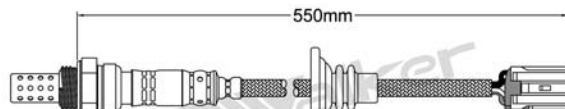
**250-24234**  
MITSUBISHI 1998-Up  
*Heated Lambda Sensor*



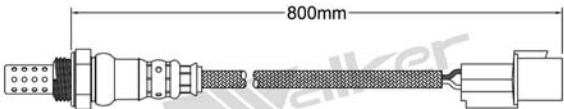
**250-24242**  
MITSUBISHI 2006-2008  
*Heated Lambda Sensor*



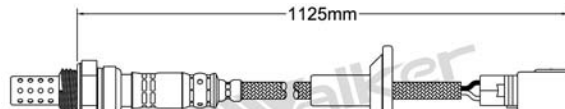
**250-24235**  
MITSUBISHI 1994-Up  
*Heated Lambda Sensor*



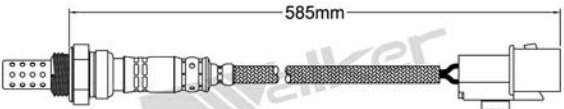
**250-24243**  
CHRYSLER 2001-2003  
MITSUBISHI 2001-2005  
*Heated Lambda Sensor*



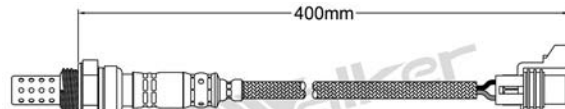
**250-24236**  
MITSUBISHI 2004-2008  
*Heated Lambda Sensor*



**250-24244**  
LEXUS 1997-2008  
TOYOTA 1997-2003  
*Heated Lambda Sensor*



**250-24239**  
MITSUBISHI 2004-2008  
*Heated Lambda Sensor*

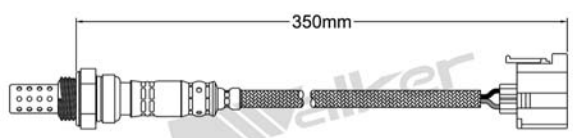
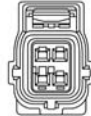
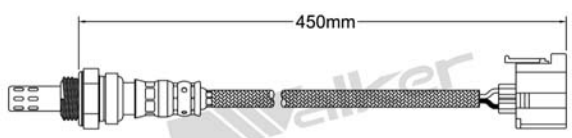
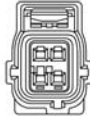
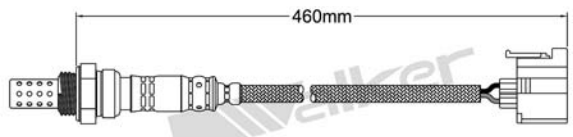
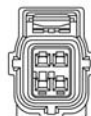
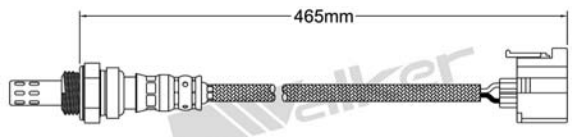
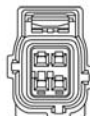
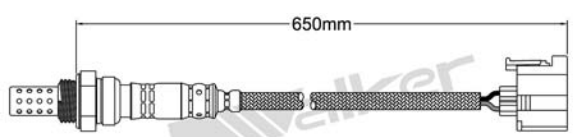
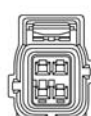
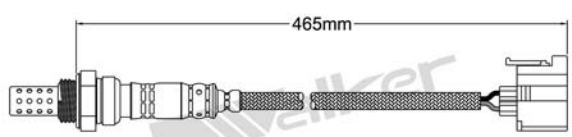
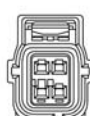
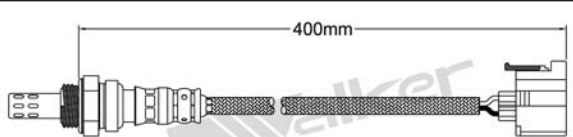
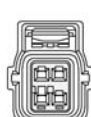
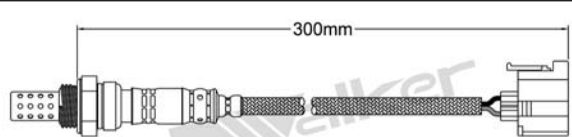
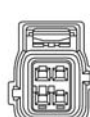
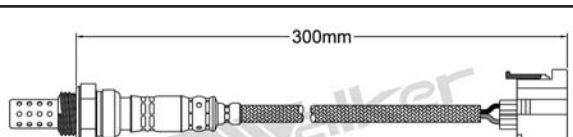
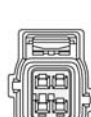
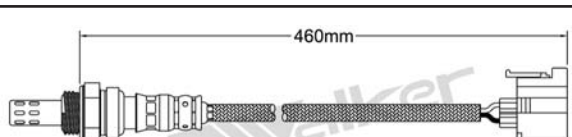
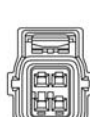


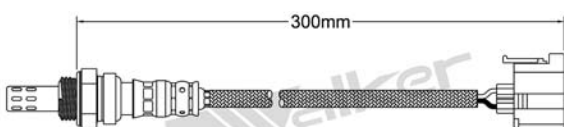
**250-24248**  
CADILLAC 2002  
CHEVROLET 2000-Up  
GMC 2000-2002  
*Heated Lambda Sensor*



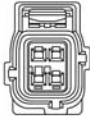
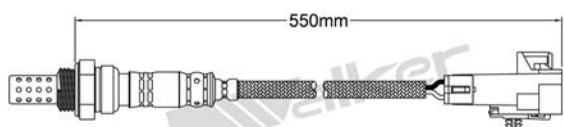





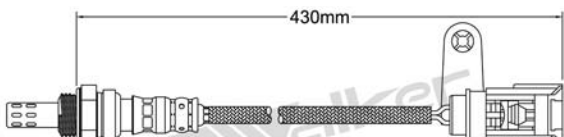
 <p><b>250-24249</b> JEEP 2001-2004 <i>Heated Lambda Sensor</i></p> 	 <p><b>250-24255</b> DODGE 2001-2003 JEEP 2001-2003 <i>Heated Lambda Sensor</i></p> 
 <p><b>250-24251</b> CHRYSLER 2005-2007 DODGE 2002-2007 <i>Heated Lambda Sensor</i></p> 	 <p><b>250-24256</b> JEEP 2001-2004 <i>Heated Lambda Sensor</i></p> 
 <p><b>250-24252</b> CHRYSLER 2005-2007 DODGE 2002-2007 JEEP 2005-2007 <i>Heated Lambda Sensor</i></p> 	 <p><b>250-24257</b> DODGE 2002-2002 JEEP 2001-2004 <i>Heated Lambda Sensor</i></p> 
 <p><b>250-24253</b> CHRYSLER 2003-Up DODGE 2001-2008 JEEP 2004-2008 <i>Heated Lambda Sensor</i></p> 	 <p><b>250-24258</b> DODGE 2001-2002 JEEP 2001-2004 <i>Heated Lambda Sensor</i></p> 
 <p><b>250-24254</b> JEEP 2001-2004 <i>Heated Lambda Sensor</i></p> 	 <p><b>250-24259</b> DODGE 2001-2003 JEEP 2001-2003 <i>Heated Lambda Sensor</i></p> 

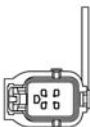
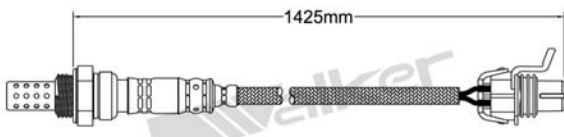
**250-24260**  
DODGE 2001-2003  
JEEP 2001-2004  
*Heated Lambda Sensor*

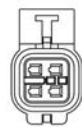
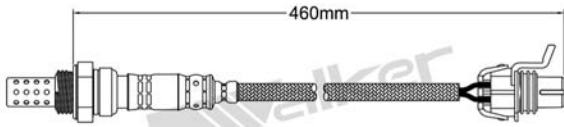
**250-24274**  
CHEVROLET 2001-Up  
GMC 2001-2002  
*Heated Lambda Sensor*

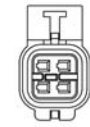
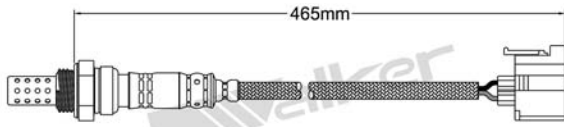
**250-24265**  
CHRYSLER 2001-2004  
*Heated Lambda Sensor*


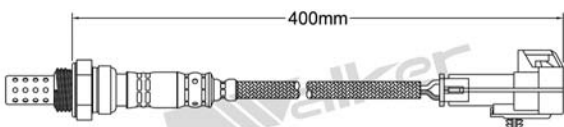
**250-24275**  
CHEVROLET 1996-2001  
*Heated Lambda Sensor*


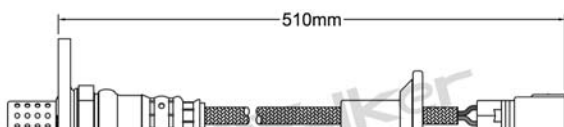
**250-24267**  
GMC 2000-2007  
HUMMER 2003-2006  
ISUZU 2003-2005  
SAAB 2005  
*Heated Lambda Sensor*


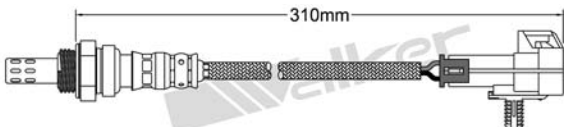
**250-24276**  
DODGE 2001-2002  
*Heated Lambda Sensor*


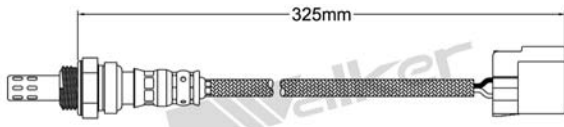
**250-24269**  
CHEVROLET 2000-2005  
GMC 2000-2004  
ISUZU 2002-2004  
*Heated Lambda Sensor*


**250-24277**  
LEXUS 1999-2003  
*Heated Lambda Sensor*

**250-24273**  
CHEVROLET 1998-2007  
GMC 1998-1999  
*Heated Lambda Sensor*

**250-24280**  
HYUNDAI 1993-1998  
*Heated Lambda Sensor*





**250-24283**  
FORD 1996-2002  
*Heated Lambda Sensor*

**250-24294**  
CHRYSLER 2001-2003  
*Heated Lambda Sensor*

**250-24284**  
NISSAN 2001  
*Heated Lambda Sensor*

**250-24295**  
SUBARU 1999-2005  
*Heated Lambda Sensor*

**250-24285**  
NISSAN 2000-2003  
*Heated Lambda Sensor*

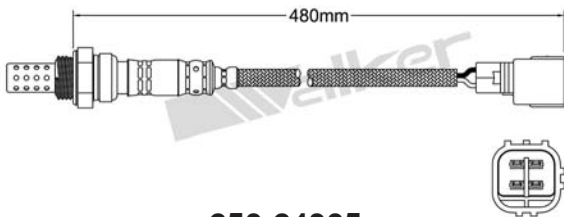
**250-24298**  
LEXUS 1994-2000  
TOYOTA 1994-Up  
*Heated Lambda Sensor*

**250-24286**  
NISSAN 2000-2001  
*Heated Lambda Sensor*

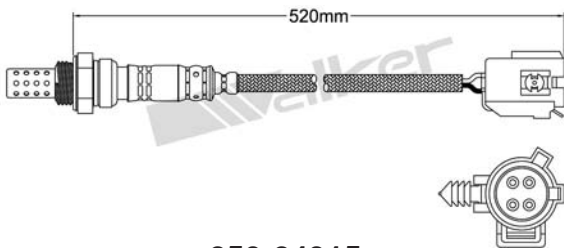
**250-24301**  
FORD 2003-2008  
LINCOLN 2007-2008  
MERCURY 2005-2008  
*Heated Lambda Sensor*

**250-24290**  
SUBARU 2000-2001  
*Heated Lambda Sensor*

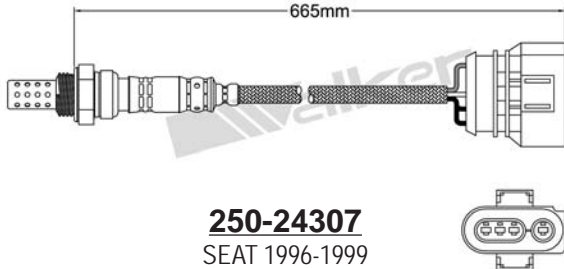
**250-24302**  
FORD 1999-2007  
LINCOLN 1998-2007  
MERCURY 1999-2008  
*Heated Lambda Sensor*


**250-24305**  
LEXUS 1994-2005  
TOYOTA 2008  
*Heated Lambda Sensor*




**250-24315**  
CHRYSLER 2001-2003  
*Heated Lambda Sensor*




**250-24307**  
SEAT 1996-1999  
VOLKSWAGEN 1992-1997  
*Heated Lambda Sensor*



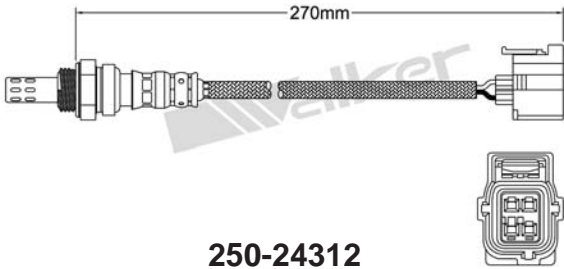
**250-24316**  
DODGE 2001-2002  
*Heated Lambda Sensor*




**250-24308**  
HONDA 2000-2005  
*Heated Lambda Sensor*



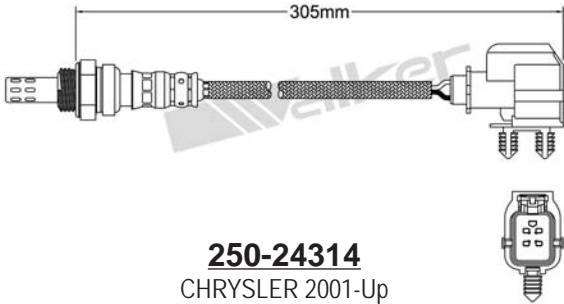
**250-24317**  
DODGE 2001-2008  
JEEP 2004  
*Heated Lambda Sensor*




**250-24312**  
JEEP 2002-2003  
*Heated Lambda Sensor*



**250-24319**  
DODGE 2001-2008  
JEEP 2004  
*Heated Lambda Sensor*



**250-24314**  
CHRYSLER 2001-Up  
*Heated Lambda Sensor*



**250-24321**  
CHEVROLET 2004  
*Heated Lambda Sensor*





**250-24332**  
CADILLAC 1999-2001  
*Heated Lambda Sensor*

**250-24338**  
CHEVROLET 1998-2000  
SUZUKI 1991-Up  
*Heated Lambda Sensor*

**250-24333**  
CHEVROLET 2001-2004  
SUZUKI 1998-Up  
*Heated Lambda Sensor*

**250-24339**  
GMC 2002-2006  
ISUZU 2003-2006  
SAAB 2005-2006  
*Heated Lambda Sensor*

**250-24334**  
CHEVROLET 2002-2005  
*Heated Lambda Sensor*

**250-24340**  
CHEVROLET 1996-2004  
GMC 1996-2003  
*Heated Lambda Sensor*

**250-24335**  
SUZUKI 1989-2001  
*Heated Lambda Sensor*

**250-24341**  
KIA 1996-2002  
*Heated Lambda Sensor*

**250-24336**  
CHEVROLET 2001-2003  
SUZUKI 1998-Up  
*Heated Lambda Sensor*

**250-24342**  
CADILLAC 1997-1998  
*Heated Lambda Sensor*



**250-24343**  
HONDA 1998-2004  
*Heated Lambda Sensor*

**250-24354**  
CHEVROLET 2005-2008  
CADILLAC 2006-2008  
*Heated Lambda Sensor*

**250-24345**  
DODGE 2001-2003  
JEEP 2001-2004  
*Heated Lambda Sensor*

**250-24355**  
GMC 2002-2008  
HUMMER 2007  
ISUZU 2003  
SUZUKI 2007-2008  
*Heated Lambda Sensor*

**250-24346**  
ACURA 2001-2006  
HONDA 2002-Up  
*Heated Lambda Sensor*

**250-24356**  
HYUNDAI 2000-2002  
*Heated Lambda Sensor*

**250-24349**  
BUICK 2006  
HYUNDAI 1999-Up  
KIA 2004-Up  
*Heated Lambda Sensor*

**250-24360**  
DAIHATSU 2000-Up  
LEXUS 1994-2008  
TOYOTA 1994-Up  
*Heated Lambda Sensor*

**250-24353**  
SAAB 1997-Up  
VOLVO 1999-2002  
*Heated Lambda Sensor*

**250-24368**  
HYUNDAI 1996-2006  
KIA 2001-2006  
*Heated Lambda Sensor*



**250-24372**  
CHEVROLET 2001-2004  
SUZUKI 1998-2005  
*Heated Lambda Sensor*

**250-24381**  
BMW 1994-2000  
*Heated Lambda Sensor*

**250-24373**  
SUBARU 1999-2004  
*Heated Lambda Sensor*

**250-24382**  
BMW 1988-2000  
*Heated Lambda Sensor*

**250-24374**  
CADILLAC 1997-1998  
*Heated Lambda Sensor*

**250-24383**  
HYUNDAI 1993-1998  
*Heated Lambda Sensor*

**250-24376**  
MAZDA 2003-2008  
*Heated Lambda Sensor*

**250-24384**  
KIA 2000-2005  
MAZDA 2003-2008  
*Heated Lambda Sensor*

**250-24380**  
BMW 1996-2000  
*Heated Lambda Sensor*

**250-24387**  
MERCEDES BENZ 1993-2002  
*Heated Lambda Sensor*



**250-24388**  
KIA 2000-2002  
*Heated Lambda Sensor*

**250-24393**  
AUDI 1998-2003  
*Heated Lambda Sensor*

**250-24389**  
ISUZU 1992-1995  
*Heated Lambda Sensor*

**250-24394**  
AUDI 2002-2004  
*Heated Lambda Sensor*

**250-24390**  
BMW 1998-Up  
*Heated Lambda Sensor*

**250-24395**  
AUDI 1998-2005  
SKODA 2002-Up  
VOLKSWAGEN 1998-2005  
*Heated Lambda Sensor*

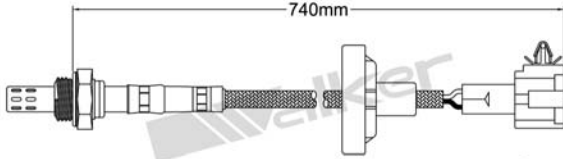
**250-24391**  
ACURA 2003-2006  
HONDA 2004-Up  
*Heated Lambda Sensor*

**250-24397**  
NISSAN 1996-1999  
*Heated Lambda Sensor*


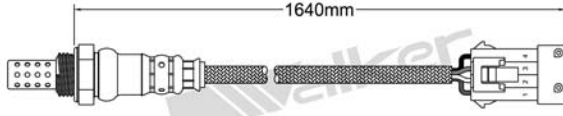
**250-24392**  
BMW 1998-Up  
LAND ROVER 2002-Up  
*Heated Lambda Sensor*

**250-24398**  
HONDA 2004-2006  
*Heated Lambda Sensor*


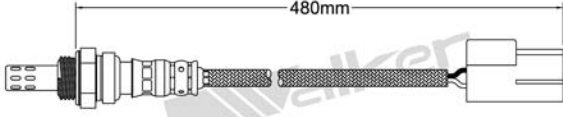



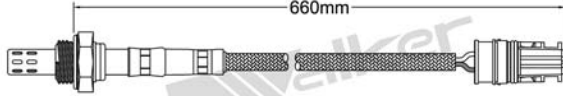
**250-24401**  
NISSAN 2001-2004  
*Heated Lambda Sensor*


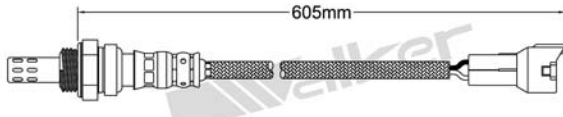
**250-24410**  
CITROEN 2000-Up  
PEUGEOT 1999-Up  
SAAB 1998-2003 / VOLVO 1998-1999  
*Heated Lambda Sensor*


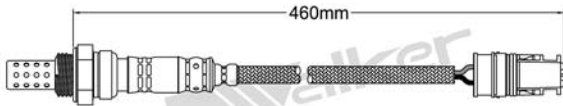
**250-24403**  
INFINITI 2002-2008  
NISSAN 2002-2008  
RENAULT 2002-Up  
*Heated Lambda Sensor*


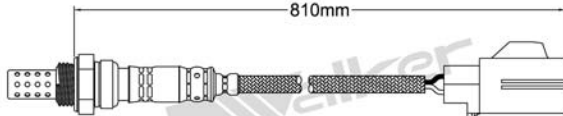
**250-24411**  
BMW 2000-Up  
MERCEDES BENZ 1997-2000  
*Heated Lambda Sensor*


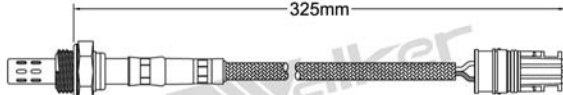
**250-24407**  
SUZUKI 1998-Up  
*Heated Lambda Sensor*


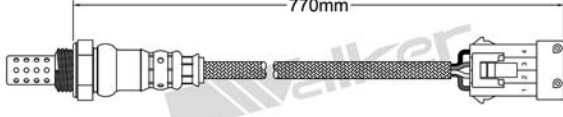
**250-24412**  
MERCEDES BENZ 1995-2003  
*Heated Lambda Sensor*


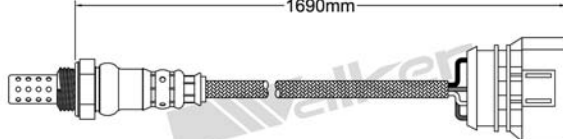
**250-24408**  
VOLVO 1997-2001  
*Heated Lambda Sensor*

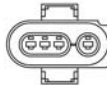
**250-24413**  
MERCEDES BENZ 1997-2002  
*Heated Lambda Sensor*

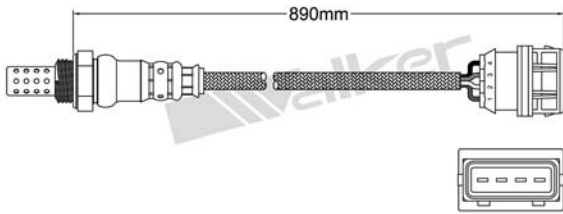



**250-24409**  
CITROEN 2001-Up  
FORD 2005-Up / PEUGEOT 2000-Up  
PORSCHÉ 2001-Up / RENAULT 2000-Up  
SAAB 1998-Up / VOLVO 1998-Up  
*Heated Lambda Sensor*

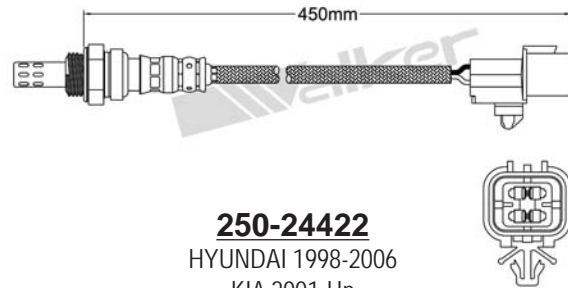



**250-24414**  
AUDI 1995-2005  
SKODA 2002-Up  
VOLKSWAGEN 2000-2005  
*Heated Lambda Sensor*

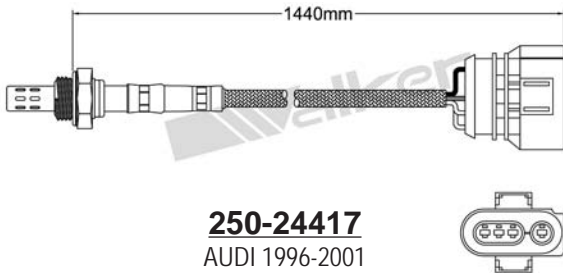




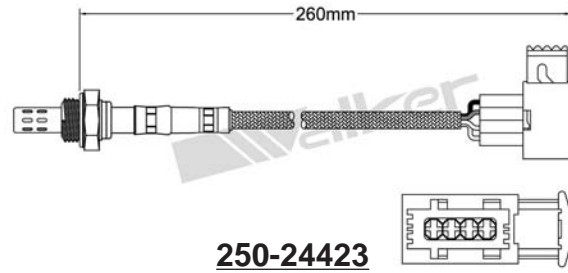
**250-24415**  
VOLVO 2000-2004  
*Heated Lambda Sensor*



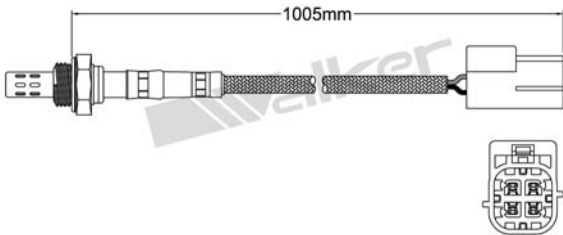
**250-24422**  
HYUNDAI 1998-2006  
KIA 2001-Up  
*Heated Lambda Sensor*



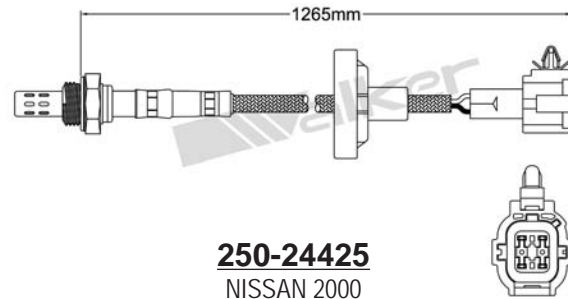
**250-24417**  
AUDI 1996-2001  
VOLKSWAGEN 1994-2000  
*Heated Lambda Sensor*



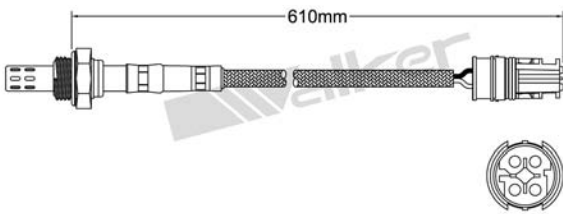
**250-24423**  
PORSCHE 1996-1999  
*Heated Lambda Sensor*



**250-24418**  
NISSAN 2002-2003  
*Heated Lambda Sensor*



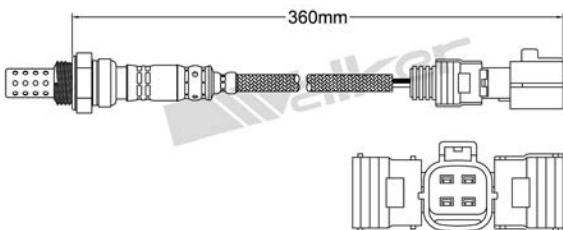
**250-24425**  
NISSAN 2000  
*Heated Lambda Sensor*



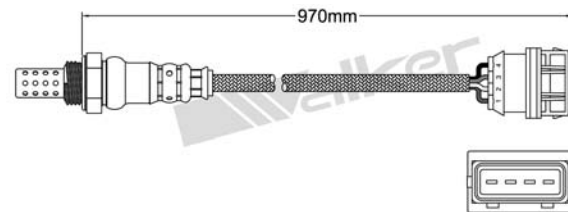
**250-24419**  
MERCEDES BENZ 1997-2002  
*Heated Lambda Sensor*



**250-24427**  
AUDI 1997-2006  
SEAT 1999-2005  
SKODA 1997-Up / VOLKSWAGEN 1997-Up  
*Heated Lambda Sensor*



**250-24420**  
LEXUS 2004-2008 / TOYOTA 2002-2002  
*Heated Lambda Sensor*



**250-24428**  
VOLVO 2000-2004  
*Heated Lambda Sensor*



**250-24429**  
ACURA 2002-2004  
HONDA 2001-2005  
*Heated Lambda Sensor*

**250-24435**  
NISSAN 2000  
*Heated Lambda Sensor*

**250-24430**  
AUDI 2000-2002  
*Heated Lambda Sensor*

**250-24437**  
NISSAN 2000-2004  
*Heated Lambda Sensor*

**250-24431**  
AUDI 1998-Up  
SEAT 1999-Up  
SKODA 1999-Up / VOLKSWAGEN 1998-Up  
*Heated Lambda Sensor*

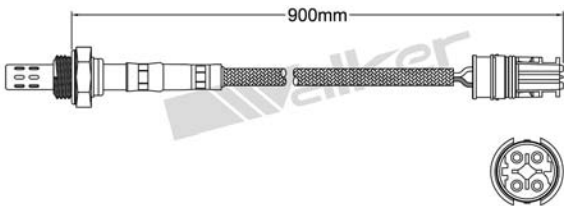
**250-24438**  
HYUNDAI 2000-Up  
KIA 2004-Up  
*Heated Lambda Sensor*

**250-24432**  
AUDI 1999-Up  
CHEVROLET 2003-2006  
NISSAN 2003-2005 / PORSCHE 2004-2006  
SKODA 2002-Up / VOLKSWAGEN 1999-Up  
*Heated Lambda Sensor*

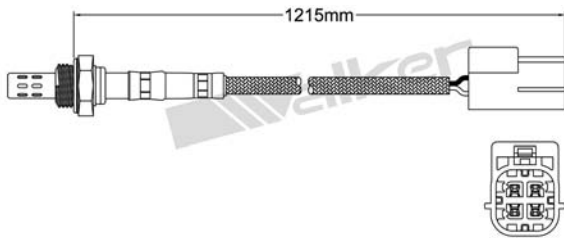
**250-24439**  
JAGUAR 1997-Up  
*Heated Lambda Sensor*

**250-24434**  
NISSAN 2000  
*Heated Lambda Sensor*

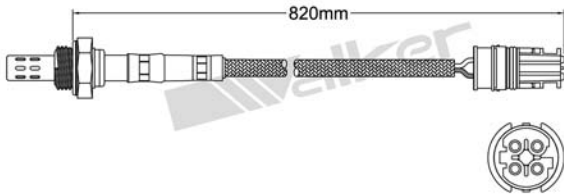
**250-24440**  
SUBARU 2000-Up  
*Heated Lambda Sensor*

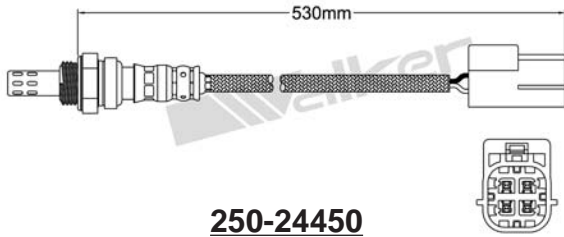
**250-24444**  
BMW 1997-Up  
*Heated Lambda Sensor*



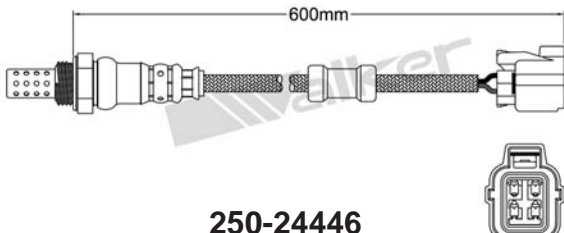
**250-24449**  
NISSAN 2000-2002  
*Heated Lambda Sensor*



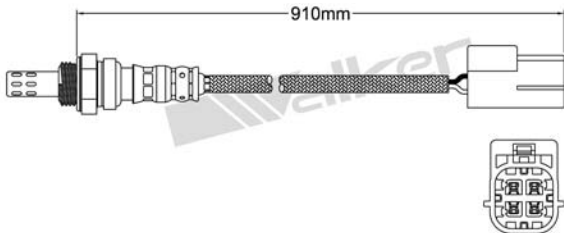
**250-24445**  
BMW 1997-Up  
*Heated Lambda Sensor*



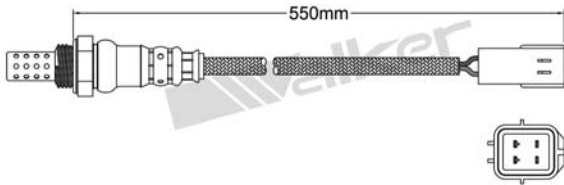
**250-24450**  
INFINITI 2002-2006  
NISSAN 2003-2004  
*Heated Lambda Sensor*



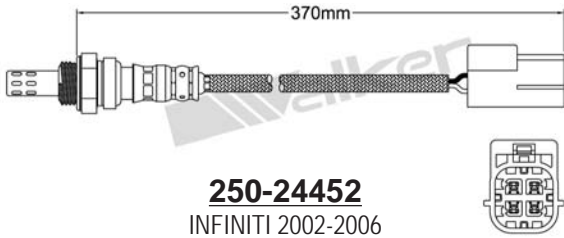
**250-24446**  
ACURA 2005-2006  
HONDA 2001-2005  
*Heated Lambda Sensor*



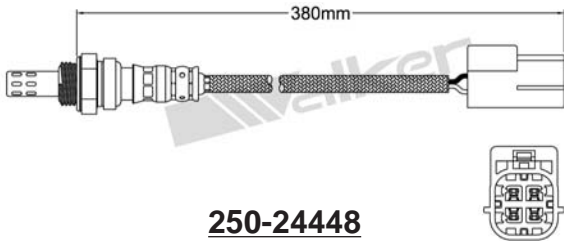
**250-24451**  
NISSAN 2003-2004  
*Heated Lambda Sensor*



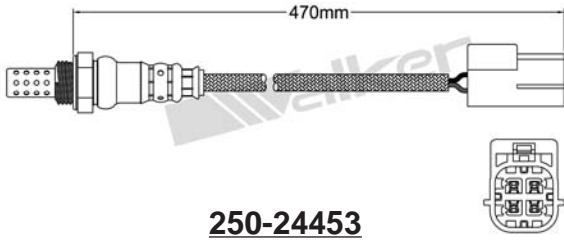
**250-24447**  
KIA 2002-2006  
*Heated Lambda Sensor*



**250-24452**  
INFINITI 2002-2006  
NISSAN 2001-Up  
RENAULT 2002-Up  
*Heated Lambda Sensor*

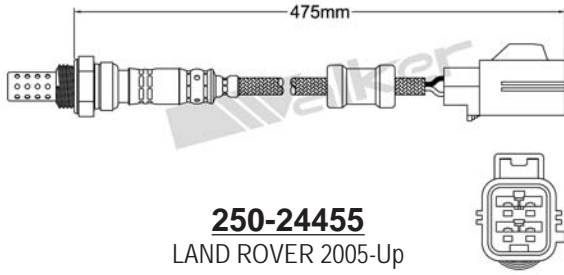


**250-24448**  
INFINITI 2002-2008  
NISSAN 2003-2008  
*Heated Lambda Sensor*

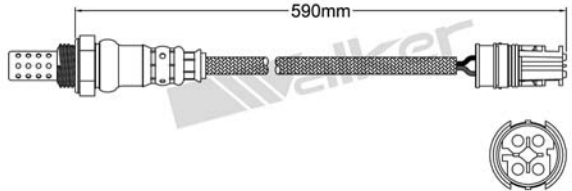


**250-24453**  
INFINITI 2004-2008  
NISSAN 2005-2008  
*Heated Lambda Sensor*

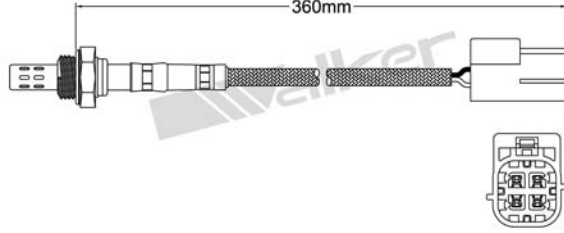


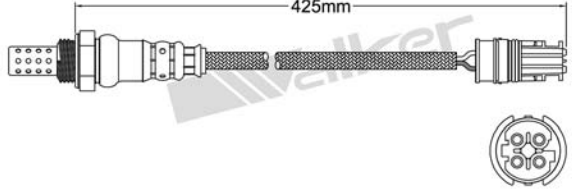
**250-24455**  
LAND ROVER 2005-Up  
VOLVO 1998-Up  
*Heated Lambda Sensor*



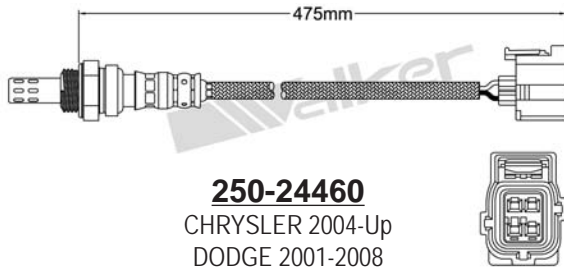
**250-24463**  
MERCEDES BENZ 1997-2002  
*Heated Lambda Sensor*



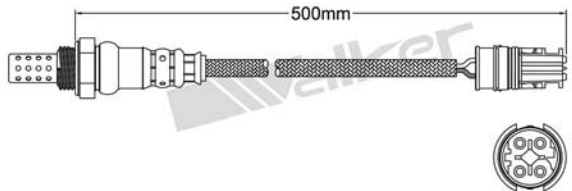
**250-24457**  
NISSAN 2002-2004  
*Heated Lambda Sensor*



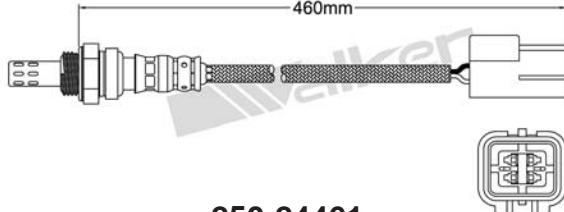
**250-24464**  
BMW 2005-Up  
MERCEDES BENZ 1997-2004  
*Heated Lambda Sensor*



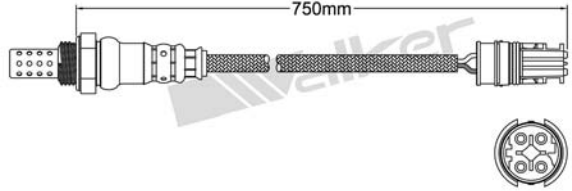
**250-24460**  
CHRYSLER 2004-Up  
DODGE 2001-2008  
JEEP 2004-2006  
*Heated Lambda Sensor*




**250-24465**  
BMW 2005-Up  
MERCEDES BENZ 2000-Up  
*Heated Lambda Sensor*



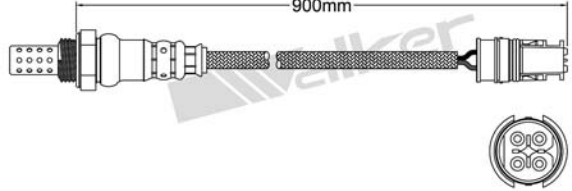
**250-24461**  
HYUNDAI 2003-Up  
KIA 2004-Up  
*Heated Lambda Sensor*



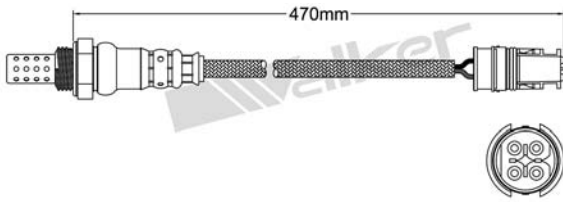
**250-24466**  
BMW 2004-Up  
MERCEDES BENZ 1997-Up  
*Heated Lambda Sensor*



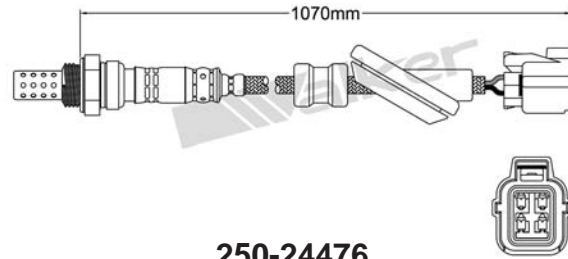
**250-24462**  
HYUNDAI 2006-Up  
KIA 2003-Up  
*Heated Lambda Sensor*



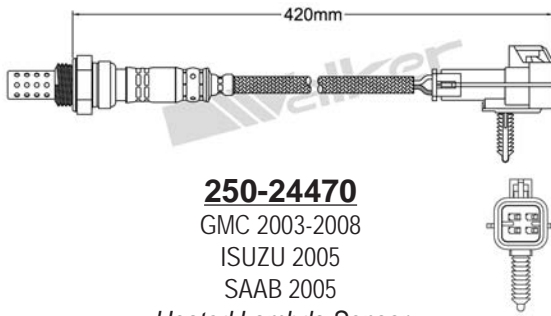
**250-24468**  
MERCEDES BENZ 1996-Up  
*Heated Lambda Sensor*



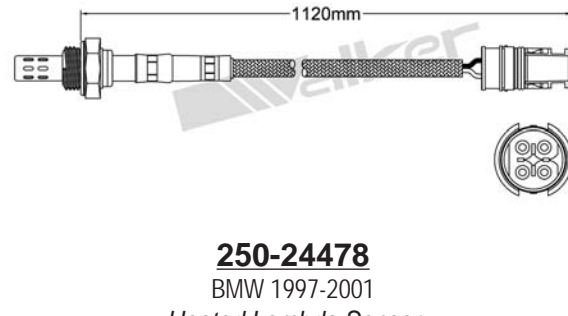
**250-24469**  
CHRYSLER 2003-Up  
MERCEDES BENZ 1997-Up  
*Heated Lambda Sensor*



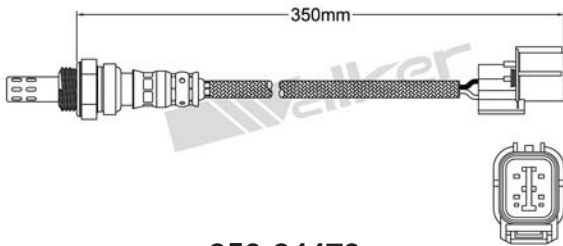
**250-24476**  
HONDA 2003-Up  
*Heated Lambda Sensor*



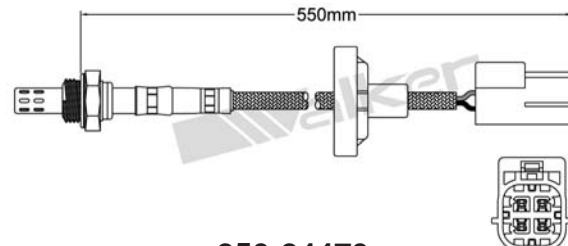
**250-24470**  
GMC 2003-2008  
ISUZU 2005  
SAAB 2005  
*Heated Lambda Sensor*



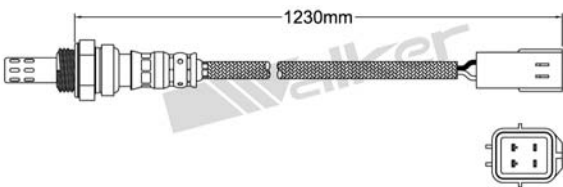
**250-24478**  
BMW 1997-2001  
*Heated Lambda Sensor*



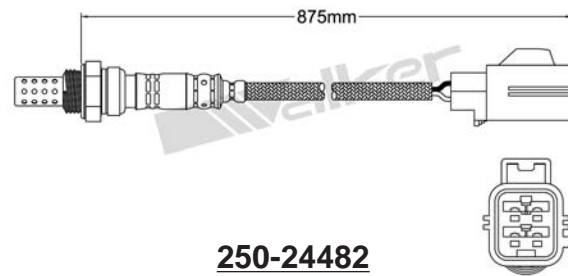
**250-24473**  
HONDA 1999-2002  
*Heated Lambda Sensor*



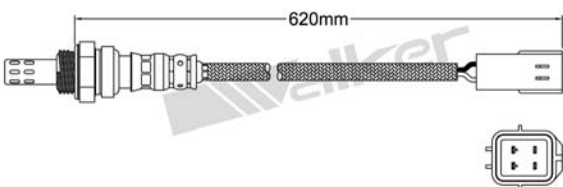
**250-24479**  
NISSAN 2000  
*Heated Lambda Sensor*



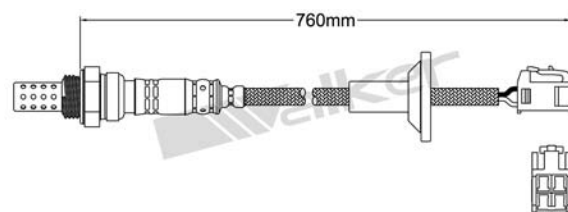
**250-24474**  
MAZDA 2003-2008  
*Heated Lambda Sensor*



**250-24482**  
VOLVO 2001-Up  
*Heated Lambda Sensor*



**250-24475**  
MAZDA 2003-2005  
*Heated Lambda Sensor*



**250-24483**  
LEXUS 2001-2008  
*Heated Lambda Sensor*



**250-24484**  
MITSUBISHI 2003-2005  
*Heated Lambda Sensor*

**250-24489**  
TOYOTA 2002-Up  
*Heated Lambda Sensor*

**250-24485**  
JAGUAR 1997-1999  
*Heated Lambda Sensor*

**250-24490**  
CHEVROLET 2004-Up  
ISUZU 2000-2003  
*Heated Lambda Sensor*

**250-24486**  
TOYOTA 2003-2008  
*Heated Lambda Sensor*

**250-24491**  
GMC 2001-2008  
HUMMER 2003-2008  
SAAB 2008  
*Heated Lambda Sensor*

**250-24487**  
SUBARU 2005-2008  
TOYOTA 2003-2004  
*Heated Lambda Sensor*

**250-24492**  
CADILLAC 2007-2008  
CHEVROLET 2003-2008  
GMC 2003-2008  
*Heated Lambda Sensor*

**250-24488**  
CHEVROLET 2002-2007  
GMC 2001-2007  
*Heated Lambda Sensor*

**250-24493**  
AUDI 2000-Up  
TOYOTA 2001-2003  
VOLKSWAGEN 1999-2006  
*Heated Lambda Sensor*



900mm

**250-24494**  
AUDI 2000-Up  
CHEVROLET 2001-2006  
PORSCHE 2003-2006 / SEAT 1999-Up  
SKODA 1999-2006 / VOLKSWAGEN 1999-2007  
*Heated Lambda Sensor*

620mm

**250-24499**  
INFINITI 1996  
*Heated Lambda Sensor*

465mm

**250-24495**  
AUDI 1999-2000 / SEAT 2002-Up  
SKODA 1999-Up / VOLKSWAGEN 2000-Up  
*Heated Lambda Sensor*

500mm

**250-24501**  
TOYOTA 1992-1995  
*Heated Lambda Sensor*

470mm

**250-24496**  
LAND ROVER 1994-2002  
*Heated Lambda Sensor*

1390mm

**250-24510**  
BMW 1992-1996  
*Heated Lambda Sensor*

420mm

**250-24497**  
CITROEN 1996-2005  
PEUGEOT 1998-Up  
SAAB 2002-2003  
*Heated Lambda Sensor*

530mm

**250-24512**  
LAND ROVER 1994-Up  
*Heated Lambda Sensor*

580mm

**250-24498**  
LAND ROVER 1994-2002  
*Heated Lambda Sensor*

400mm

**250-24516**  
BMW 1997-2000  
*Heated Lambda Sensor*





410mm

**250-24517**  
HYUNDAI 1998-2003  
KIA 2001-2003  
*Heated Lambda Sensor*

1170mm

**250-24530**  
ALFA ROMEO 1995-2006  
*Heated Lambda Sensor*

640mm

**250-24518**  
HYUNDAI 1998-2003  
KIA 2001-2003  
*Heated Lambda Sensor*

630mm

**250-24531**  
FIAT 1996-Up  
*Heated Lambda Sensor*

985mm

**250-24524**  
ALFA ROMEO 1996-2001  
FIAT 1998-2002  
*Heated Lambda Sensor*

500mm

**250-24533**  
AUDI 1997-1998  
SKODA 1997-Up  
VOLKSWAGEN 1998-2000  
*Heated Lambda Sensor*

1060mm

**250-24526**  
VOLVO 1995-2003  
*Heated Lambda Sensor*

650mm

**250-24534**  
AUDI 1996-2001  
SEAT 2000-2002  
SKODA 1996-Up  
*Heated Lambda Sensor*

1530mm

**250-24527**  
CITROEN 1997-2004  
PEUGEOT 2004-2005  
*Heated Lambda Sensor*

680mm

**250-24535**  
VOLVO 1999-2004  
*Heated Lambda Sensor*



400mm

**250-24536**  
CITROEN 1996-2003  
NISSAN 2003-2004  
PEUGEOT 1998-Up  
*Heated Lambda Sensor*

650mm

**250-24546**  
MINI 2006-Up  
*Heated Lambda Sensor*

620mm

**250-24538**  
LAND ROVER 1998-Up  
*Heated Lambda Sensor*

550mm

**250-24547**  
AUDI 1995-1997  
SEAT 1997-2002  
VOLKSWAGEN 1991-2001  
*Heated Lambda Sensor*

760mm

**250-24541**  
VOLVO 1999-2004  
*Heated Lambda Sensor*

280mm

**250-24549**  
RENAULT 1995-Up  
*Heated Lambda Sensor*

890mm

**250-24542**  
VOLVO 1997-2000  
*Heated Lambda Sensor*

735mm

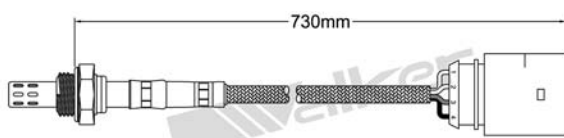
**250-24552**  
FORD 1996-2002  
*Heated Lambda Sensor*

1055mm

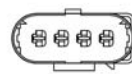

**250-24543**  
VOLVO 1997-2000  
*Heated Lambda Sensor*

1020mm

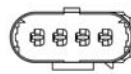
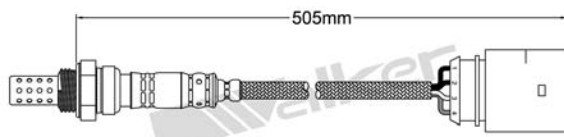
**250-24555**  
AUDI 1995-2005  
VOLKSWAGEN 1994-2000  
*Heated Lambda Sensor*

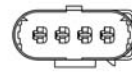

**250-24558**  
AUDI 1996-2003 / SEAT 1998-2003  
SKODA 1996-Up / VOLKSWAGEN 1997-2006  
*Heated Lambda Sensor*


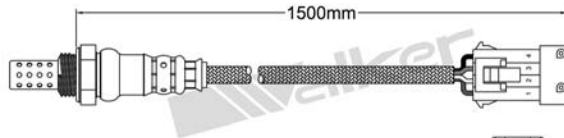
**250-24569**  
SKODA 2001-2004  
*Heated Lambda Sensor*



**250-24560**  
SKODA 1998-2004  
VOLKSWAGEN 1997-1999  
*Heated Lambda Sensor*


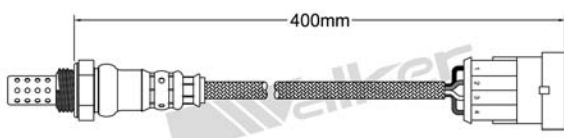
**250-24570**  
NISSAN 2000-Up  
*Heated Lambda Sensor*

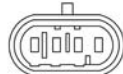
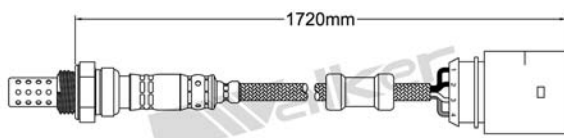
**250-24563**  
NISSAN 2003-2004  
*Heated Lambda Sensor*

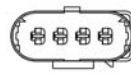

**250-24573**  
NISSAN 2000-Up  
*Heated Lambda Sensor*

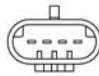
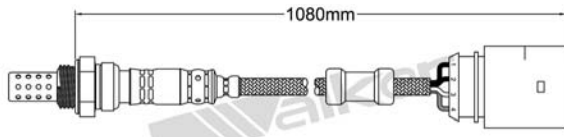
**250-24564**  
ALFA ROMEO 2001-Up  
FIAT 1998-Up  
*Heated Lambda Sensor*

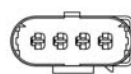
**250-24574**  
VOLKSWAGEN 1999-2001  
*Heated Lambda Sensor*

**250-24568**  
RENAULT 1998-Up  
*Heated Lambda Sensor*

**250-24577**  
AUDI 1999-Up  
SKODA 2002-Up  
VOLKSWAGEN 1999-2005  
*Heated Lambda Sensor*





**250-24578**  
HONDA 1999-2002  
*Heated Lambda Sensor*

**250-24590**  
NISSAN 1997-Up  
*Heated Lambda Sensor*

**250-24582**  
VOLKSWAGEN 1997-1999  
*Heated Lambda Sensor*

**250-24591**  
NISSAN 1998-2005  
*Heated Lambda Sensor*

**250-24584**  
HYUNDAI 1995-1996  
*Heated Lambda Sensor*

**250-24592**  
NISSAN 2005-Up  
*Heated Lambda Sensor*

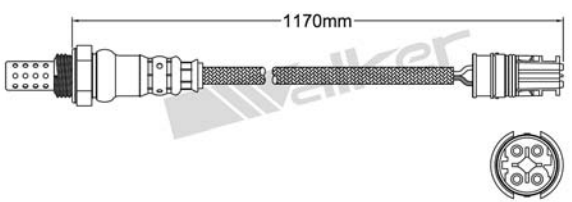
**250-24585**  
RENAULT 1998-Up  
*Heated Lambda Sensor*

**250-24593**  
HYUNDAI 1996-2002  
*Heated Lambda Sensor*

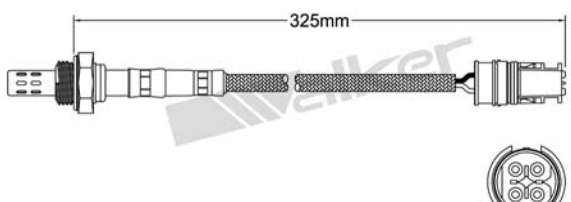
**250-24589**  
BMW 1995-Up  
*Heated Lambda Sensor*

**250-24594**  
SEAT 1998-1999  
VOLKSWAGEN 1994-2000  
*Heated Lambda Sensor*

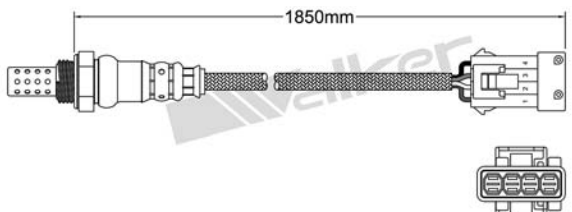


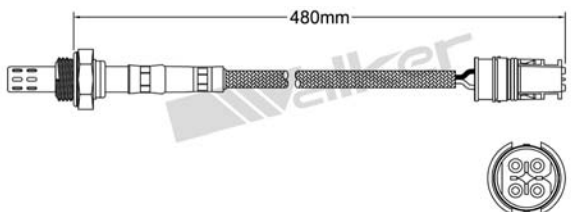
**250-24595**  
MERCEDES BENZ 1997-2002  
CITROEN 2001-2005  
*Heated Lambda Sensor*



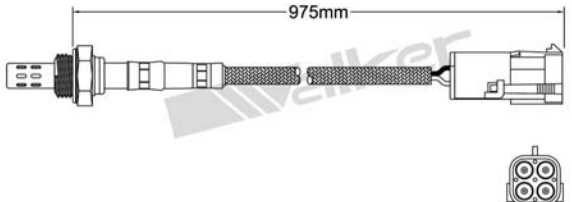
**250-24609**  
MERCEDES BENZ 1992-2005  
*Heated Lambda Sensor*



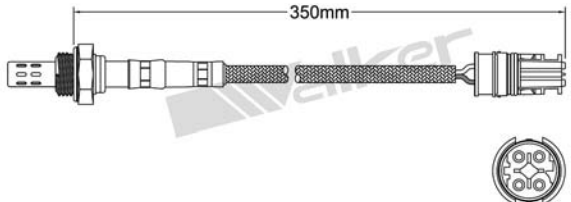
**250-24596**  
CITROEN 2001-2005  
PEUGEOT 2004-2005  
*Heated Lambda Sensor*



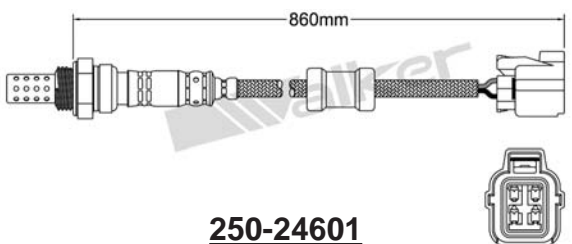
**250-24610**  
MERCEDES BENZ 1992-2006  
*Heated Lambda Sensor*



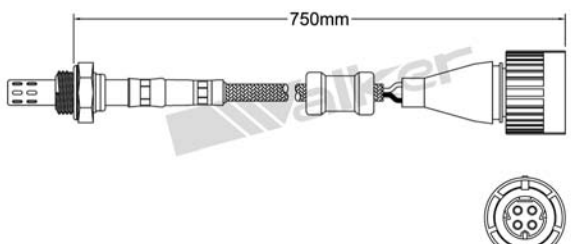
**250-24598**  
FERRARI 1996-Up  
ACURA 2001-2002  
*Heated Lambda Sensor*



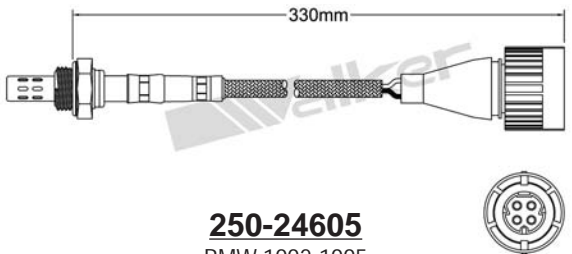
**250-24611**  
BMW 1994-Up  
LAND ROVER 2002-Up  
*Heated Lambda Sensor*



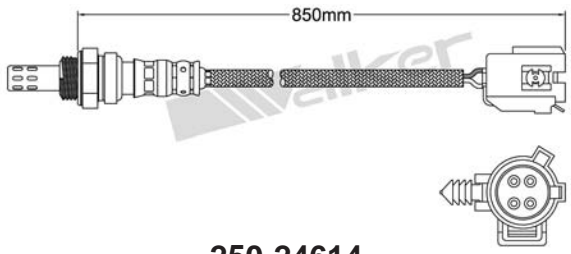
**250-24601**  
ACURA 2001-2002  
HONDA 1999-2004  
*Heated Lambda Sensor*



**250-24613**  
BMW 1988-2000  
*Heated Lambda Sensor*



**250-24605**  
BMW 1992-1995  
MERCEDES BENZ 1992-2005  
*Heated Lambda Sensor*



**250-24614**  
CHRYSLER 1994-1998  
*Heated Lambda Sensor*



**250-24616**  
CHEVROLET 1996-2002  
*Heated Lambda Sensor*

**250-24631**  
MITSUBISHI 2003-Up  
*Heated Lambda Sensor*

**250-24617**  
CHEVROLET 1997-2003  
*Heated Lambda Sensor*

**250-24632**  
NISSAN 1996-2004  
*Heated Lambda Sensor*

**250-24620**  
HONDA 1999-2001  
*Heated Lambda Sensor*

**250-24633**  
CHRYSLER 2001-2003  
MITSUBISHI 2001-2005  
*Heated Lambda Sensor*

**250-24621**  
HONDA 1993-1998  
*Heated Lambda Sensor*

**250-24638**  
BMW 2001-Up  
*Heated Lambda Sensor*

**250-24623**  
LEXUS 1998-2008  
*Heated Lambda Sensor*

**250-24641**  
MAZDA 2000-2005  
*Heated Lambda Sensor*



**250-24647**  
PORSCHE 1999-2003  
Heated Lambda Sensor

**250-24652**  
CHRYSLER 2004  
Heated Lambda Sensor

**250-24648**  
CADILLAC 2003-2004  
NISSAN 2000-Up  
SAAB 2005-Up  
Heated Lambda Sensor

**250-24653**  
MITSUBISHI 2003-2006  
Heated Lambda Sensor

**250-24649**  
GMC 2004-2007  
ISUZU 2006  
SAAB 2006-2007  
Heated Lambda Sensor

**250-24654**  
GMC 2004-2005  
ISUZU 2004-2005  
SAAB 2005  
Heated Lambda Sensor

**250-24650**  
PORSCHE 2004  
Heated Lambda Sensor

**250-24656**  
FORD 2003-2007  
Heated Lambda Sensor

**250-24651**  
FORD 2003-2008  
Heated Lambda Sensor

**250-24657**  
BMW 2003-2006  
Heated Lambda Sensor



**250-24658**  
KIA 2003-Up  
*Heated Lambda Sensor*

**250-24665**  
CITROEN 1998-Up  
PEUGEOT 1998-Up  
*Heated Lambda Sensor*

**250-24659**  
NISSAN 2003-2004  
*Heated Lambda Sensor*

**250-24666**  
CHRYSLER 1999-2000  
*Heated Lambda Sensor*

**250-24660**  
MAZDA 2004-2005  
*Heated Lambda Sensor*

**250-24667**  
CHRYSLER 2003  
NISSAN 2004-Up  
*Heated Lambda Sensor*

**250-24661**  
MAZDA 2004-2005  
*Heated Lambda Sensor*

**250-24669**  
AUDI 2004-Up  
*Heated Lambda Sensor*

**250-24662**  
MITSUBISHI 2004-Up  
*Heated Lambda Sensor*

**250-24670**  
AUDI 2004-Up  
*Heated Lambda Sensor*





**250-24671**  
AUDI 2004-Up / PORSCHE 2008  
SEAT 2008-Up / VOLKSWAGEN 2005-Up  
*Heated Lambda Sensor*

**250-24679**  
JEEP 2005-2006  
*Heated Lambda Sensor*

**250-24672**  
AUDI 2004-Up  
VOLKSWAGEN 2005-Up  
*Heated Lambda Sensor*

**250-24680**  
CHRYSLER 2004-Up  
DODGE 2005-2006  
JEEP 2005-2006  
*Heated Lambda Sensor*

**250-24674**  
MERCEDES BENZ 1993-1995  
*Heated Lambda Sensor*

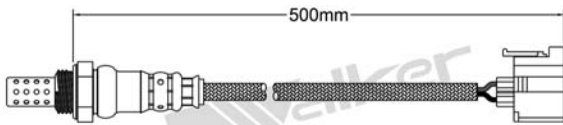
**250-24682**  
NISSAN 2000-2003  
PORSCHE 2006-2008  
*Heated Lambda Sensor*

**250-24675**  
CHRYSLER 2005-2008  
JEEP 2007-2008  
*Heated Lambda Sensor*

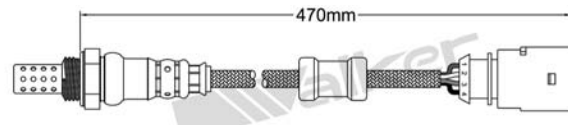
**250-24684**  
LEXUS 2006  
*Heated Lambda Sensor*

**250-24678**  
FORD 2003-2007  
*Heated Lambda Sensor*

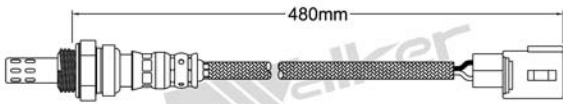
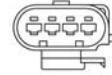
**250-24685**  
LEXUS 2006  
*Heated Lambda Sensor*



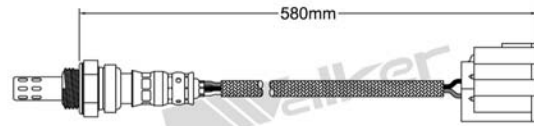
**250-24686**  
CHRYSLER 2007-2008  
DODGE 2007-2008  
JEEP 2007-2008 / MERCEDES BENZ 2004-Up  
*Heated Lambda Sensor*



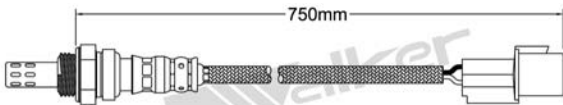
**250-24692**  
AUDI 2006-Up  
*Heated Lambda Sensor*



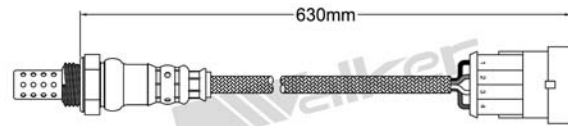
**250-24687**  
HYUNDAI 2005-Up  
KIA 2006-Up  
*Heated Lambda Sensor*



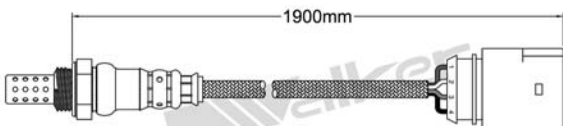
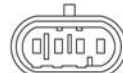
**250-24693**  
MAZDA 2006-2008  
*Heated Lambda Sensor*



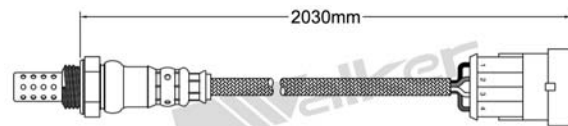
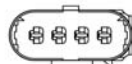
**250-24688**  
HYUNDAI 2005-Up  
KIA 2006-Up  
*Heated Lambda Sensor*



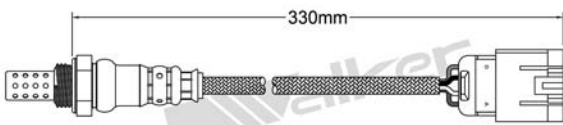
**250-24695**  
ALFA ROMEO 1998-Up  
FIAT 1998-Up  
*Heated Lambda Sensor*



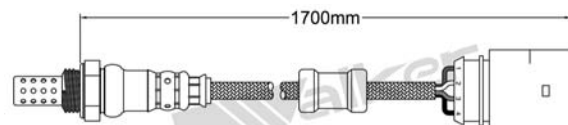
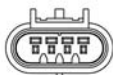
**250-24689**  
VOLKSWAGEN 1999-2001  
*Heated Lambda Sensor*



**250-24696**  
ALFA ROMEO 2000-Up  
*Heated Lambda Sensor*



**250-24690**  
HYUNDAI 2005-Up  
KIA 2007-2008  
*Heated Lambda Sensor*



**250-24697**  
VOLKSWAGEN 1999-2001  
*Heated Lambda Sensor*





500mm

**250-24698**  
GMC 2006-2008  
HUMMER 2006-2008  
ISUZU 2006-2008 / SAAB 2006-2008  
*Heated Lambda Sensor*

1190mm

**250-24705**  
ALFA ROMEO 1996-Up  
FIAT 2001-2003  
*Heated Lambda Sensor*

525mm

**250-24699**  
AUDI 2004-Up  
PORSCHE 2008 / SEAT 2005-Up  
SKODA 2004-Up / VOLKSWAGEN 2003-Up  
*Heated Lambda Sensor*

630mm

**250-24706**  
NISSAN 2000-2005  
*Heated Lambda Sensor*

450mm

**250-24701**  
FORD 1996-Up  
LINCOLN 2001-2008 / MAZDA 1999-2008  
MERCURY 1999-2008 / VOLVO 2006-Up  
*Heated Lambda Sensor*

750mm

**250-24707**  
HYUNDAI 2005-Up  
KIA 2007-2008  
*Heated Lambda Sensor*

430mm

**250-24703**  
GMC 2006-2008  
HUMMER 2007-2008  
ISUZU 2006 / SAAB 2006-2008  
*Heated Lambda Sensor*

400mm

**250-24708**  
GMC 2006-2008  
HUMMER 2007-2008  
ISUZU 2007-2008 / SAAB 2008  
*Heated Lambda Sensor*

420mm

**250-24704**  
GMC 2006-2008  
HUMMER 2008  
ISUZU 2006 / SAAB 2006-2008  
*Heated Lambda Sensor*

900mm

**250-24709**  
MITSUBISHI 2006  
*Heated Lambda Sensor*



**250-24711**  
VOLVO 2006-Up  
*Heated Lambda Sensor*

**250-24718**  
MAZDA 2006-2008  
*Heated Lambda Sensor*

**250-24713**  
BMW 2004-Up  
*Heated Lambda Sensor*

**250-24719**  
AUDI 1995-2005  
MERCURY 1998  
SEAT 1993-1999  
*Heated Lambda Sensor*

**250-24714**  
LAND ROVER 2005-Up  
*Heated Lambda Sensor*

**250-24721**  
FIAT 1997-2001  
*Heated Lambda Sensor*

**250-24715**  
MAZDA 2003-2005  
*Heated Lambda Sensor*

**250-24722**  
CADILLAC 2006-2008  
*Heated Lambda Sensor*

**250-24717**  
VOLKSWAGEN 2007-Up  
*Heated Lambda Sensor*

**250-24724**  
MAZDA 2006-2008  
*Heated Lambda Sensor*





**250-24725**  
MAZDA 2005-Up  
*Heated Lambda Sensor*

**250-24731**  
NISSAN 2000-2004  
*Heated Lambda Sensor*

**250-24726**  
VOLKSWAGEN 2007-Up  
*Heated Lambda Sensor*

**250-24733**  
SAAB 2004-Up  
*Heated Lambda Sensor*

**250-24728**  
CADILLAC 2006-2008  
CHEVROLET 2008  
GMC 2007-2008  
*Heated Lambda Sensor*

**250-24734**  
AUDI 1996-2006 / SEAT 1999-Up  
SKODA 1999-Up / VOLKSWAGEN 1998-Up  
*Heated Lambda Sensor*

**250-24729**  
CADILLAC 2006-2008  
*Heated Lambda Sensor*

**250-24736**  
CADILLAC 2008  
CHEVROLET 2008  
GMC 2007-2008 / HUMMER 2006  
*Heated Lambda Sensor*

**250-24730**  
JAGUAR 1999-Up  
*Heated Lambda Sensor*

**250-24739**  
HYUNDAI 2007-2008  
KIA 2007-2008  
*Heated Lambda Sensor*



**250-24740**  
KIA 2007-2008  
*Heated Lambda Sensor*

**250-24745**  
CHEVROLET 2008  
*Heated Lambda Sensor*

**250-24741**  
INFINITI 2007-2008  
NISSAN 2007-Up  
*Heated Lambda Sensor*

**250-24746**  
CADILLAC 2008  
*Heated Lambda Sensor*

**250-24742**  
MITSUBISHI 2007-2008  
*Heated Lambda Sensor*

**250-24748**  
CITROEN 1998-Up / FERRARI 1999-2004  
PEUGEOT 2000-Up / VOLVO 2003-2004  
*Heated Lambda Sensor*

**250-24743**  
CADILLAC 2006  
*Heated Lambda Sensor*

**250-24749**  
FORD 1998-2008 / JAGUAR 1999-Up  
LINCOLN 1998-2004 / MERCURY 1998-2008  
*Heated Lambda Sensor*

**250-24744**  
VOLVO 2007-2008  
*Heated Lambda Sensor*

**250-24750**  
KIA 2000-2002  
*Heated Lambda Sensor*



**250-24751**  
MITSUBISHI 2008  
Heated Lambda Sensor

**250-24757**  
HONDA 2002-Up  
Heated Lambda Sensor

**250-24752**  
MERCEDES BENZ 2006-Up  
Heated Lambda Sensor

**250-24758**  
HONDA 1999-2002  
Heated Lambda Sensor

**250-24753**  
AUDI 2007-Up  
Heated Lambda Sensor

**250-24759**  
HONDA 2002-2002  
Heated Lambda Sensor

**250-24755**  
CHEVROLET 2007-Up  
Heated Lambda Sensor

**250-24760**  
HONDA 2002-Up  
Heated Lambda Sensor

**250-24756**  
HONDA 2001-2005  
Heated Lambda Sensor

**250-24761**  
HONDA 2002-2002  
Heated Lambda Sensor



**250-24762**  
CHEVROLET 2007-Up  
*Heated Lambda Sensor*

**250-24768**  
KIA 2004-2006  
*Heated Lambda Sensor*

**250-24763**  
HONDA 2004  
*Heated Lambda Sensor*

**250-24770**  
SUZUKI 2008  
*Heated Lambda Sensor*

**250-24764**  
HONDA 2005-Up  
*Heated Lambda Sensor*

**250-24771**  
NISSAN 2007-2008  
*Heated Lambda Sensor*

**250-24766**  
HONDA 1998-2002  
*Heated Lambda Sensor*

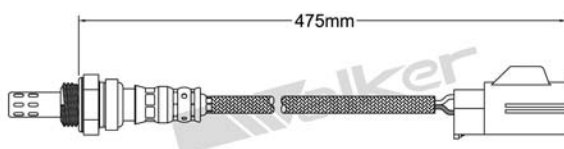

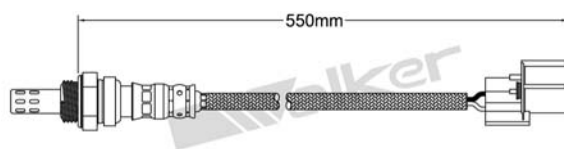

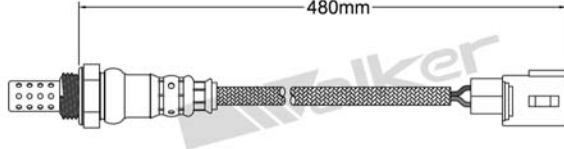

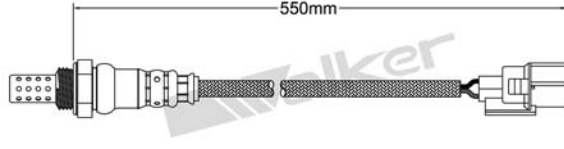

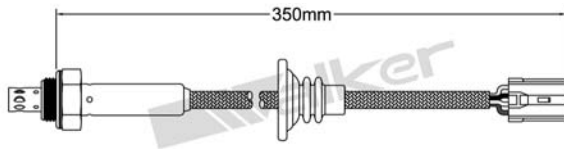

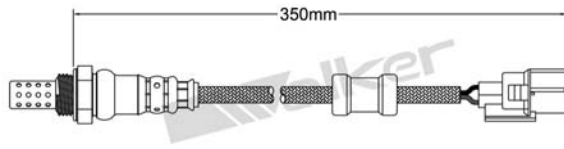



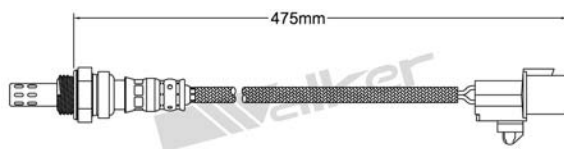

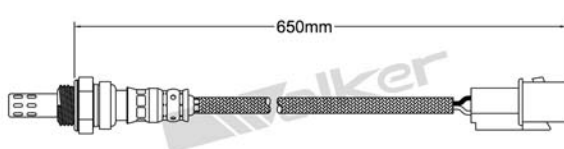

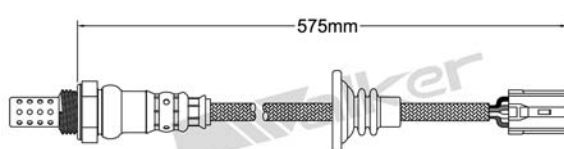

**250-24773**  
CADILLAC 2005-2008  
CHEVROLET 2008  
SUZUKI 2007-2008  
*Heated Lambda Sensor*

**250-24767**  
AUDI 2006-Up  
*Heated Lambda Sensor*

**250-24775**  
MINI 2001-Up  
*Heated Lambda Sensor*





 <p><b>250-24776</b> FORD 2008 <i>Heated Lambda Sensor</i></p> 	 <p><b>250-24784</b> HONDA 1999-2005 <i>Heated Lambda Sensor</i></p> 
 <p><b>250-24777</b> TOYOTA 2003-2004 <i>Heated Lambda Sensor</i></p> 	 <p><b>250-24785</b> ACURA 2007-2008 HONDA 2008 <i>Heated Lambda Sensor</i></p> 
 <p><b>250-24778</b> VOLVO 1995-2004 <i>Heated Lambda Sensor</i></p> 	 <p><b>250-24786</b> HONDA 2006-Up <i>Heated Lambda Sensor</i></p> 
 <p><b>250-24781</b> RENAULT 1998-2005 <i>Heated Lambda Sensor</i></p> 	 <p><b>250-24789</b> CHEVROLET 2005-Up <i>Heated Lambda Sensor</i></p> 
 <p><b>250-24783</b> HYUNDAI 2003-Up KIA 2004-2008 <i>Heated Lambda Sensor</i></p> 	 <p><b>250-24790</b> VOLVO 2001-2004 <i>Heated Lambda Sensor</i></p> 



**250-24792**  
MERCEDES BENZ 1993-1998  
*Heated Lambda Sensor*

**250-24803**  
NISSAN 1998-2002  
*Heated Lambda Sensor*

**250-24793**  
FORD 2003-Up  
*Heated Lambda Sensor*

**250-24804**  
LAND ROVER 1994-2002  
*Heated Lambda Sensor*

**250-24794**  
NISSAN 2007-2008  
*Heated Lambda Sensor*

**250-24806**  
NISSAN 1995-2005  
*Heated Lambda Sensor*

**250-24797**  
SEAT 2004-Up  
SKODA 2007-Up  
VOLKSWAGEN 2001-2007  
*Heated Lambda Sensor*

**250-24810**  
BMW 1995-2000  
*Heated Lambda Sensor*

**250-24798**  
HONDA 2006-Up  
*Heated Lambda Sensor*

**250-24814**  
VOLVO 1997-1999  
*Heated Lambda Sensor*



**250-24817**  
JAGUAR 1995-1997  
Heated Lambda Sensor

**250-24830**  
RENAULT 1996-2000  
Heated Lambda Sensor

**250-24818**  
FIAT 1995-Up  
Heated Lambda Sensor

**250-24836**  
GMC 2003-2005  
Heated Lambda Sensor

**250-24820**  
FIAT 1993-2000  
Heated Lambda Sensor

**250-24837**  
LEXUS 2004-2008  
Heated Lambda Sensor

**250-24823**  
VOLKSWAGEN 1991-1997  
Heated Lambda Sensor

**250-24839**  
LEXUS 1995-2005  
Heated Lambda Sensor

**250-24829**  
RENAULT 1995-2000  
Heated Lambda Sensor

**250-24840**  
LEXUS 1998-2005  
Heated Lambda Sensor



350mm

**250-24841**  
CITROEN 2000-Up  
PEUGEOT 2002-Up  
RENAULT 2002-2005 / SAAB 2005-Up  
*Heated Lambda Sensor*

900mm

**250-25003**  
AUDI 1998-2006  
BMW 2001-2007  
MERCEDES BENZ 2002-Up  
VOLKSWAGEN 1999-Up  
*Linear Wideband Sensor*

725mm

**250-24842**  
SAAB 2002-Up  
*Heated Lambda Sensor*

1450mm

**250-25004**  
AUDI 1998-Up  
BMW 2003-2007  
CHEVROLET 2003-2006  
VOLKSWAGEN 1998-Up  
*Linear Wideband Sensor*

1225mm

**250-24843**  
VOLKSWAGEN 1998-2006  
*Heated Lambda Sensor*

600mm

**250-25005**  
CADILLAC 2004-2006  
FORD 2005-Up  
NISSAN 2004-2008  
VOLVO 1998-Up  
*Linear Wideband Sensor*

425mm

**250-25001**  
ACURA 2003-2006  
HONDA 2005-Up  
*Linear Wideband Sensor*

1200mm

**250-25006**  
CADILLAC 2006  
VOLVO 1998-Up  
*Linear Wideband Sensor*

600mm

**250-25002**  
AUDI 2001-Up  
BMW 2001-Up  
BUICK 2006 / SEAT 1999-Up  
SKODA 1999-Up / VOLKSWAGEN 1998-2006  
*Linear Wideband Sensor*

850mm

**250-25007**  
PORSCHE 2004-2006  
VOLKSWAGEN 2000-Up  
*Linear Wideband Sensor*





1500mm

**250-25008**  
CHEVROLET 2003-2006  
INFINITI 2007-2008  
PORSCHE 2003-2006  
SEAT 2003-Up / VOLKSWAGEN 2000-Up  
*Linear Wideband Sensor*

600mm

**250-25017**  
AUDI 2004-Up  
*Linear Wideband Sensor*

780mm

**250-25009**  
VOLVO 1998-2005  
*Linear Wideband Sensor*

1525mm

**250-25018**  
BMW 2005-Up  
PORSCHE 2008  
*Linear Wideband Sensor*

565mm

**250-25010**  
CADILLAC 1999-2001  
*Linear Wideband Sensor*

525mm

**250-25019**  
AUDI 2004-Up  
*Linear Wideband Sensor*

1310mm

**250-25011**  
VOLVO 1999-2005  
*Linear Wideband Sensor*

1775mm

**250-25020**  
AUDI 2004-2007  
*Linear Wideband Sensor*

850mm

**250-25015**  
AUDI 2006-Up  
PORSCHE 2006-2008  
SEAT 2005-Up / VOLKSWAGEN 2005-2007  
*Linear Wideband Sensor*

1900mm

**250-25021**  
AUDI 2004-2007  
*Linear Wideband Sensor*



475mm

**250-25025**  
AUDI 2008-Up  
PORSCHE 2008  
VOLKSWAGEN 2006-Up  
*Linear Wideband Sensor*

1450mm

**250-25031**  
AUDI 2004-Up  
PORSCHE 2008  
*Linear Wideband Sensor*

900mm

**250-25026**  
AUDI 2004-Up  
CHEVROLET 2007-Up  
VOLKSWAGEN 2005-Up  
*Linear Wideband Sensor*

1275mm

**250-25032**  
AUDI 2006-2007  
*Linear Wideband Sensor*

925mm

**250-25027**  
AUDI 2005-Up  
*Linear Wideband Sensor*

900mm

**250-25033**  
AUDI 2003-2006  
VOLKSWAGEN 2004-Up  
*Linear Wideband Sensor*

500mm

**250-25029**  
MAZDA 2006-2008  
*Linear Wideband Sensor*

400mm

**250-25034**  
AUDI 2004-Up  
CHEVROLET 2008  
DODGE 2007-2008 / HYUNDAI 2004-Up  
KIA 2005-Up / VOLKSWAGEN 2004-Up  
*Linear Wideband Sensor*

475mm

**250-25030**  
AUDI 2006-Up  
*Linear Wideband Sensor*

725mm

**250-25035**  
AUDI 2004-Up / CHEVROLET 2007-Up  
PORSCHE 2008 / RENAULT 2003-Up  
SKODA 2005-Up / VOLKSWAGEN 2004-Up  
*Linear Wideband Sensor*



**250-25036**  
SKODA 2005-Up  
VOLKSWAGEN 2001-Up  
*Linear Wideband Sensor*

**250-25041**  
AUDI 2006-2007  
*Linear Wideband Sensor*

**250-25037**  
VOLKSWAGEN 2004-Up  
*Linear Wideband Sensor*

**250-25042**  
BMW 2003-Up  
MERCEDES BENZ 2002-Up  
MINI 2006-Up  
*Linear Wideband Sensor*

**250-25038**  
AUDI 2006-Up  
CADILLAC 2005-2008  
*Linear Wideband Sensor*

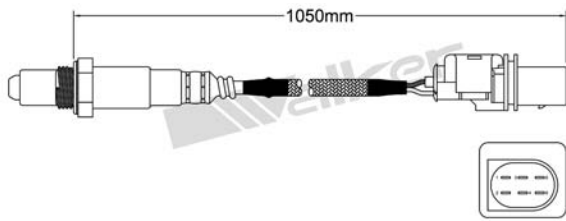
**250-25043**  
BMW 2003-Up  
CHRYSLER 2002-Up  
MERCEDES BENZ 2004-Up  
*Linear Wideband Sensor*

**250-25039**  
AUDI 2005-Up  
*Linear Wideband Sensor*

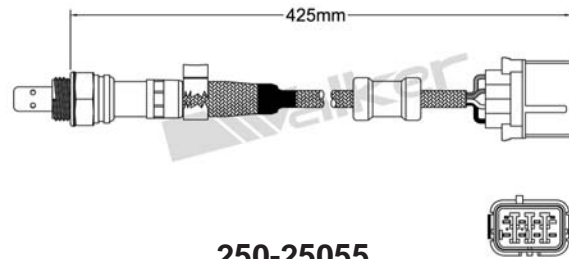
**250-25044**  
BMW 2004-Up  
MINI 2006-Up  
*Linear Wideband Sensor*

**250-25040**  
VOLKSWAGEN 2005-Up  
*Linear Wideband Sensor*

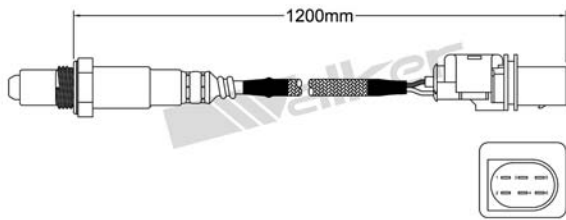
**250-25045**  
MERCEDES BENZ 2002-Up  
*Linear Wideband Sensor*



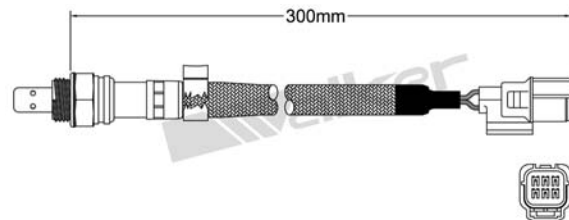
**250-25046**  
BMW 2005-Up  
*Linear Wideband Sensor*



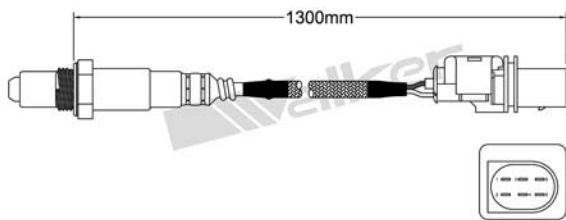
**250-25055**  
HONDA 1991-1995  
*Linear Wideband Sensor*



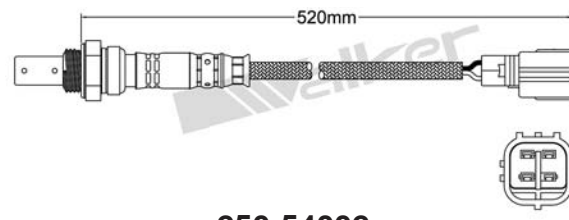
**250-25047**  
BMW 2007-Up  
*Linear Wideband Sensor*



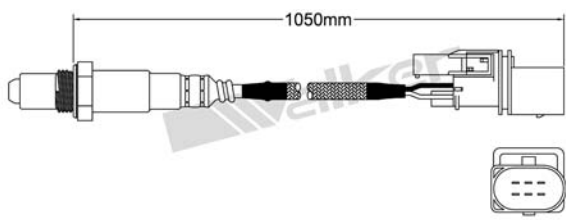
**250-25056**  
HONDA 2007-2008  
*Linear Wideband Sensor*



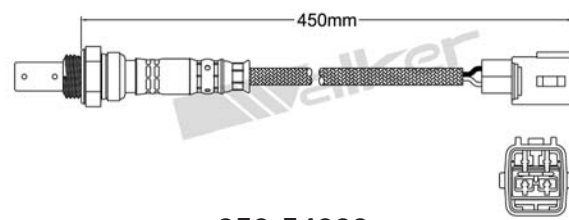
**250-25048**  
BMW 2008  
*Linear Wideband Sensor*



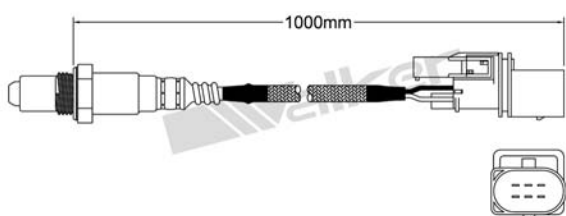
**250-54002**  
SUBARU 2001-2004  
TOYOTA 2000-2003  
*Air/Fuel Ratio Sensor*



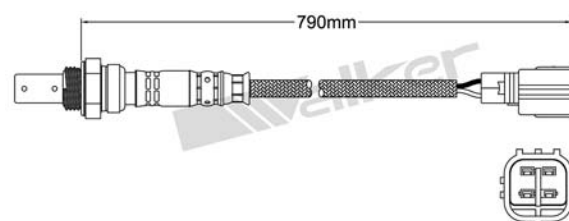
**250-25053**  
VOLKSWAGEN 2002-2004  
*Linear Wideband Sensor*



**250-54003**  
LEXUS 2000-2001  
TOYOTA 2000-2004  
*Air/Fuel Ratio Sensor*



**250-25054**  
VOLKSWAGEN 2002-2004  
*Linear Wideband Sensor*



**250-54004**  
SUBARU 2000-2005  
*Air/Fuel Ratio Sensor*





**250-54005**  
HONDA 1998-2001  
*Air/Fuel Ratio Sensor*

**250-54010**  
VOLVO 1998-2000  
*Air/Fuel Ratio Sensor*

**250-54006**  
LEXUS 2005-2008  
TOYOTA 2008-Up  
*Air/Fuel Ratio Sensor*

**250-54011**  
SUBARU 2003-2005  
*Air/Fuel Ratio Sensor*

**250-54007**  
LEXUS 2002-2008  
TOYOTA 2002-Up  
*Air/Fuel Ratio Sensor*

**250-54013**  
ACURA 2002-2004  
HONDA 2004  
*Air/Fuel Ratio Sensor*

**250-54008**  
LEXUS 2002-2003  
SUBARU 2005-2008  
TOYOTA 2002-2006  
*Air/Fuel Ratio Sensor*

**250-54014**  
ACURA 2002-2004  
*Air/Fuel Ratio Sensor*

**250-54009**  
VOLVO 2000-2003  
*Air/Fuel Ratio Sensor*

**250-54015**  
SUBARU 2000-2001  
*Air/Fuel Ratio Sensor*



**250-54018**  
JAGUAR 1999-Up  
*Air/Fuel Ratio Sensor*

**250-54027**  
SUBARU 2004-2008  
*Air/Fuel Ratio Sensor*

**250-54022**  
HONDA 2003-Up  
*Air/Fuel Ratio Sensor*

**250-54028**  
LAND ROVER 2005-Up  
VOLVO 2002-Up  
*Air/Fuel Ratio Sensor*

**250-54023**  
ACURA 2005-2006  
HONDA 2004-Up  
*Air/Fuel Ratio Sensor*

**250-54029**  
MAZDA 2005-Up  
*Air/Fuel Ratio Sensor*

**250-54025**  
SUBARU 2004-Up  
*Air/Fuel Ratio Sensor*

**250-54031**  
SUBARU 2008  
*Air/Fuel Ratio Sensor*

**250-54026**  
VOLVO 1998-Up  
*Air/Fuel Ratio Sensor*

**250-54032**  
JAGUAR 1999-Up  
*Air/Fuel Ratio Sensor*



**250-54034**  
SUZUKI 2007-2008  
*Air/Fuel Ratio Sensor*

**250-54039**  
MAZDA 2006-2008  
*Air/Fuel Ratio Sensor*

**250-54035**  
INFINITI 2007-2008  
NISSAN 2007-2008  
*Air/Fuel Ratio Sensor*

**250-54040**  
HONDA 2006-Up  
*Air/Fuel Ratio Sensor*

**250-54036**  
INFINITI 2008  
*Air/Fuel Ratio Sensor*

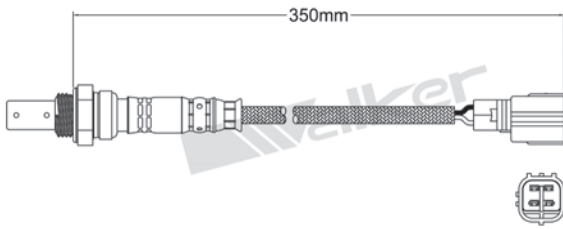
**250-54041**  
HONDA 2005-Up  
*Air/Fuel Ratio Sensor*

**250-54037**  
INFINITI 2007-2008  
NISSAN 2007-Up  
*Air/Fuel Ratio Sensor*

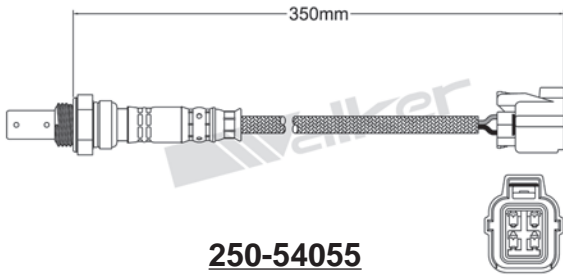
**250-54051**  
TOYOTA 2001-2002  
*Air/Fuel Ratio Sensor*

**250-54038**  
ACURA 2007-2008  
*Air/Fuel Ratio Sensor*

**250-54052**  
TOYOTA 2001-2002  
*Air/Fuel Ratio Sensor*



**250-54054**  
LEXUS 1999-2003  
*Air/Fuel Ratio Sensor*



**250-54055**  
HONDA 1999-2002  
*Air/Fuel Ratio Sensor*





### Oxygen Sensor Socket

Standard Oxygen Sensors  
6 Point With 25/32" Wire Opening

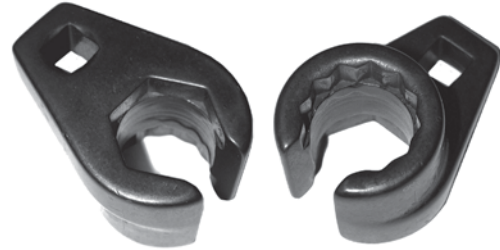


#### **#823**

Fits 7/8" or 22mm  
3/8" Drive

### Oxygen Sensor Wrench

12 & 6 Point



#### **#829**

Includes a 12 point and 6 point socket giving the technician the ultimate tool to remove oxygen sensors in confined areas.

The 12 point side enables the technician twice the number of clock angle attachment positions. This gives the technician the maximum accessibility to remove oxygen sensors in difficult areas.

The 6 point side provides the technician the maximum holding power for oxygen sensors that are corroded in place.

The new beefy design is 25% stronger.

Fits with all configurations of oxygen sensor wire/connectors.

### Oxygen Sensor Wrench

12 & 6 Point 2 1/8" Offset



#### **#830**

Includes a 12 point and 6 point socket giving the technician the ultimate tool to remove oxygen sensors in confined areas.

The 12 point side enables the technician twice the number of clock angle attachment positions. This gives the technician the maximum accessibility to remove oxygen sensors in difficult areas.

The 6 point side provides the technician the maximum holding power for oxygen sensors that are corroded in place.

The new beefy design is 25% stronger.

Fits with all configurations of oxygen sensor wire/connectors.

Designed with additional offset enabling use on LTI Gen II 5.7L HO MPFI V-8 found in the 1992 and later Chevrolet Corvette, 1993 and later Camaro and 1993 and later Pontiac Firebird / Trans Am also 1989 and later Corvette ZR1 with the LT5 5.7L DOHC SFI V-8

### Oxygen Sensor Wrench

Shielded Applications



#### **#831**

This unique tool has been designed to R&R shielded oxygen sensors currently found on Toyota and Lexus vehicles.

The depth and outer diameter of the socket are critical features enabling it to fit in the limited space of the heat shield.

This tool features a 12 point double hex enabling the technician twice the number of clock angle attachment positions versus a 6 point design. For maximum strength this tool is forged chromolly steel and comes in a black finish.



**Oxygen Sensor Wrench**

Standard Oxygen Sensors



**#834**

Fits 7/8" or 22mm  
2" Overall Depth

**Oxygen Sensor Wrench**

6 Point With a 3/8" Drive  
1.2" Overall Depth



**#835**

The 6 point side provides the technician the maximum holding power for oxygen sensors that are corroded in place.

Fits with all configurations of oxygen sensor wire connectors.

**Oxygen Sensor Socket**

Standard Oxygen Sensors  
6 Point With 9/32" Wire Opening



**#836**

Fits 7/8" or 22mm  
3/8" Drive

**Oxygen Sensor Chaser**



**#837**

M18x1.5 Thread Chaser  
3/8" Drive

**Oxygen Sensor Bungs**



**90-164**  
O2 Sensor Bung



**90-164SS**  
O2 Sensor Bung  
Stainless Steel



**90-185**  
O2 Sensor Bung Plug



**90-184**  
O2 Sensor  
Stepped Bung



**90-184SS**  
O2 Sensor  
Stepped Bung  
Stainless Steel

**Thread Repair Kits**

Includes: 1 Tap, 1 Insert Tool, 6 Repair Inserts



**#832**  
O2 Sensor Bung  
Thread Repair Kit



**#833**  
O2 Sensor Bung  
Insert Kit  
Includes: 6- Repair Inserts



Walker

Walker

Walker







Walker

Walker

Walker





Walker

Walker

Walker